



US00D726023S

(12) **United States Design Patent**
Jouin

(10) **Patent No.:** **US D726,023 S**

(45) **Date of Patent:** **** Apr. 7, 2015**

(54) **MASCOT BOTTLE**

(71) Applicant: **Societe Anonyme des Eaux Minerales d'Evian**, Evian les Bains (FR)

(72) Inventor: **M. Frédéric Jouin**, L'Hay les Roses (FR)

(73) Assignee: **Societe Anonyme des Eaux Minerales d'Evian**, Evian les Bains (FR)

(**) Term: **14 Years**

(21) Appl. No.: **29/485,042**

(22) Filed: **Mar. 14, 2014**

(30) **Foreign Application Priority Data**

Jan. 28, 2014 (EM) 002393355-0001

(51) **LOC (10) Cl.** **09-01**

(52) **U.S. Cl.**
USPC **D9/614**

(58) **Field of Classification Search**
CPC B65D 67/00
USPC D7/514-515, 517, 519-520, 451;
D9/600, 614, 620, 623; 206/457, 527;
215/381-384, 400; D21/621, 625

See application file for complete search history.

(56) **References Cited**

U.S. PATENT DOCUMENTS

D241,224 S *	8/1976	Holmes	D9/620
D547,196 S *	7/2007	Lepoitevin	D9/614
D551,086 S *	9/2007	Lepoitevin	D21/623
D585,757 S *	2/2009	Lindsay	D9/614
D646,731 S *	10/2011	Stumpo	D21/621

* cited by examiner

Primary Examiner — Sandra Morris

(74) *Attorney, Agent, or Firm* — DLA Piper LLP (US); Gianni Minutoli

(57) **CLAIM**

The ornamental design for a mascot bottle, as shown and described.

DESCRIPTION

FIG. 1 is an isometric view of a bottle showing my new design;

FIG. 2 is a front view of the bottle;

FIG. 3 is a rear view of the bottle;

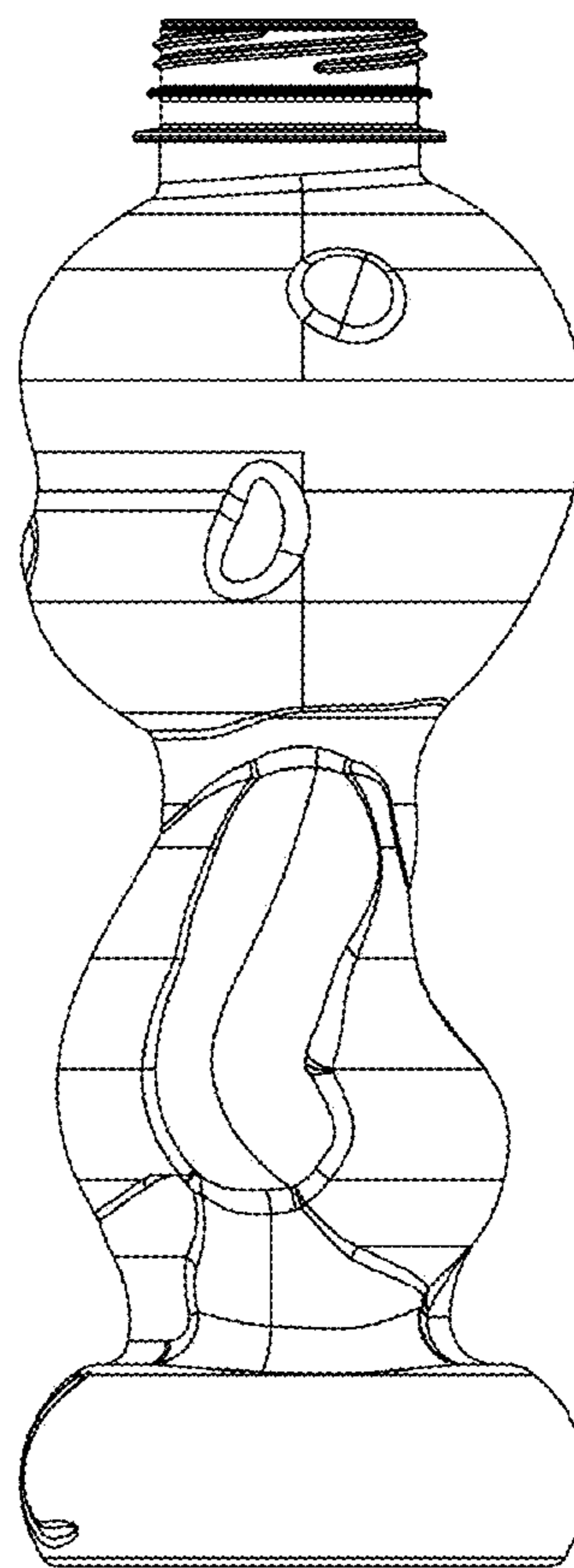
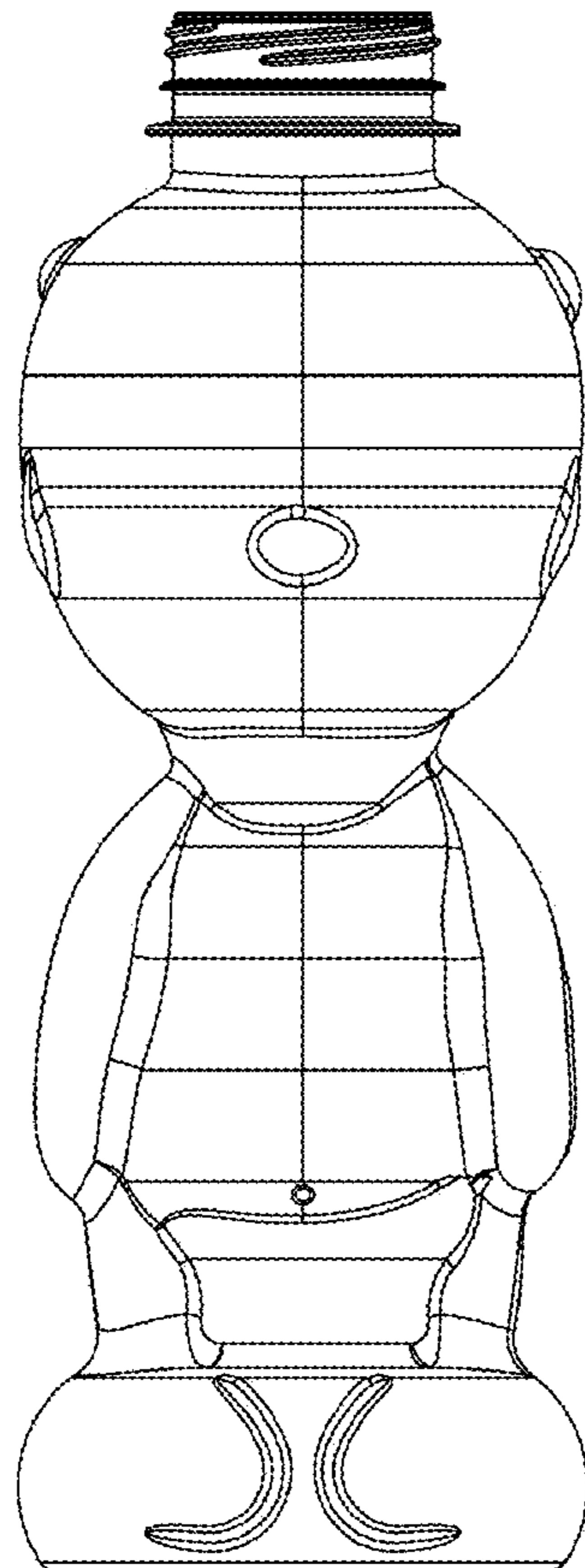
FIG. 4 is a left view of the bottle;

FIG. 5 is a right view of the bottle;

FIG. 6 is a top view of the bottle; and,

FIG. 7 is a bottom view of the bottle.

1 Claim, 7 Drawing Sheets



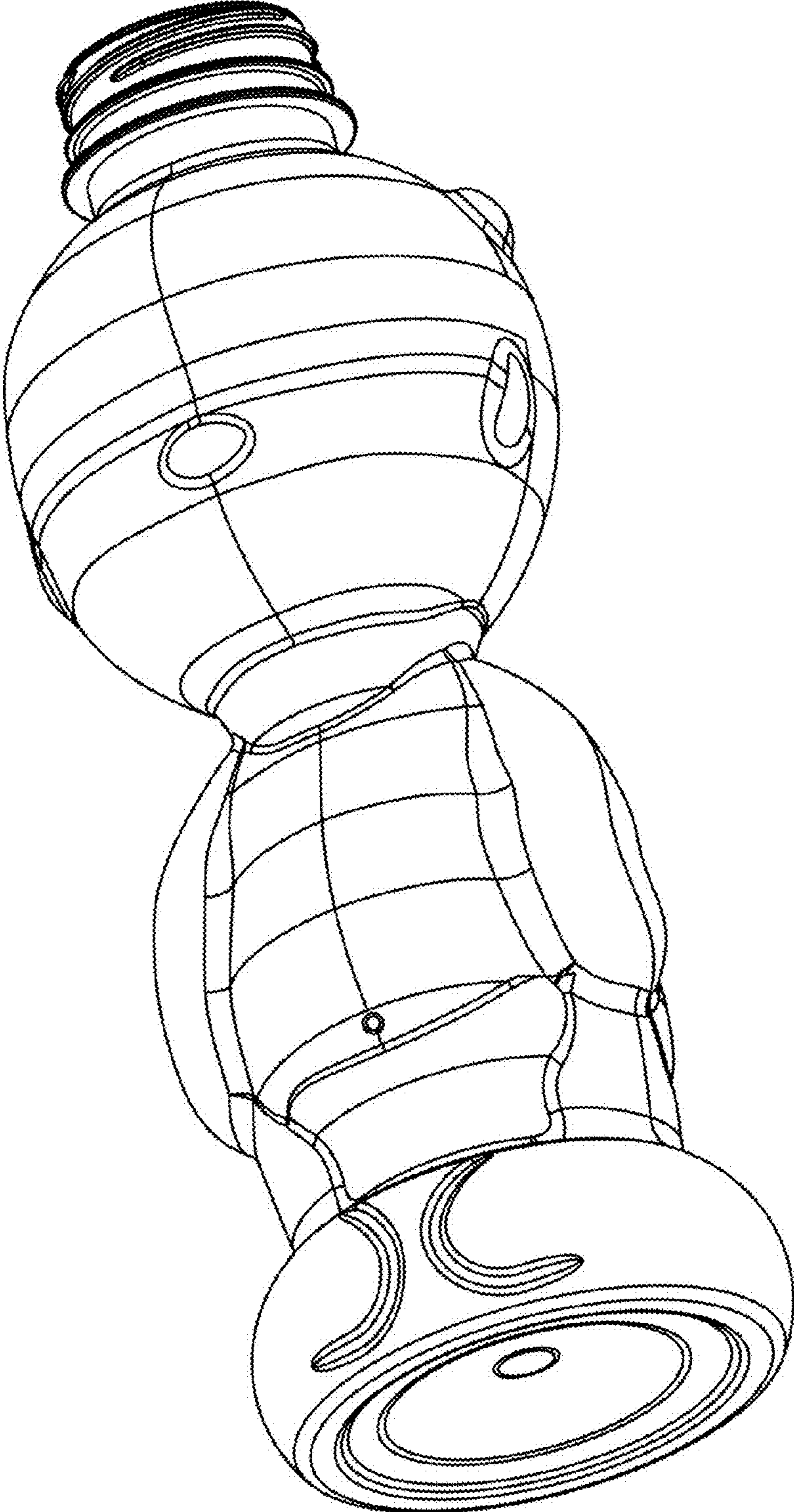


FIG. 1

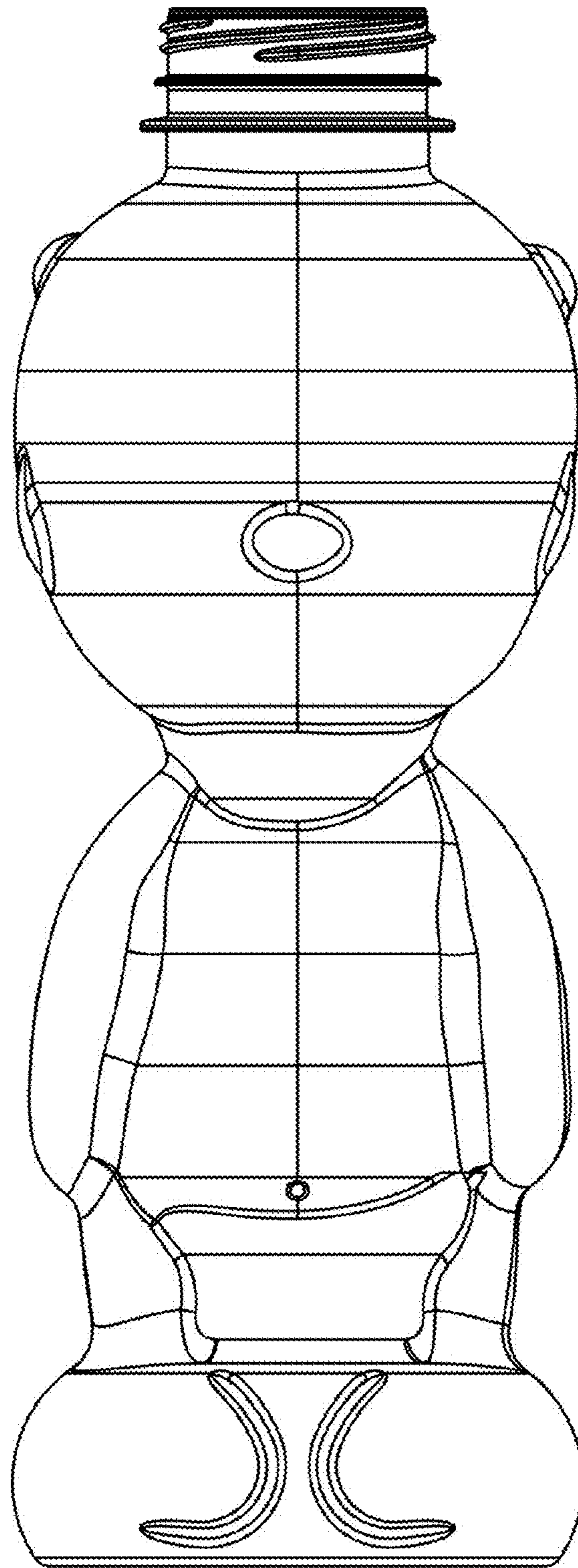


FIG. 2

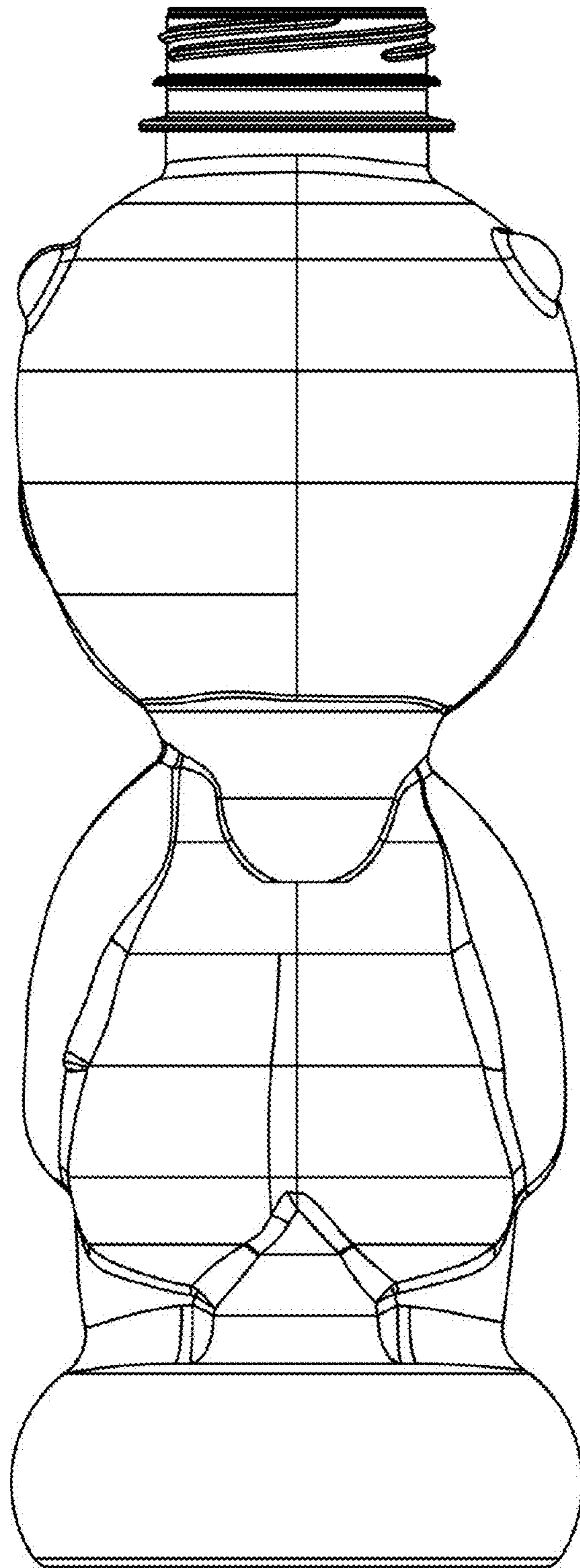


FIG. 3

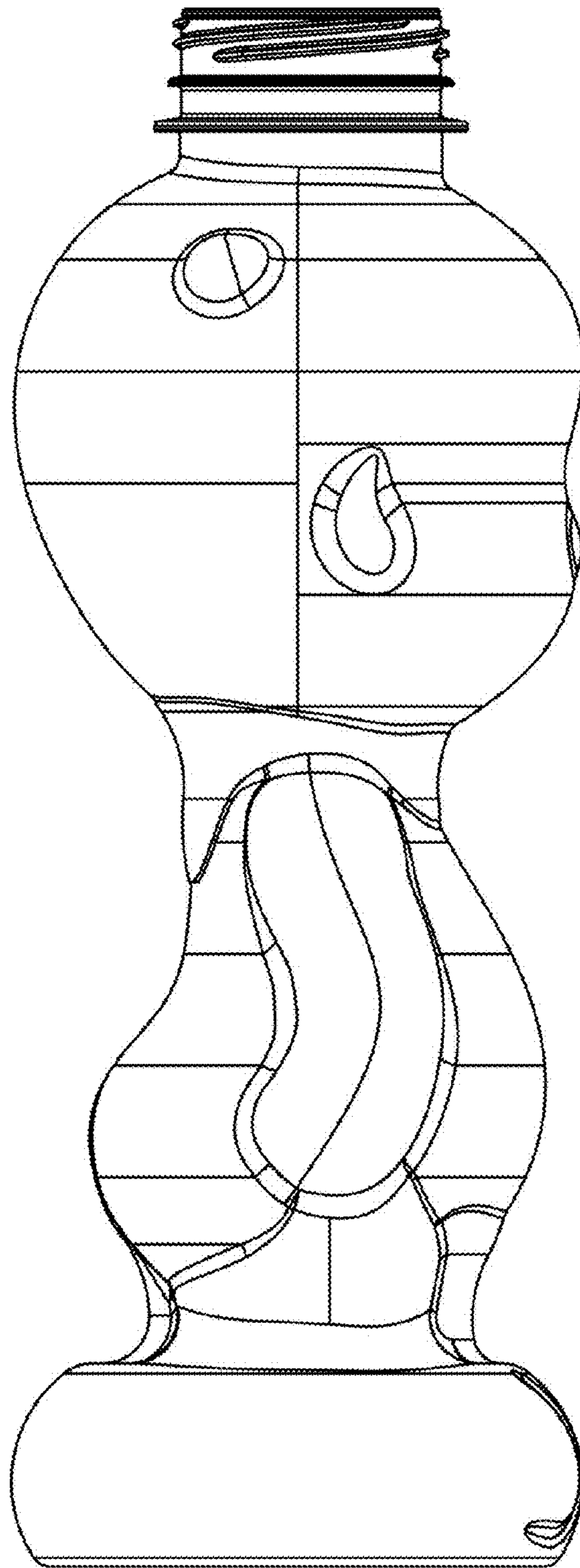


FIG. 4

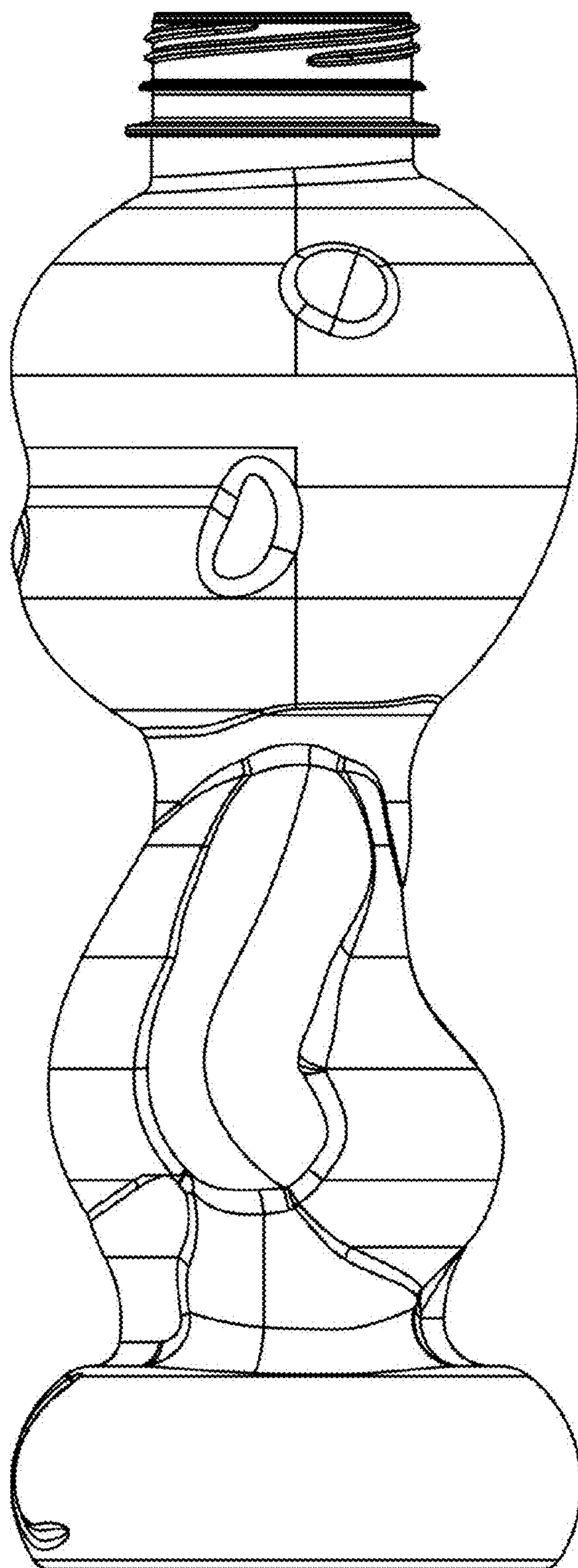


FIG. 5

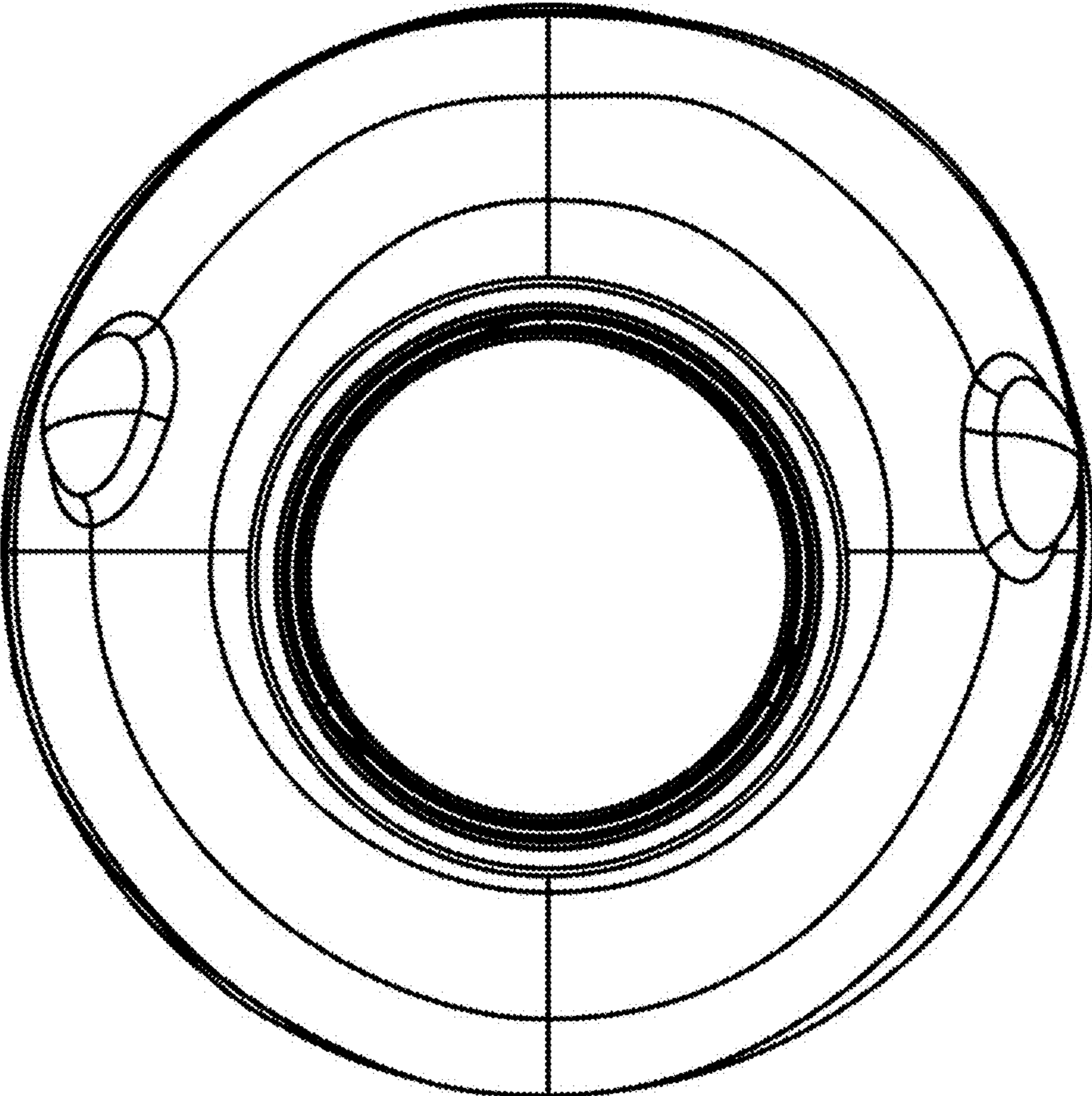


FIG. 6

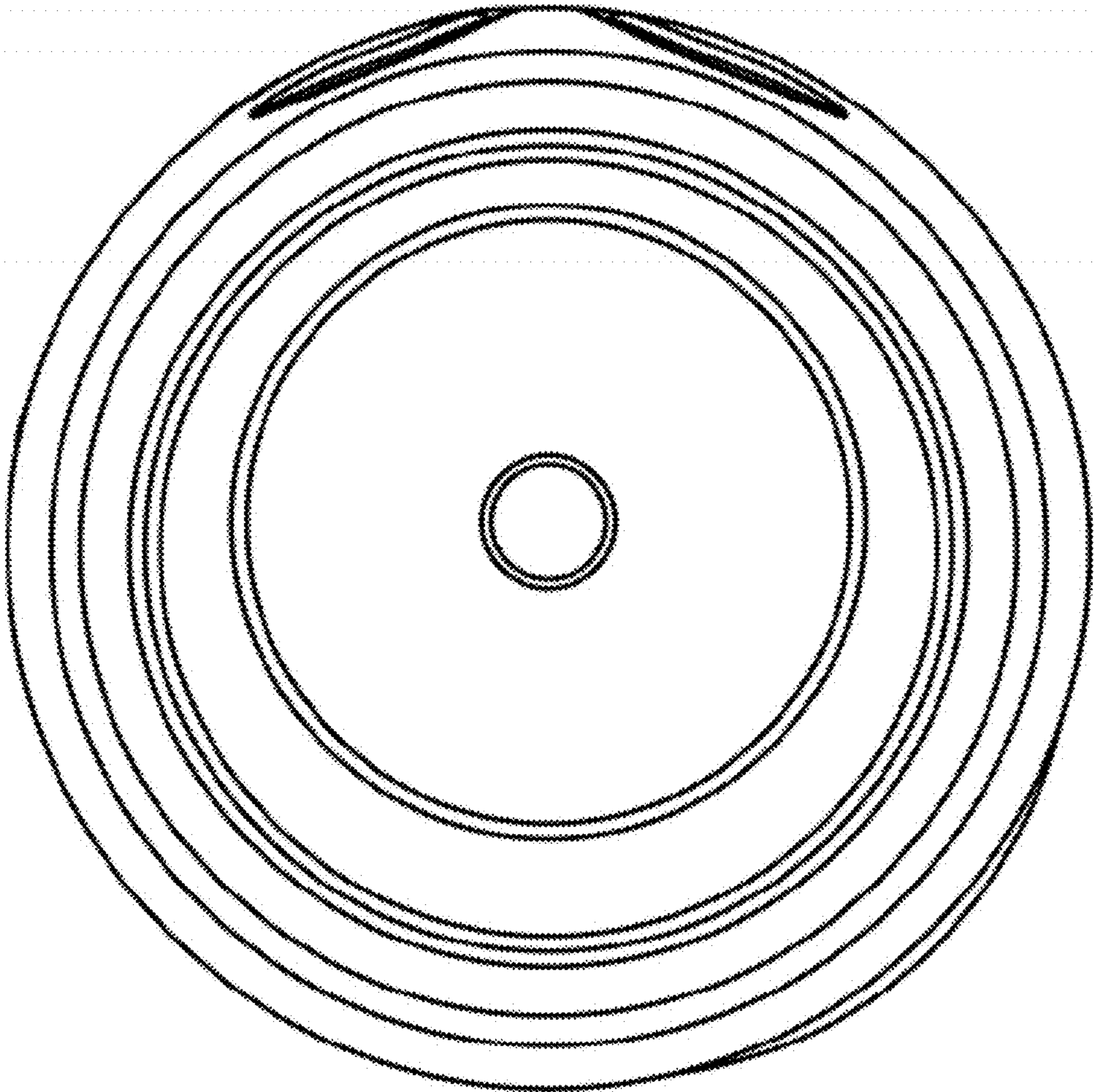


FIG. 7