

US00D726018S

(12) **United States Design Patent**
Archer

(10) **Patent No.:** **US D726,018 S**

(45) **Date of Patent:** **** Apr. 7, 2015**

(54) **WATER BOTTLE**

(71) Applicant: **Virgil L. Archer**, Englewood, CO (US)

(72) Inventor: **Virgil L. Archer**, Englewood, CO (US)

(**) Term: **14 Years**

(21) Appl. No.: **29/466,743**

(22) Filed: **Sep. 11, 2013**

(51) **LOC (10) Cl.** **09-01**

(52) **U.S. Cl.**
USPC **D9/531; D9/446**

(58) **Field of Classification Search**
USPC D7/509-511, 532, 533, 536; D9/446,
D9/531, 535, 540, 549, 557; 215/398;
220/771

See application file for complete search history.

(56) **References Cited**

U.S. PATENT DOCUMENTS

D221,885 S *	9/1971	Gruett	D15/150
D254,708 S *	4/1980	Mack	D9/718
D397,942 S *	9/1998	Lewis	D9/531
D512,874 S *	12/2005	Poulson et al.	D7/510

D536,929 S *	2/2007	Kingsley	D7/510
D552,476 S *	10/2007	Yelland	D9/538
D592,517 S *	5/2009	Brown	D9/531
D605,942 S *	12/2009	Mikovsky	D9/446
D651,854 S *	1/2012	Cabados	D7/511

* cited by examiner

Primary Examiner — Stella Reid

Assistant Examiner — Janice Lim

(74) *Attorney, Agent, or Firm* — Edwin H. Crabtree; Ramon L. Pizarro

(57) **CLAIM**

The ornamental design for a water bottle, as shown and described.

DESCRIPTION

FIG. 1 is a side perspective view of a water bottle, showing my new design, and the opposite side perspective view being a mirror image thereof;

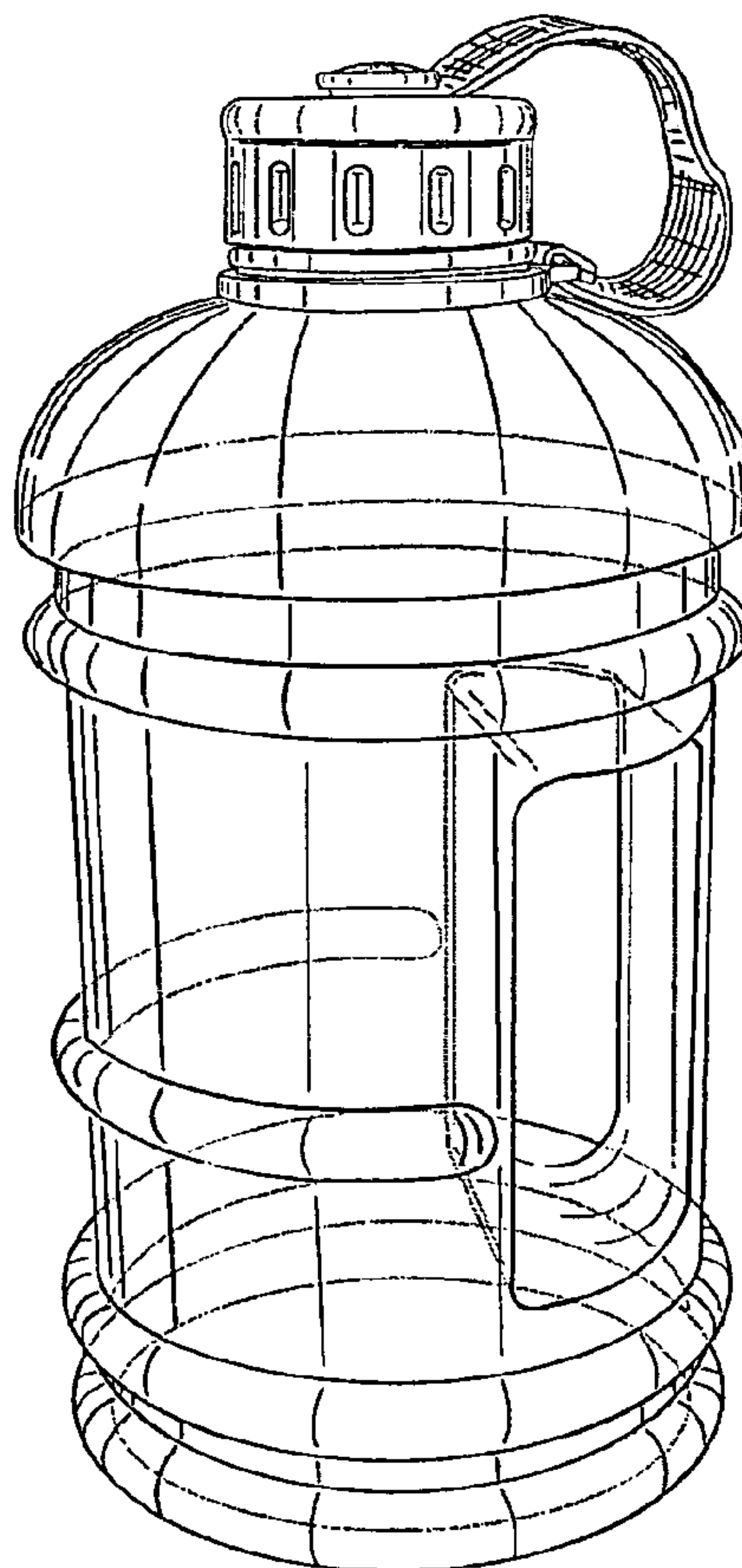
FIG. 2 is a rear perspective view thereof;

FIG. 3 is a front perspective view thereof;

FIG. 4 is a top view thereof; and,

FIG. 5 is a bottom view thereof.

1 Claim, 2 Drawing Sheets



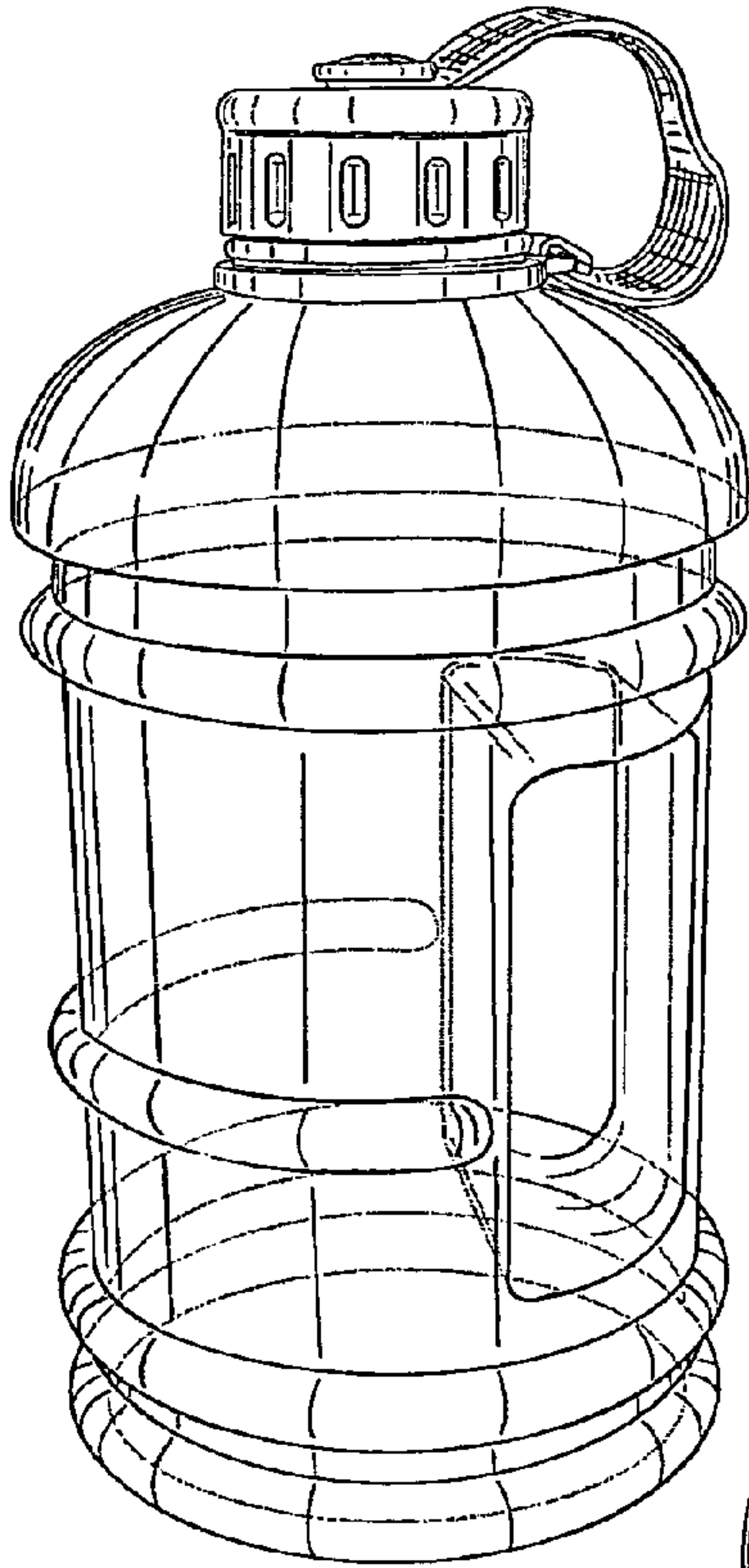


FIG. 1

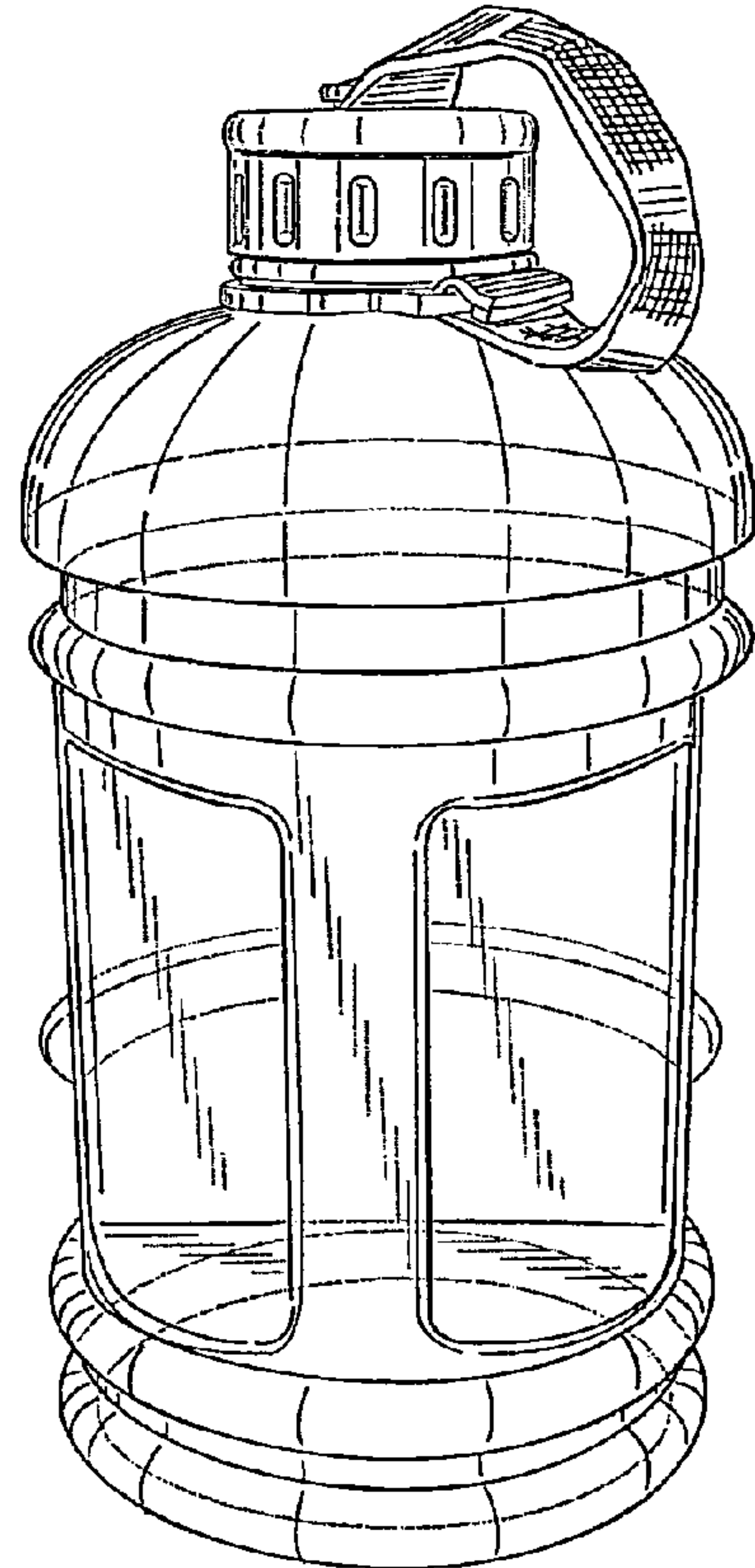


FIG. 2

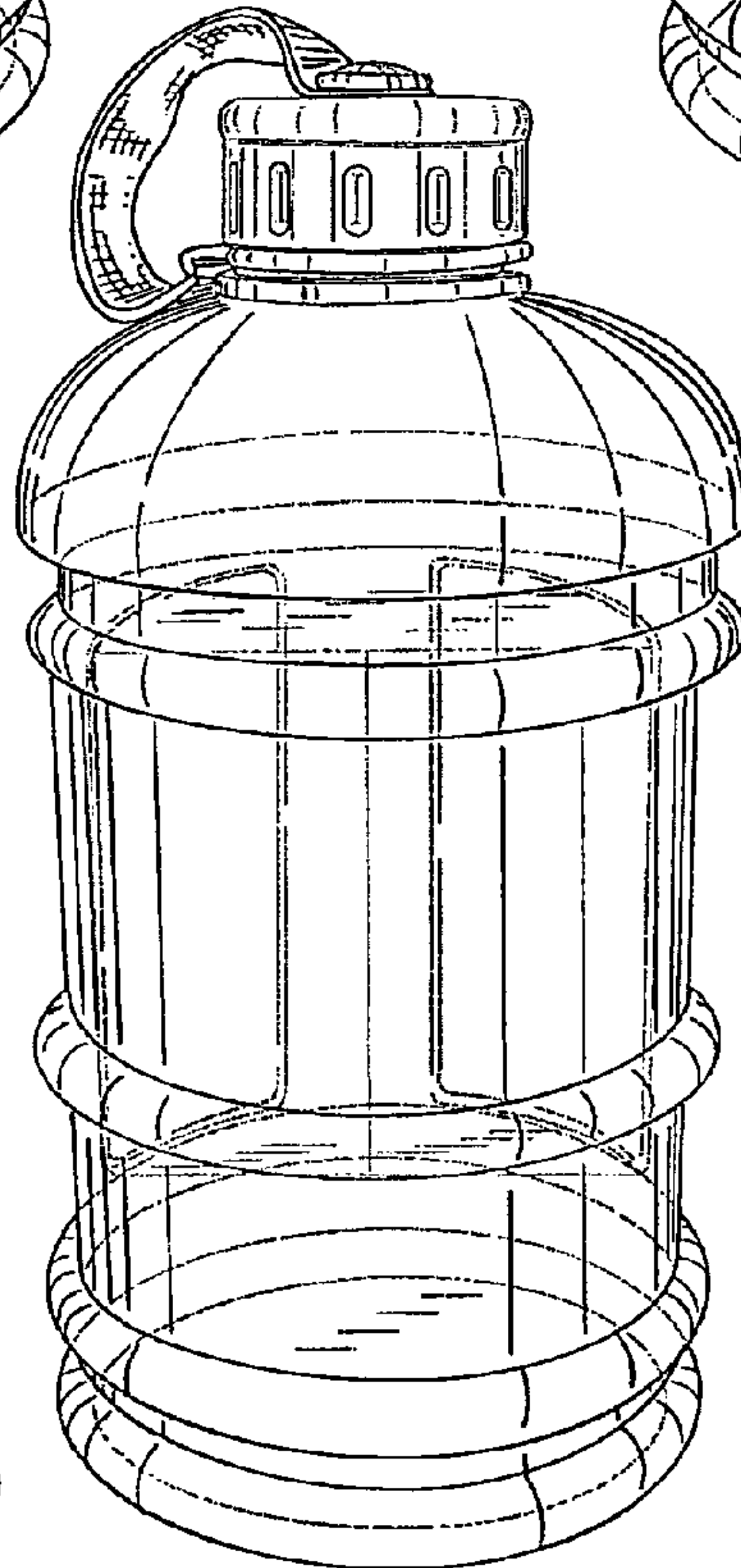


FIG. 3

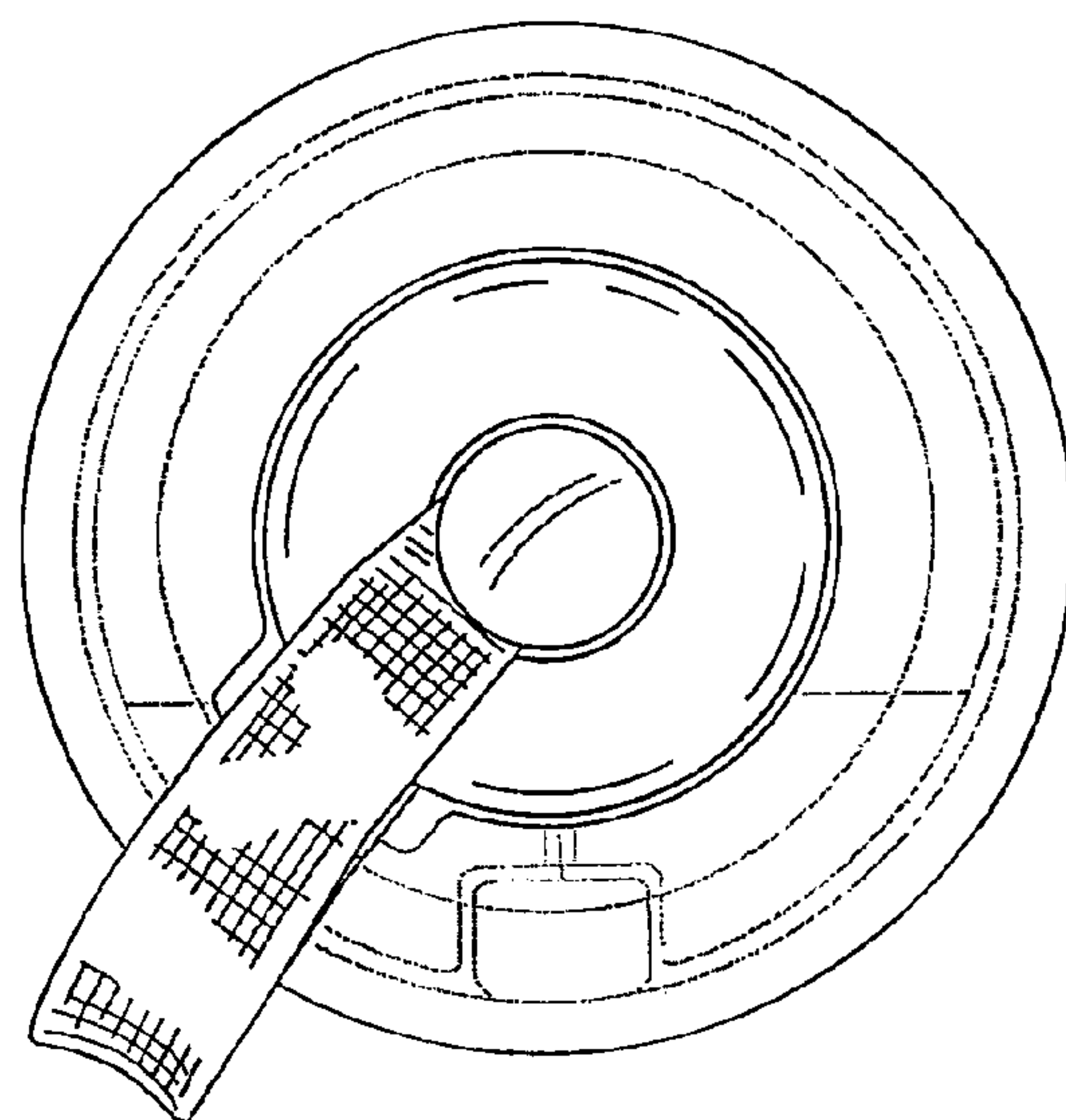


FIG. 4

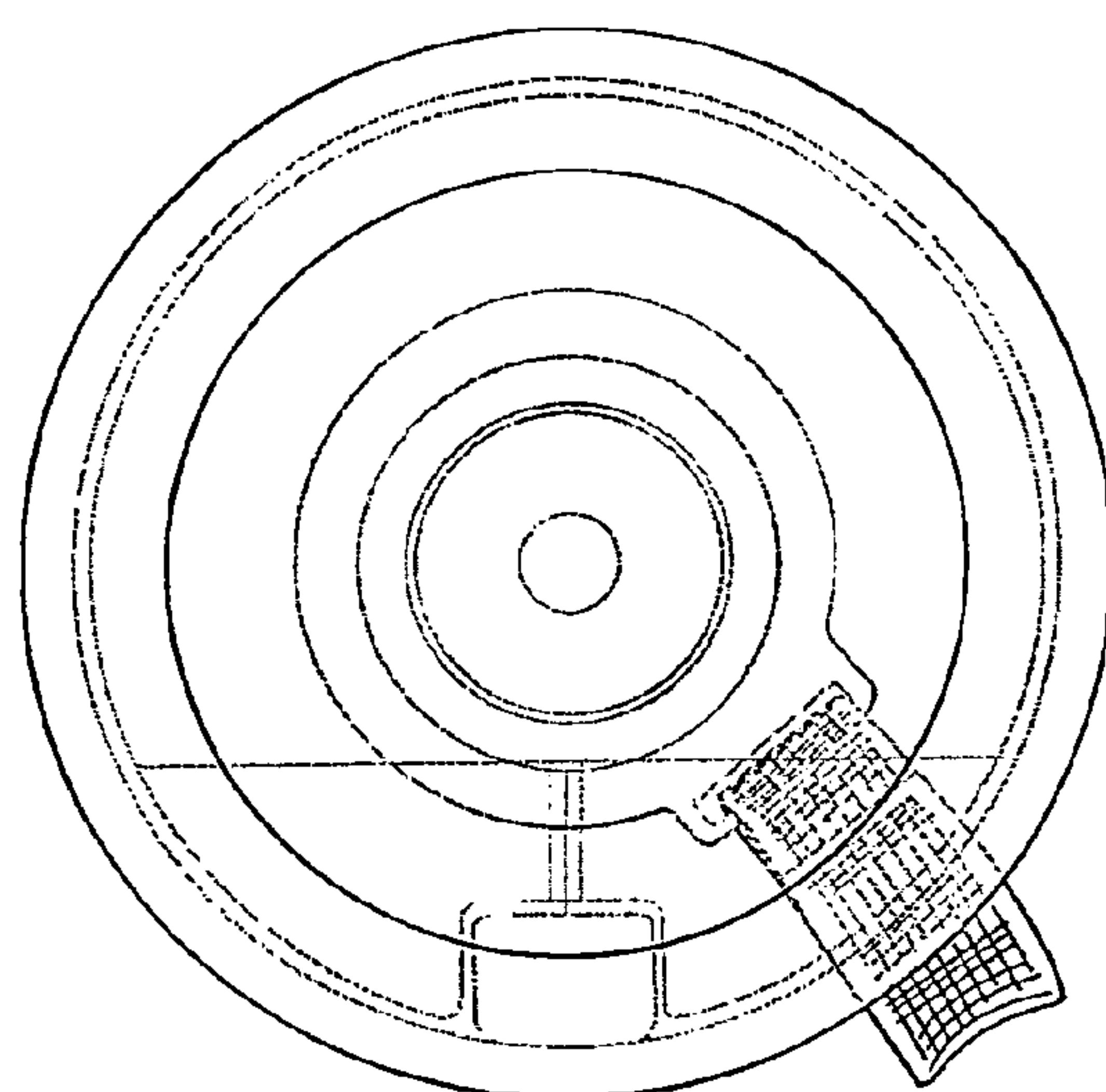


FIG. 5