

US00D726013S

(12) **United States Design Patent**  
**Hirst**

(10) **Patent No.:** **US D726,013 S**  
(45) **Date of Patent:** **\*\* Apr. 7, 2015**

(54) **BOTTLE**

(71) Applicant: **Finlandia Vodka Worldwide Ltd.**,  
Helsinki (FI)

(72) Inventor: **Kenneth Hirst**, New York, NY (US)

(73) Assignee: **Brown-Forman Finland, Ltd.**, Helsinki  
(FI)

(\*\*) Term: **14 Years**

(21) Appl. No.: **29/435,153**

(22) Filed: **Oct. 19, 2012**

(51) **LOC (10) Cl.** ..... **09-01**

(52) **U.S. Cl.**

USPC ..... **D9/522**; D9/563; D9/569; D9/575

(58) **Field of Classification Search**

CPC ..... B65D 1/00; B65D 1/02; B65D 1/0223;  
B65D 23/00; B65D 2501/00; B65D  
2501/0009; B65D 2501/0081

USPC ..... D9/516, 522-523, 530, 543-544, 559,  
D9/563, 567, 569, 571, 575, 715, 719;  
D3/202; 215/379, 381-383; 220/660,  
220/669, 675

See application file for complete search history.

(56) **References Cited**

**U.S. PATENT DOCUMENTS**

D17,696 S \* 9/1887 Warner ..... D9/544  
D92,501 S \* 6/1934 Steuer ..... D9/556

D207,745 S \* 5/1967 Linn ..... D9/563  
D240,800 S \* 8/1976 Jespersen ..... D9/563  
D309,876 S \* 8/1990 Mesnard ..... D11/157  
D592,958 S \* 5/2009 Perlmutter ..... D9/522

\* cited by examiner

*Primary Examiner* — Ian Simmons

*Assistant Examiner* — Dana L Meyrow

(74) *Attorney, Agent, or Firm* — Muncy, Geissler, Olds &  
Lowe, P.C.

(57) **CLAIM**

The ornamental design for a bottle, as shown and described.

**DESCRIPTION**

FIG. 1 is a front elevational view of a bottle showing my new design;

FIG. 2 is a rear elevational view of the bottle;

FIG. 3 is a left side view of the bottle;

FIG. 4 is a right side view of the bottle;

FIG. 5 is a top plan view of the bottle;

FIG. 6 is a bottom plan view of the bottle;

FIG. 7 is a cross-section taken along line 7-7 of FIG. 1;

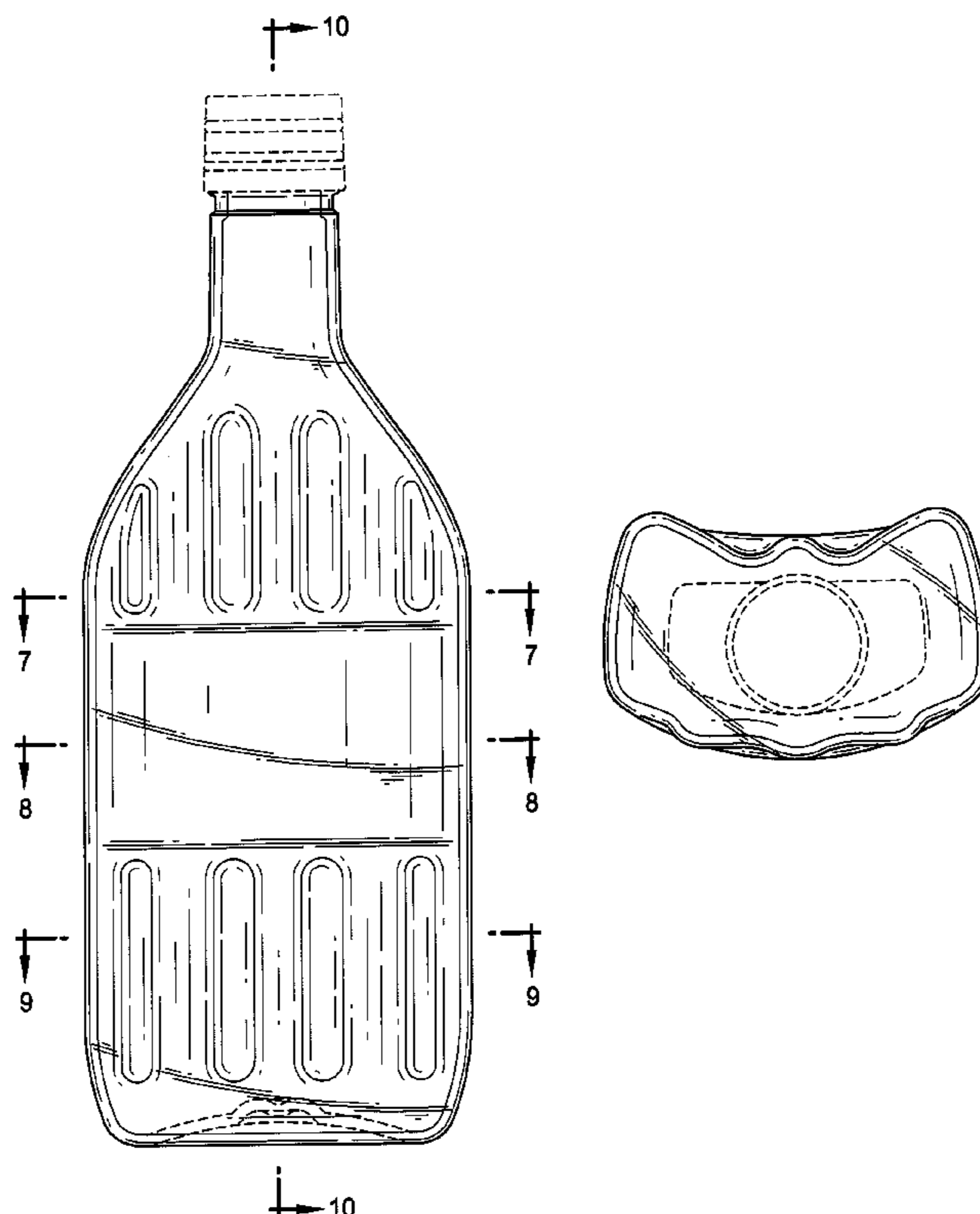
FIG. 8 is a cross-section taken along line 8-8 of FIG. 1;

FIG. 9 is a cross-section taken along line 9-9 of FIG. 1; and,

FIG. 10 is a cross-section taken along line 10-10 of FIG. 1.

The broken lines shown in the drawing views are included for the purpose of illustrating environmental structure and form no part of the claimed design.

**1 Claim, 7 Drawing Sheets**



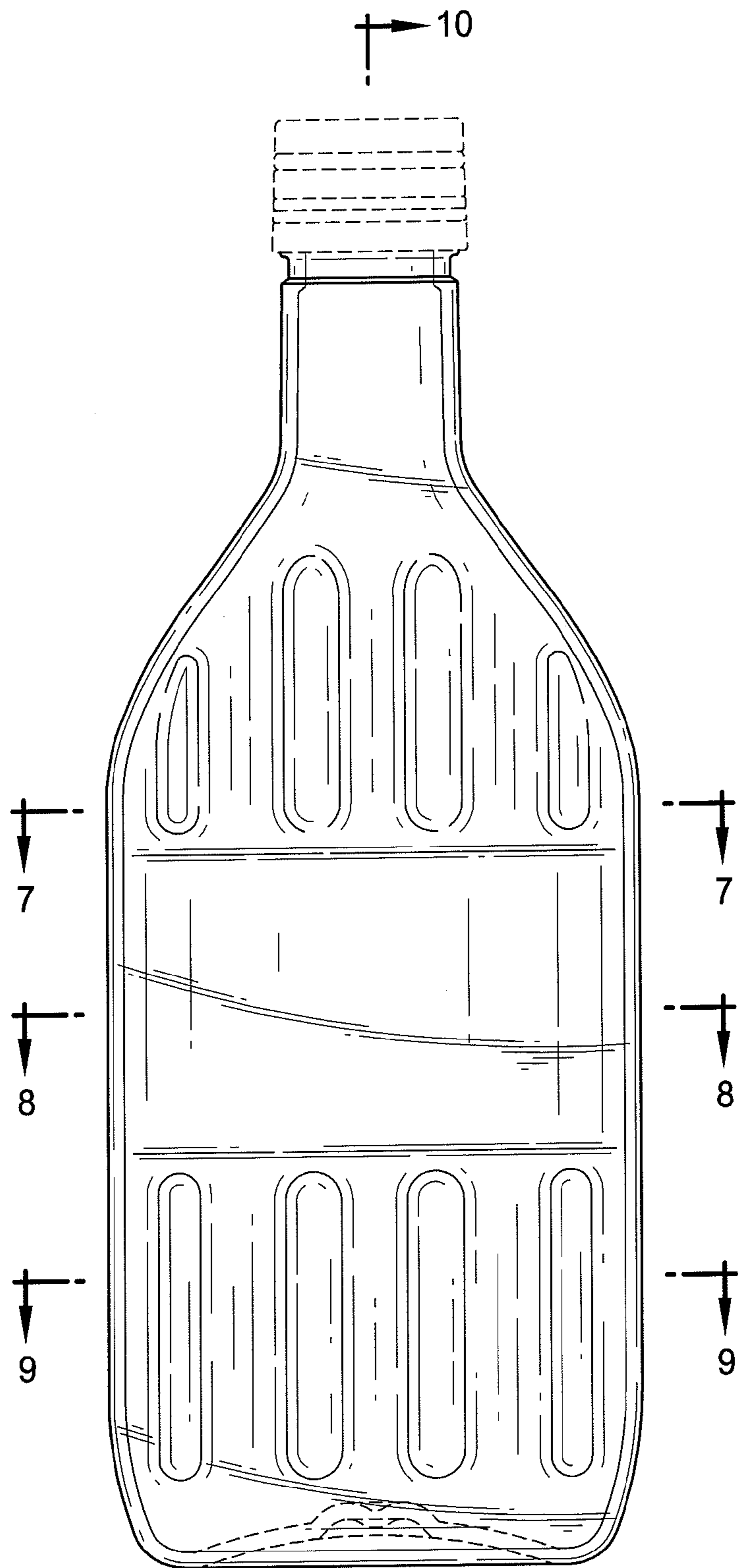


FIG. 1

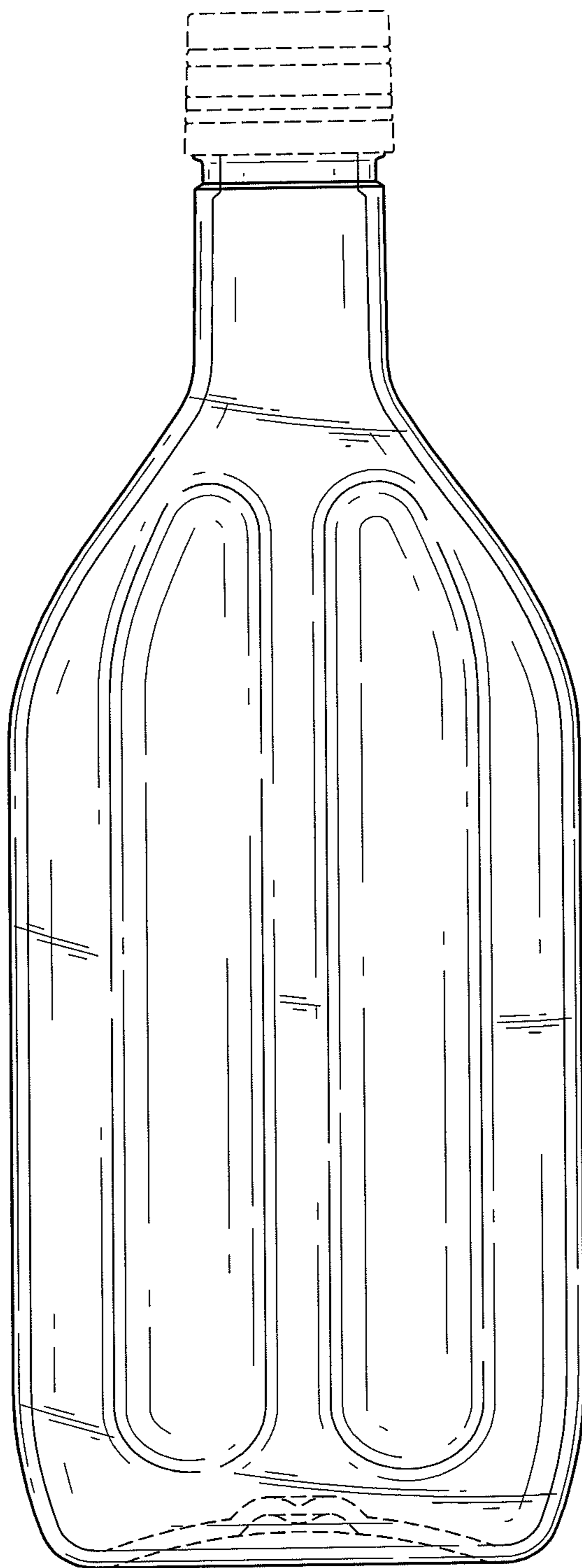


FIG.2

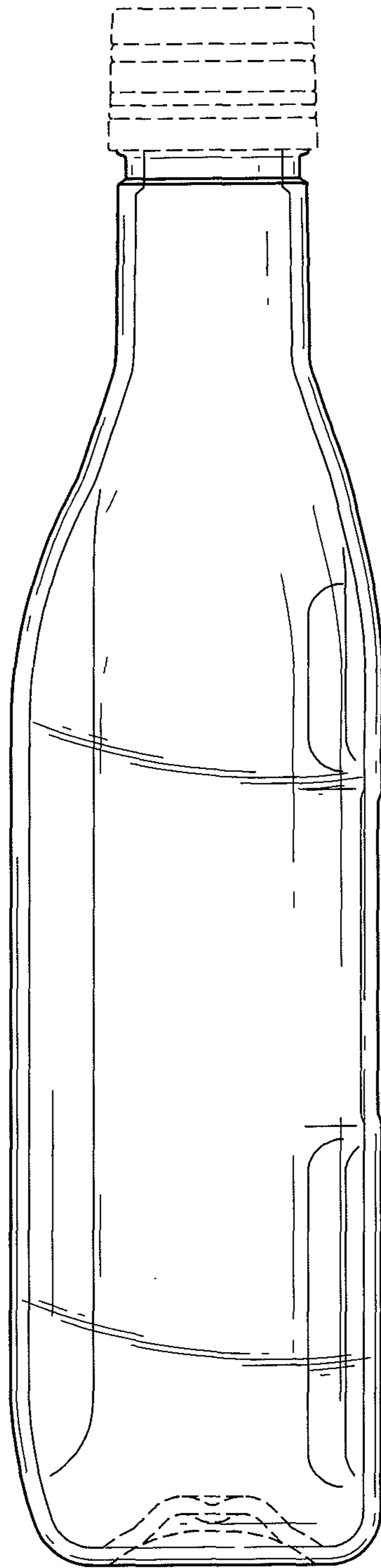


FIG. 3

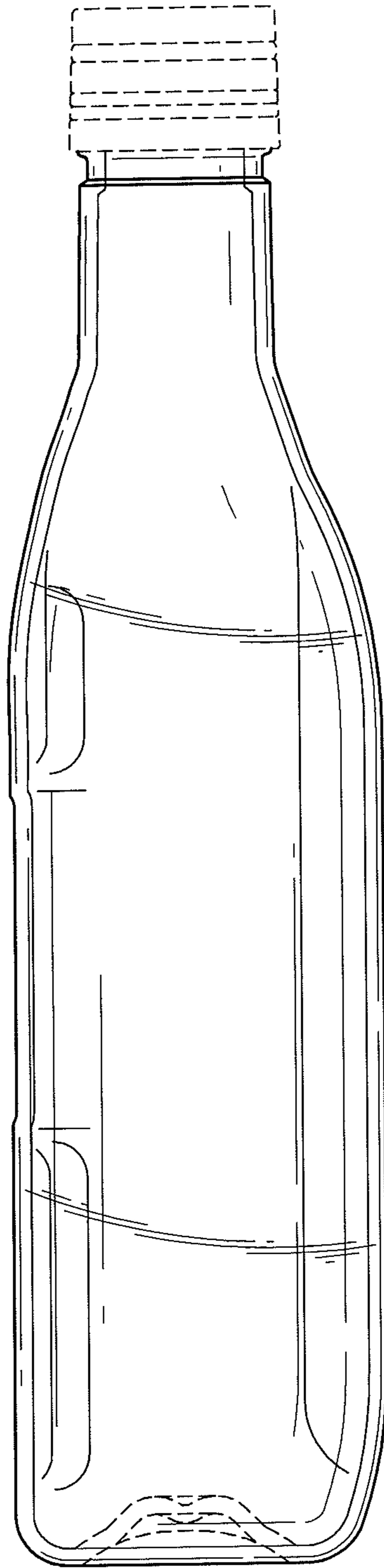


FIG.4

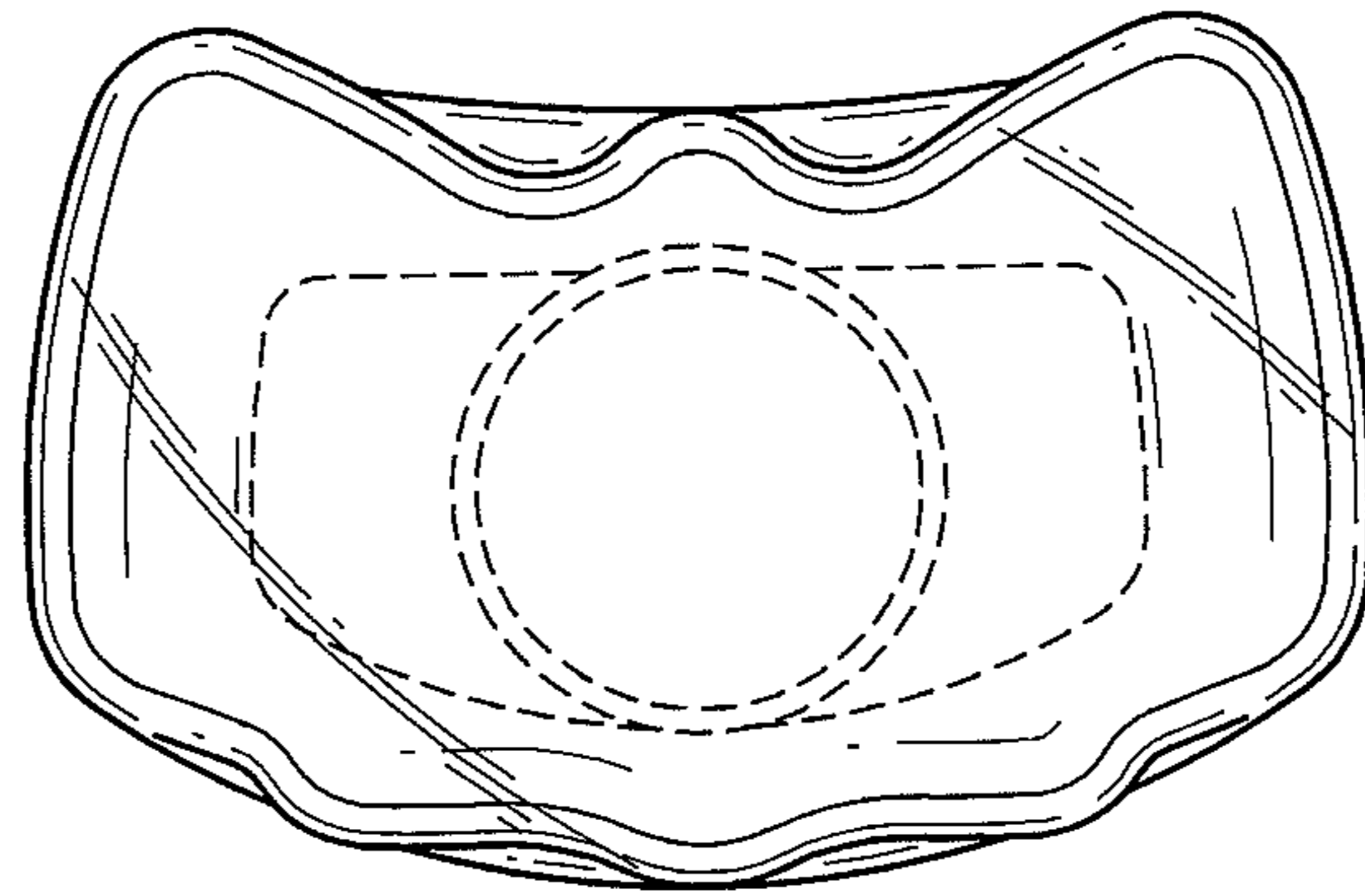


FIG. 5

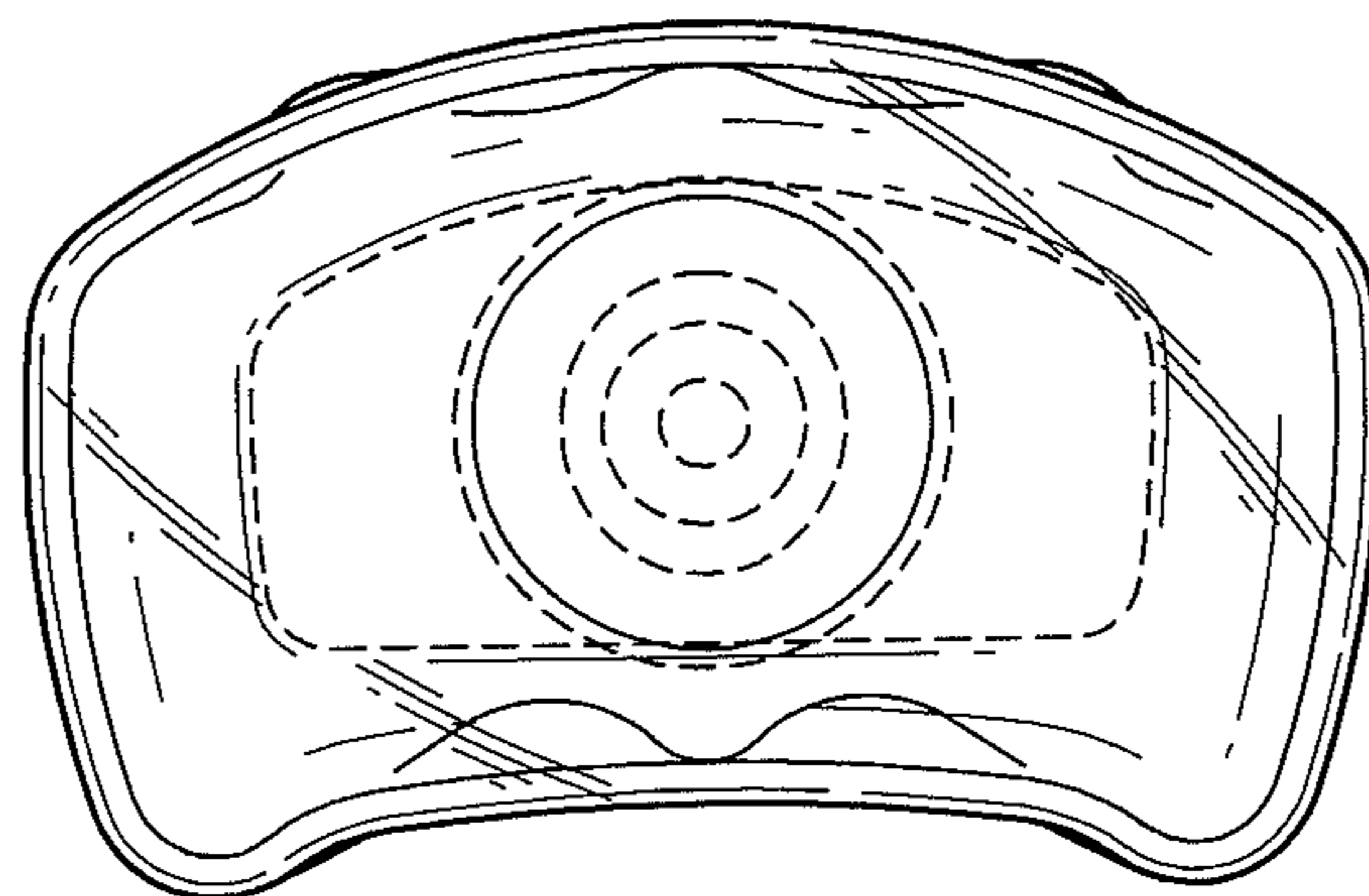


FIG. 6

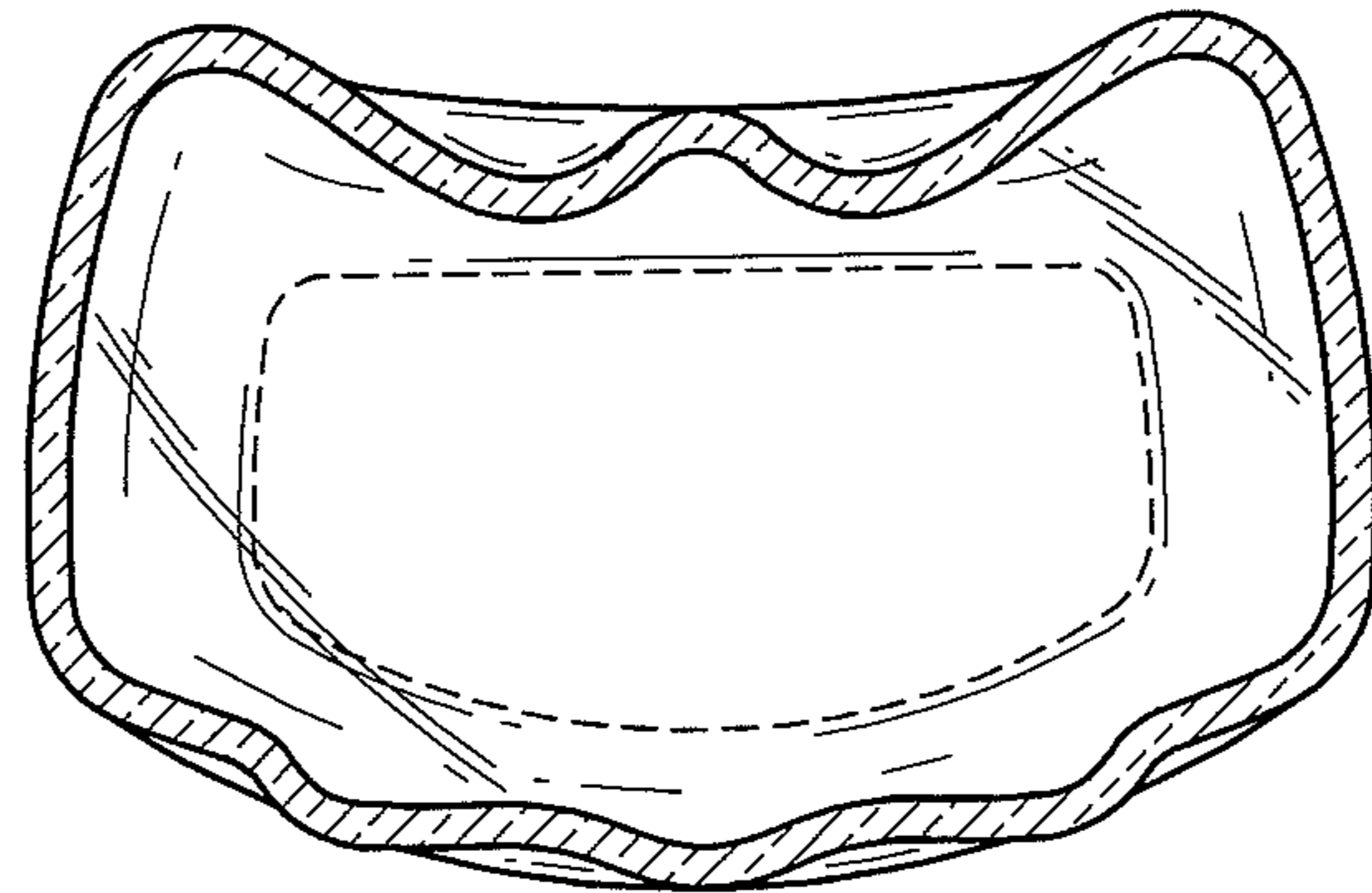


FIG. 7

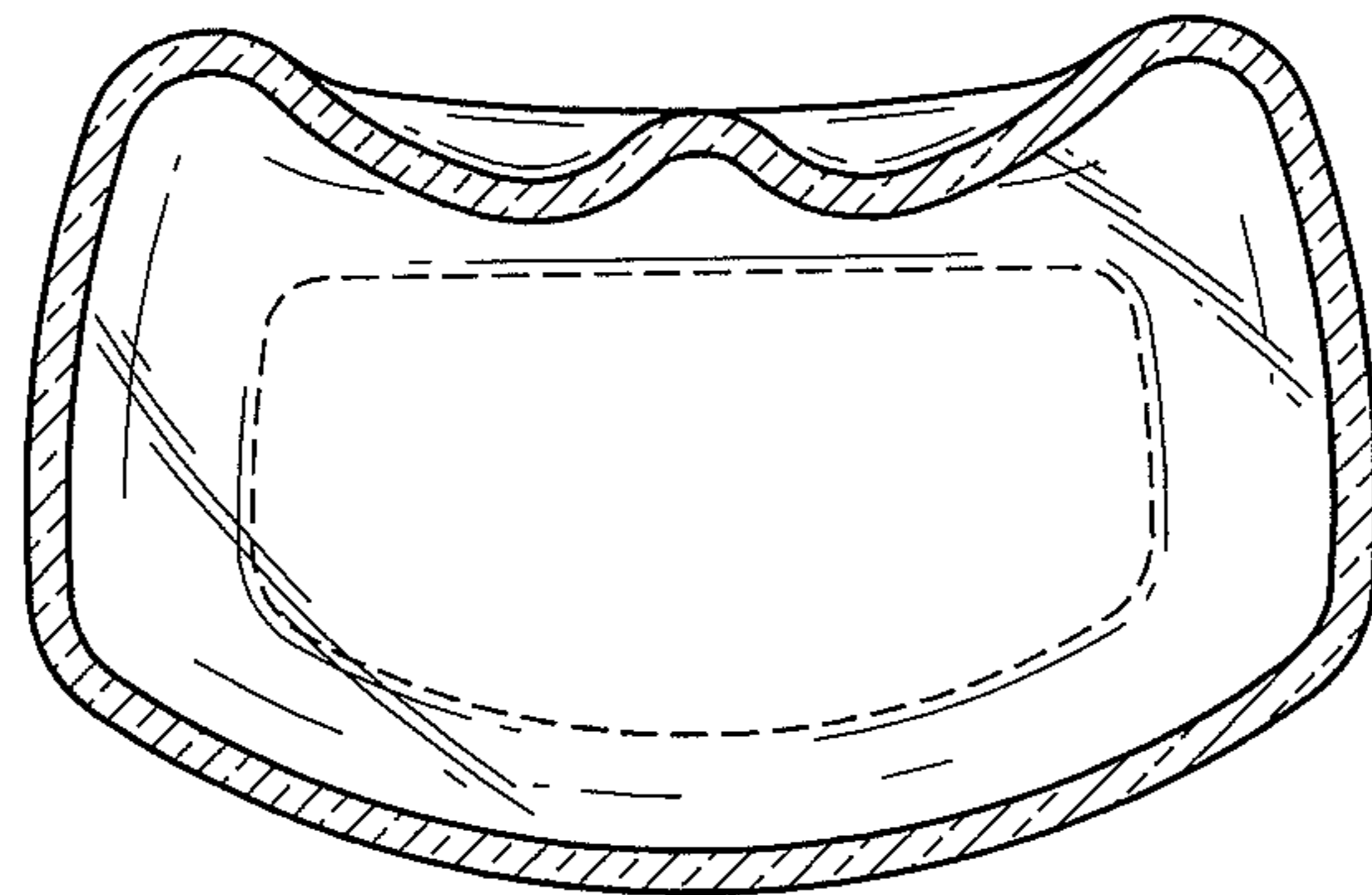


FIG. 8

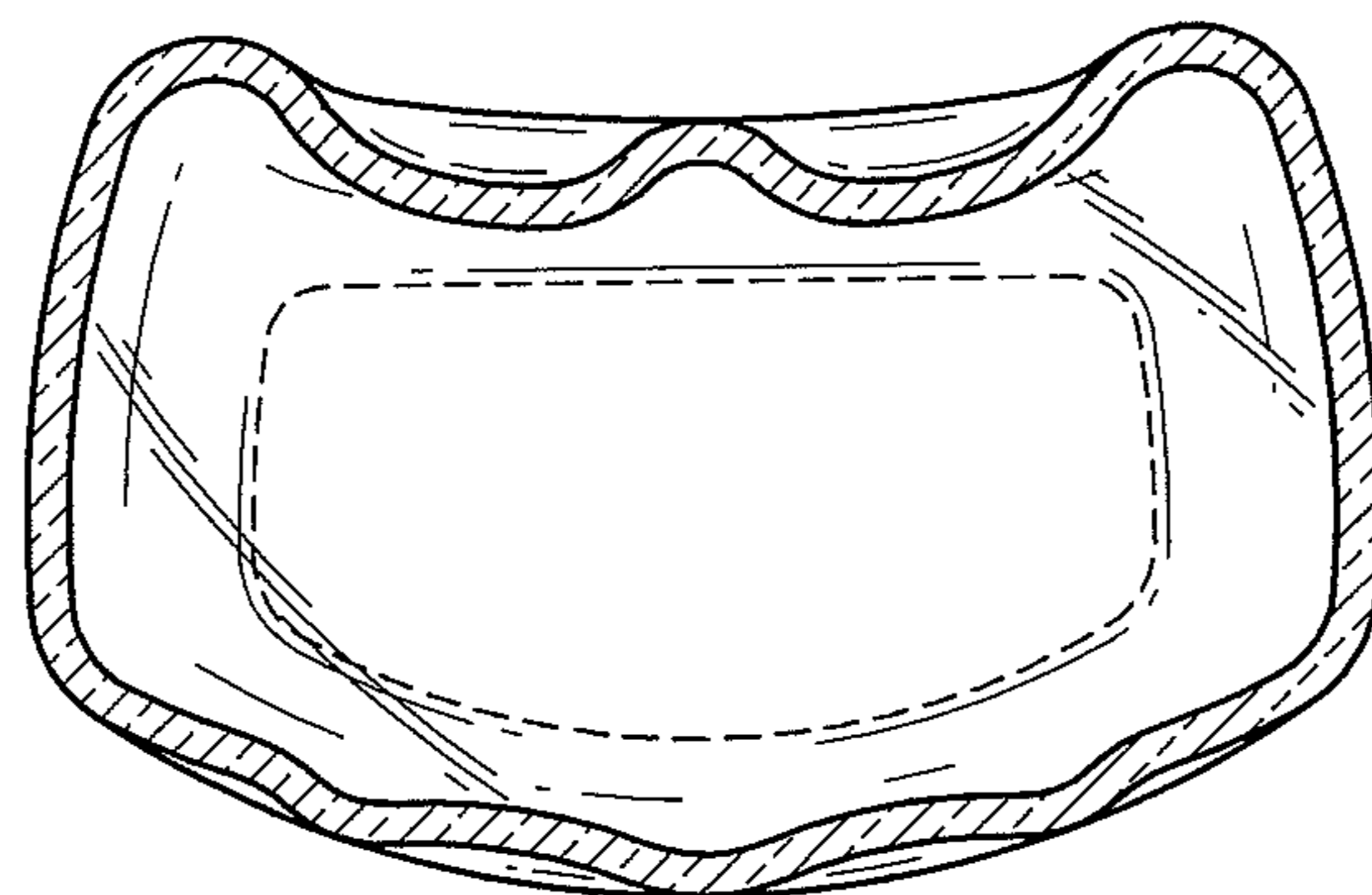


FIG. 9

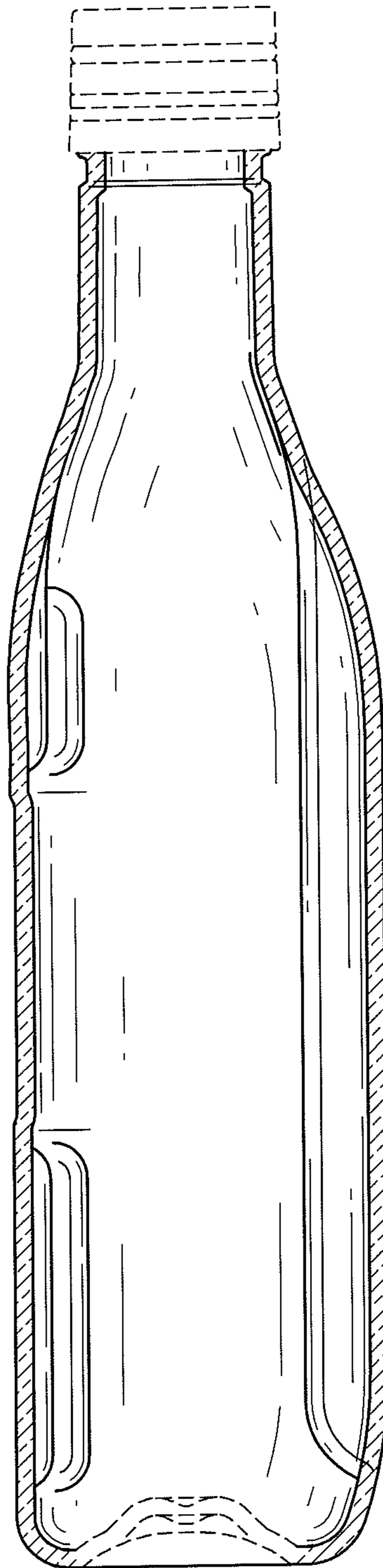


FIG.10