



US00D726009S

(12) **United States Design Patent**  
**Manne et al.**

(10) **Patent No.:** **US D726,009 S**  
(45) **Date of Patent:** **\*\* Apr. 7, 2015**

(54) **METAL CONTAINER**

(71) Applicant: **Silgan Containers LLC**, Woodland Hills, CA (US)

(72) Inventors: **Steven J. Manne**, Oconomowoc, WI (US); **Jianwen Hu**, Nashotah, WI (US); **Andrew W. Lakos**, Nashotah, WI (US)

(73) Assignee: **Silgan Containers LLC**, Woodland Hills, CA (US)

(\*\*) Term: **14 Years**

(21) Appl. No.: **29/472,552**

(22) Filed: **Nov. 13, 2013**

**Related U.S. Application Data**

(63) Continuation of application No. 29/440,048, filed on Dec. 18, 2012, now Pat. No. Des. 696,585.

(51) **LOC (10) Cl.** ..... **09-01**

(52) **U.S. Cl.**  
USPC ..... **D9/500**

(58) **Field of Classification Search**

CPC ..... B65D 1/00; B65D 1/02; B65D 1/0223;  
B65D 1/10; B65D 1/40; B65D 23/00; B65D  
2501/0009

USPC ..... D9/500, 502–505, 516, 537, 539, 549,  
D9/550, 558, 530, 540; 215/379, 381–384;  
220/660, 669–673, 675

See application file for complete search history.

(56) **References Cited**

**U.S. PATENT DOCUMENTS**

D26,065 S 9/1896 Jenkins  
D31,681 S \* 10/1899 Miller ..... D9/558  
D35,414 S 12/1901 Lorenz

1,014,536 A \* 1/1912 Takahashi ..... 215/245  
D86,037 S 1/1932 Lloyd  
D99,763 S 5/1936 Sansby  
D115,956 S \* 8/1939 Dennis ..... D9/558  
D230,710 S 3/1974 Purcell  
D236,429 S 8/1975 Strand  
D236,433 S \* 8/1975 Strand ..... D9/500

(Continued)

**OTHER PUBLICATIONS**

U.S. Appl. No. 29/440,048, filed Dec. 18, 2012, Manne et al.

(Continued)

*Primary Examiner* — Ian Simmons

*Assistant Examiner* — Dana L Meyrow

(74) *Attorney, Agent, or Firm* — Reinhart Boerner Van Deuren s.c.

(57) **CLAIM**

We claim the ornamental design for a metal container, as shown and described.

**DESCRIPTION**

FIG. 1 is a perspective view of a metal container showing our new design;

FIG. 2 is a front view of the claimed design of FIG. 1;

FIG. 3 is a left side view of the claimed design of FIG. 1;

FIG. 4 is a right side view of the claimed design of FIG. 1;

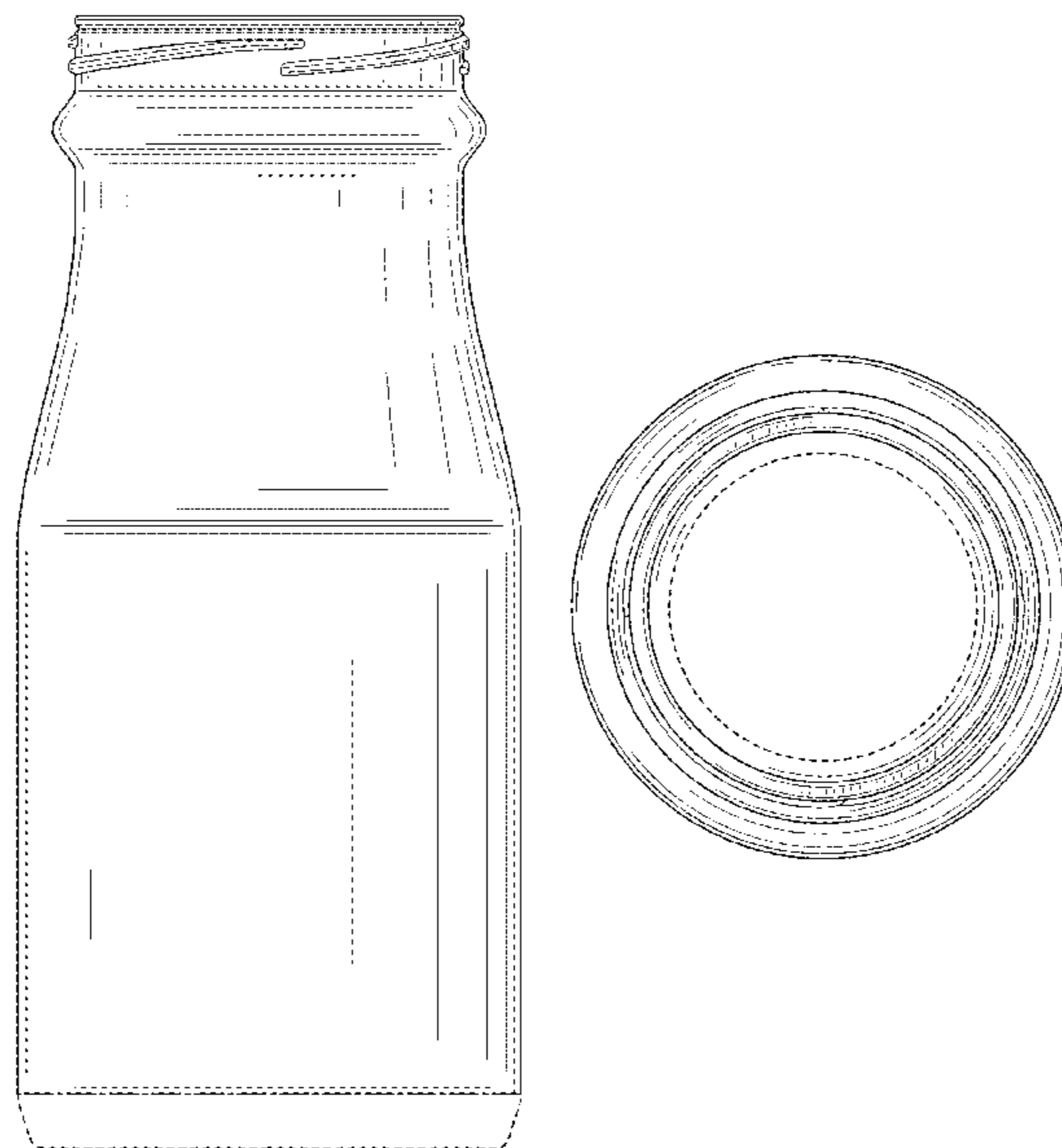
FIG. 5 is a rear view of the claimed design of FIG. 1;

FIG. 6 is a top plan view of the claimed design of FIG. 1; and,

FIG. 7 is a bottom plan view of the claimed design of FIG. 1.

The ornamental design which is claimed is shown in solid lines in the drawings. The dot-dash lines define boundaries of the claimed design and form no part thereof. The broken lines in the drawings are for illustrative purposes only and form no part of the claimed design.

**1 Claim, 6 Drawing Sheets**



(56)

**References Cited**

U.S. PATENT DOCUMENTS

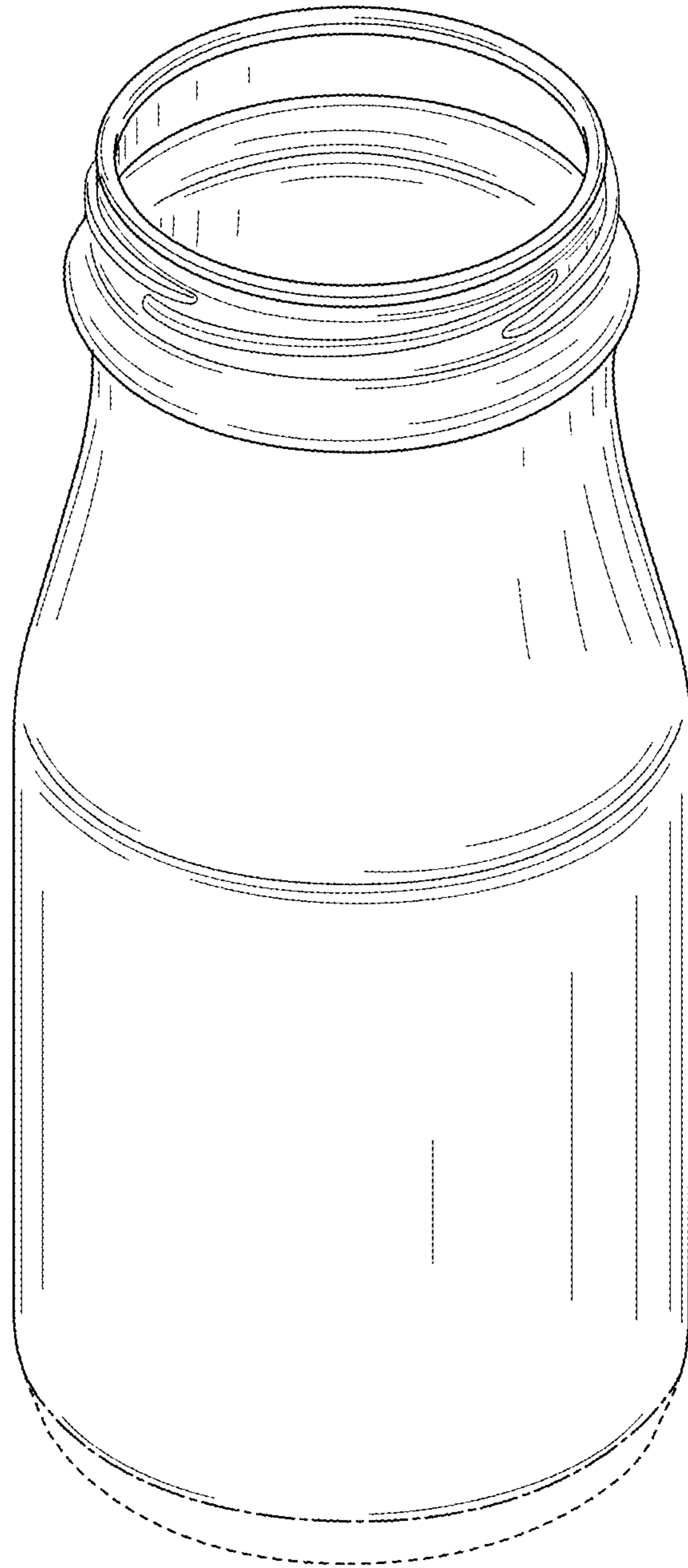
D240,591 S	7/1976	Kretz	
D242,527 S	11/1976	Plummer	
D247,471 S	3/1978	Strand	
D279,546 S	7/1985	Marcus	
D285,533 S	9/1986	Berish	
D373,729 S *	9/1996	Protheroe et al. ....	D9/500
D376,106 S	12/1996	Heckler	
D400,762 S	11/1998	Mecklenburg	
D411,712 S	6/1999	Mecklenburg	
D431,468 S	10/2000	Potts	
D484,743 S	1/2004	Furlong	
D516,424 S	3/2006	Schweigert et al.	
D529,762 S	10/2006	Schweigert et al.	
D536,976 S	2/2007	Ciulla et al.	
D536,986 S	2/2007	Nix et al.	
D569,734 S *	5/2008	Imperato et al. ....	D9/560
D571,661 S *	6/2008	Ulibarri .....	D9/500
D571,662 S	6/2008	Clark et al.	
D655,166 S	3/2012	Arand et al.	
D696,585 S *	12/2013	Manne et al. ....	D9/500

OTHER PUBLICATIONS

U.S. Appl. No. 29/440,049, filed Dec. 18, 2012, Manne et al.  
[www.starbucks.com/menu/drinks/bottled-drinks/bottled-frappuccino-mocha](http://www.starbucks.com/menu/drinks/bottled-drinks/bottled-frappuccino-mocha), website showing bottled coffee drink, believed to be

commercially available from Starbucks Corporation at least one year before Dec. 18, 2012, 2 pages.  
[www.slashfood.com/2007/04/25/starbucks-store-frappuccino-vs-coffee-shop-frappuccino/](http://www.slashfood.com/2007/04/25/starbucks-store-frappuccino-vs-coffee-shop-frappuccino/), website showing an image of a bottle believed to be available at least one year before Dec. 18, 2012, 9 pages.  
[www.mycnymommy.com/2010/06/100-starbucks-frappuccino-single-bottle.html](http://www.mycnymommy.com/2010/06/100-starbucks-frappuccino-single-bottle.html), website showing an image of a bottle believed to be available at least one year before Dec. 18, 2012, 4 pages.  
<http://caloriecount.about.com/calories-starbucks-coffee-frappuccino-mocha-flavor-i57214>, website showing an image of a bottle believed to be available at least one year before Dec. 18, 2012, 2 pages.  
<http://caloriecount.about.com/calories-starbucks-coffee-frappuccino-vanilla-flavor-i57215>, website showing an image of a bottle believed to be available before Dec. 18, 2012, 2 pages.  
<http://fatsmack.org/2011/11/food-equivalent-3/>, website showing an image of a bottle believed to be available at least one year before Dec. 18, 2012, 3 pages.  
[www.target.com/p/starbucks-coffee-frappuccino-coffee-drink-13-7-oz-bottle/-/A-12959301](http://www.target.com/p/starbucks-coffee-frappuccino-coffee-drink-13-7-oz-bottle/-/A-12959301), website showing image of a bottle believed to be available at least one year before Dec. 18, 2012, 2 pages.  
[www.meltingmama.net/wls/2009/06/starbucks-bottle-mocha-lite-frappuccino.html](http://www.meltingmama.net/wls/2009/06/starbucks-bottle-mocha-lite-frappuccino.html), website showing an image of a bottle believed to be available at least one year before Dec. 18, 2012, 4 pages.

\* cited by examiner



**FIG. 1**

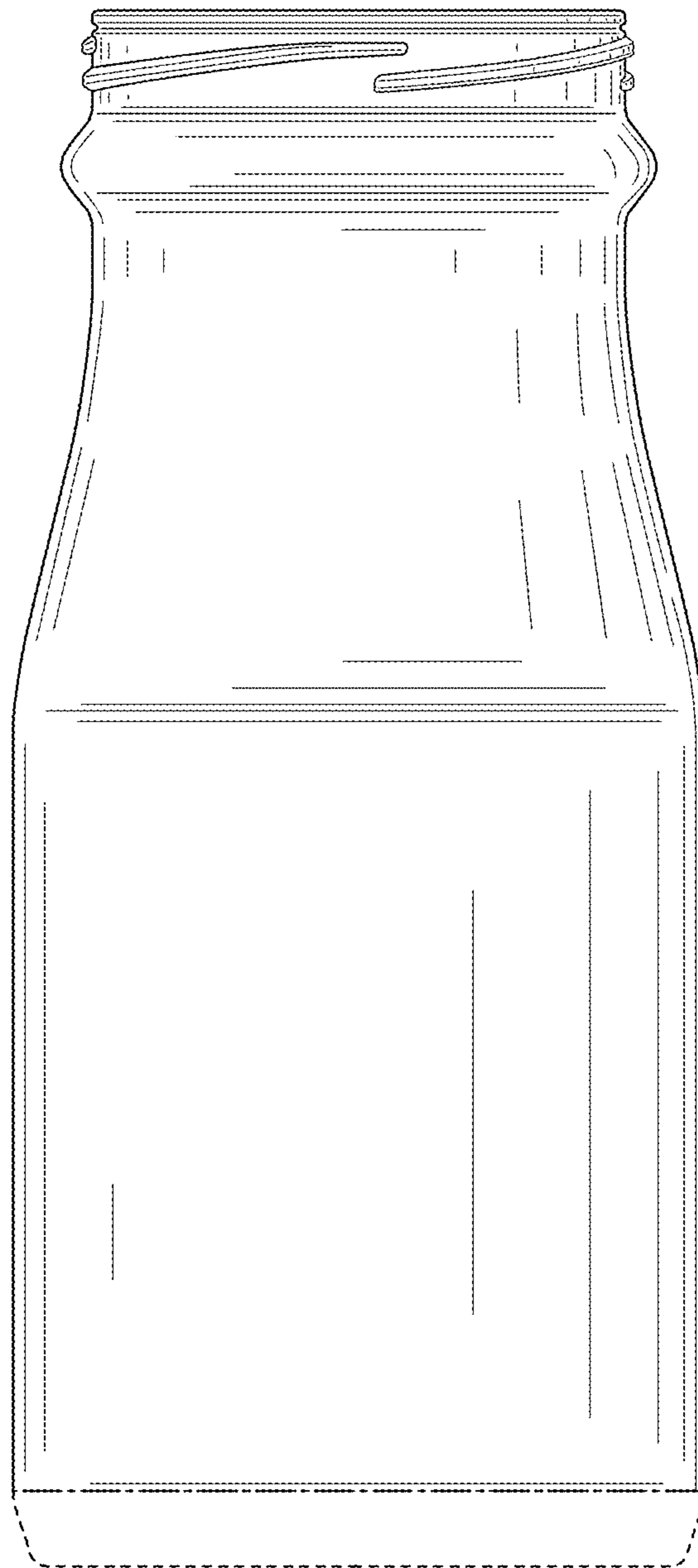
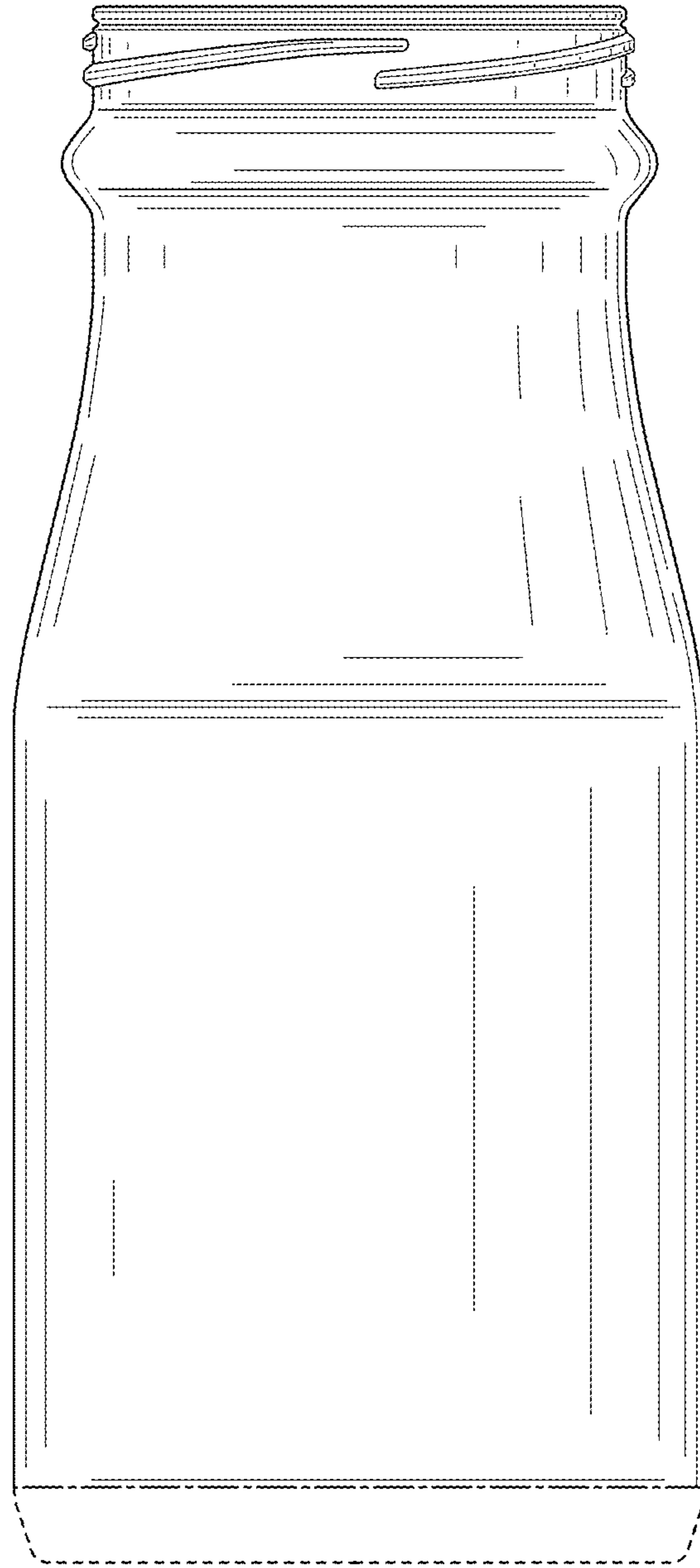


FIG. 2



**FIG. 3**

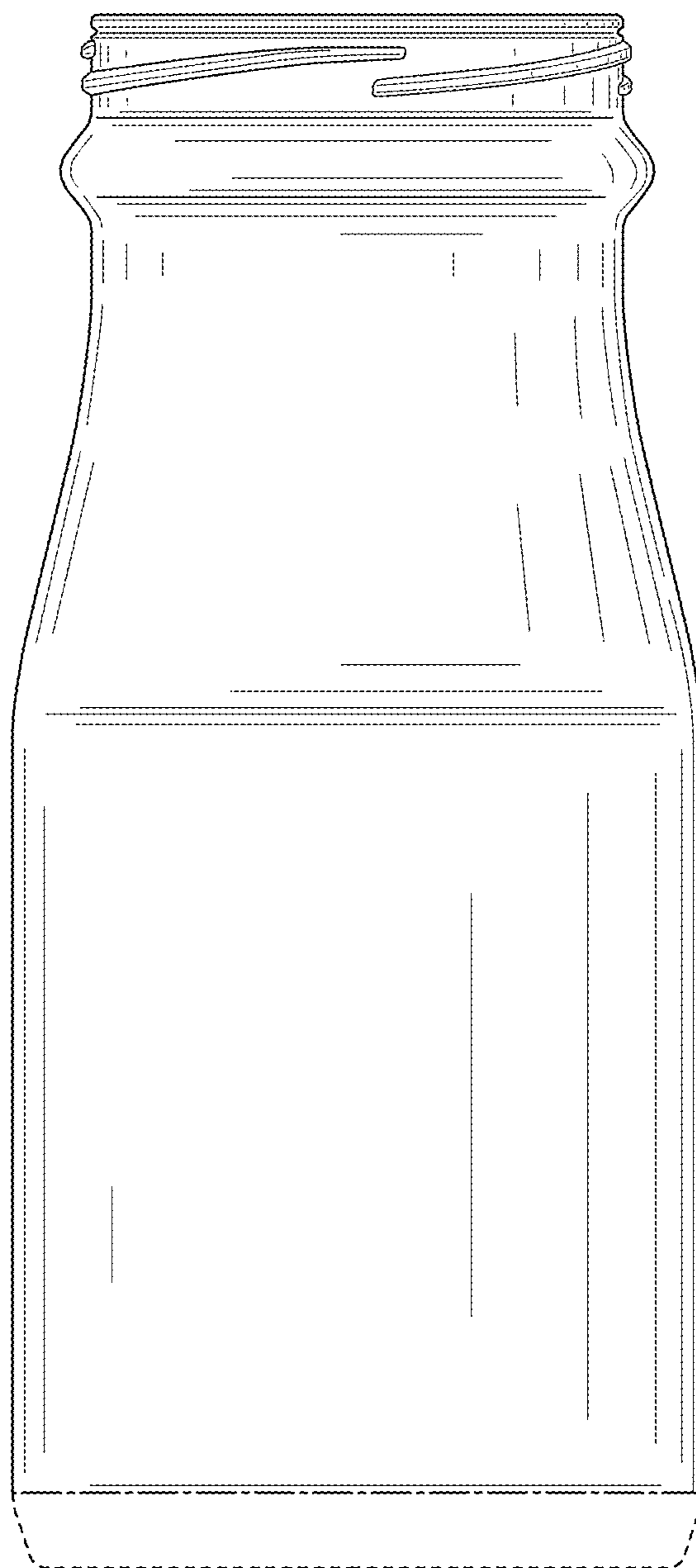


FIG. 4

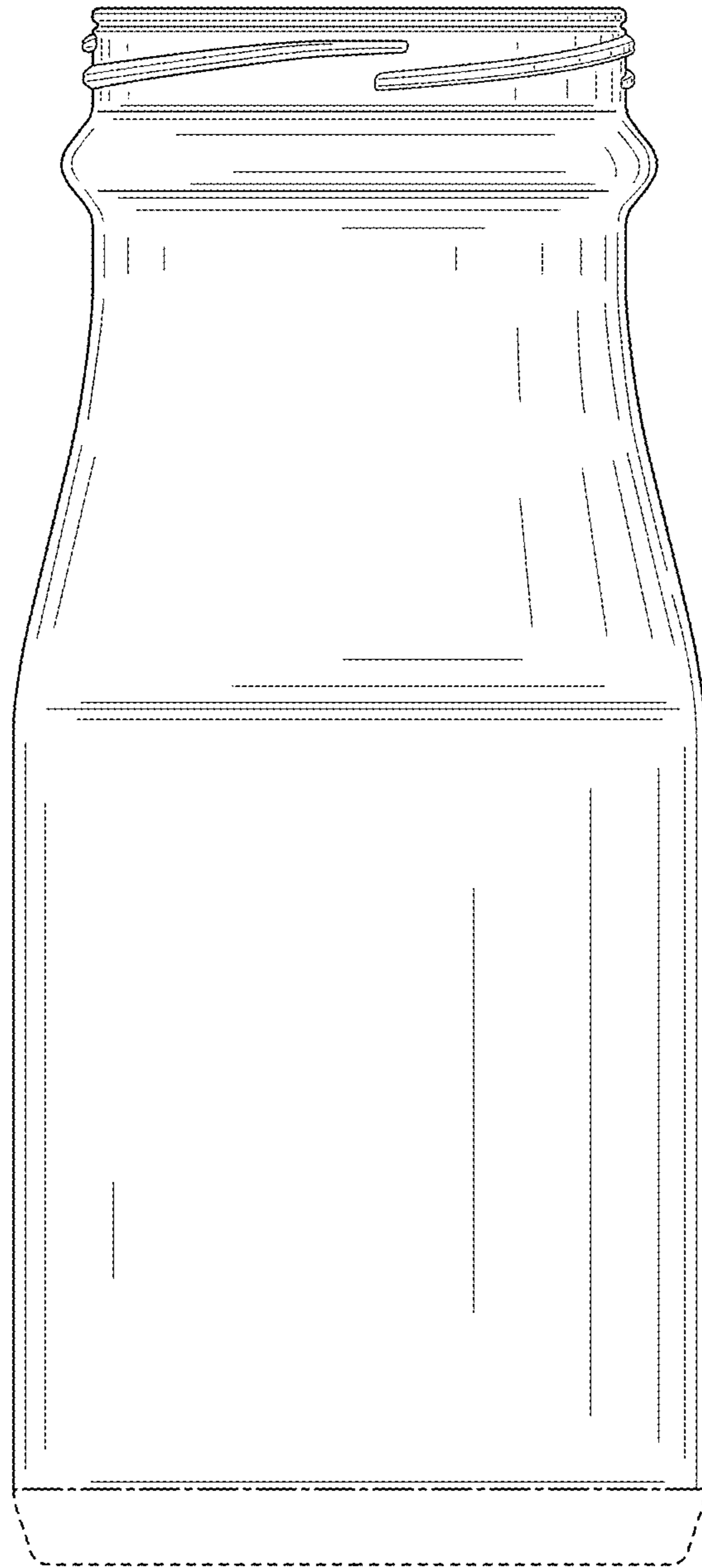
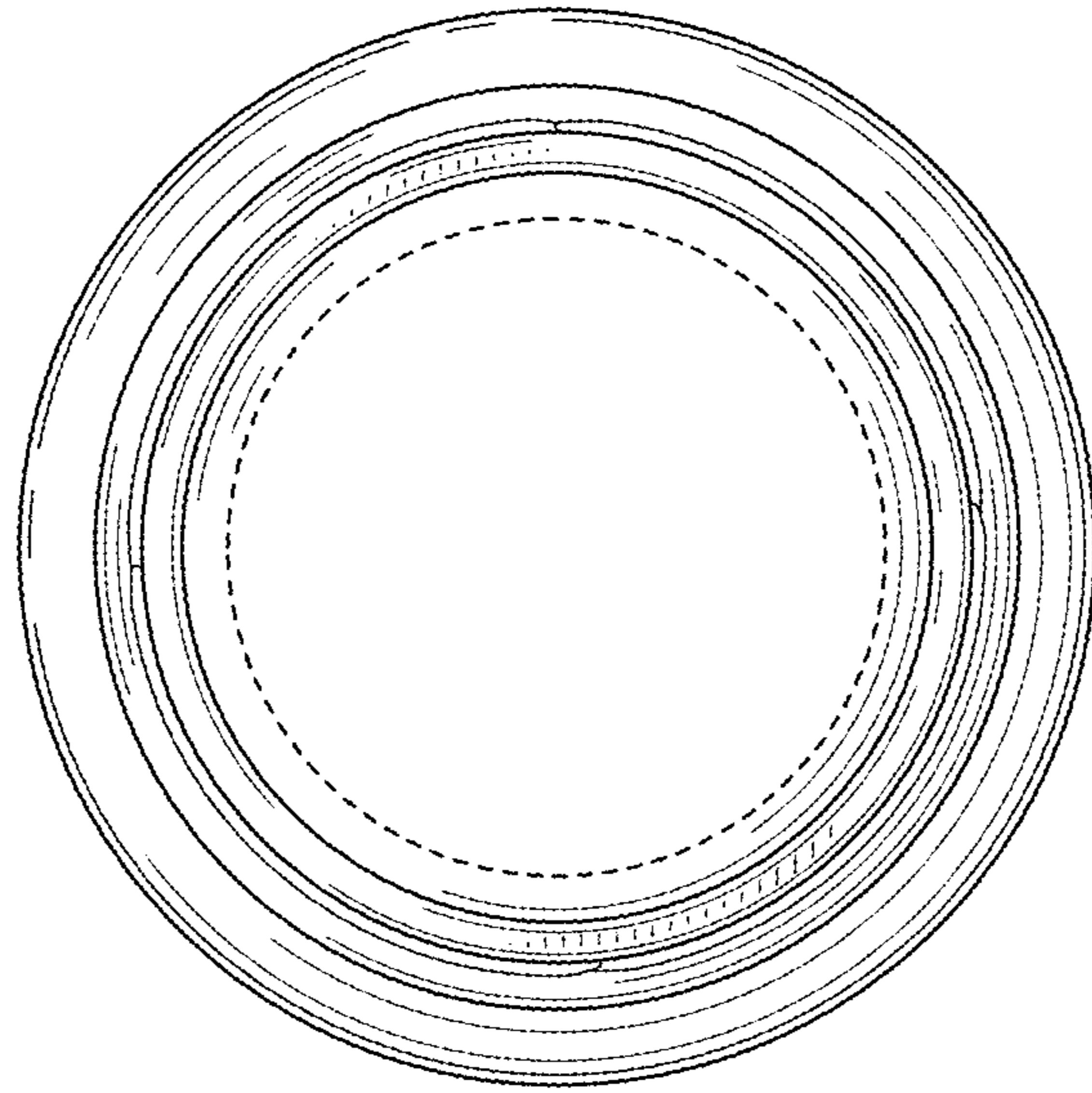
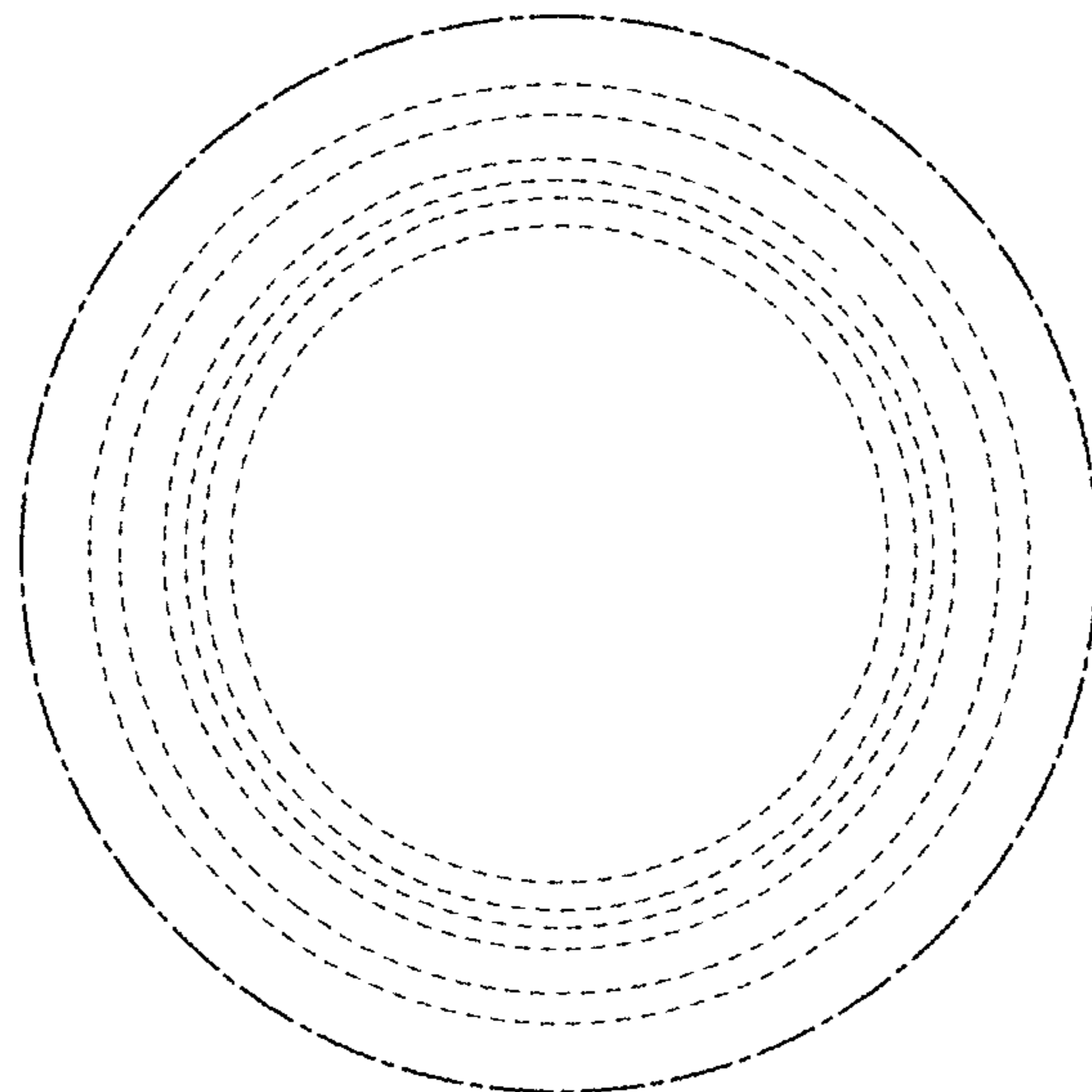


FIG. 5



**FIG. 6**



**FIG. 7**