



US00D726008S

(12) **United States Design Patent**
Buxton-Dakides

(10) **Patent No.:** **US D726,008 S**
(45) **Date of Patent:** **** Apr. 7, 2015**

- (54) **DIAL CAP**
- (71) Applicant: **Patricia Buxton-Dakides**, Laguna Niguel, CA (US)
- (72) Inventor: **Patricia Buxton-Dakides**, Laguna Niguel, CA (US)
- (**) Term: **14 Years**
- (21) Appl. No.: **29/483,714**
- (22) Filed: **Mar. 1, 2014**
- (51) **LOC (10) Cl.** **09-07**
- (52) **U.S. Cl.**
USPC **D9/436**
- (58) **Field of Classification Search**
USPC D3/203.4, 318; D7/321, 387, 511,
D7/553.3, 601, 602; D9/434, 435, 436,
D9/441, 450, 499, 503, 504, 529, 553, 566,
D9/652, 667, 731, 769, 782; 215/200,
215/381–385; 220/662, 669
See application file for complete search history.

2010/0270257 A1 10/2010 Wachman et al.
 2011/0266250 A1 11/2011 Adler et al.
 2014/0217056 A1* 8/2014 Parekh et al. 215/228

OTHER PUBLICATIONS

Better Health. Pill Bottle Caps Use Wireless Communication to Remind patients When to Take Medication. Dec. 25, 2011 [online], [site visited Dec. 17, 2014]. Available from Internet, <URL:http://getbetterhealth.com/pill-bottle-caps-utilize-wireless-communication-to-remind-patients-when-to-take-medication/2011.12.25>.*

* cited by examiner

Primary Examiner — Robert M Spear
Assistant Examiner — Darcey E Heflin

(74) *Attorney, Agent, or Firm* — John D. Tran; Rhema Law Group, P.C.

(57) **CLAIM**

The ornamental design for a dial cap, as shown and described.

DESCRIPTION

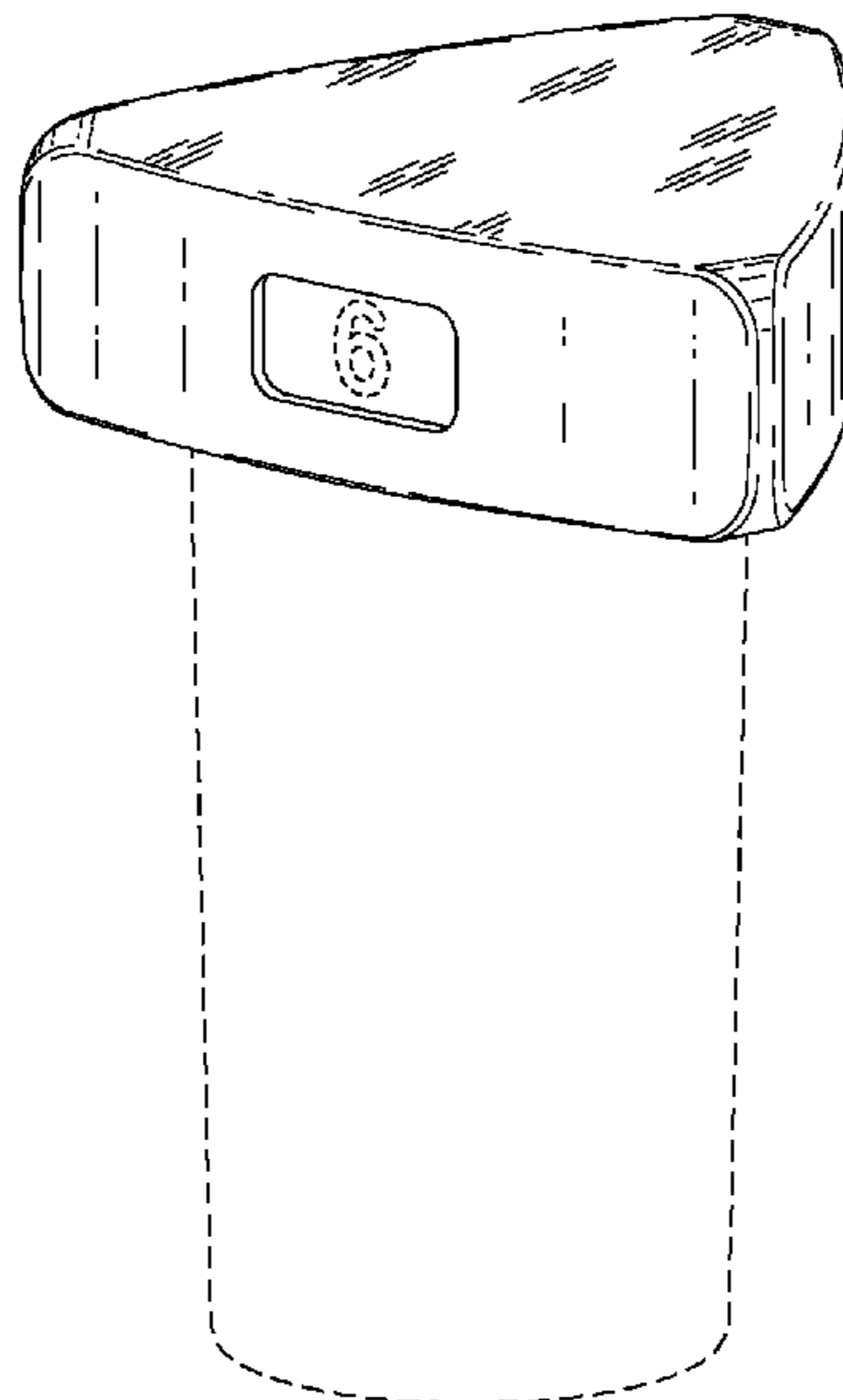
FIG. 1 is a perspective view of the ornamental design for a dial cap of the present invention;
 FIG. 2 is a front view of the ornamental design for a dial cap shown of the present invention;
 FIG. 3 is a back view of the ornamental design for a dial cap of the present invention;
 FIG. 4 is a left side view of the ornamental design for a dial cap of the present invention;
 FIG. 5 is a right side view of the ornamental design for a dial cap of the present invention;
 FIG. 6 is a top down view of the ornamental design for a dial cap of the present invention; and,
 FIG. 7 is a bottom view of the ornamental design for a dial cap of the present invention.
 The broken lines shown throughout the views represent the portions of the dial cap which form no part of the claim.

1 Claim, 2 Drawing Sheets

(56) **References Cited**

U.S. PATENT DOCUMENTS

D57,707 S *	4/1921	Morrison	D9/782
4,489,834 A *	12/1984	Thackrey	206/534
5,823,346 A *	10/1998	Weiner	206/534
D424,378 S *	5/2000	Bacon et al.	D7/602
D468,209 S *	1/2003	Joubert	D9/529
D497,038 S *	10/2004	Tsai	D28/85
D547,193 S *	7/2007	Blasko et al.	D9/529
D611,354 S *	3/2010	Usui et al.	D9/529
D612,741 S *	3/2010	Miksovsky	D9/652
D631,751 S *	2/2011	Fox et al.	D9/529
7,980,391 B2	7/2011	Adler et al.		
D659,004 S *	5/2012	McCoy	D9/529
D695,620 S *	12/2013	Karekar	D9/529



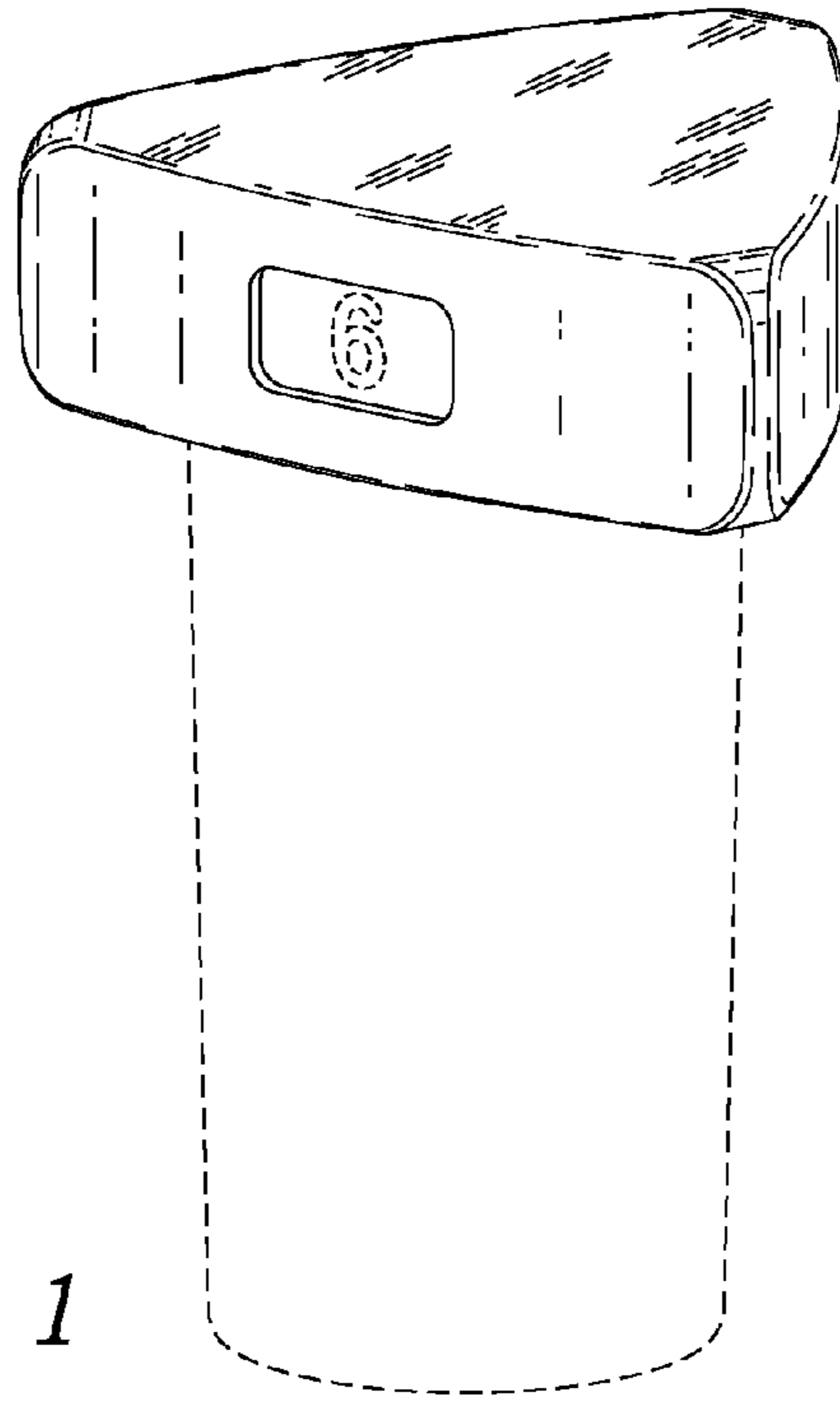


Fig. 1

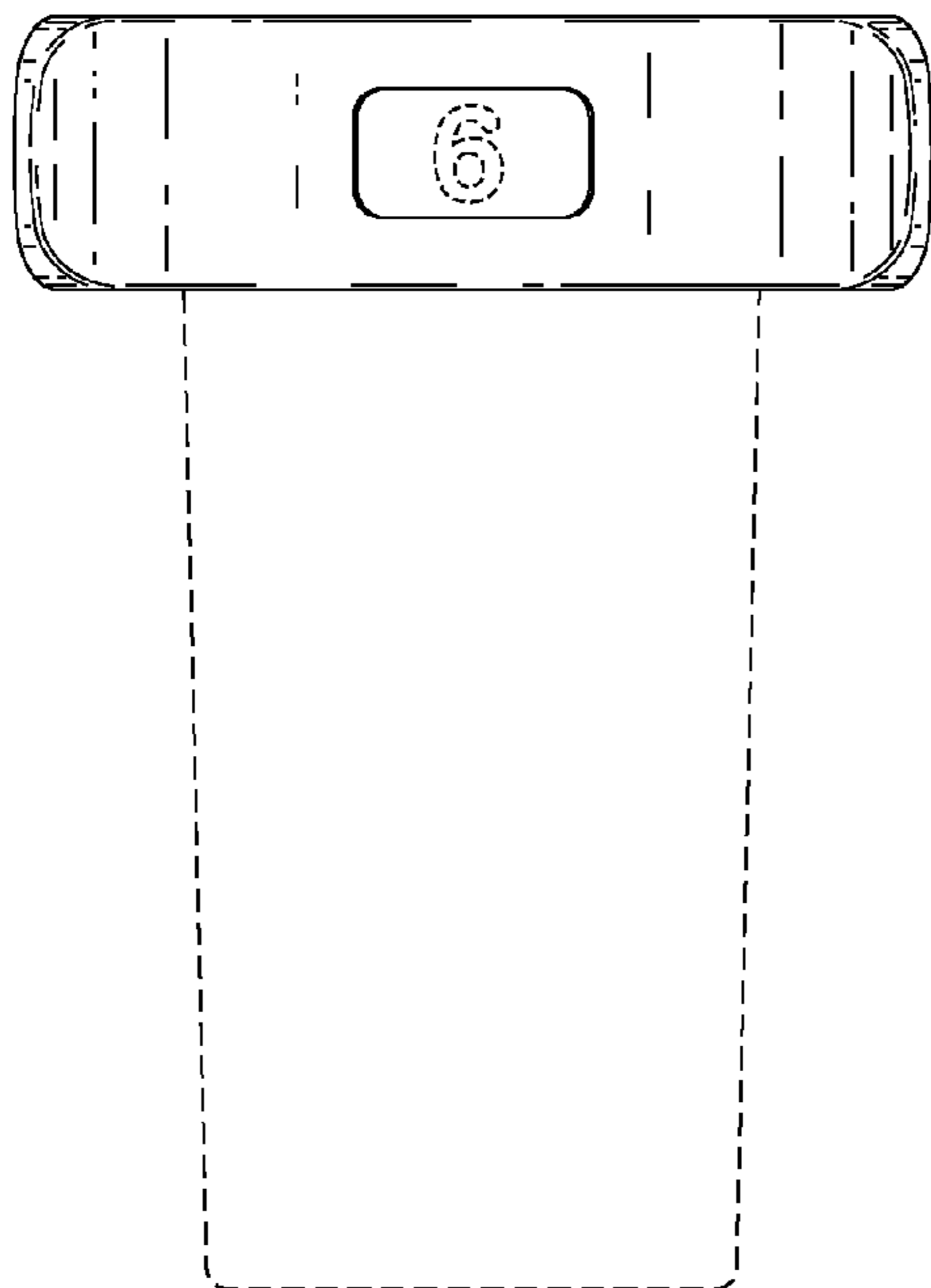


Fig. 2

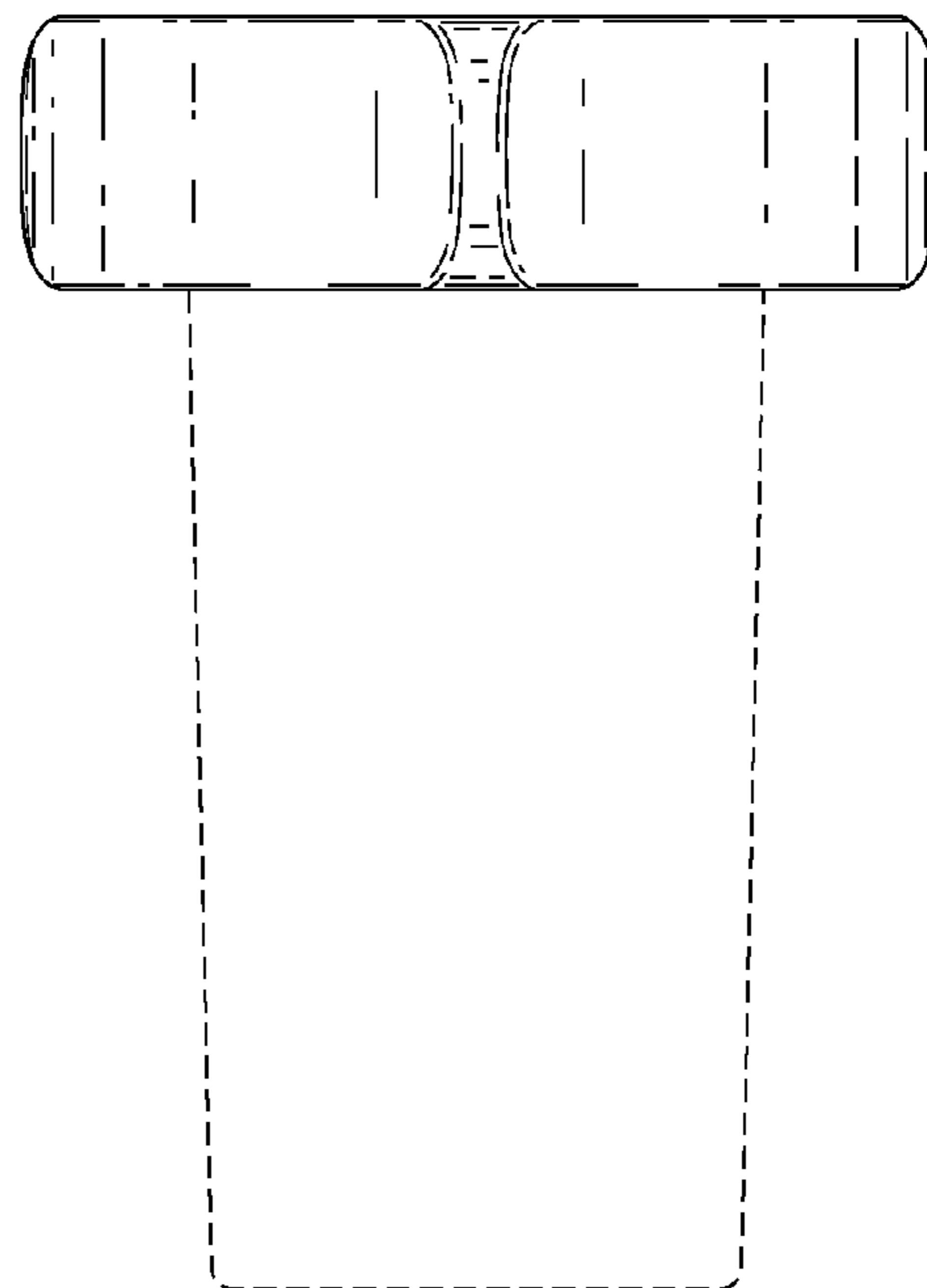


Fig. 3

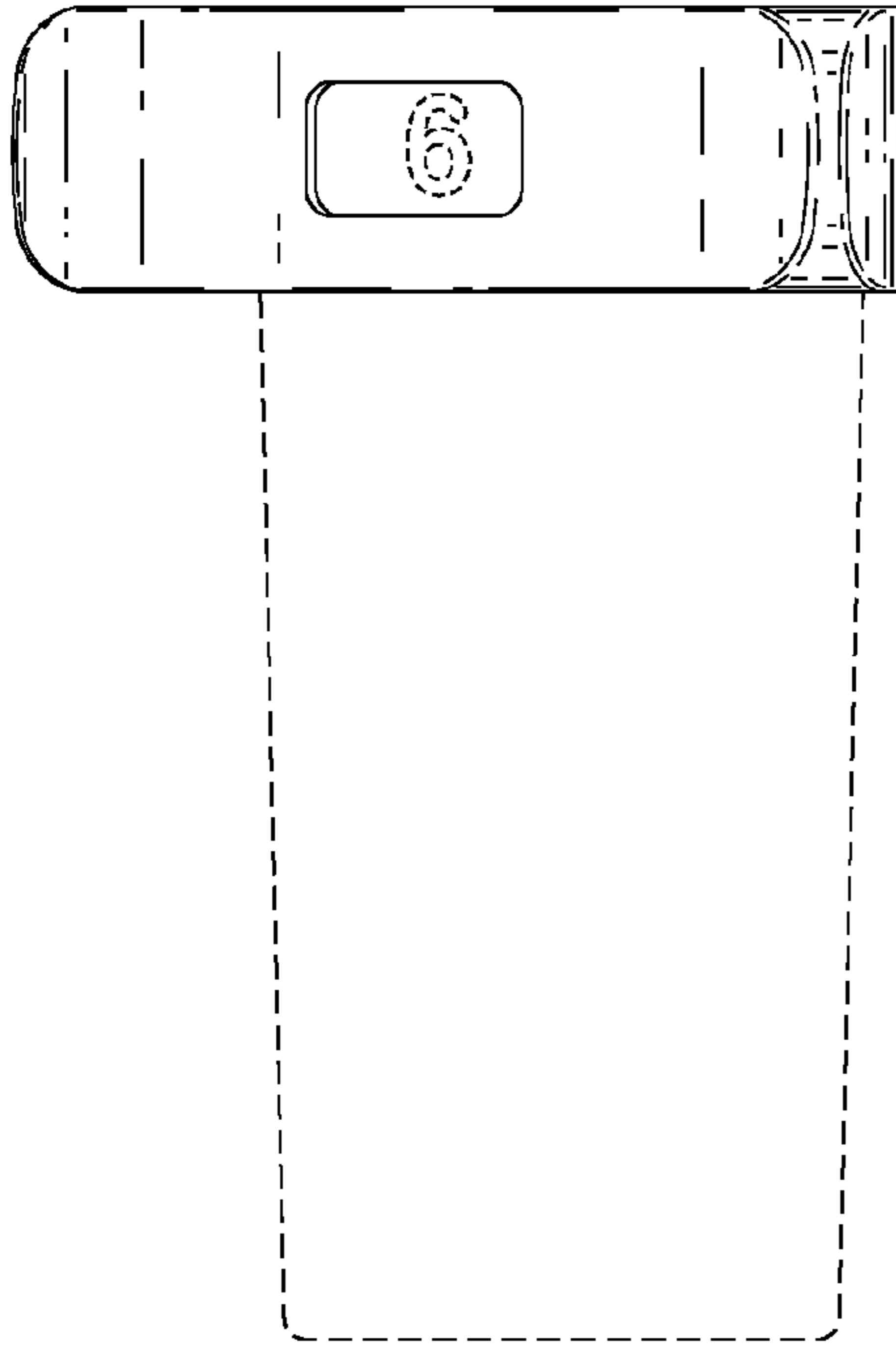


Fig. 4

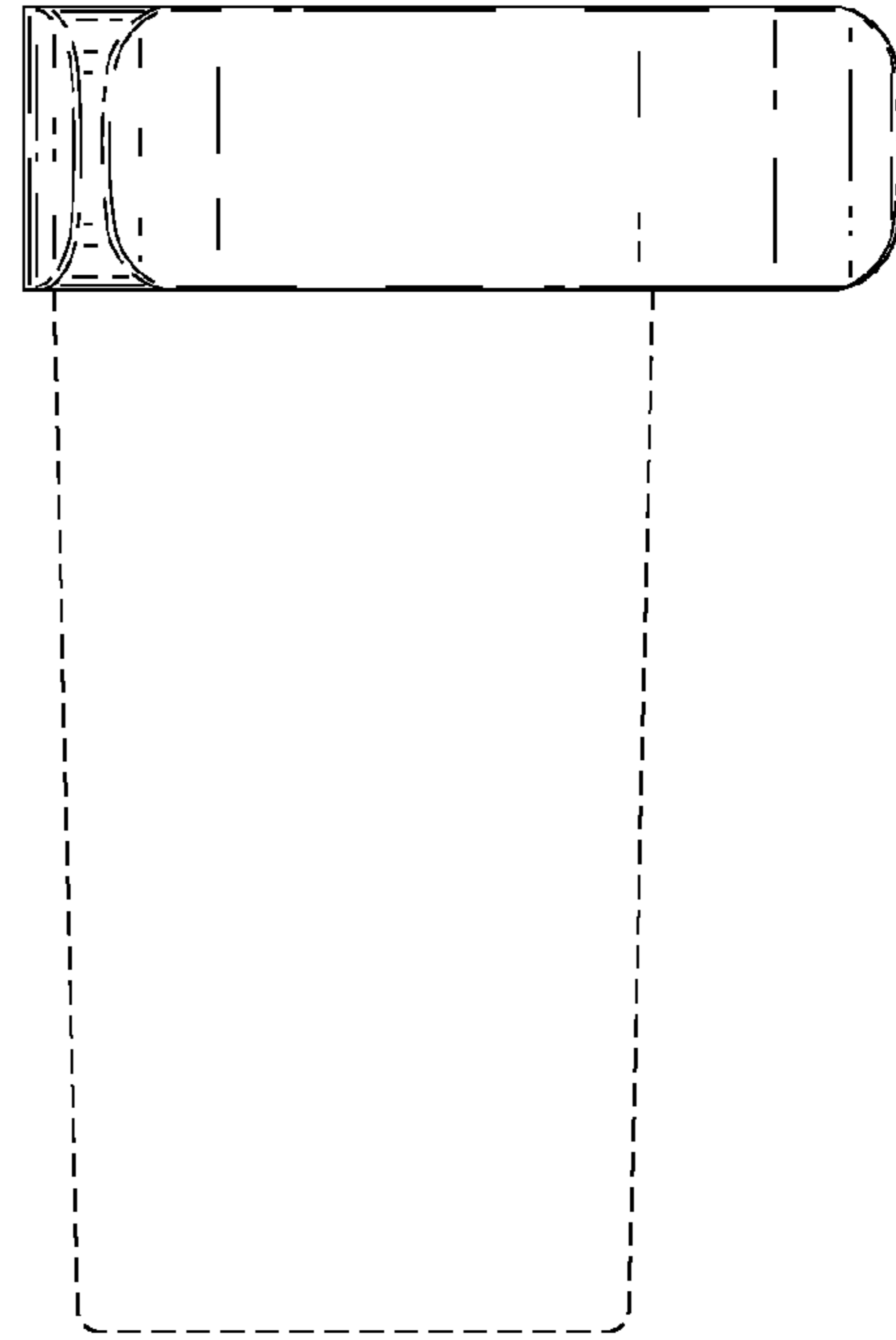


Fig. 5

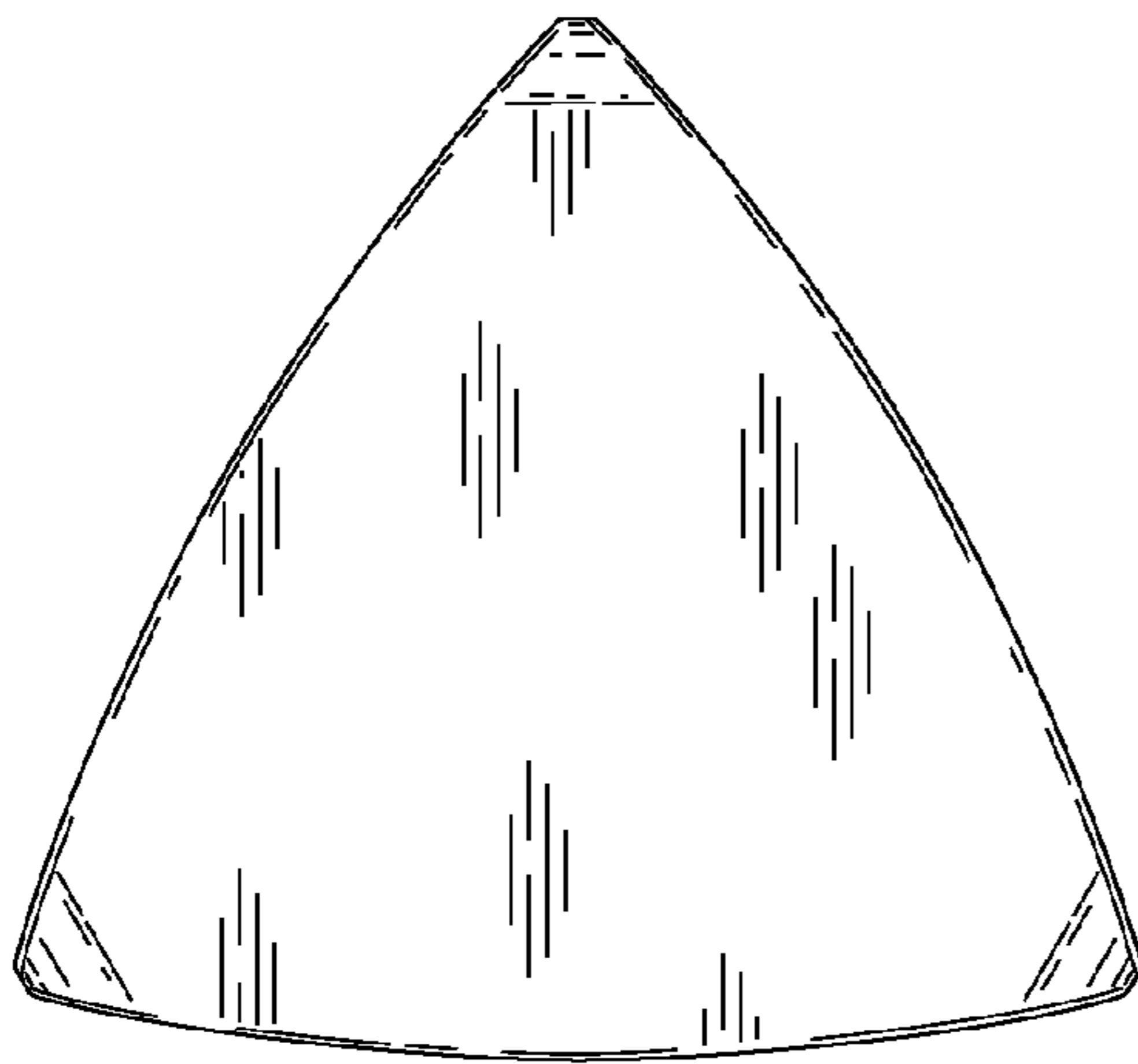


Fig. 6

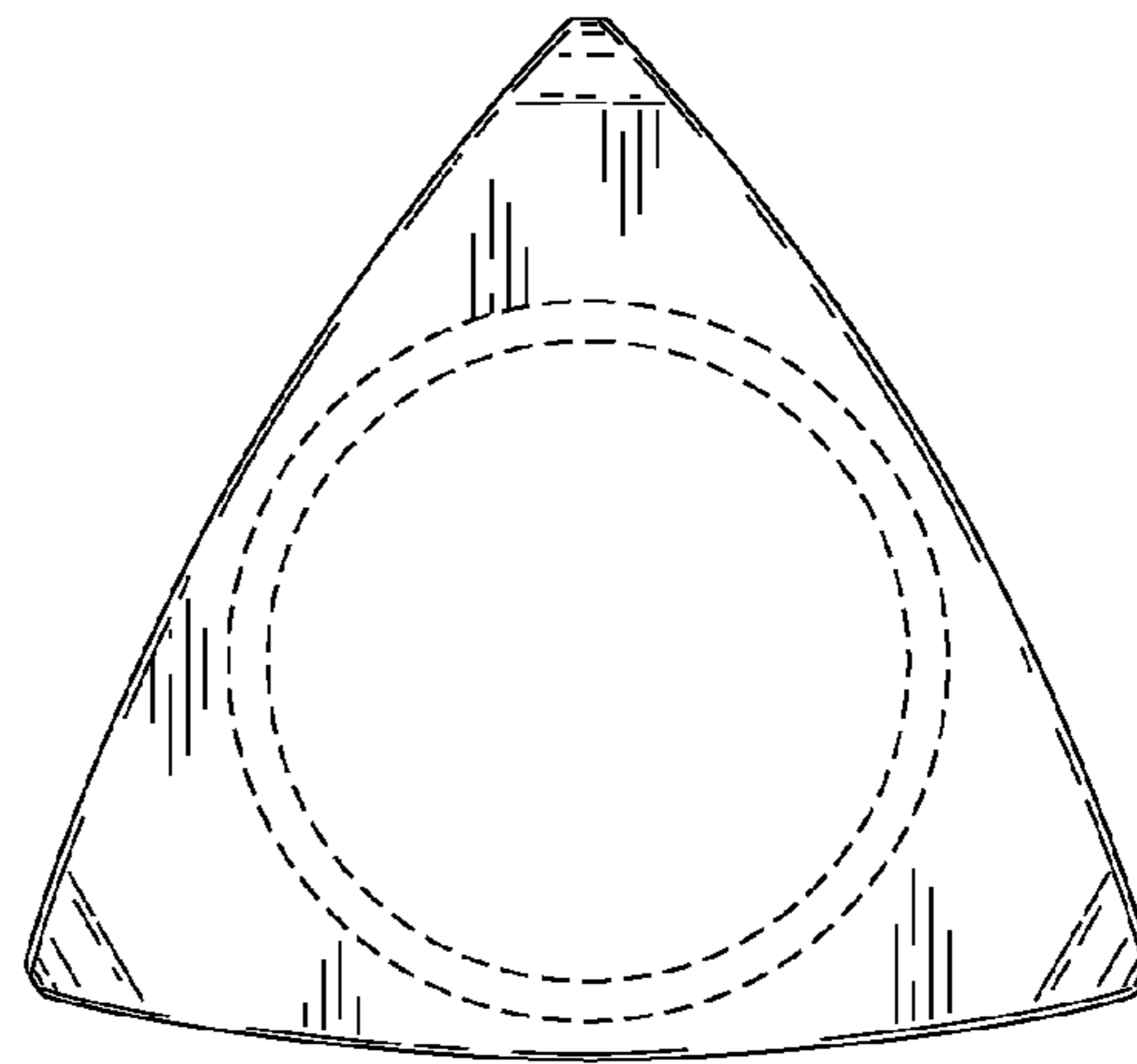


Fig. 7