

US00D726007S

(12) **United States Design Patent**
Beth-Jacob

(10) **Patent No.:** **US D726,007 S**
(45) **Date of Patent:** **** Apr. 7, 2015**

(54) **DETACHABLE BOTTLE TOP CONTAINER**

FOREIGN PATENT DOCUMENTS

(71) Applicant: **Ramin J. Beth-Jacob**, Turlock, CA (US)

GB 2030416 * 4/1993

(72) Inventor: **Ramin J. Beth-Jacob**, Turlock, CA (US)

* cited by examiner

(73) Assignee: **Ramin J. Beth-Jacob**

Primary Examiner — Susan Bennett Hattan

Assistant Examiner — Leanne Was

(**) Term: **14 Years**

(21) Appl. No.: **29/442,535**

(57) **CLAIM**

I claim the ornamental design for a detachable bottle top container, as shown and described.

(22) Filed: **Mar. 18, 2013**

(51) **LOC (10) Cl.** **09-07**

(52) **U.S. Cl.**

USPC **D9/436**

(58) **Field of Classification Search**

USPC D3/201, 203.1, 203.2, 203.3, 203.4,
D3/229, 294, 302, 315, 316; D7/391, 513,
D7/542, 602, 608, 612, 615; D9/414, 417,
D9/419, 423, 424, 425, 428, 429, 434, 435,
D9/436, 445, 449, 456, 503, 529, 737;
D28/73, 88; 215/200; 220/269, 270,
220/608, 669, 675, 676

See application file for complete search history.

DESCRIPTION

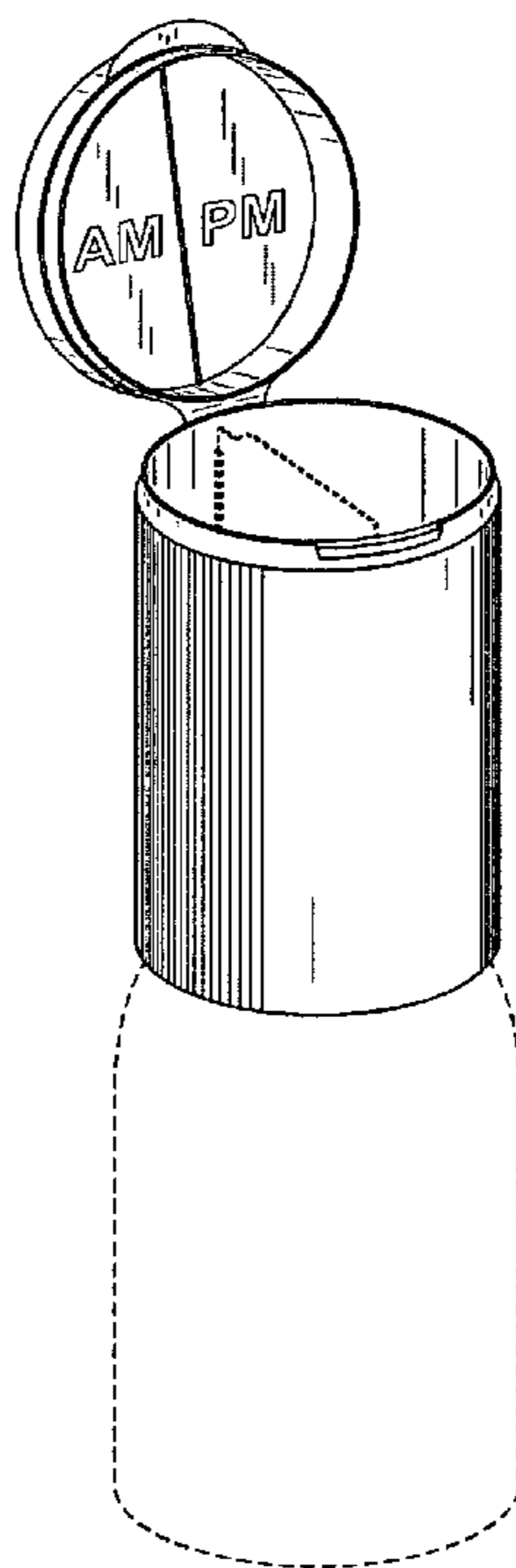
FIG. 1 is a perspective view of a detachable bottle top container showing my new design;
FIG. 2 is a top view of the detachable bottle top container thereof;
FIG. 3 is a bottom view of the detachable bottle top container thereof;
FIG. 4 is a front view of the detachable bottle top container showing features thereof;
FIG. 5 is a rear perspective view of the detachable bottle top container in same position thereof;
FIG. 6 is a right side view of the detachable bottle top container in same position thereof; and,
FIG. 7 is a left side view of the detachable bottle top container in same position thereof.
The broken lines shown on the drawings depict environment and form no part of the claimed design.

(56) **References Cited**

U.S. PATENT DOCUMENTS

D238,751 S * 2/1976 MacGrossen D3/203.4
D286,019 S * 10/1986 Fishman et al. D9/731
D424,431 S * 5/2000 Suzuki D3/301
D559,677 S * 1/2008 Laib D3/302
D593,368 S * 6/2009 Epstein et al. D7/602

1 Claim, 2 Drawing Sheets



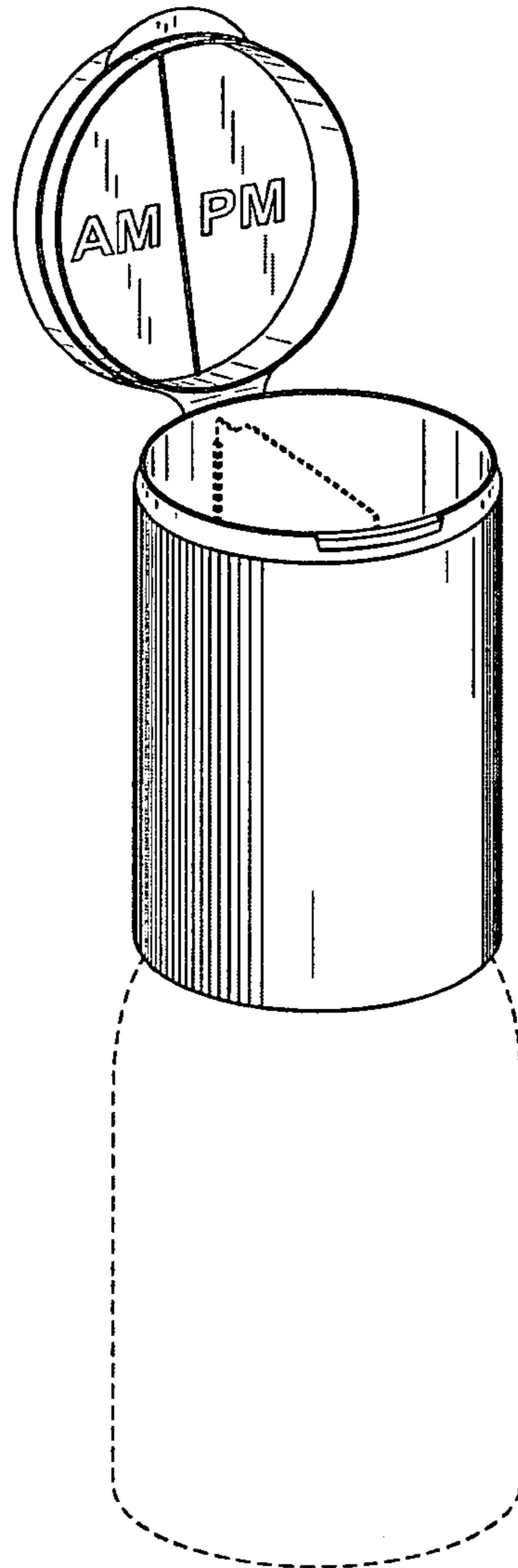


FIG. 1

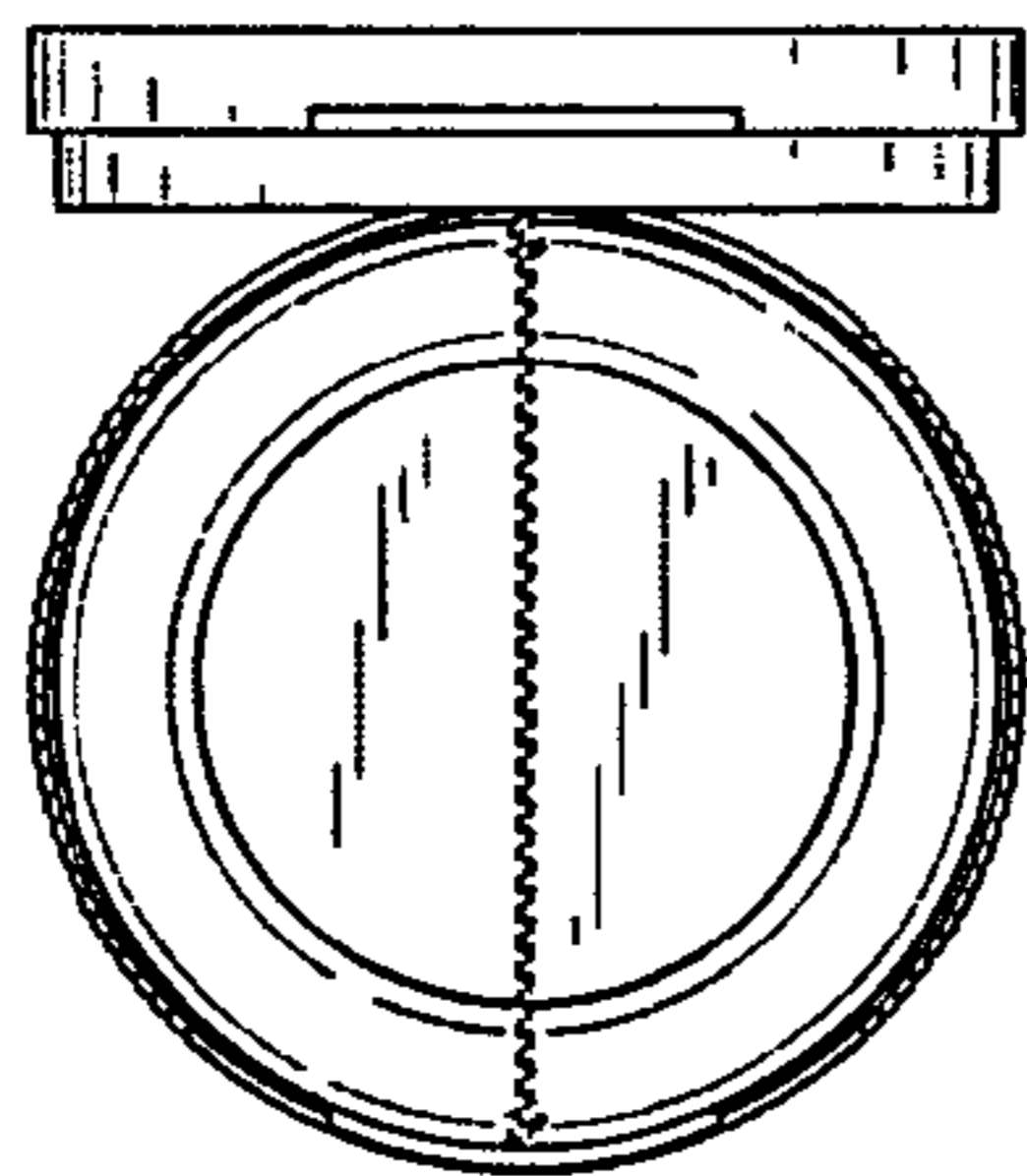


FIG. 2

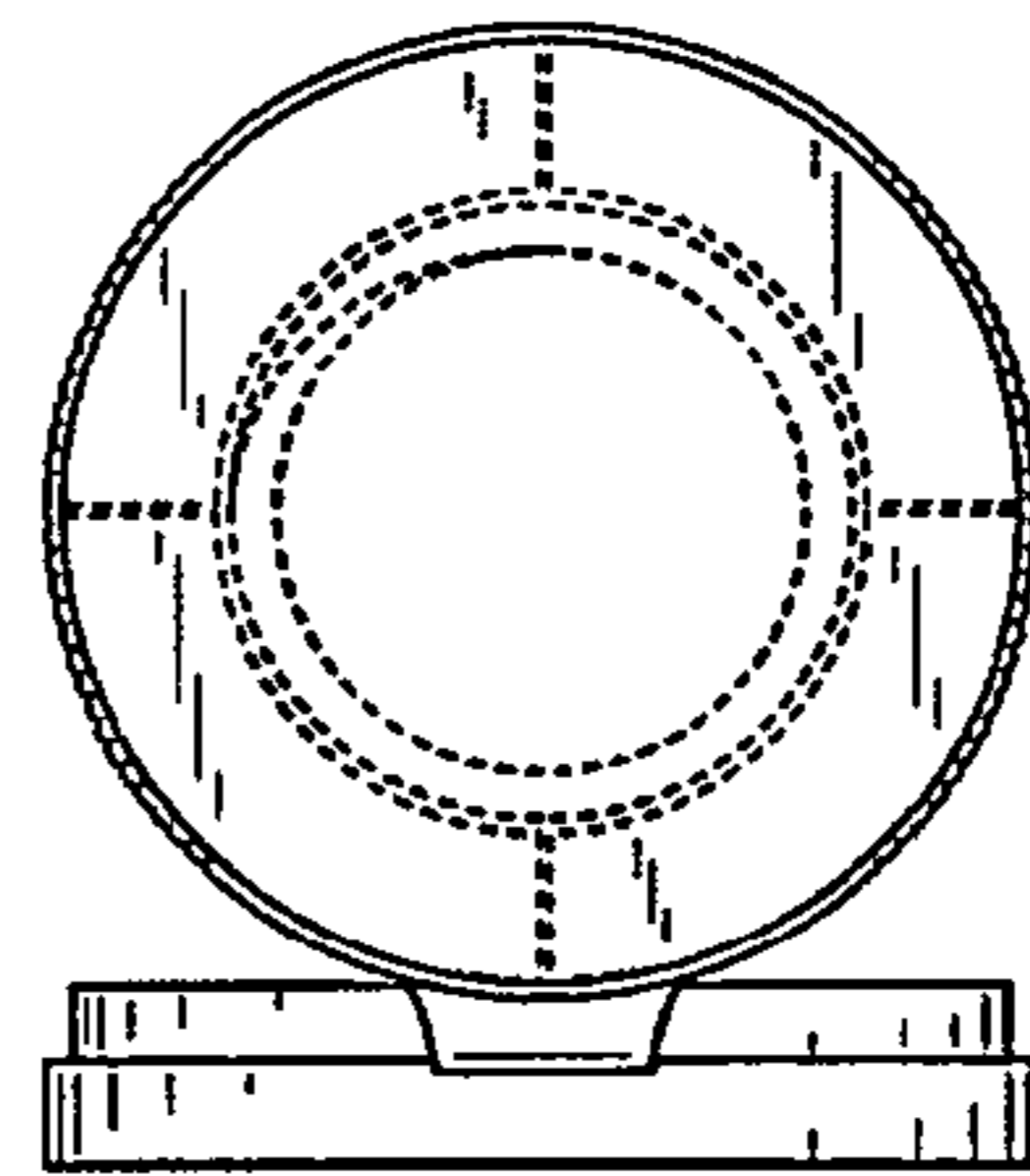


FIG. 3

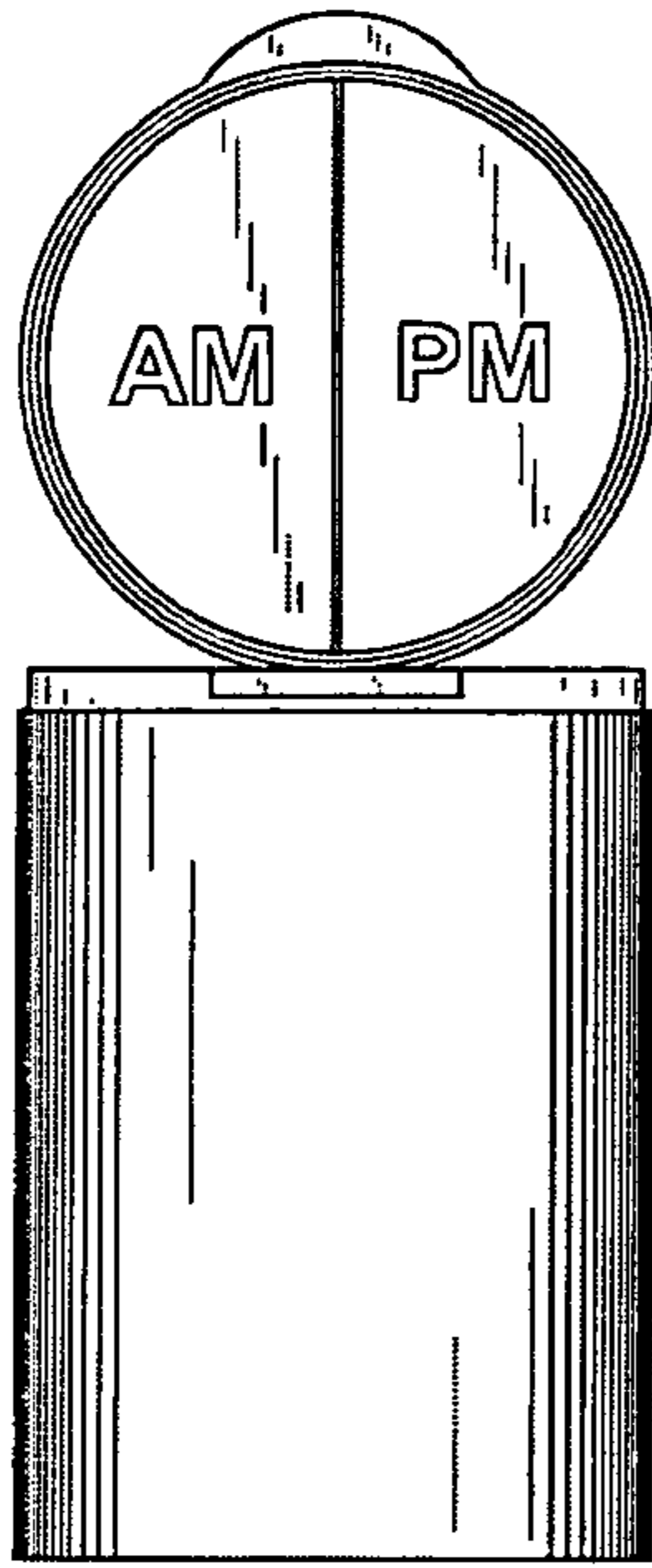


FIG. 4

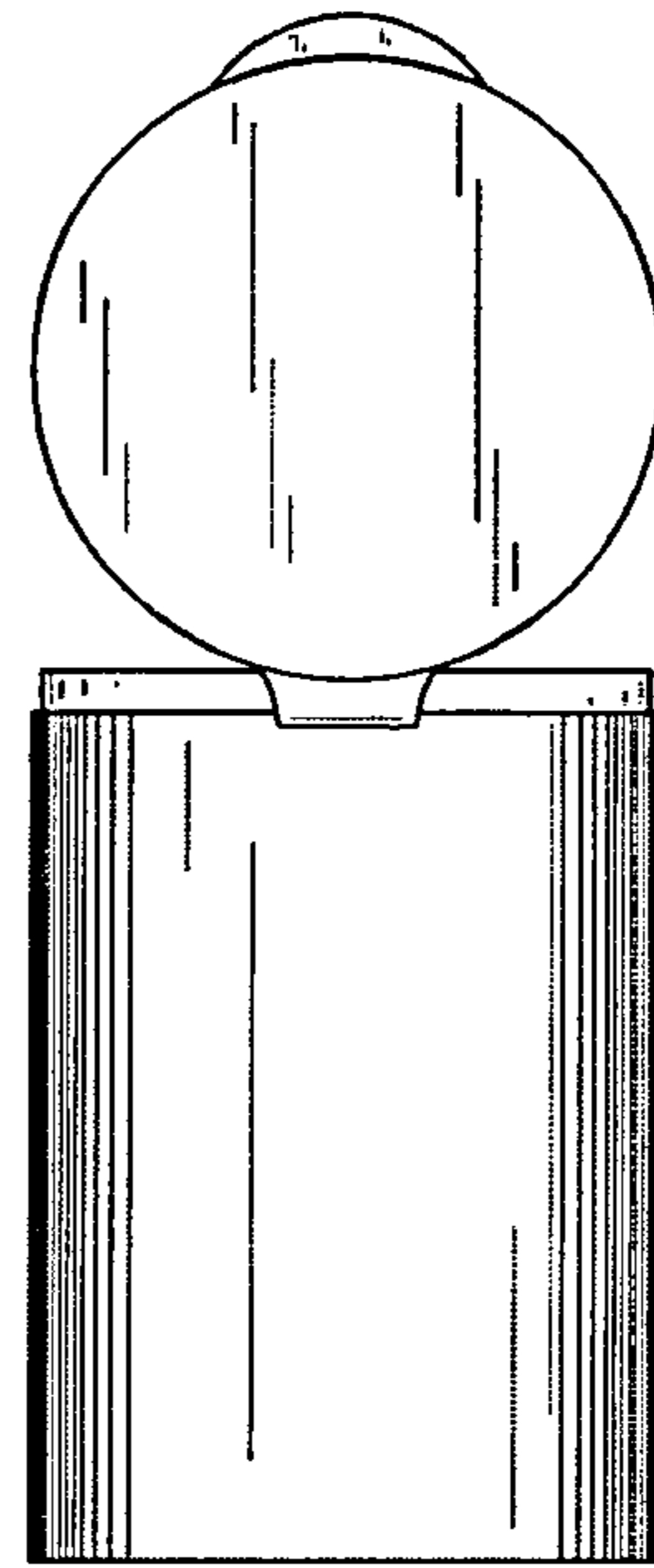


FIG. 5

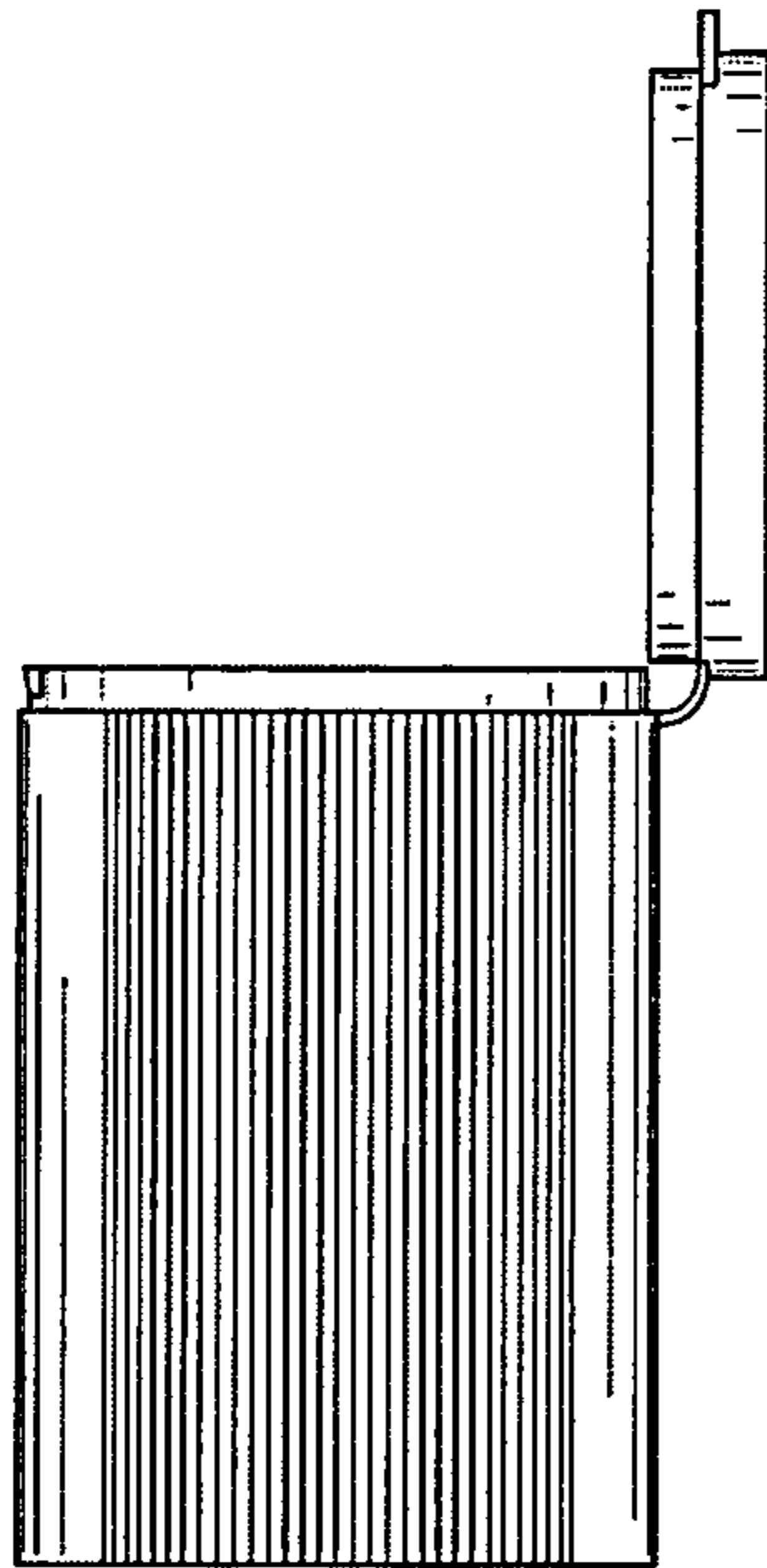


FIG. 6

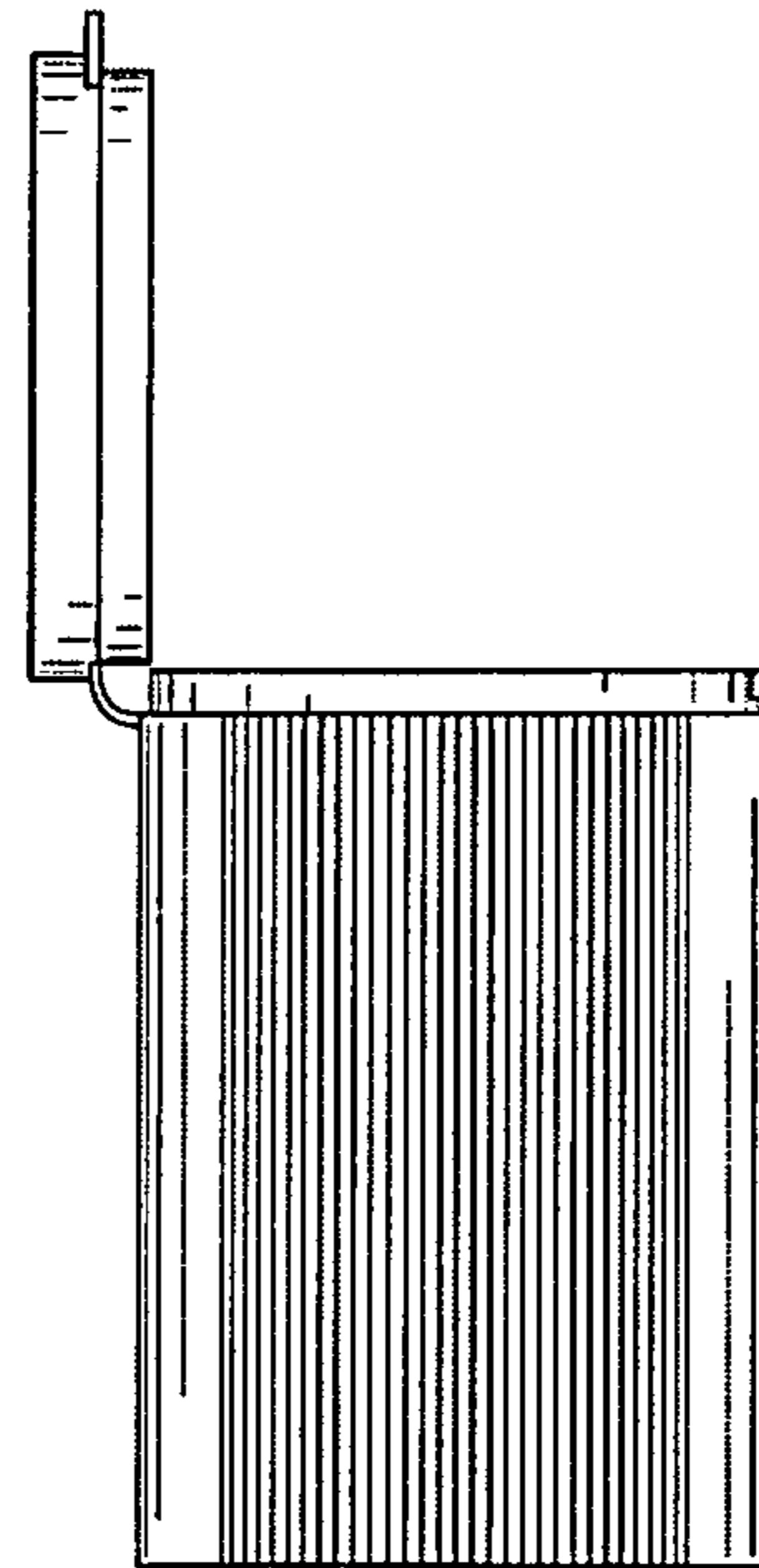


FIG. 7