



US00D726000S

(12) **United States Design Patent**  
**Iwasaki**

(10) **Patent No.:** **US D726,000 S**

(45) **Date of Patent:** **\*\* Apr. 7, 2015**

(54) **BALL SCREW**

(71) Applicant: **Kuroda Precision Industries Ltd.**,  
Kawasaki-shi, Kanagawa (JP)

(72) Inventor: **Yoshimi Iwasaki**, Kisarazu (JP)

(73) Assignee: **Kuroda Precision Industries Ltd.**,  
Kanagawa-ken (JP)

(\*\*) Term: **14 Years**

(21) Appl. No.: **29/454,124**

(22) Filed: **May 7, 2013**

(51) **LOC (10) Cl.** ..... **08-08**

(52) **U.S. Cl.**  
USPC ..... **D8/387**

(58) **Field of Classification Search**  
USPC ..... D8/387; 74/424.87, 424.86, 89.44;  
411/480, 533, 482, 542, 923  
See application file for complete search history.

(56) **References Cited**

**U.S. PATENT DOCUMENTS**

5,791,192 A \* 8/1998 Lee ..... 74/424.87  
6,446,520 B1 \* 9/2002 Nagai et al. .... 74/89.33  
8,336,415 B2 \* 12/2012 Miyahara et al. .... 74/424.86  
D678,757 S \* 3/2013 Imai et al. .... D8/387

8,813,597 B2 \* 8/2014 Lin et al. .... 74/424.86  
8,863,601 B2 \* 10/2014 Chen et al. .... 74/424.87  
8,893,570 B2 \* 11/2014 Chuo ..... 74/89.44  
8,893,573 B2 \* 11/2014 Kuo et al. .... 74/424.86  
8,893,574 B2 \* 11/2014 Pan et al. .... 74/424.87

\* cited by examiner

*Primary Examiner* — Sheryl Lane

(74) *Attorney, Agent, or Firm* — Marshall & Melhorn, LLC

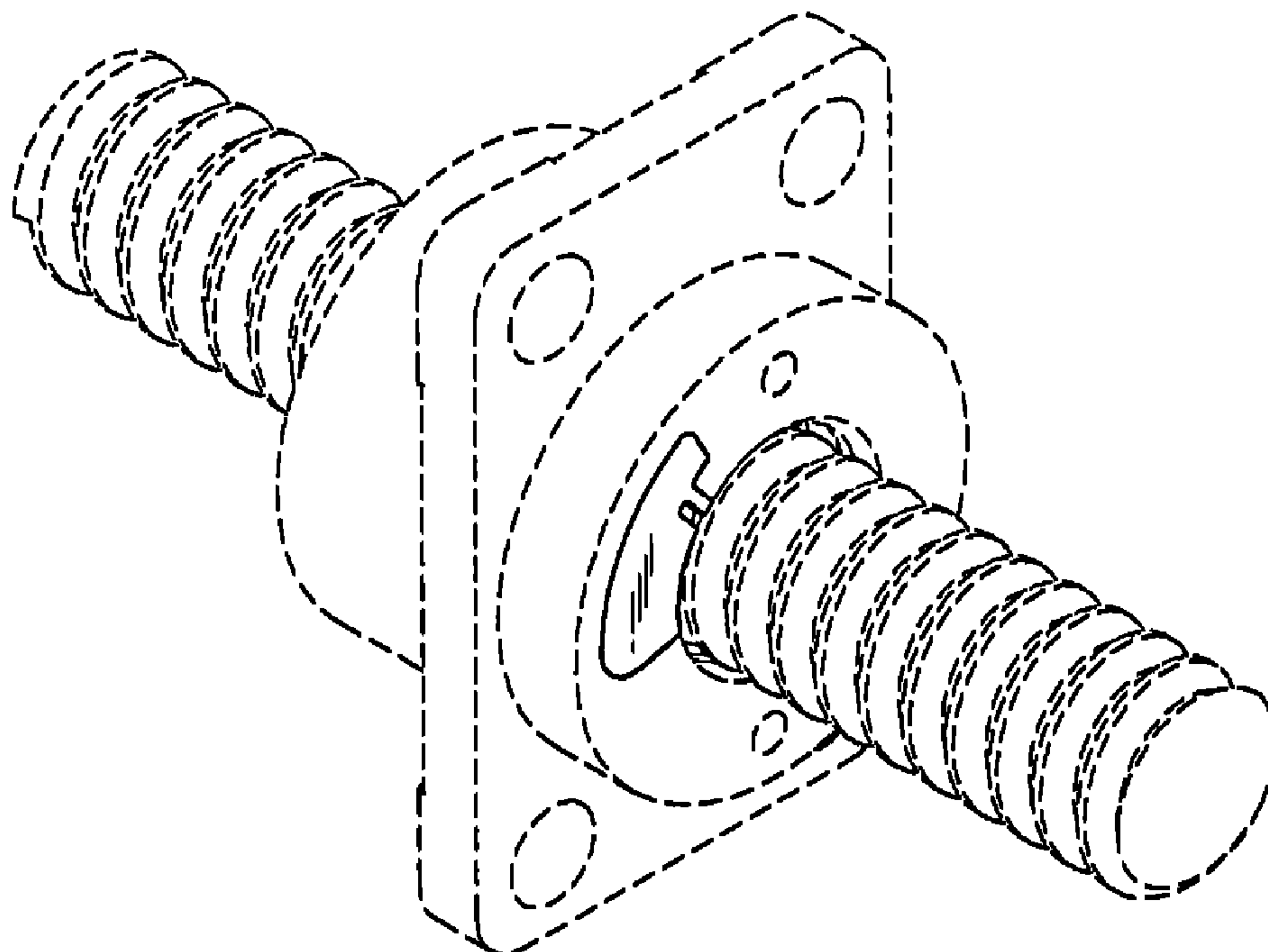
(57) **CLAIM**

The ornamental design for a ball screw, as shown and described.

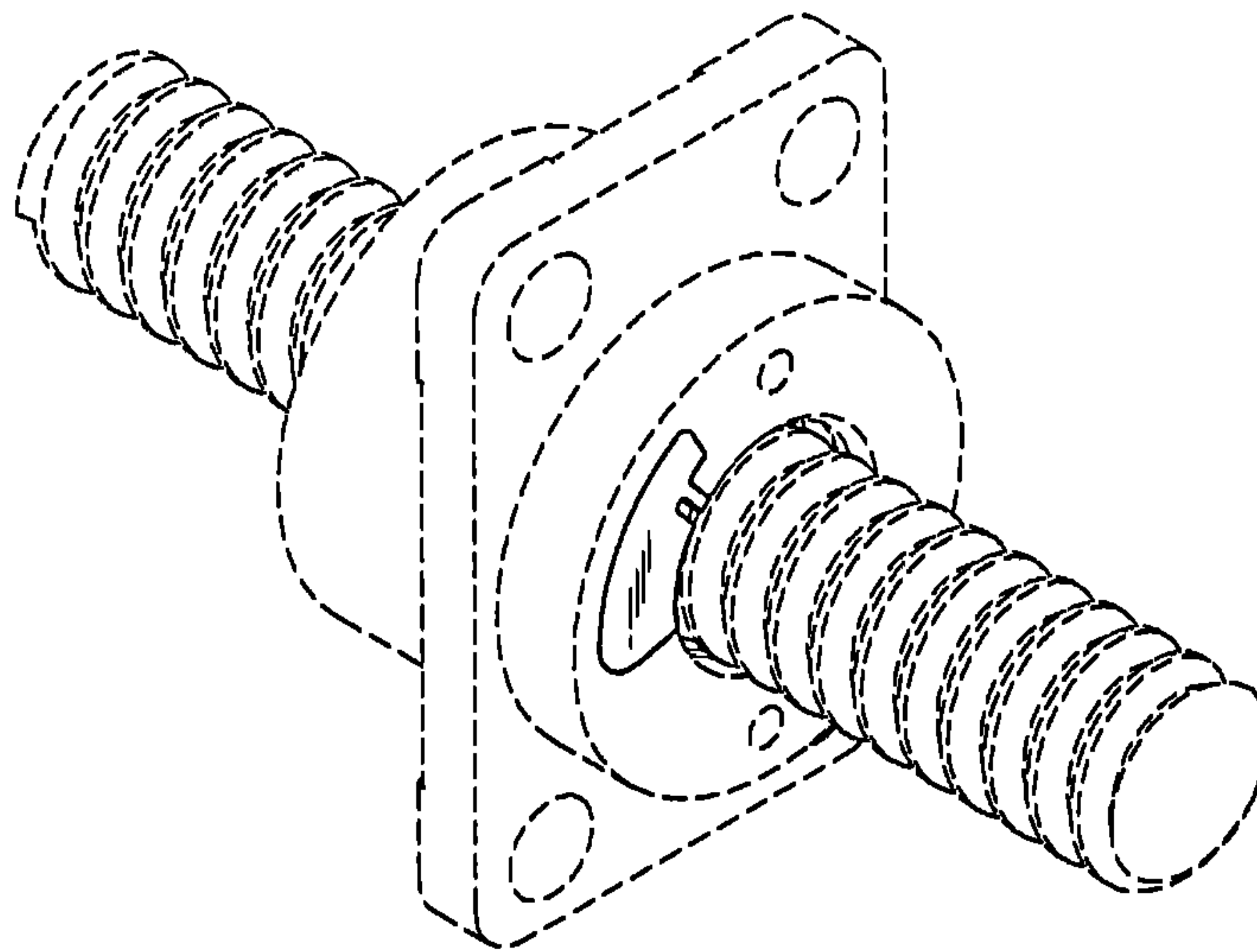
**DESCRIPTION**

FIG. 1 is a front perspective view of a ball screw;  
FIG. 2 is a back perspective view of thereof;  
FIG. 3 is a front view thereof;  
FIG. 4 is a back view thereof;  
FIG. 5 is a left side view thereof, a right side view being a mirror image of the left side view;  
FIG. 6 is a top view thereof;  
FIG. 7 is an enlarged view of portion 7-7 of FIG. 3;  
FIG. 8 is an enlarged view of portion 8-8 of FIG. 4; and,  
FIG. 9 is an enlarged view of portion 9-9 of FIG. 4.  
The broken lines represent environment and form no part of the claimed design.

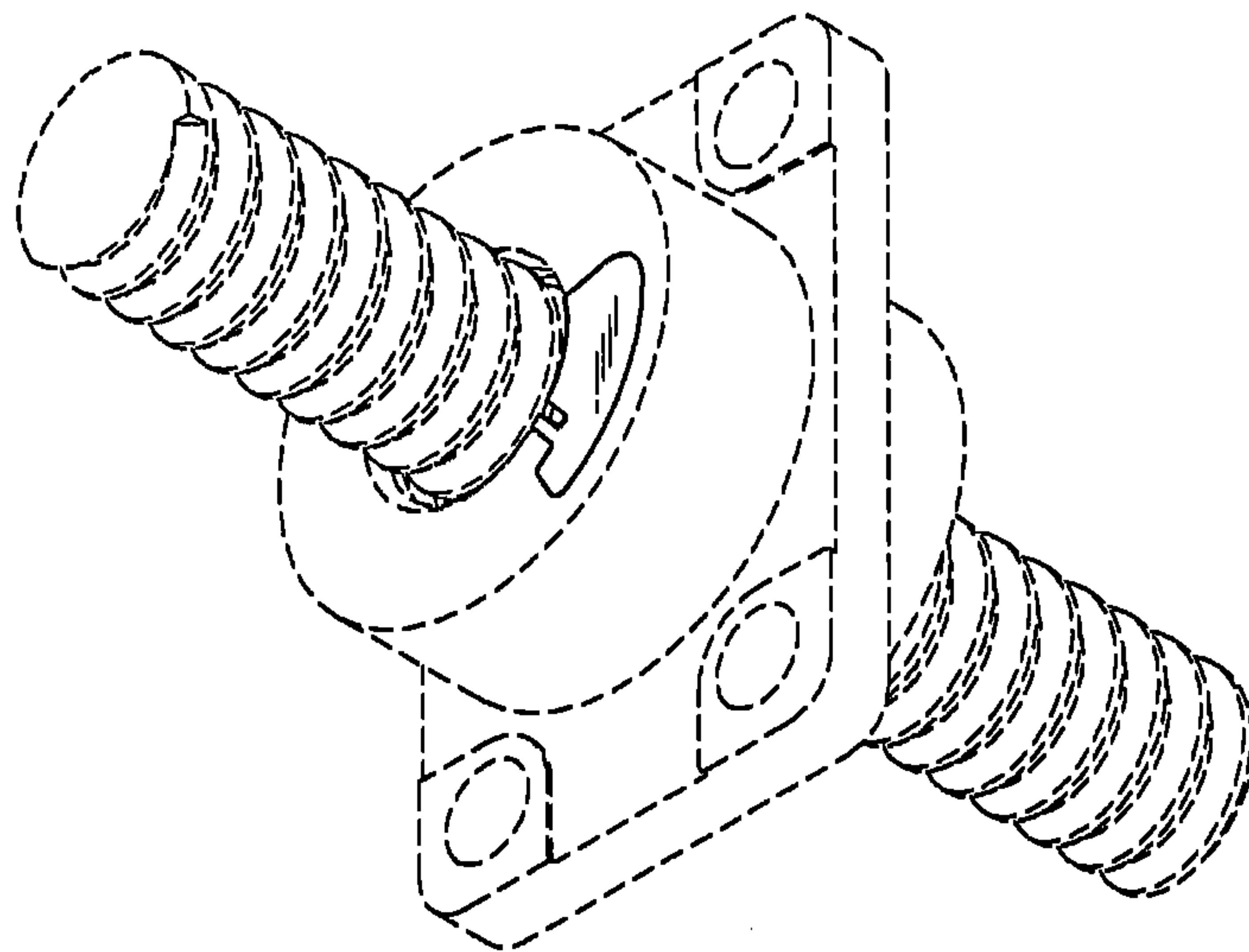
**1 Claim, 9 Drawing Sheets**



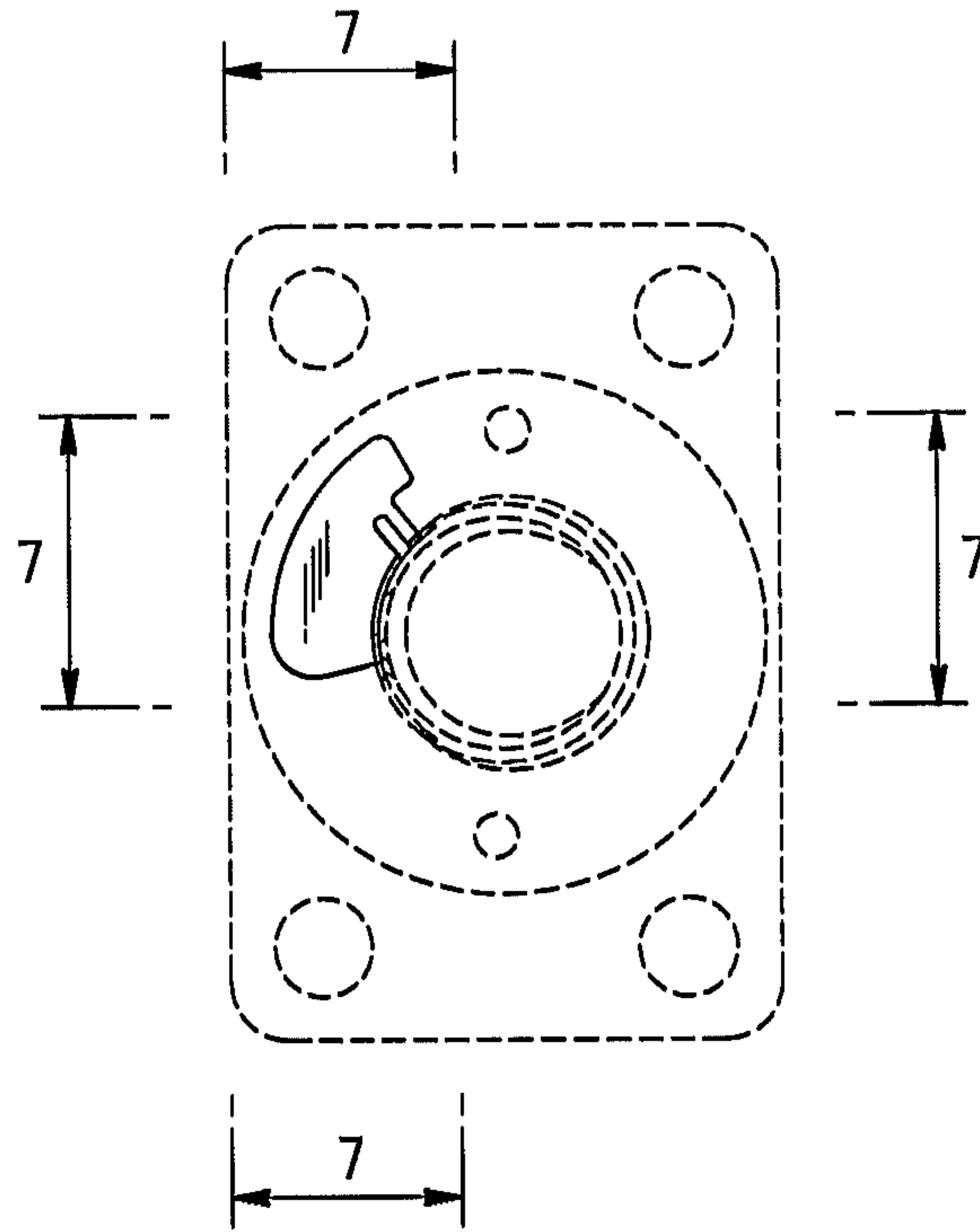
**Fig.1**



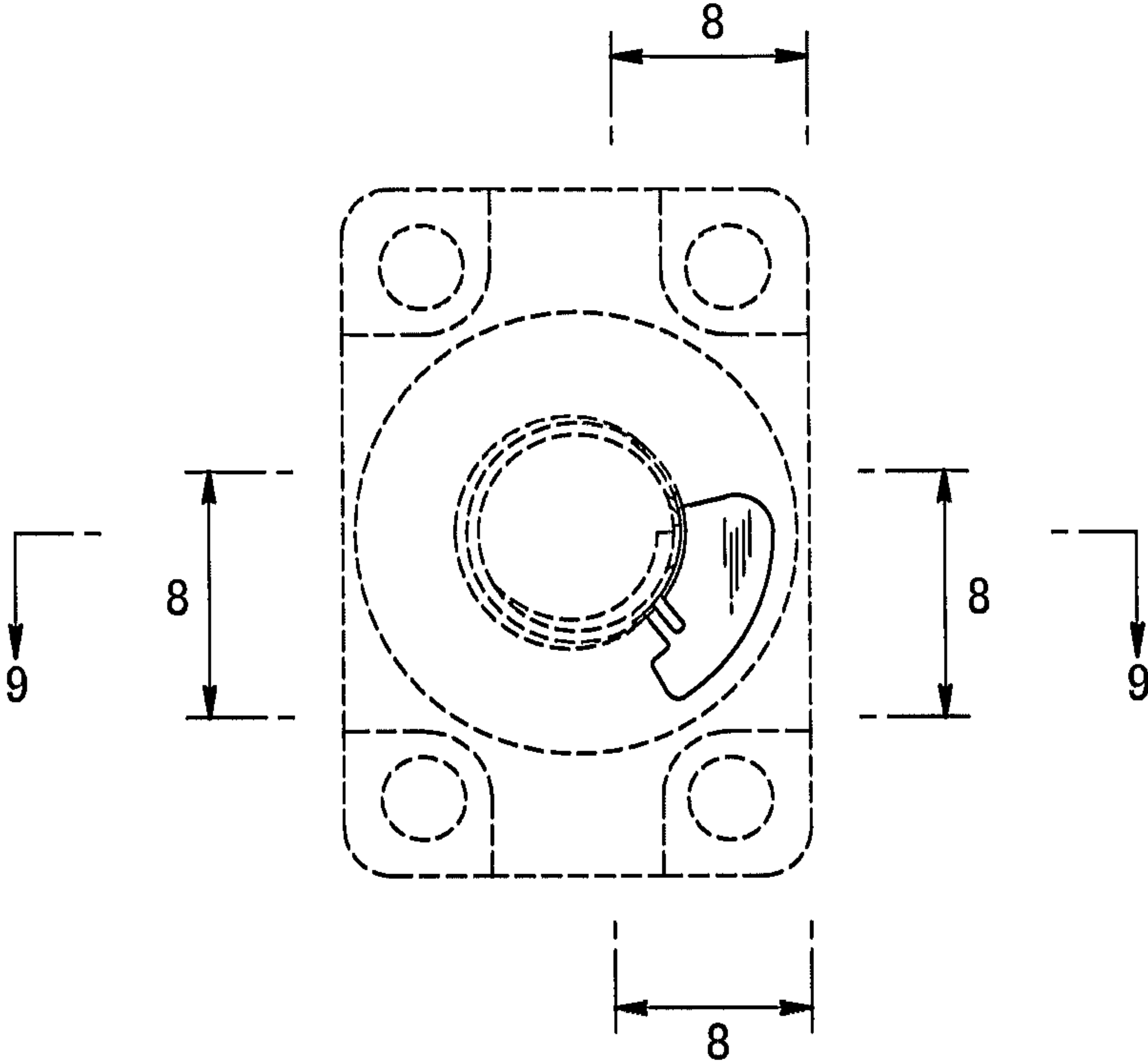
**Fig.2**



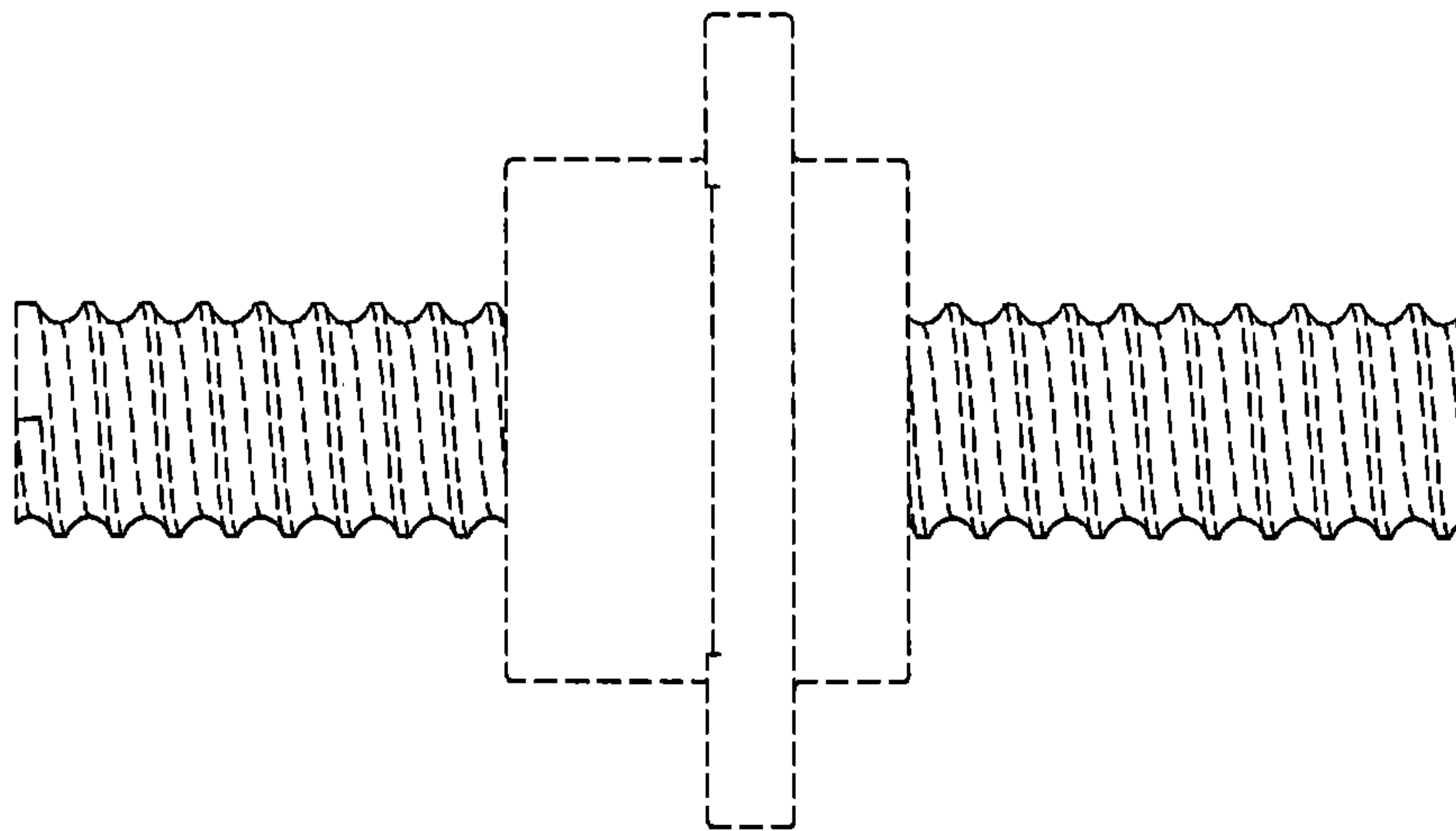
**Fig.3**



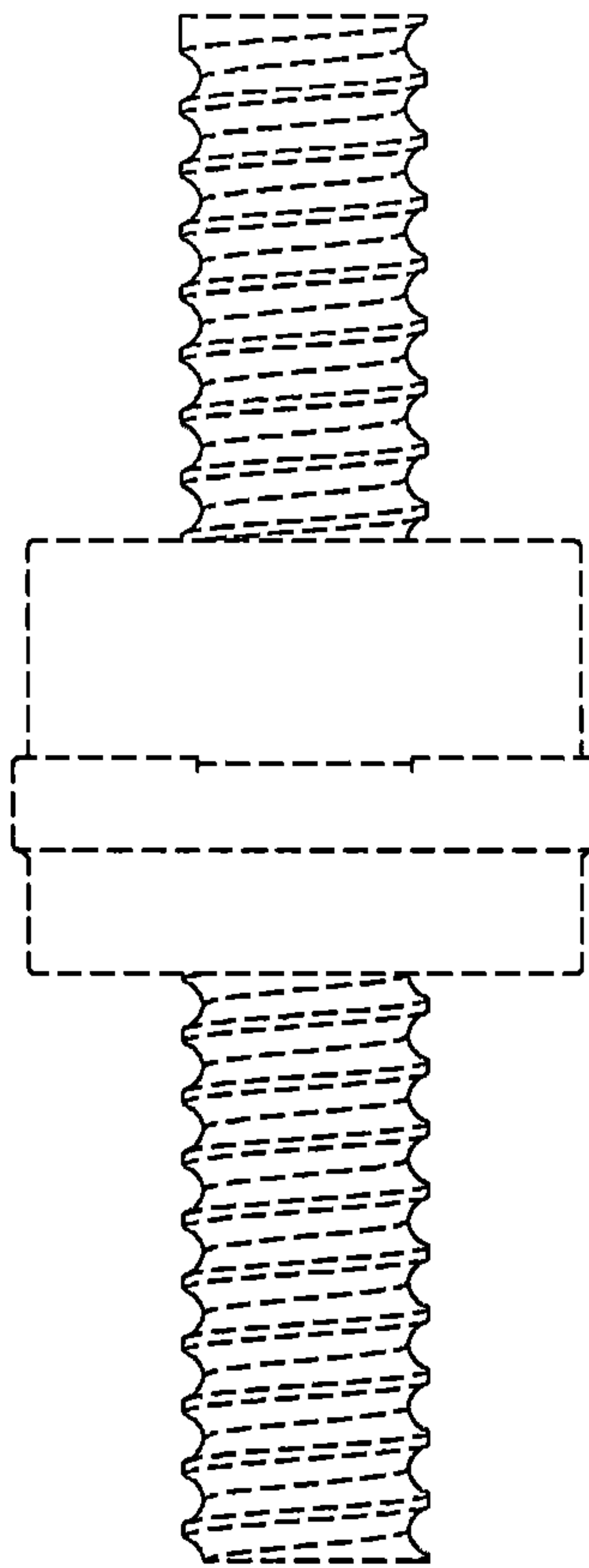
**Fig.4**



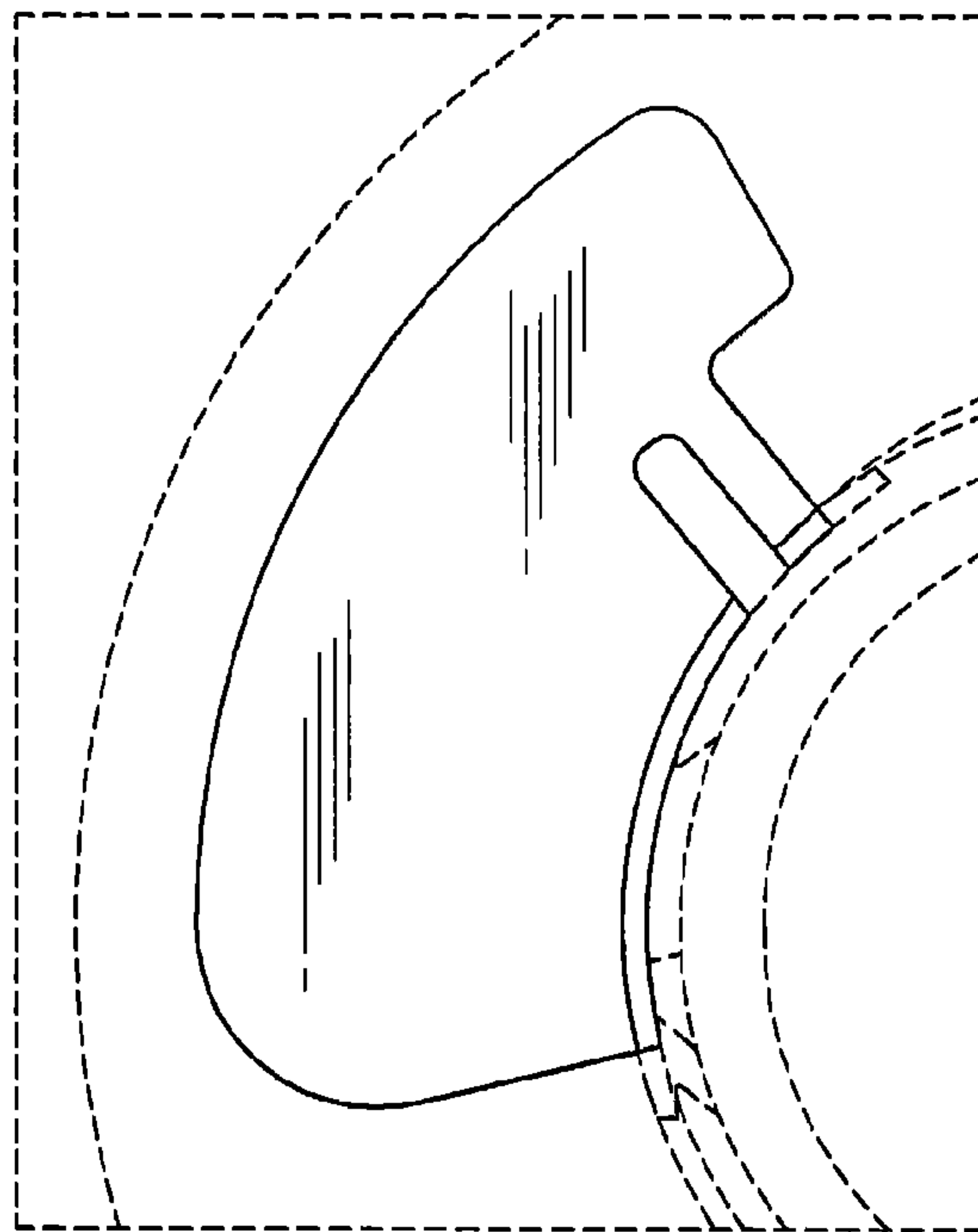
***Fig.5***



**Fig.6**

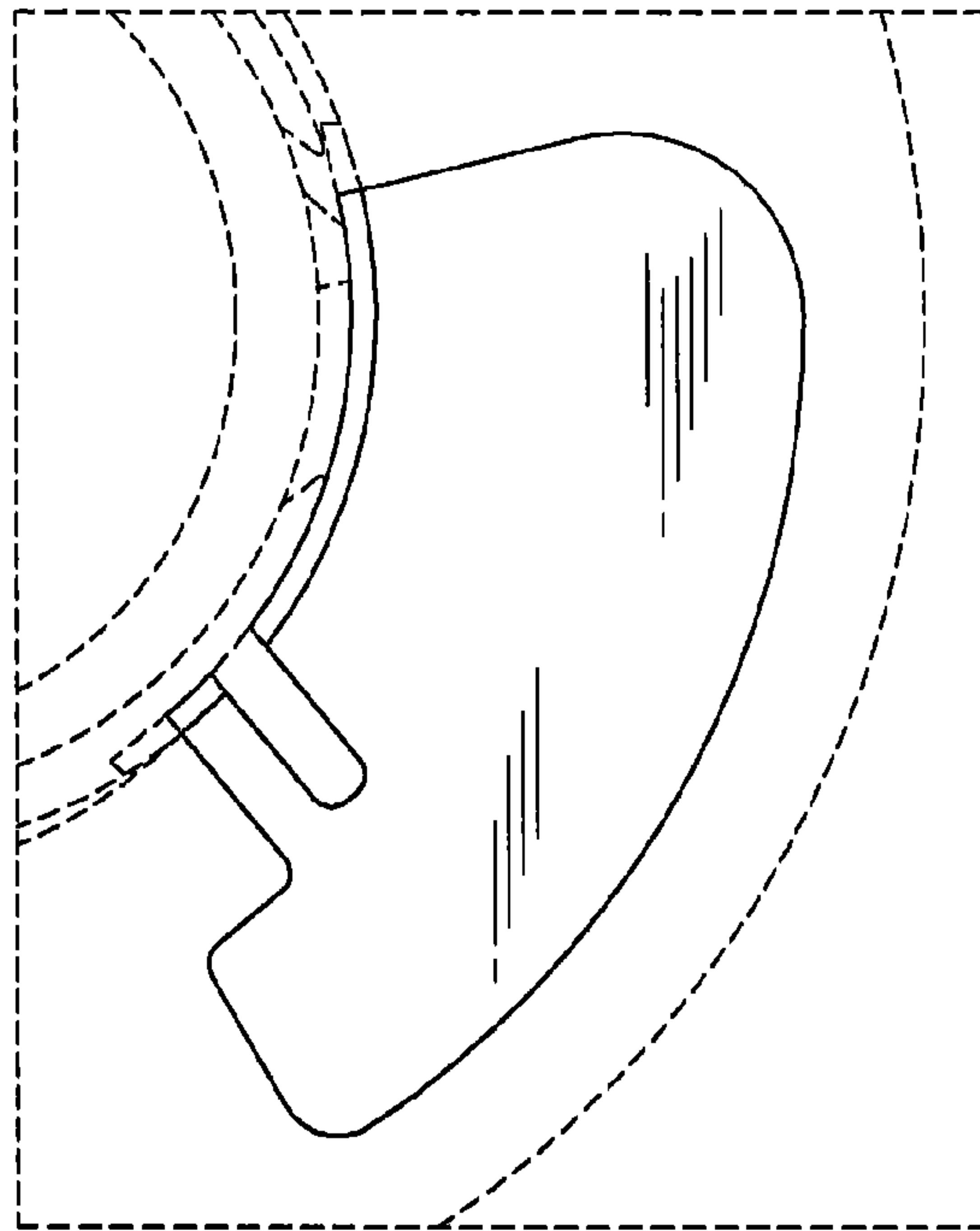


**Fig.7**





**Fig.8**



**Fig.9**

