

US00D725997S

(12) **United States Design Patent**
Dhaliwal

(10) **Patent No.:** **US D725,997 S**

(45) **Date of Patent:** **** Apr. 7, 2015**

(54) **EIFFEL TOWER KEY**

(71) Applicant: **Suklwinder Singh Dhaliwal**,
Sacramento, CA (US)

(72) Inventor: **Suklwinder Singh Dhaliwal**,
Sacramento, CA (US)

(**) Term: **14 Years**

(21) Appl. No.: **29/483,470**

(22) Filed: **Feb. 28, 2014**

(51) **LOC (10) Cl.** **08-07**

(52) **U.S. Cl.**
USPC **D8/348**

(58) **Field of Classification Search**
CPC E05B 11/00; E05B 13/00; E05B 17/00;
E05B 19/00; E05B 19/04
USPC D8/347, 348, 330; 70/51, 393, 401,
70/405-408, 450, 336, 345, 346, 265, 371,
70/271, 423-430
See application file for complete search history.

(56) **References Cited**

U.S. PATENT DOCUMENTS

6,473,022 B1 * 10/2002 Wu 341/176
D501,395 S * 2/2005 Kelleghan D8/356
D566,524 S * 4/2008 Daas D8/347

D633,370 S * 3/2011 Rand D8/348
D658,477 S * 5/2012 van der Lande D8/348
D691,022 S * 10/2013 Rand D8/348
D707,104 S * 6/2014 Rand D8/348
D716,131 S * 10/2014 Rand D8/348

* cited by examiner

Primary Examiner — Prabhakar Deshmukh

(74) *Attorney, Agent, or Firm* — Patent Law Offices of Rick Martin, PC

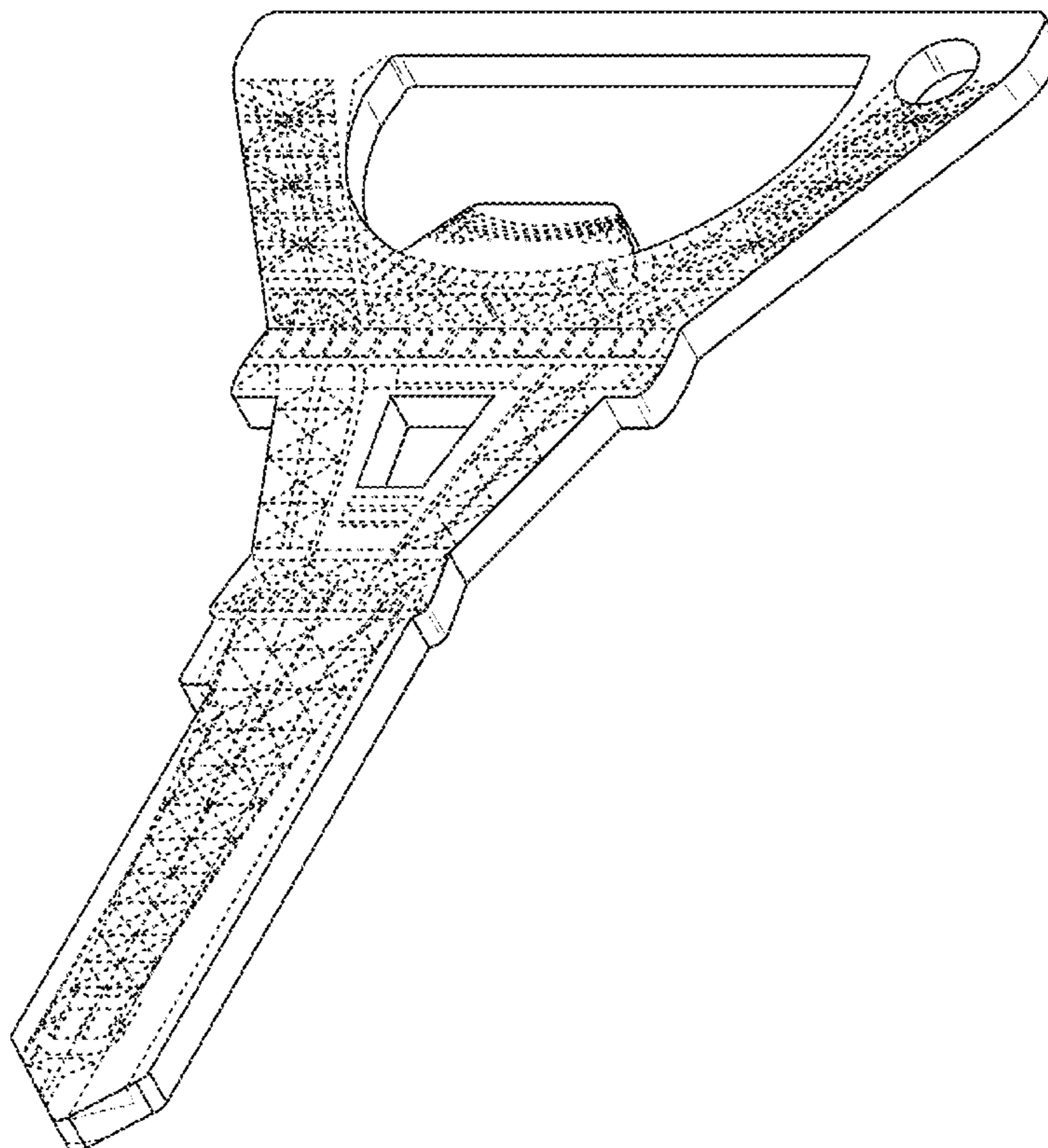
(57) **CLAIM**

The ornamental design for an Eiffel Tower key, as shown and described.

DESCRIPTION

FIG. 1 is a top perspective view of an Eiffel Tower key showing my new design;
FIG. 2 is a top plan view thereof;
FIG. 3 is a bottom plan view thereof;
FIG. 4 is a left side elevational view thereof;
FIG. 5 is a right side elevational view thereof;
FIG. 6 is a rear elevational view thereof; and,
FIG. 7 is a front elevational view thereof.
The broken lines illustrate unclaimed portions and form no part of the claimed design.

1 Claim, 3 Drawing Sheets



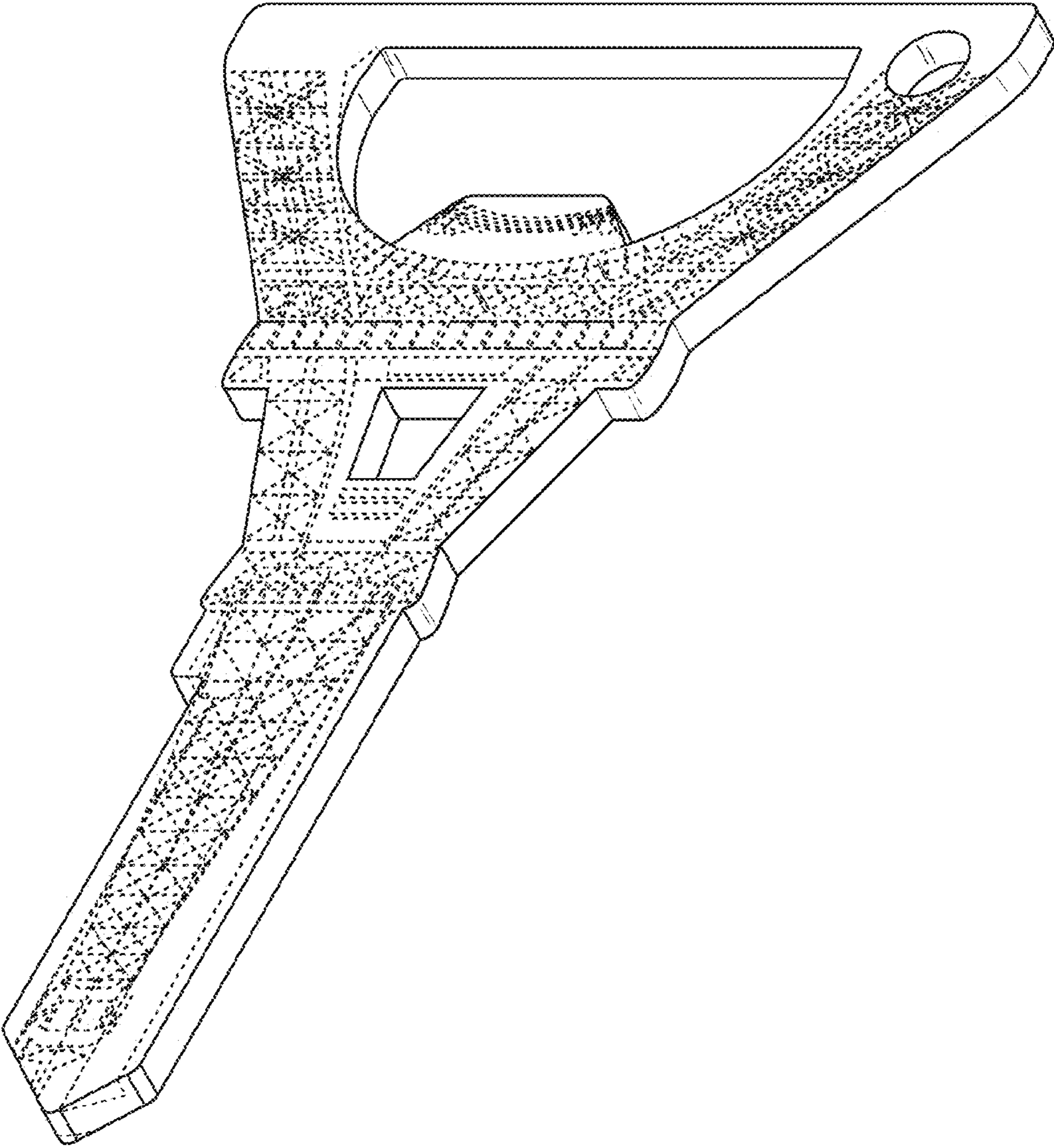


Fig. 1

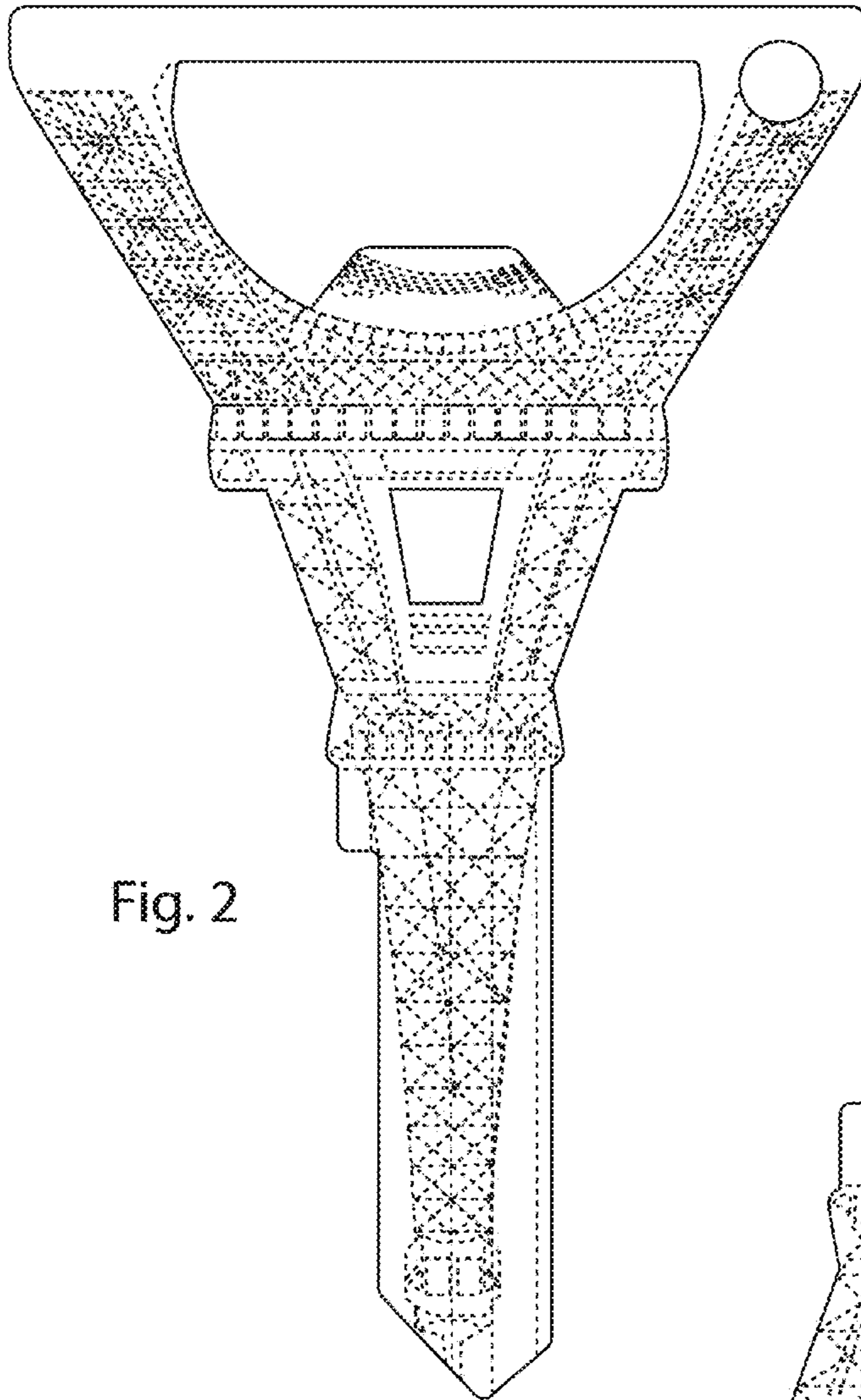


Fig. 2

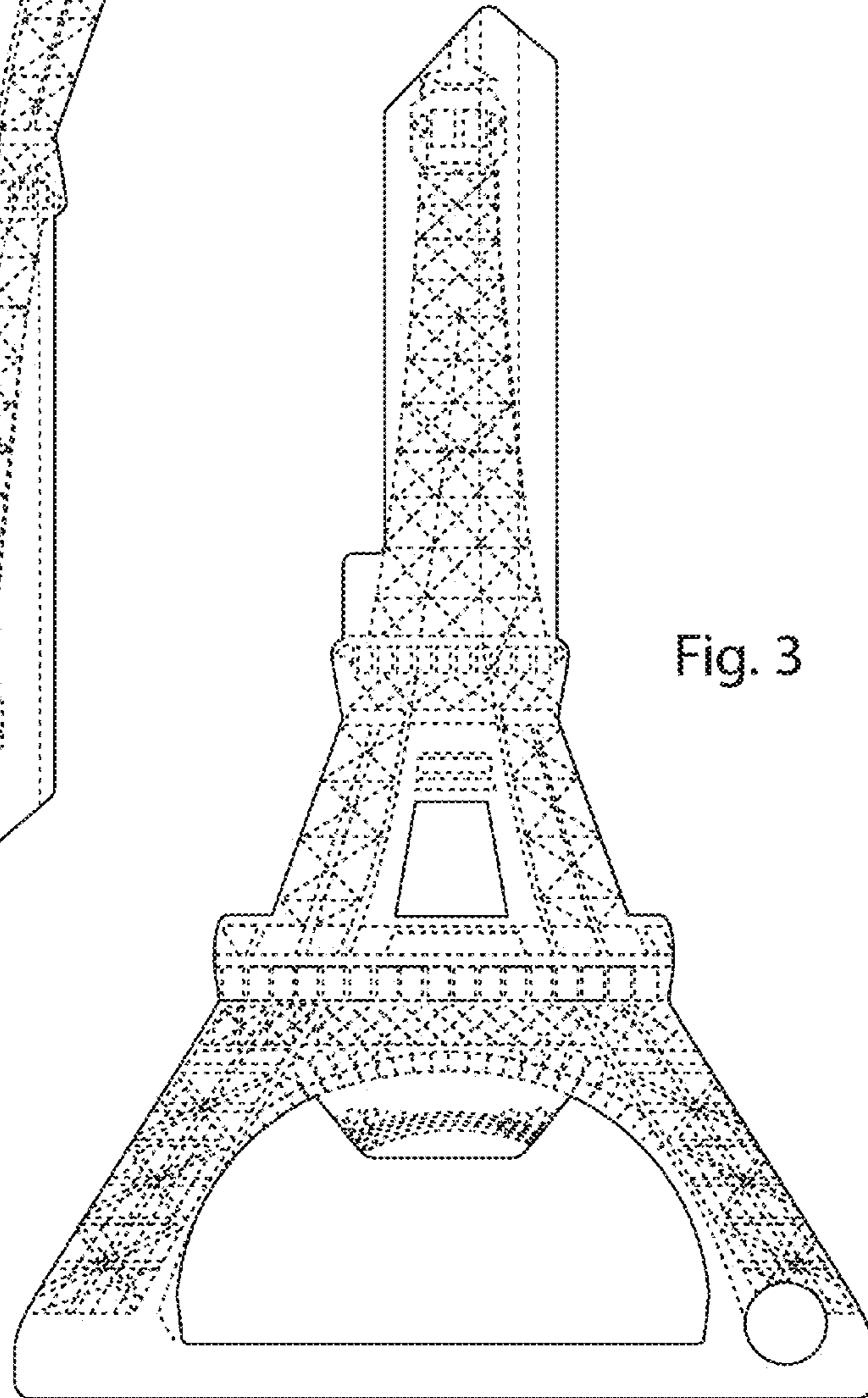


Fig. 3

Fig. 4



Fig. 5



Fig. 6



Fig. 7

