

US00D725996S

(12) **United States Design Patent**
Pellegrini

(10) **Patent No.:** **US D725,996 S**
(45) **Date of Patent:** **** Apr. 7, 2015**

- (54) **TUBULAR KEY CASING**
- (71) Applicant: **AXCOM di Donatella Pellegrini,**
Martina Franca (TA) (IT)
- (72) Inventor: **Bruno Pellegrini,** Marina Franca (IT)
- (**) Term: **14 Years**
- (21) Appl. No.: **29/481,887**
- (22) Filed: **Feb. 11, 2014**

4,349,975	A *	9/1982	Chubb	40/330
D271,279	S *	11/1983	Cziment	D8/347
4,888,970	A *	12/1989	Kinzler et al.	70/456 R
5,561,331	A *	10/1996	Suyama et al.	307/10.3
D382,600	S *	8/1997	Wu	D21/307
6,016,676	A *	1/2000	McConnell	70/408
6,089,060	A *	7/2000	Steeley	70/456 R
D459,972	S *	7/2002	Magnusson	D8/347
8,225,634	B2 *	7/2012	Giacomin et al.	70/456 R
8,528,374	B2 *	9/2013	Katagiri et al.	70/456 R

* cited by examiner

Related U.S. Application Data

- (62) Division of application No. 29/440,059, filed on Dec. 18, 2012, now Pat. No. Des. 705,642.

Primary Examiner — Prabhakar Deshmukh
(74) *Attorney, Agent, or Firm* — Themis Law

(30) **Foreign Application Priority Data**

Sep. 25, 2012 (IT) TA201200005
 Nov. 13, 2012 (WO) 12533

(57) **CLAIM**

The ornamental design for a tubular key casing, as shown and described.

(51) **LOC (10) Cl.** **08-07**

DESCRIPTION

(52) **U.S. Cl.**
USPC **D8/347**

(58) **Field of Classification Search**
 CPC E05B 13/00; E05B 17/00; E05B 19/00;
 E05B 19/0082
 USPC D8/347, 348, 346, 343; 70/456 R, 429,
 70/430, 448, 449, 336, 431, 465
 See application file for complete search history.

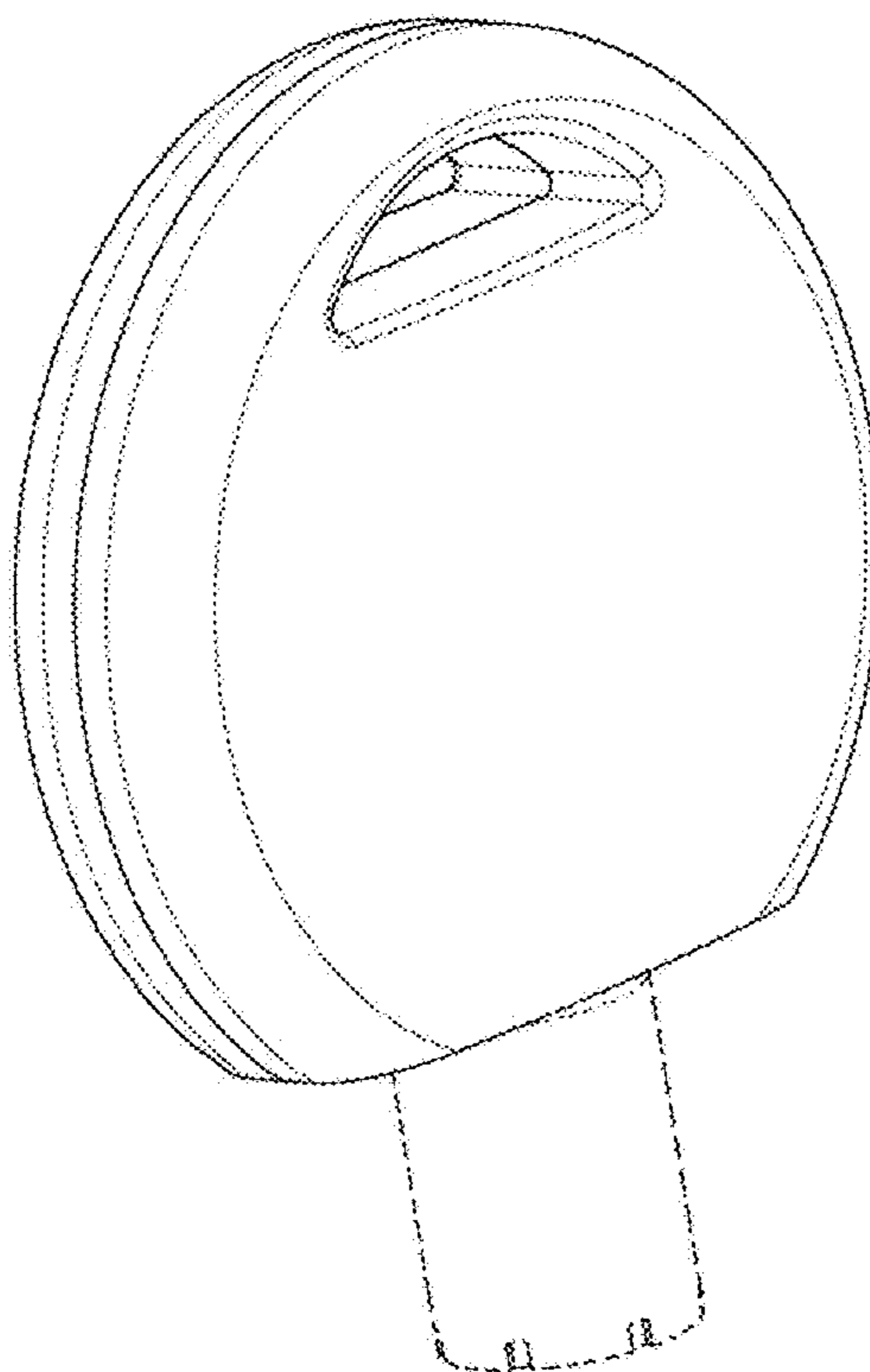
FIG. 1 is a perspective view of a tubular key casing showing my new design;
 FIG. 2 is a front elevational view thereof;
 FIG. 3 is a left side elevational view thereof, the right side being a mirror image;
 FIG. 4 is a rear elevational view thereof;
 FIG. 5 is a second perspective view thereof; and,
 FIG. 6 is an exploded view thereof showing an environment of use.
 The broken lines illustrate the environment and form no part of the claimed design.

(56) **References Cited**

U.S. PATENT DOCUMENTS

3,101,762 A * 8/1963 Birmingham et al. 206/37.3

1 Claim, 6 Drawing Sheets



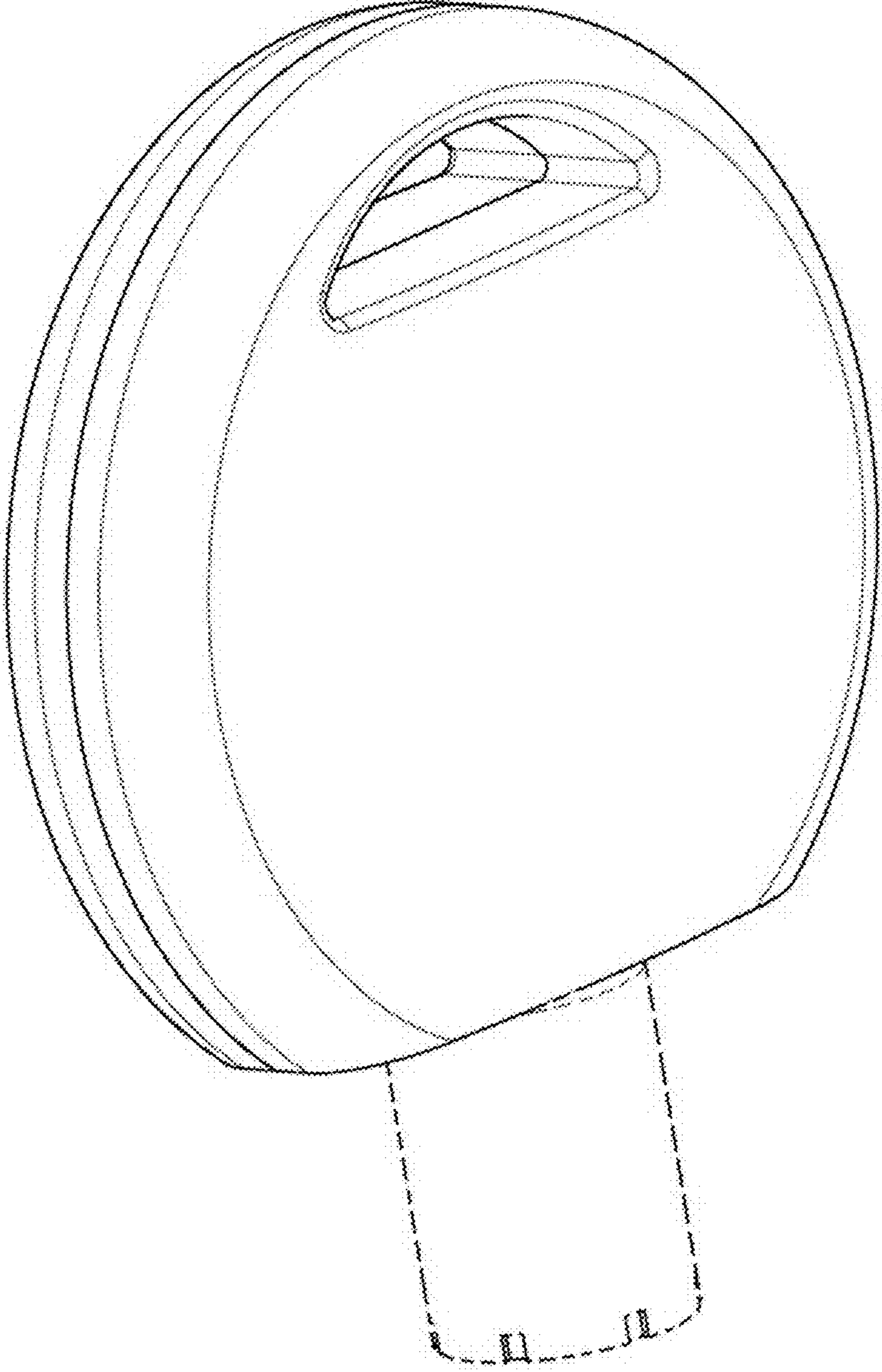


FIG. 1

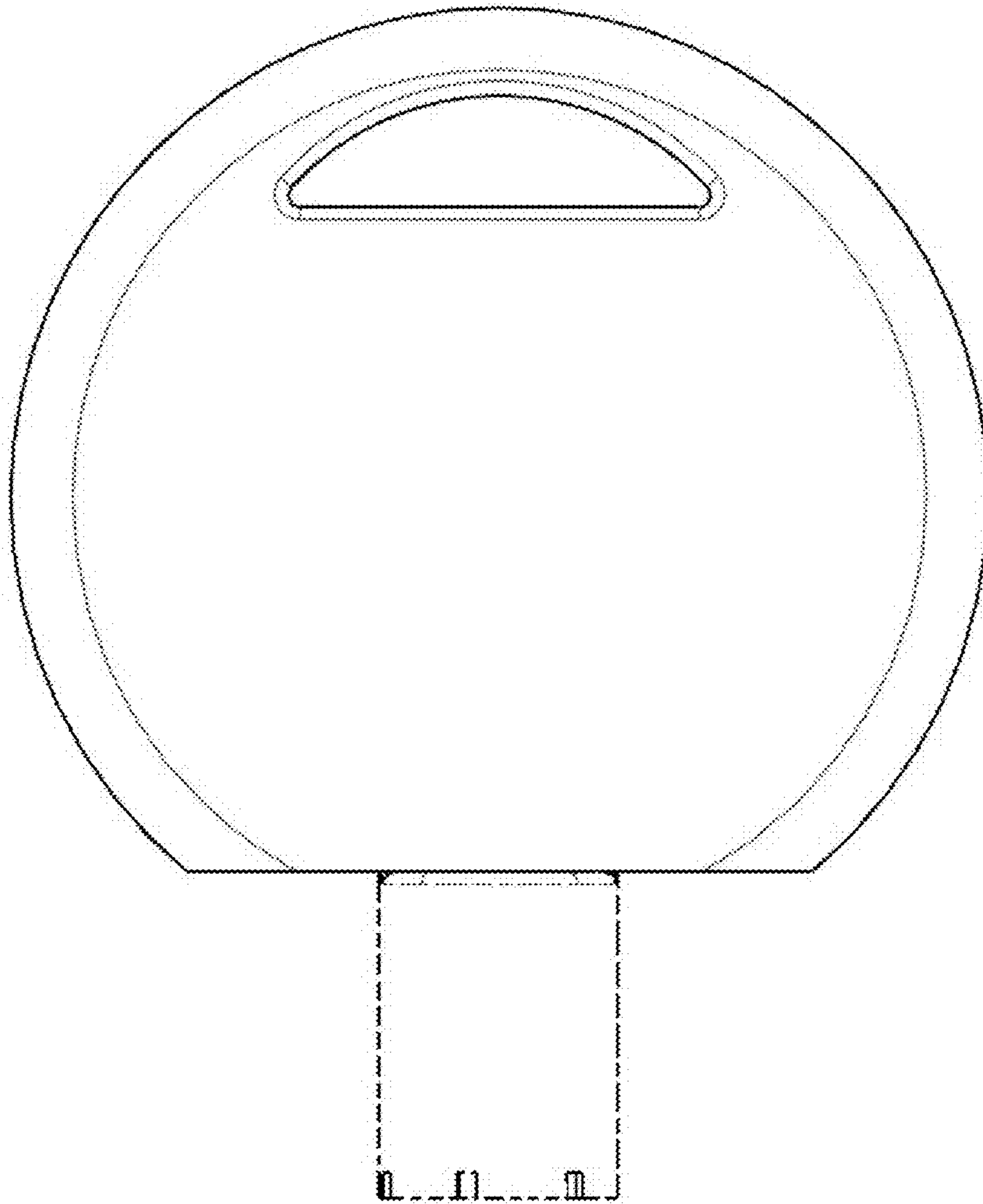


FIG. 2

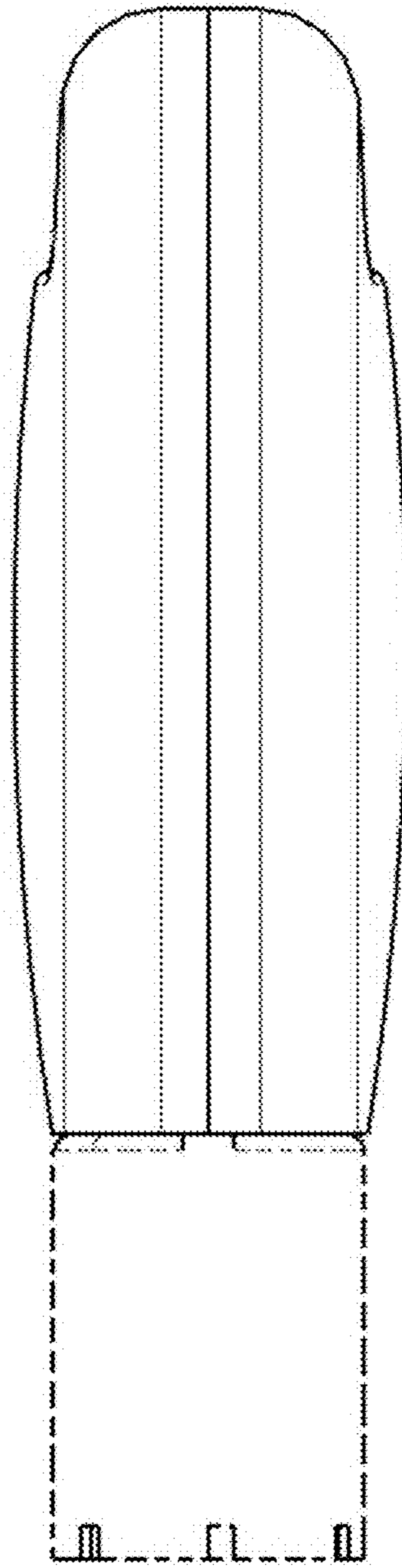


FIG. 3

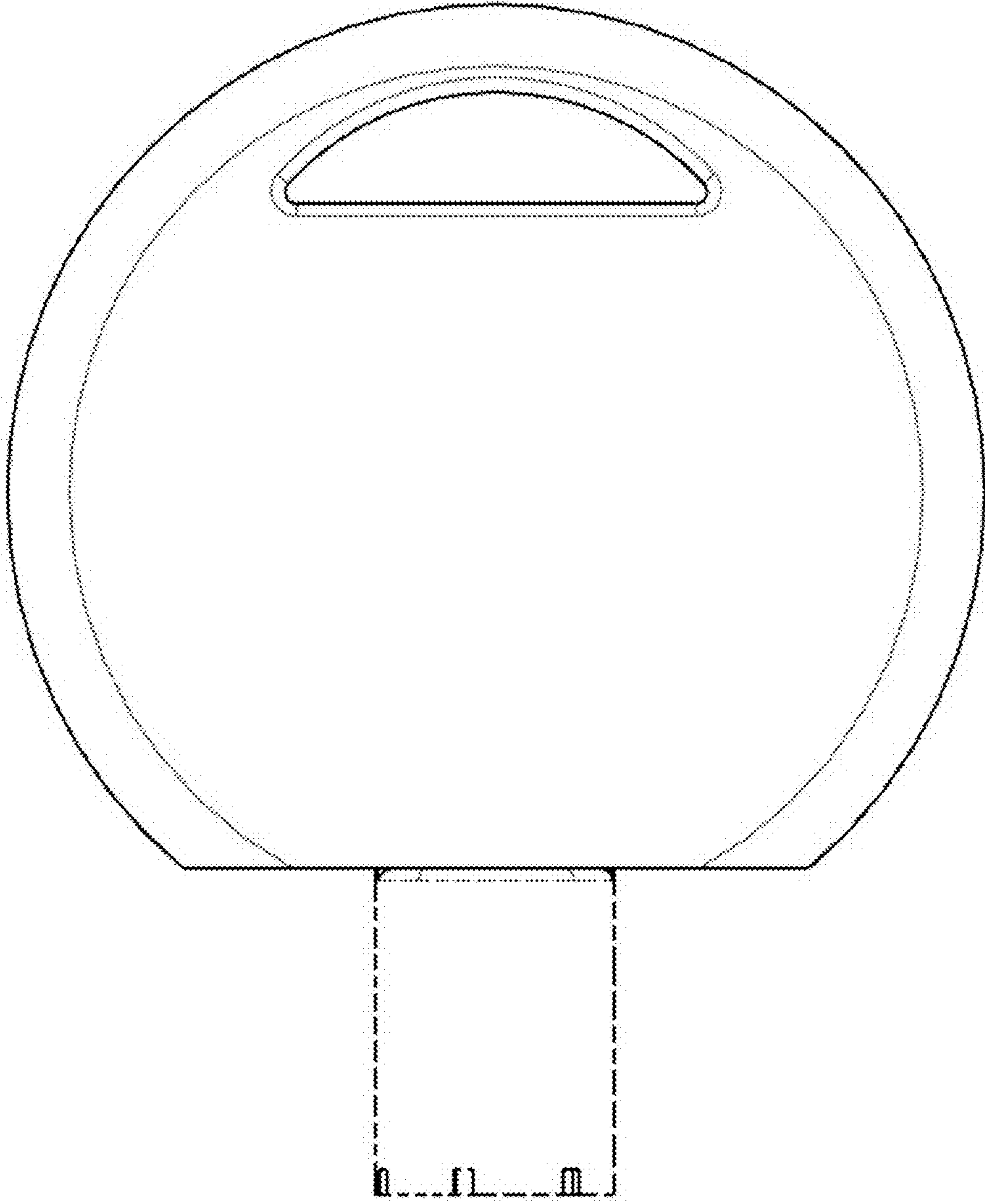


FIG. 4

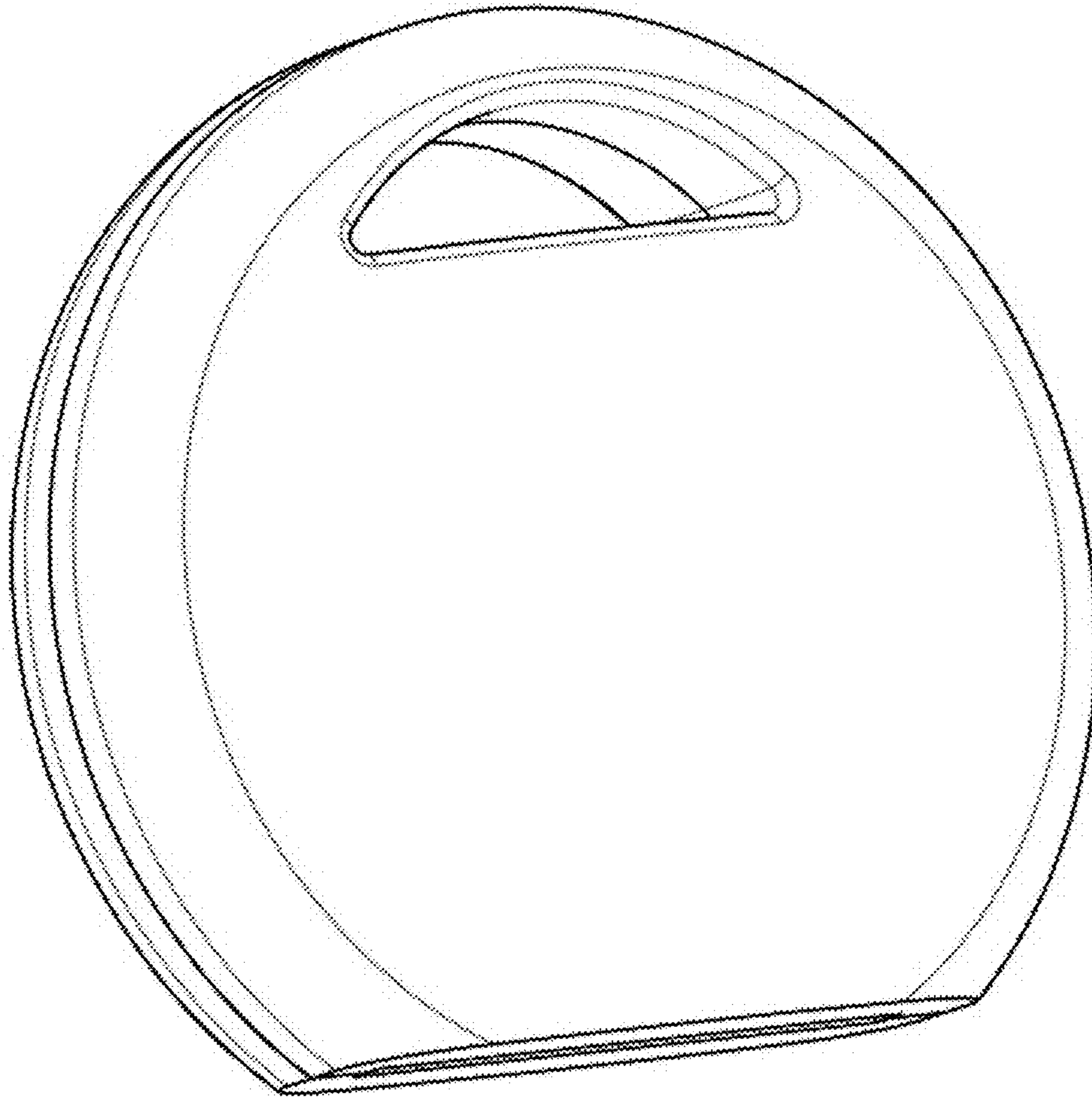


FIG. 5

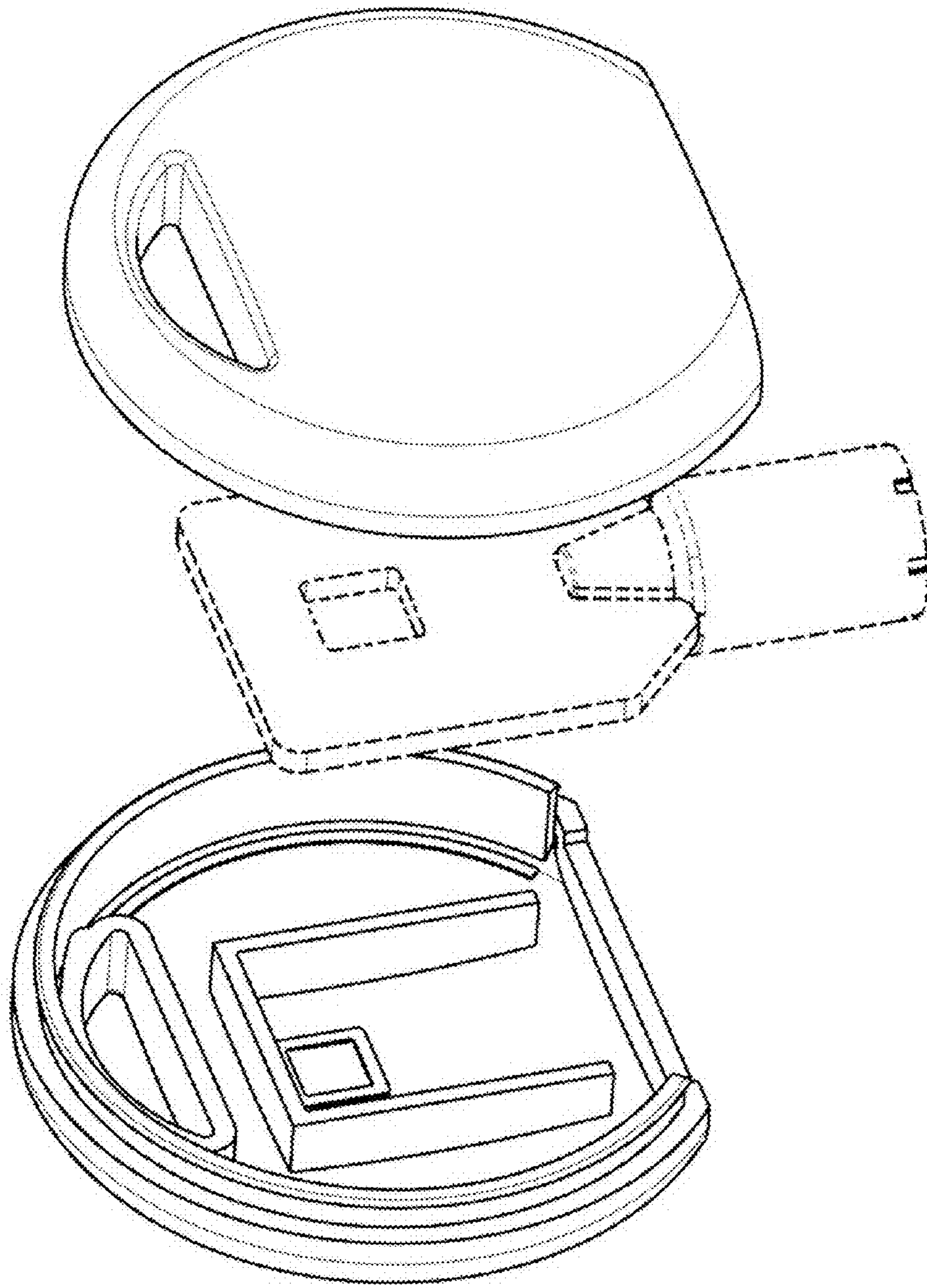


FIG. 6