



US00D725991S

(12) **United States Design Patent**
Nasr et al.

(10) **Patent No.:** **US D725,991 S**
(45) **Date of Patent:** **** Apr. 7, 2015**

(54) **LOCKING ELEMENT**

(71) Applicant: **Tiger Profiles and Insulation LLC,**
Sharjah (AE)

(72) Inventors: **Bernard Robert Nasr,** Dubai (AE);
Kerry Allan Hayes, Dubai (AE)

(73) Assignee: **Tiger Profiles and Insulation LLC,**
Sharjah (AE)

(**) Term: **14 Years**

(21) Appl. No.: **29/433,539**

(22) Filed: **Oct. 1, 2012**

(30) **Foreign Application Priority Data**

Mar. 30, 2012 (NZ) 416102

(51) **LOC (10) Cl.** **08-07**

(52) **U.S. Cl.**
USPC **D8/330**

(58) **Field of Classification Search**
USPC D8/330, 331, 336, 343, 346, 349, 400,
D8/499; 70/105, 14, 57, 57.12, 58, 52,
70/266, 262, 431, 465, 466
See application file for complete search history.

(56) **References Cited**

U.S. PATENT DOCUMENTS

6,390,307 B1 * 5/2002 Stelter 211/60.1
6,481,581 B2 * 11/2002 Sipe 211/4

D523,732 S * 6/2006 Farrar et al. D8/346
D564,337 S * 3/2008 Brojanac et al. D8/330
D564,859 S * 3/2008 Brojanac et al. D8/330
7,540,177 B1 * 6/2009 Luo 70/278.1
D620,340 S * 7/2010 Liljeqvist et al. D8/330
8,037,723 B2 * 10/2011 Fong 70/58

* cited by examiner

Primary Examiner — Prabhakar Deshmukh

(74) *Attorney, Agent, or Firm* — Young & Thompson

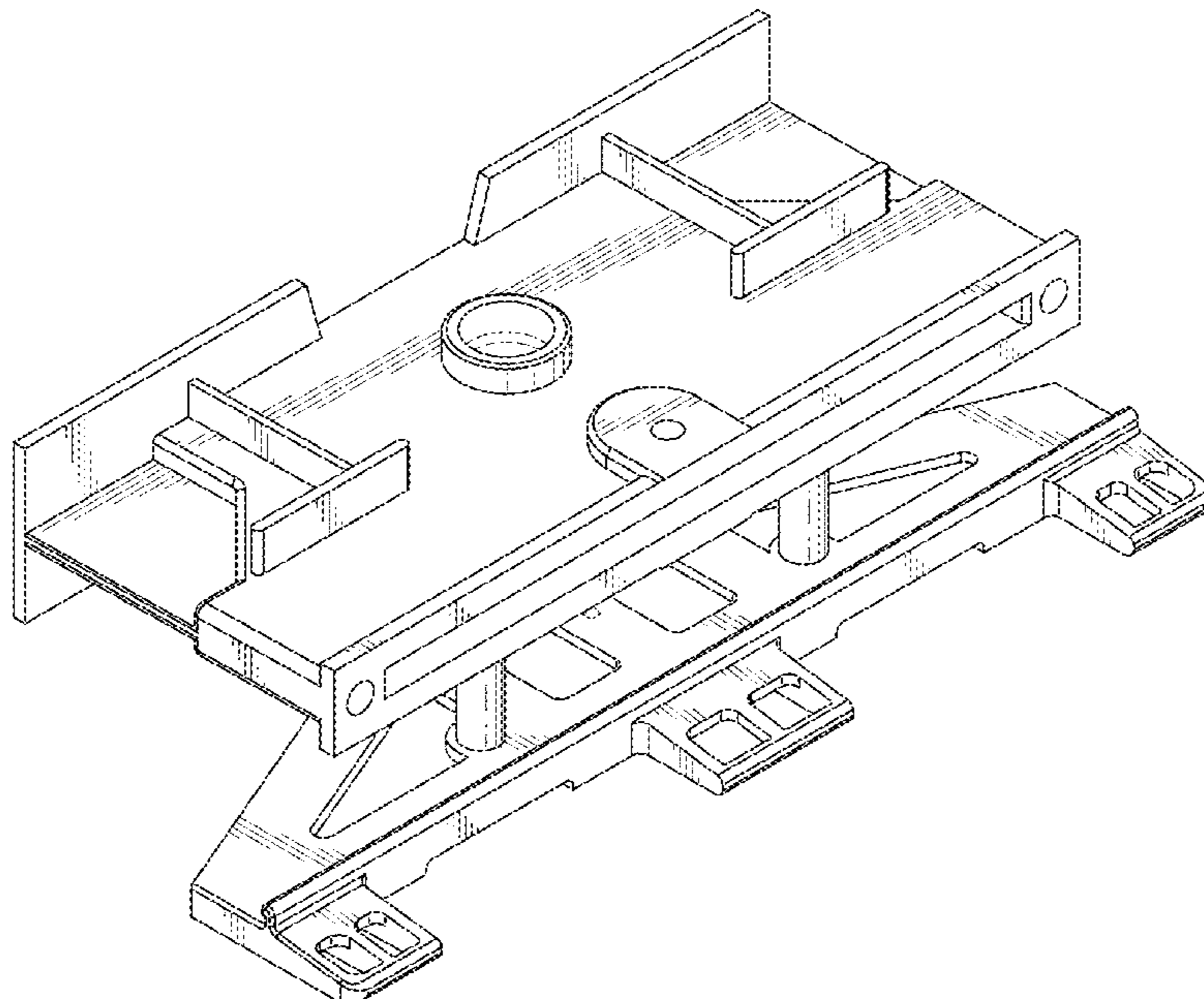
(57) **CLAIM**

The ornamental design for a locking element, as shown and described.

DESCRIPTION

FIG. 1 is a rear, top, and left side perspective view of a locking element showing the new design;
FIG. 2 is a rear elevation view thereof;
FIG. 3 is a right side elevation view thereof;
FIG. 4 is a left side elevation view thereof;
FIG. 5 is a top plan view thereof; and,
FIG. 6 a bottom plan view thereof.
The portions of the design shown in broken lines show unclaimed subject matter and form no part of the claimed design.

1 Claim, 5 Drawing Sheets



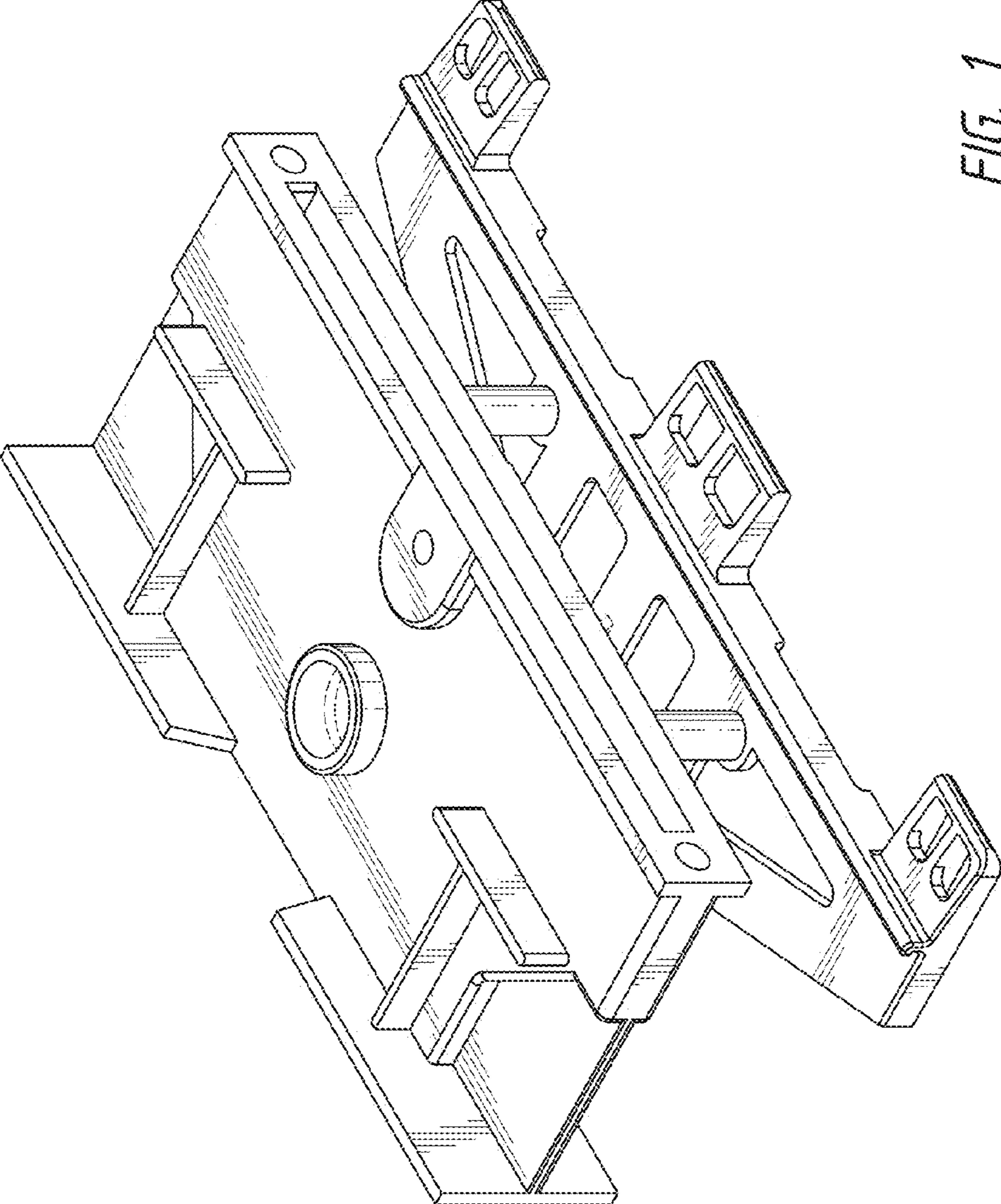


FIG. 1

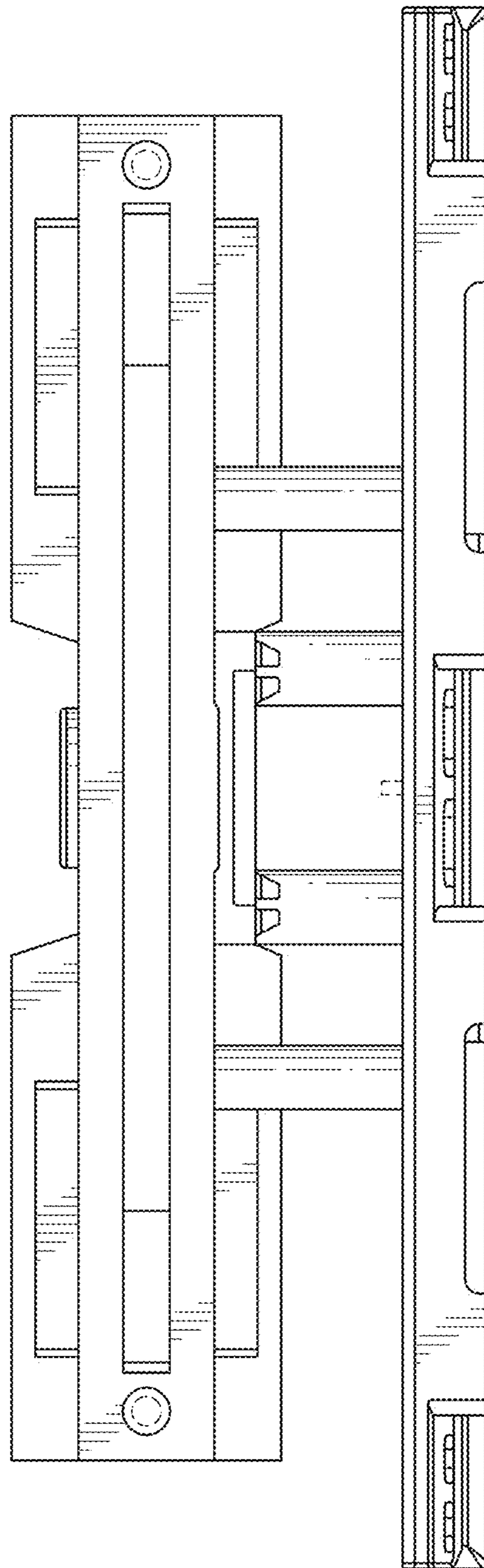


FIG. 2

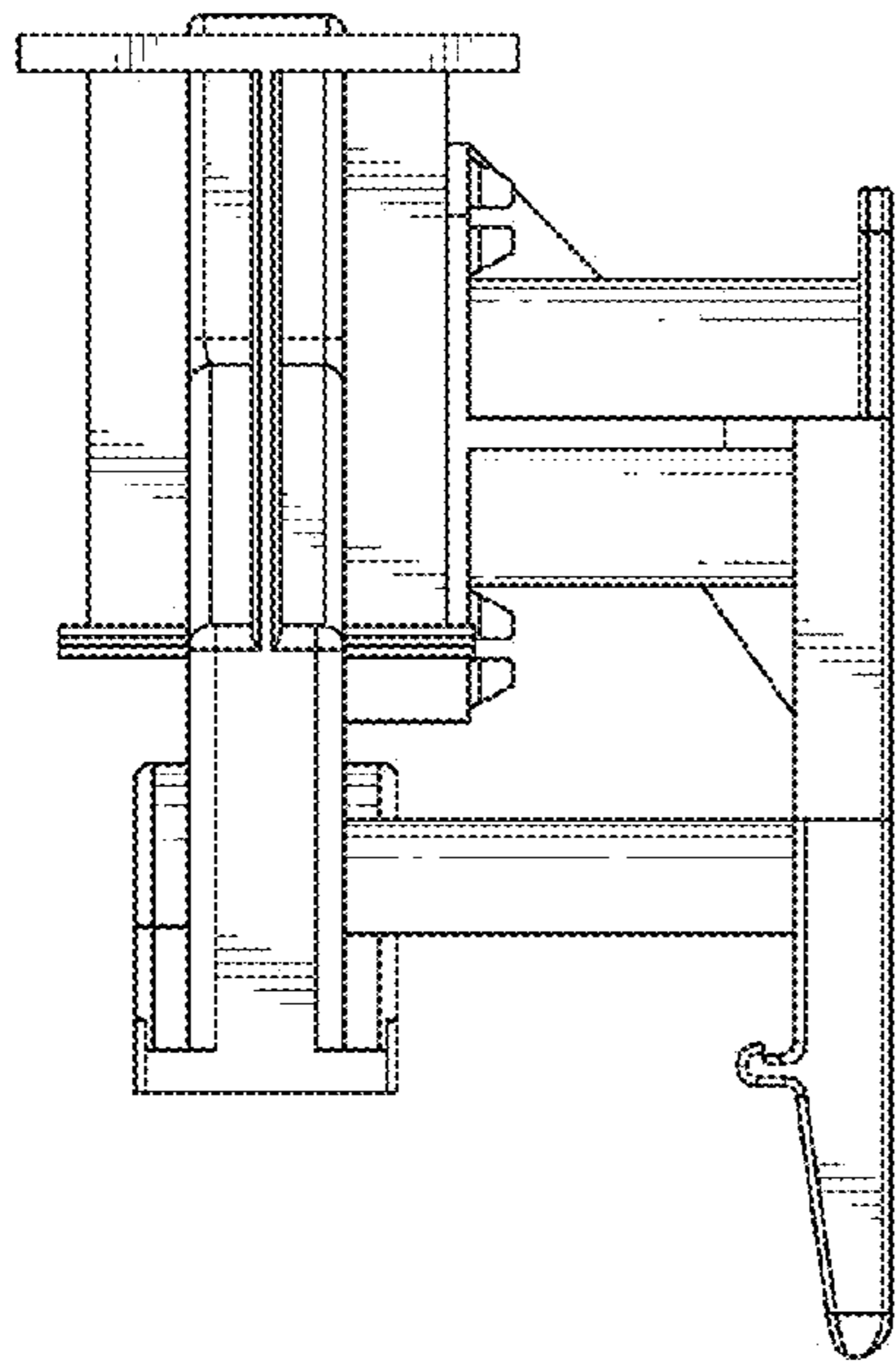


FIG. 3

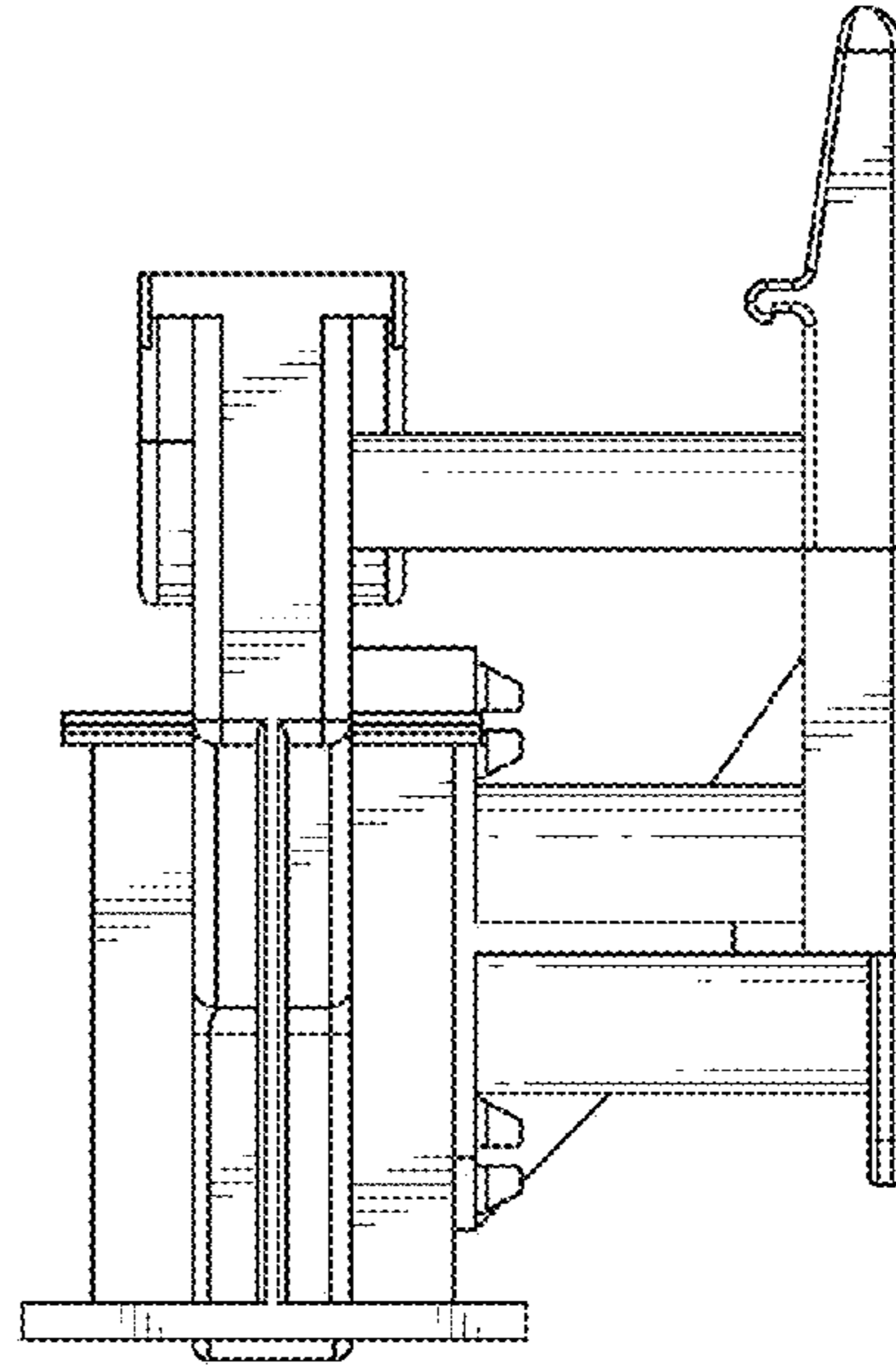


FIG. 4

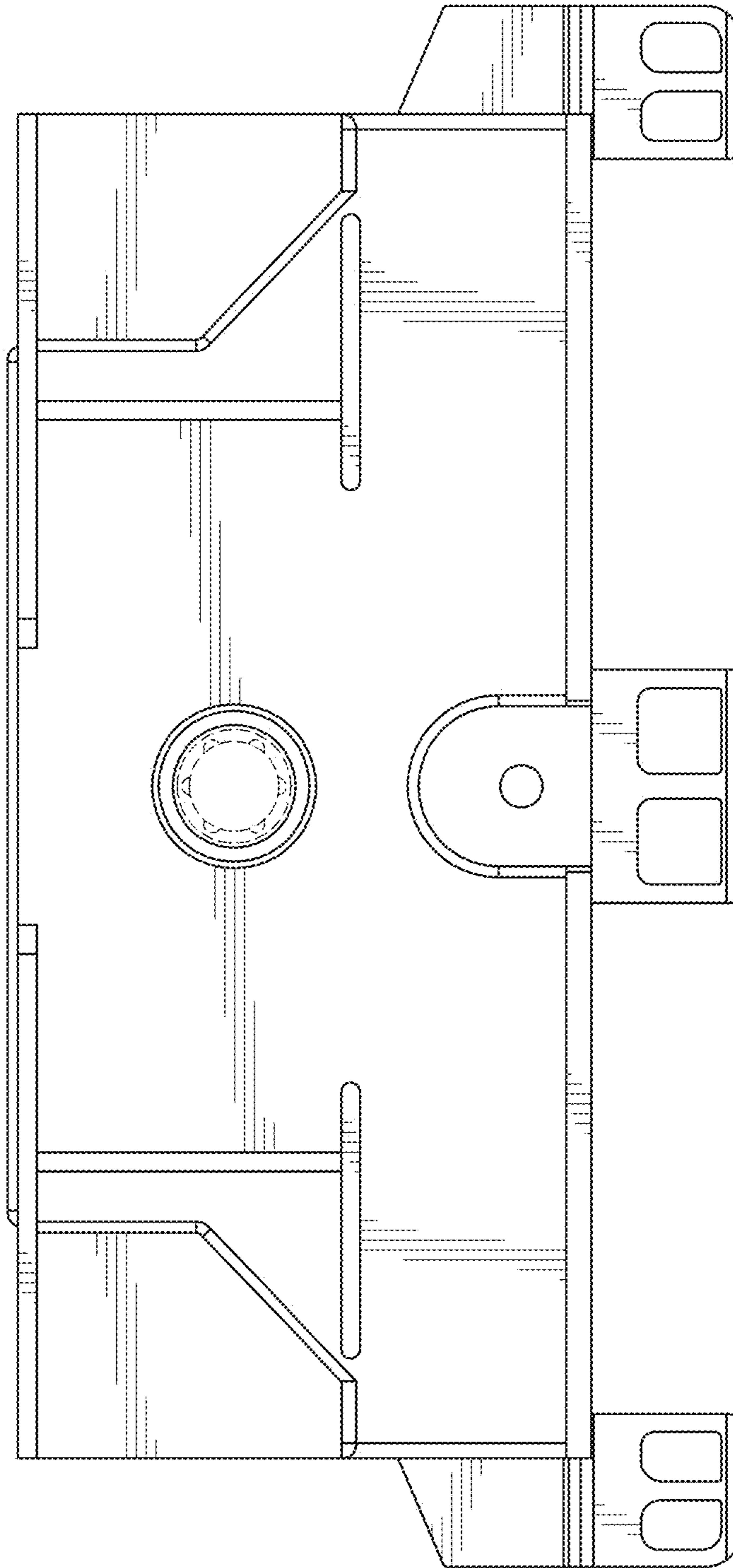


FIG. 5

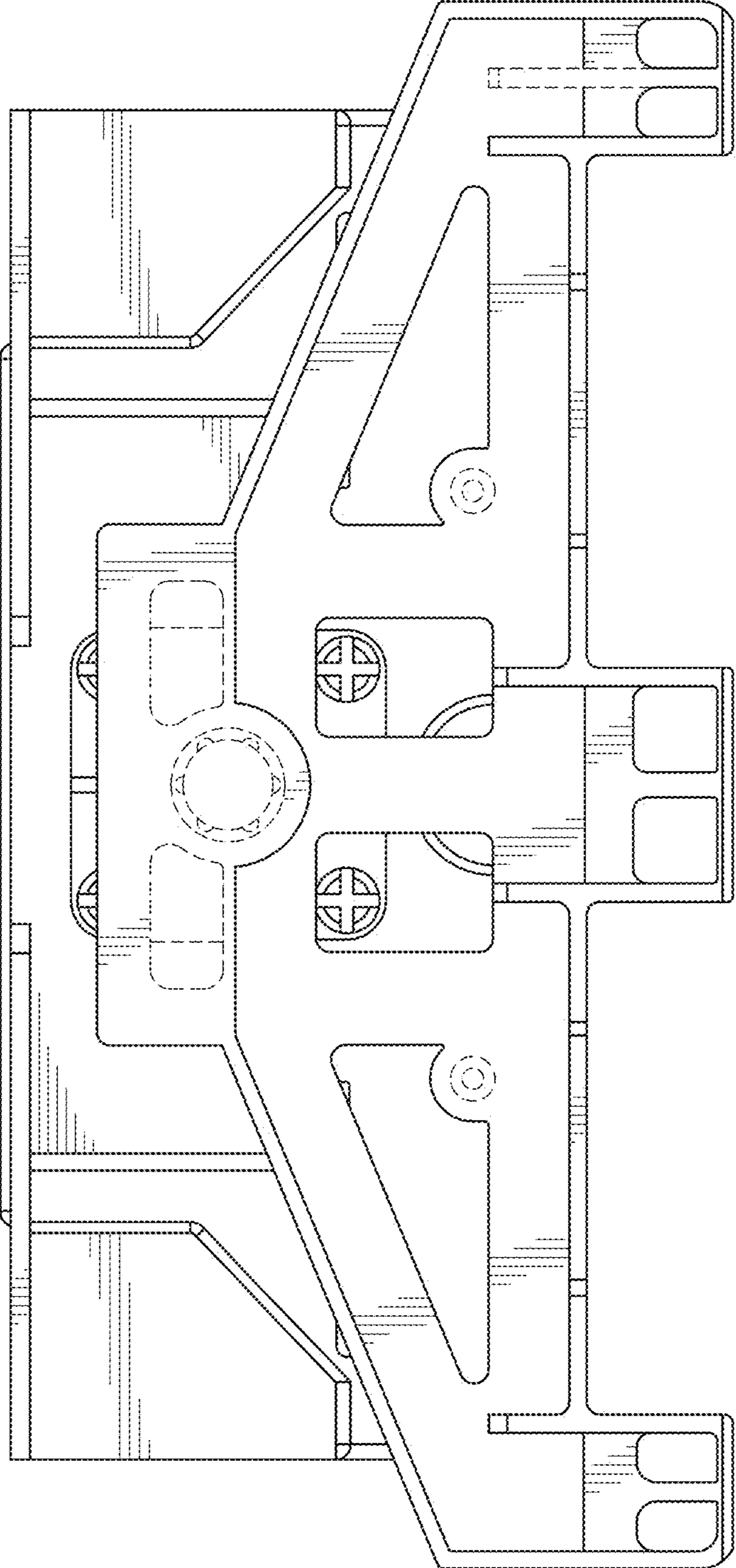


FIG. 6