



US00D725990S

(12) **United States Design Patent**
Zheng

(10) **Patent No.:** **US D725,990 S**

(45) **Date of Patent:** **** Apr. 7, 2015**

(54) **HINGE**

(71) Applicant: **Jing Zheng**, New York, NY (US)

(72) Inventor: **Jing Zheng**, New York, NY (US)

(73) Assignee: **Haze Collection, LLC**, New York, NY (US)

(**) Term: **14 Years**

(21) Appl. No.: **29/472,723**

(22) Filed: **Nov. 15, 2013**

(51) **LOC (10) Cl.** **08-06**

(52) **U.S. Cl.**
USPC **D8/323**

(58) **Field of Classification Search**
USPC 220/575; 206/521.15; 24/302, 16 R,
24/306, 17 R; 439/501; 381/374; D14/217,
D14/205; D8/323, 327, 323.349, 356;
16/225, 250, 682, 309, 235, 275, 244,
16/379, 390, 430, 241, 238, 245, 236, 243,
16/242, 385, 331, 274; D23/303; 4/236,
4/240

See application file for complete search history.

(56) **References Cited**

U.S. PATENT DOCUMENTS

D311,677 S * 10/1990 Headrick D8/323
D392,175 S * 3/1998 Beck D8/323
D402,881 S * 12/1998 Fischer D8/354

8,479,679 B1 * 7/2013 Wiese 116/173
D707,099 S * 6/2014 Nicholson D8/323
D710,181 S * 8/2014 Christensen et al. D8/323
D714,614 S * 10/2014 Sarnowski et al. D8/323

* cited by examiner

Primary Examiner — Cynthia Underwood

(74) *Attorney, Agent, or Firm* — Andrew F. Young, Esq.;
Lackenbach Siegel, LLP

(57) **CLAIM**

The ornamental design for a hinge, as shown and described.

DESCRIPTION

FIG. 1 is a top front perspective view of the invention, shown in a closed position.

FIG. 2 is a top plan view of FIG. 1.

FIG. 3 is a front elevation view of FIG. 1.

FIG. 4 is a left side elevation view of FIG. 1.

FIG. 5 is a right side elevation view of FIG. 1.

FIG. 6 rear elevation view of FIG. 1.

FIG. 7 is a bottom plan view of FIG. 1.

FIG. 8 is a top front perspective view of the invention, shown in an open position.

FIG. 9 is a top plan view of FIG. 8.

FIG. 10 is a front elevation view of FIG. 8.

FIG. 11 is a left side elevation view of FIG. 8.

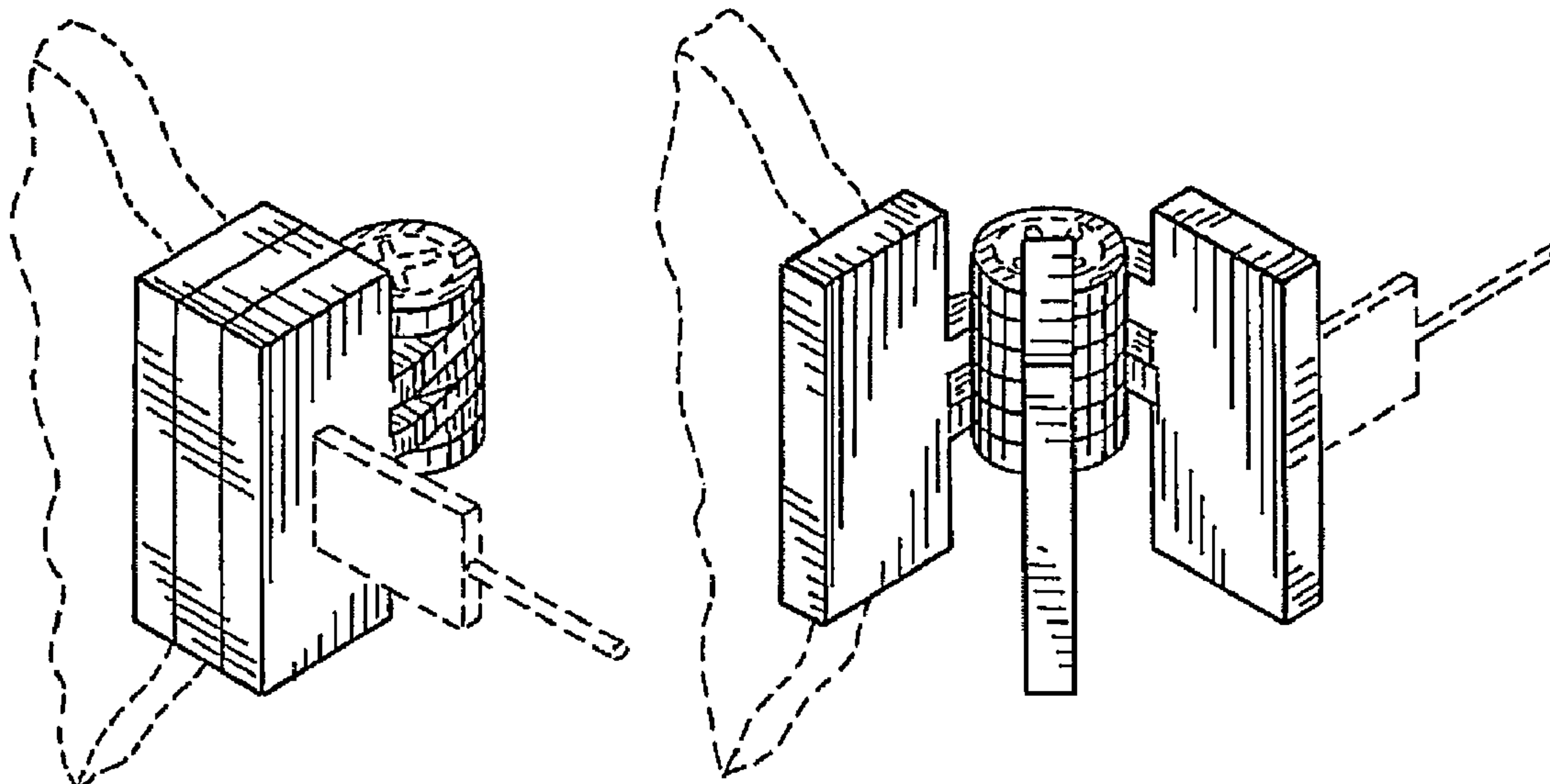
FIG. 12 is a right side elevation view of FIG. 8.

FIG. 13 rear elevation view of FIG. 8; and,

FIG. 14 is a bottom plan view of FIG. 8.

The broken lines are included for illustrative purposes only and form no part of the claim.

1 Claim, 4 Drawing Sheets



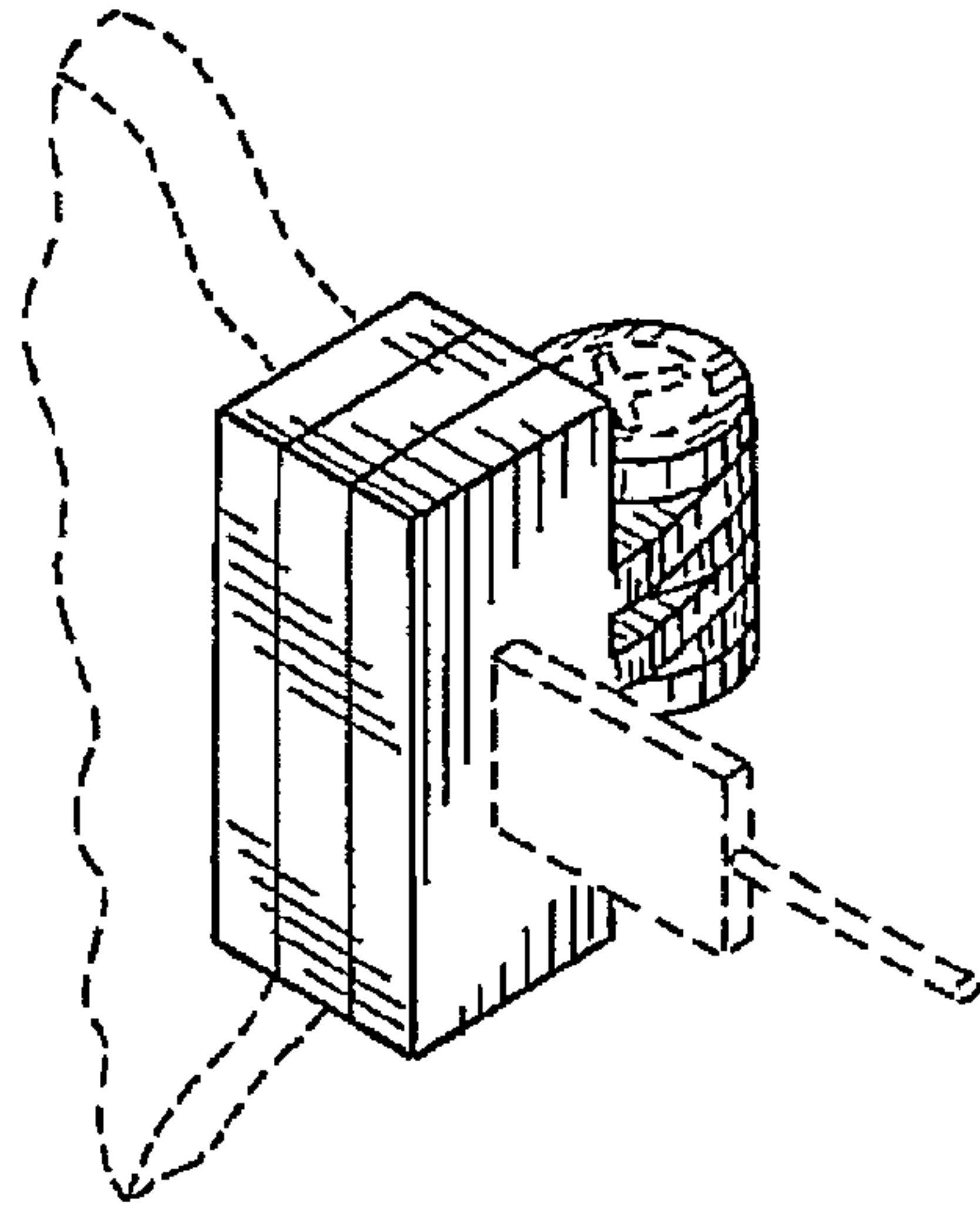


FIG. 1

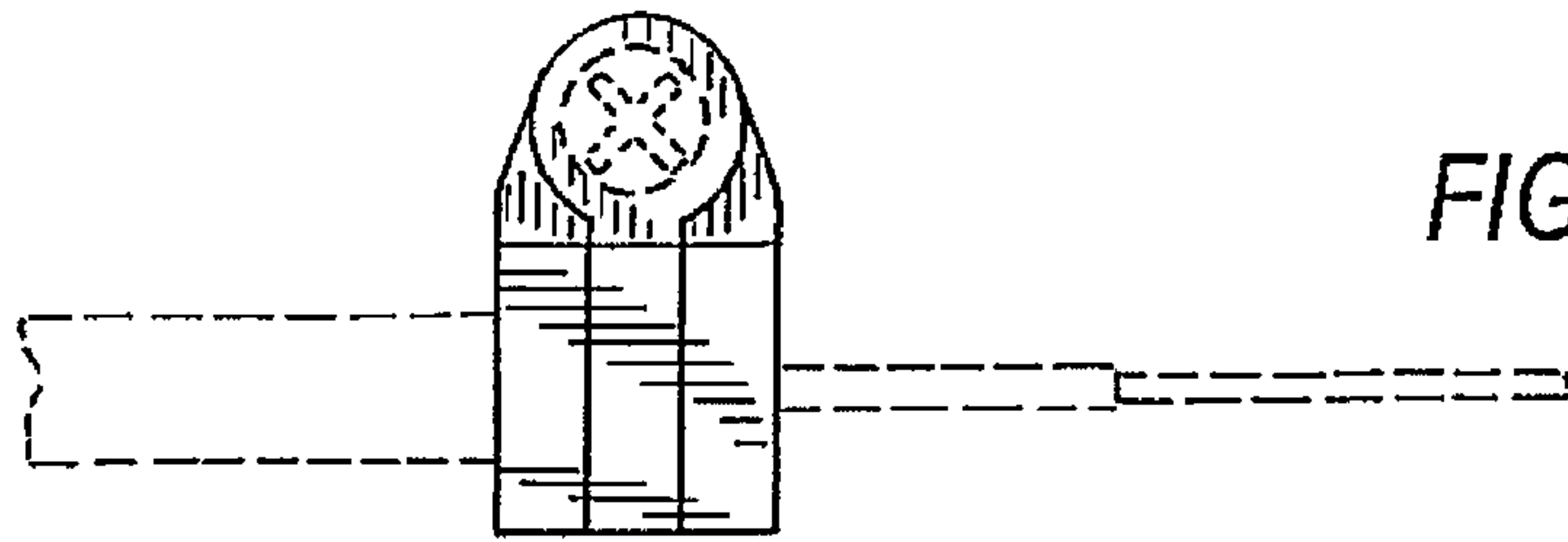


FIG. 2

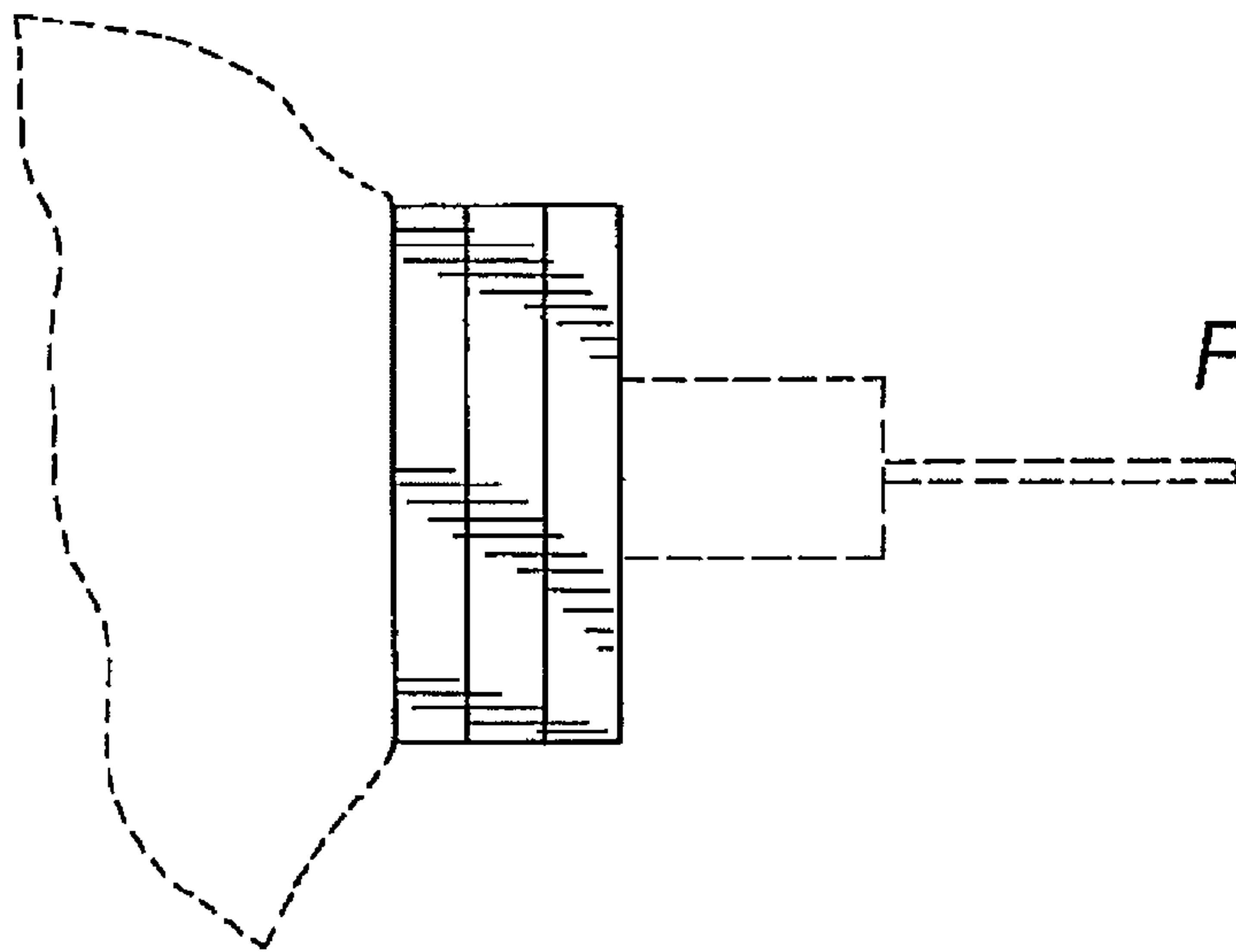


FIG. 3

FIG. 4

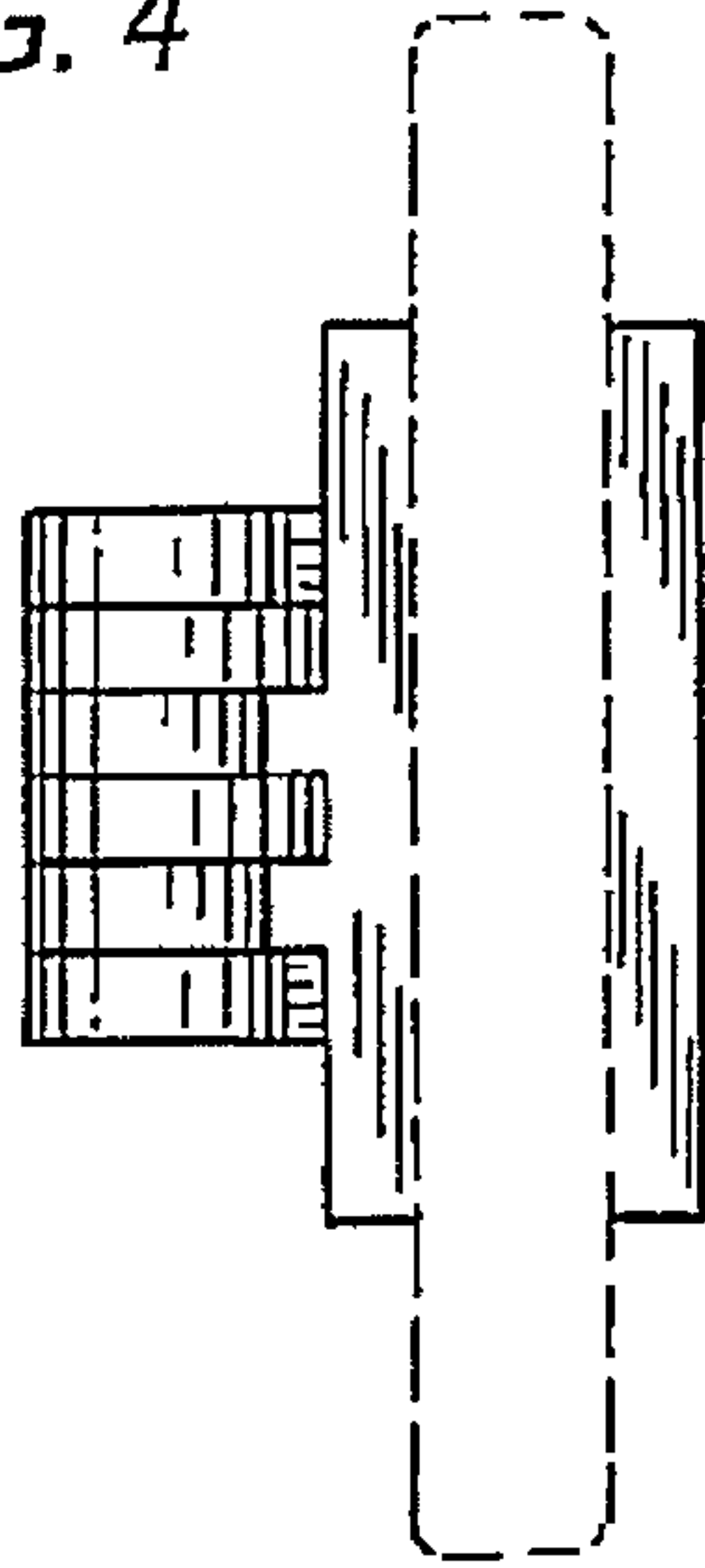


FIG. 5

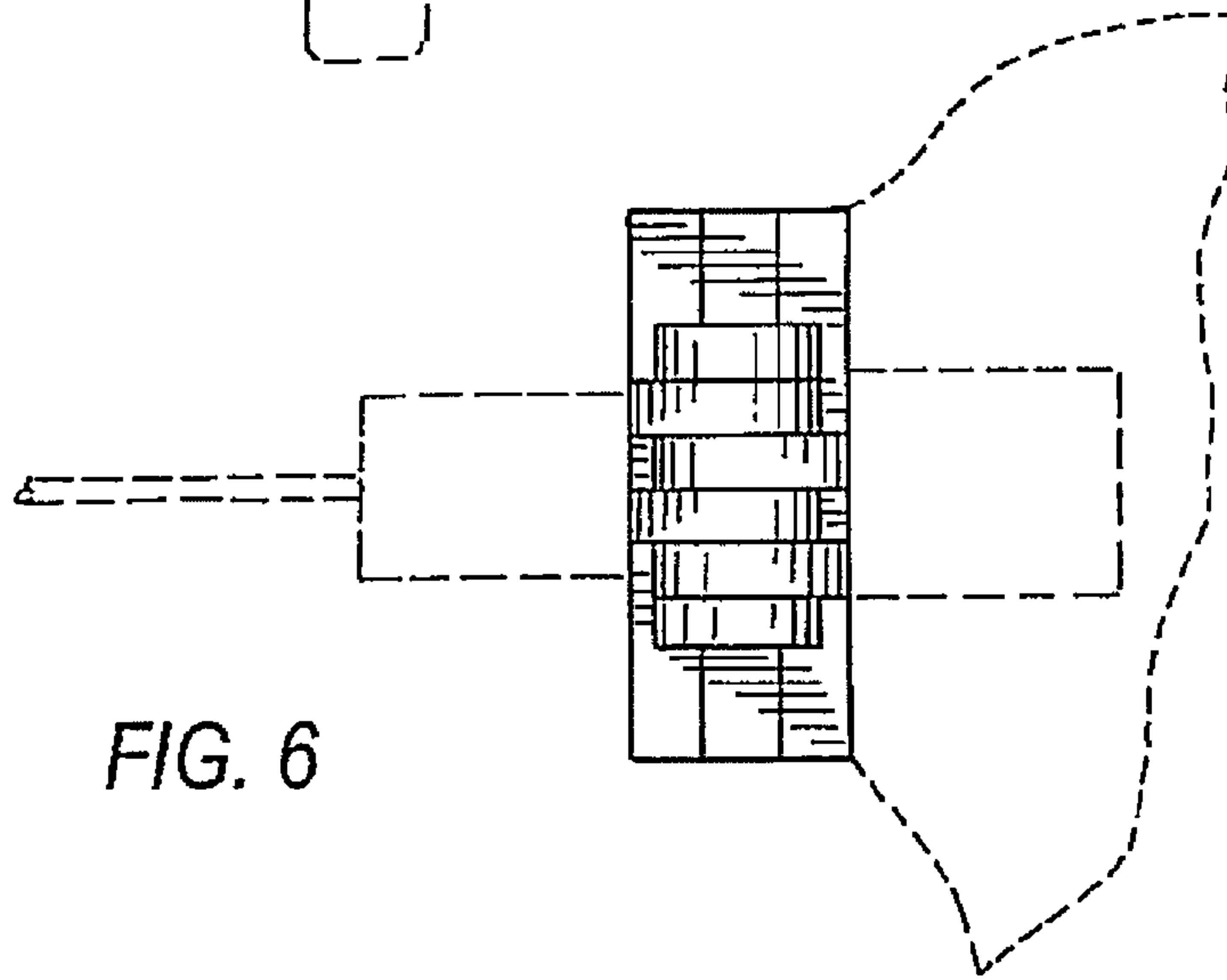
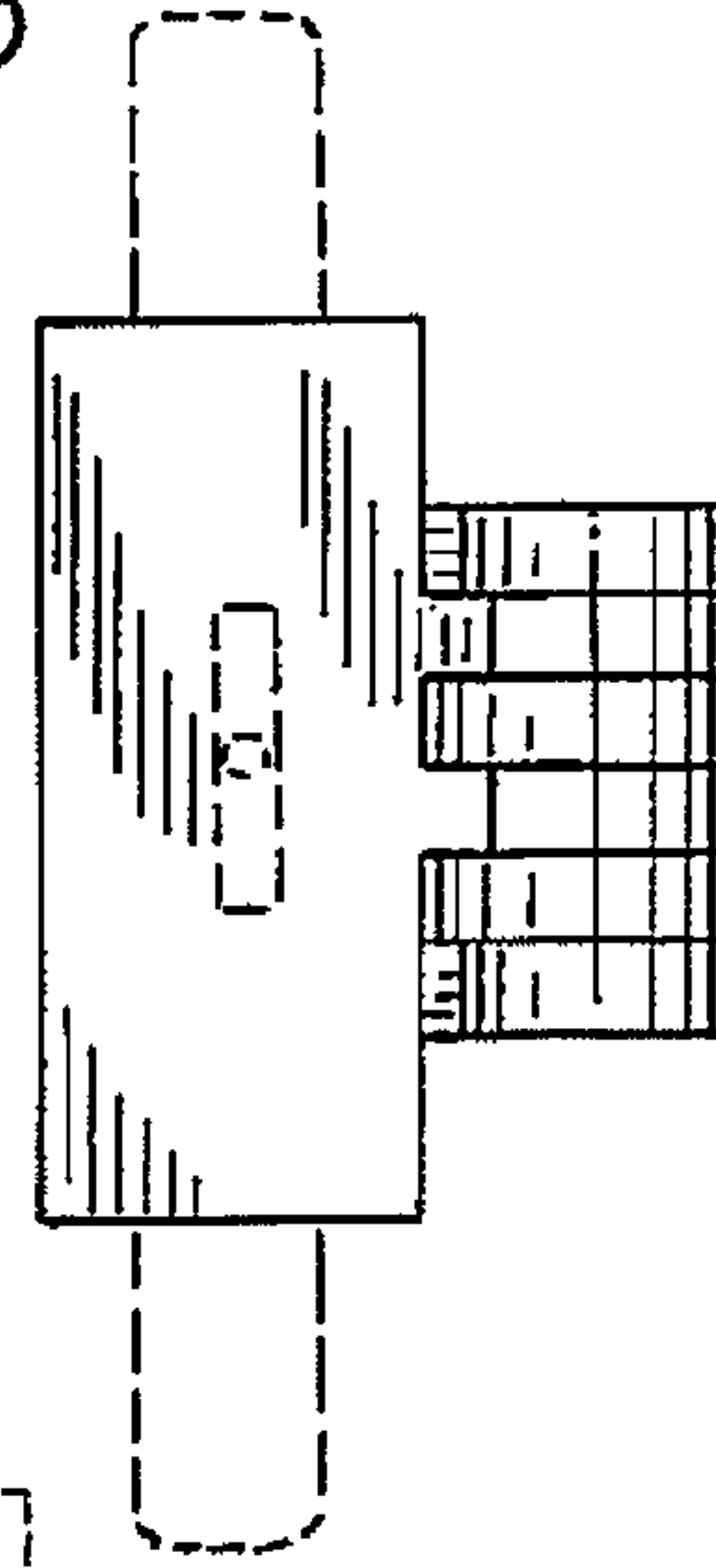


FIG. 6

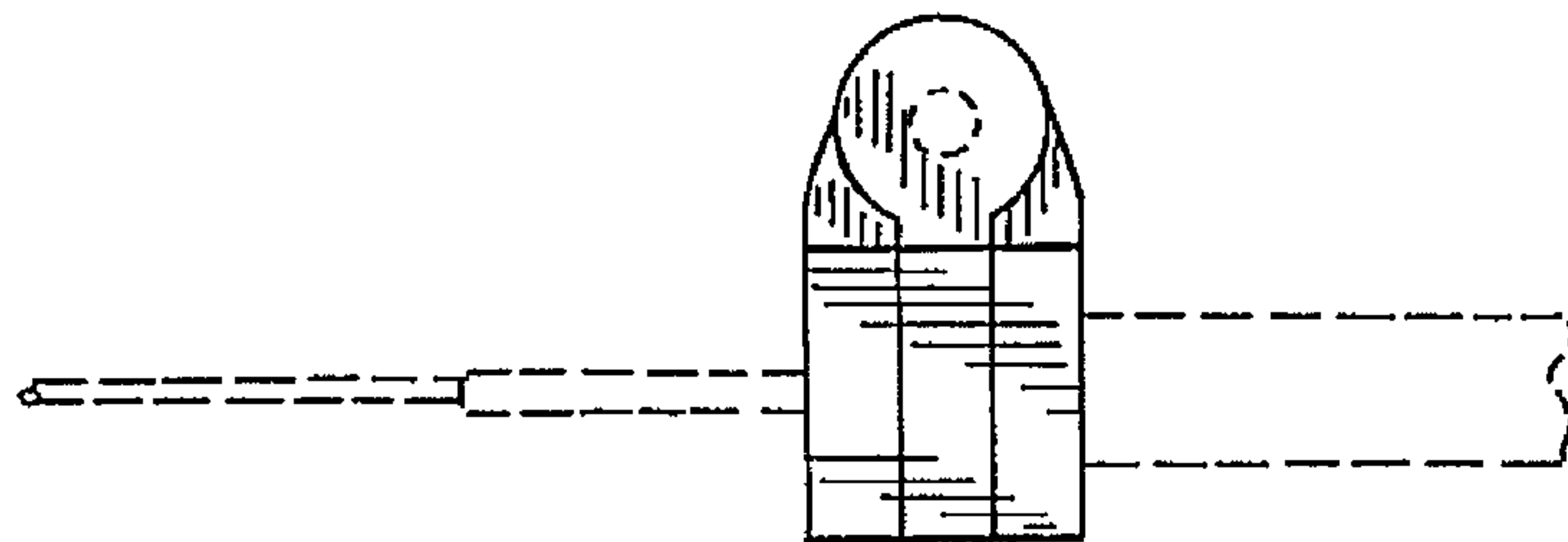


FIG. 7

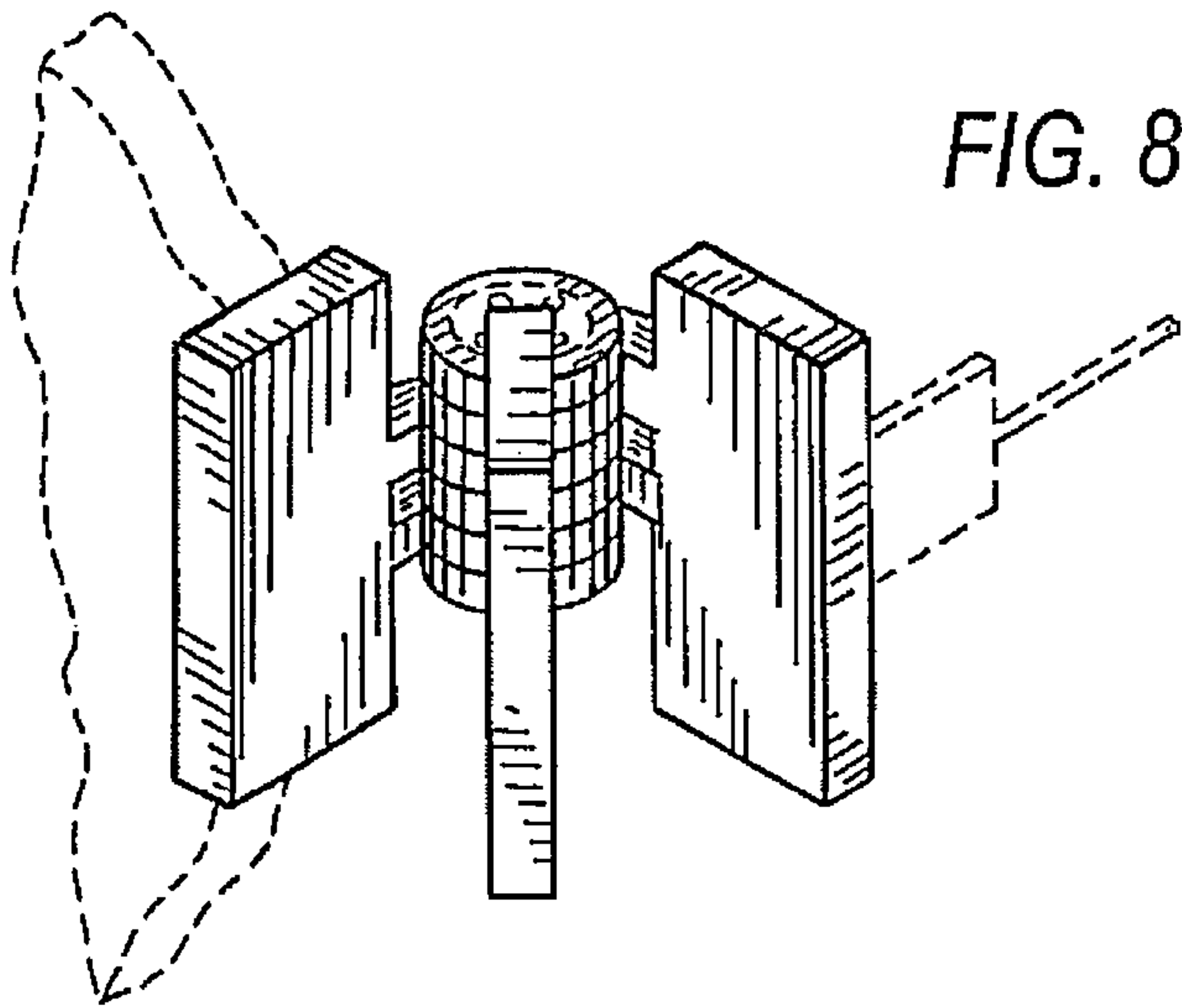


FIG. 8

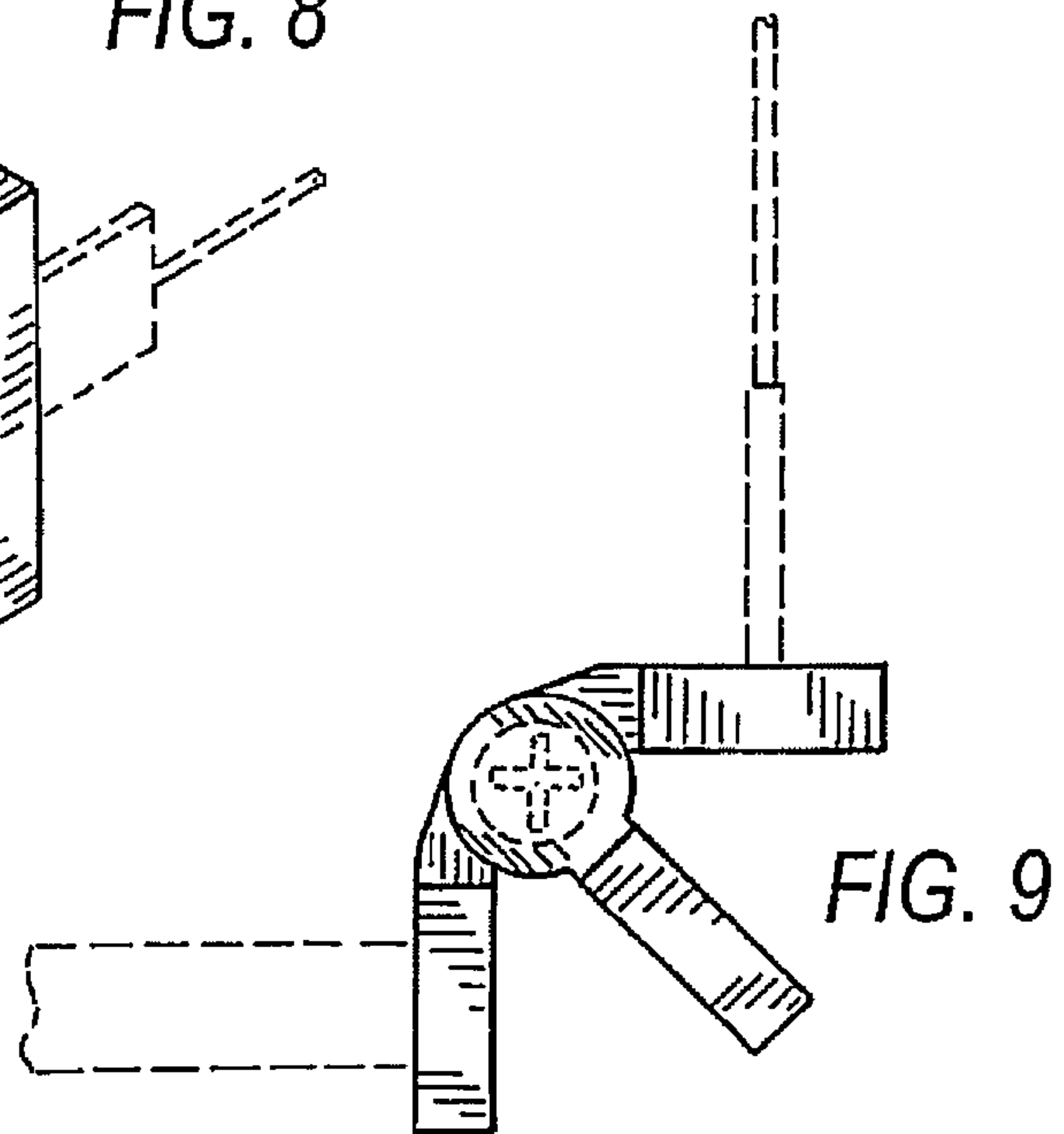


FIG. 9

FIG. 10

