



US00D725988S

(12) **United States Design Patent**  
**Smalley**

(10) **Patent No.:** **US D725,988 S**

(45) **Date of Patent:** **\*\* Apr. 7, 2015**

(54) **HINGED SIGN BRACKET**

(71) Applicant: **Daniel J. Smalley**, Cumberland, RI (US)

(72) Inventor: **Daniel J. Smalley**, Cumberland, RI (US)

(\*\*) Term: **14 Years**

(21) Appl. No.: **29/442,946**

(22) Filed: **Jun. 17, 2013**

(51) **LOC (10) Cl.** ..... **08-06**

(52) **U.S. Cl.**  
USPC ..... **D8/323**

(58) **Field of Classification Search**  
USPC ..... D8/356, 354, 349, 323, 327; 220/575;  
206/521.15; 24/302, 16 R, 306, 17 R;  
439/501; 381/374; D14/217, 205;  
16/225, 250, 682, 309, 235, 275, 244,  
16/379, 390, 430, 241, 238, 245, 236, 243,  
16/242, 385, 331, 274; D23/303; 4/236,  
4/240

See application file for complete search history.

(56) **References Cited**

**U.S. PATENT DOCUMENTS**

2,566,872	A *	9/1951	Bernhardt	16/250
3,550,186	A *	12/1970	Swartz	16/278
3,623,185	A *	11/1971	Cartwright et al.	16/335
D227,550	S *	7/1973	O'Donnell	D8/354
D236,232	S *	8/1975	Kleinerman	D16/136
3,972,090	A *	8/1976	Holmes	16/321
D248,200	S *	6/1978	Stratton	D6/300
4,314,382	A *	2/1982	Ginsburg et al.	4/236
D272,597	S *	2/1984	Cascone et al.	D8/329
4,845,810	A *	7/1989	Brown et al.	16/284
D344,966	S *	3/1994	Friedman	D16/136
D374,391	S *	10/1996	Mele	D8/323
5,642,557	A *	7/1997	Clews	24/339
D438,453	S *	3/2001	Nelson et al.	D8/395

D451,364	S *	12/2001	Borotto et al.	D8/323
D512,299	S *	12/2005	Libert et al.	D8/323
D520,337	S *	5/2006	Alvarado	D8/323
D548,044	S *	8/2007	Tang	D8/343
D579,754	S *	11/2008	Gleason	D8/323
D611,544	S *	3/2010	Liptan	D19/88
D688,069	S *	8/2013	Henderson et al.	D6/606
D718,607	S *	12/2014	Thrush et al.	D8/323
D719,800	S *	12/2014	Johnson	D8/14

\* cited by examiner

*Primary Examiner* — Cynthia Underwood

(74) *Attorney, Agent, or Firm* — Robert J Doherty

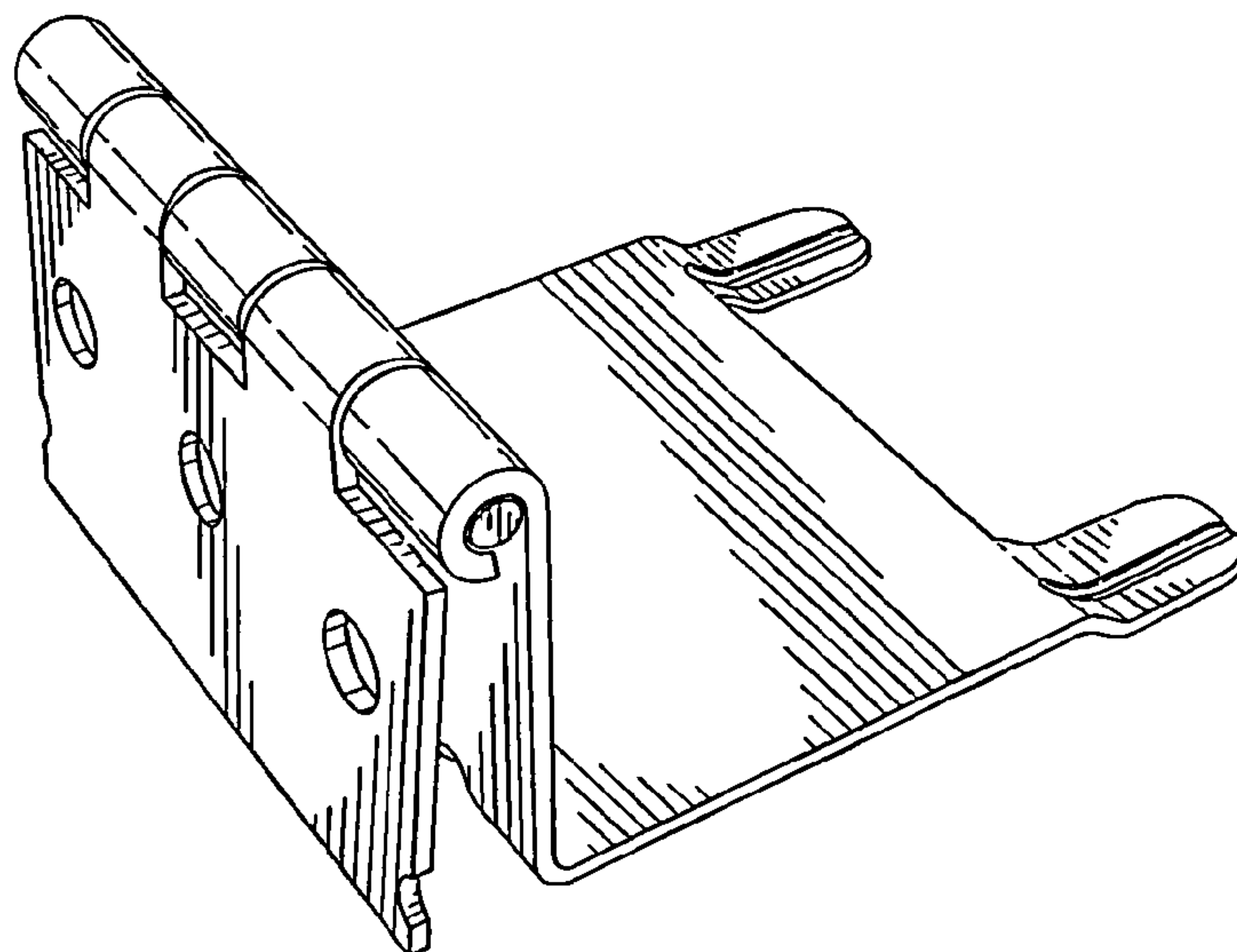
(57) **CLAIM**

I claim the ornamental design for the hinged sign bracket, as shown and described.

**DESCRIPTION**

FIG. 1 is a front perspective view of a of hinged sign bracket shown reduced in scale and positioned to connect a sign to a shelf demonstrating one use mode of my invention;  
 FIG. 2 is a front perspective view of a of hinged sign bracket shown reduced in scale and positioned to connect a sign to a shelf demonstrating another use mode of my invention;  
 FIG. 3 is a front perspective view of the hinged sign bracket shown in FIGS. 1 and 2, enlarged and showing my new design thereof;  
 FIG. 4 is a top plan view of FIG. 3;  
 FIG. 5 is a bottom plan view of FIG. 3;  
 FIG. 6 is a rear elevation view of FIG. 3;  
 FIG. 7 is a front elevation view of FIG. 3;  
 FIG. 8 is a right side elevation view of FIG. 3; and,  
 FIG. 9 is a left side elevation view of FIG. 3.  
 The broken line representations of sign and shelf in FIGS. 1 and 2 are for the purpose of illustration and form no part of the claimed design.

**1 Claim, 6 Drawing Sheets**



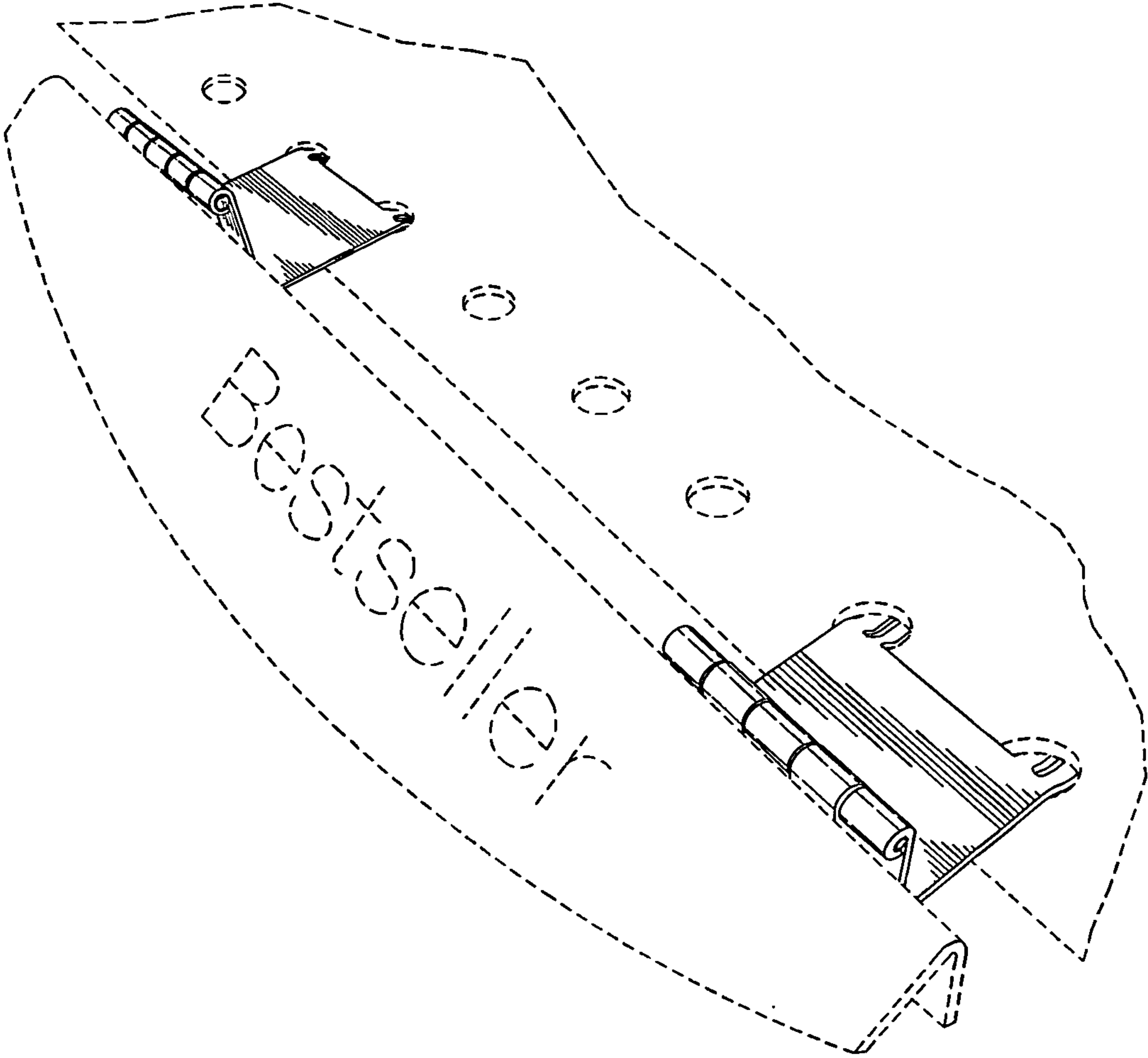


FIG. 1

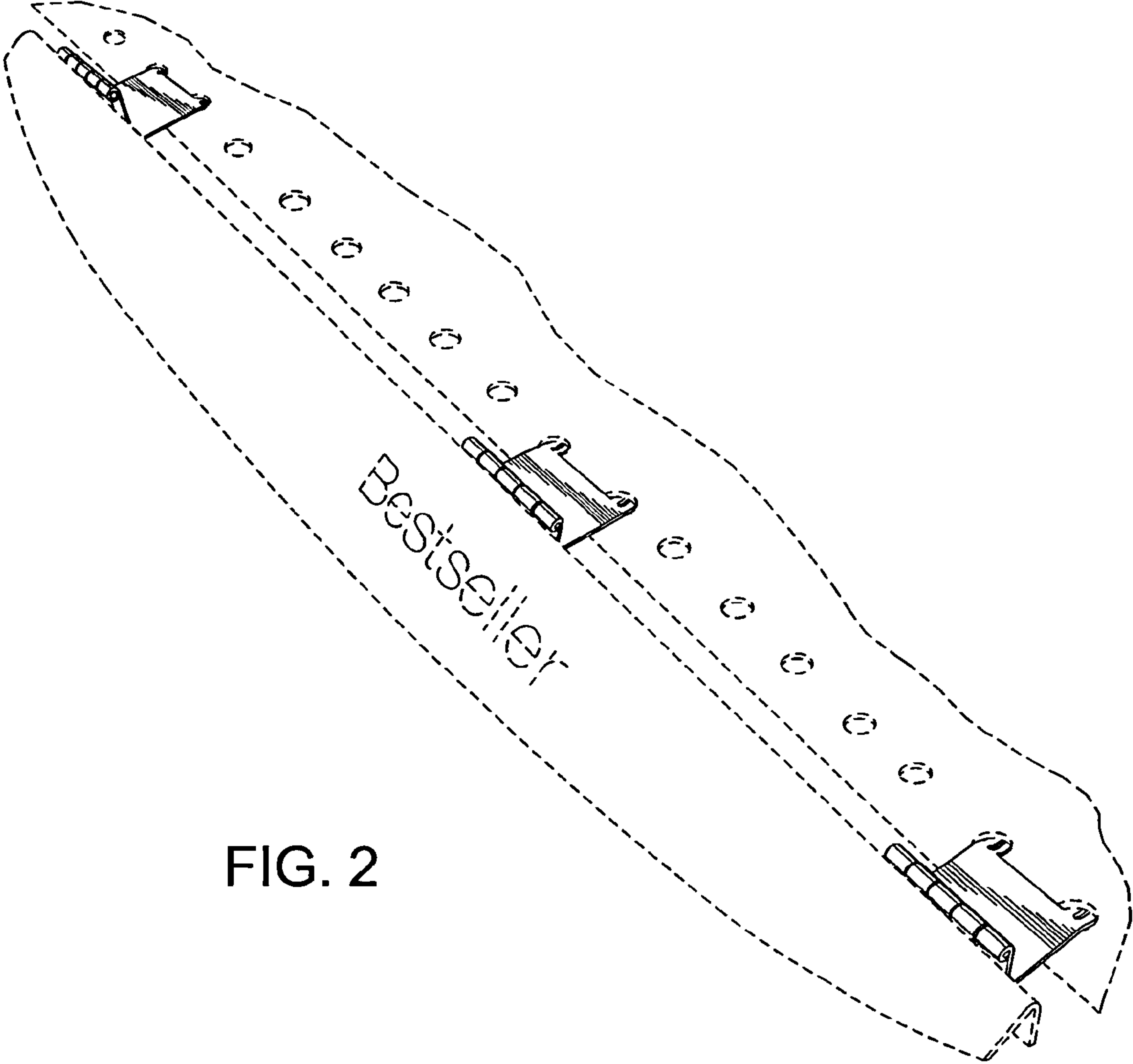


FIG. 2

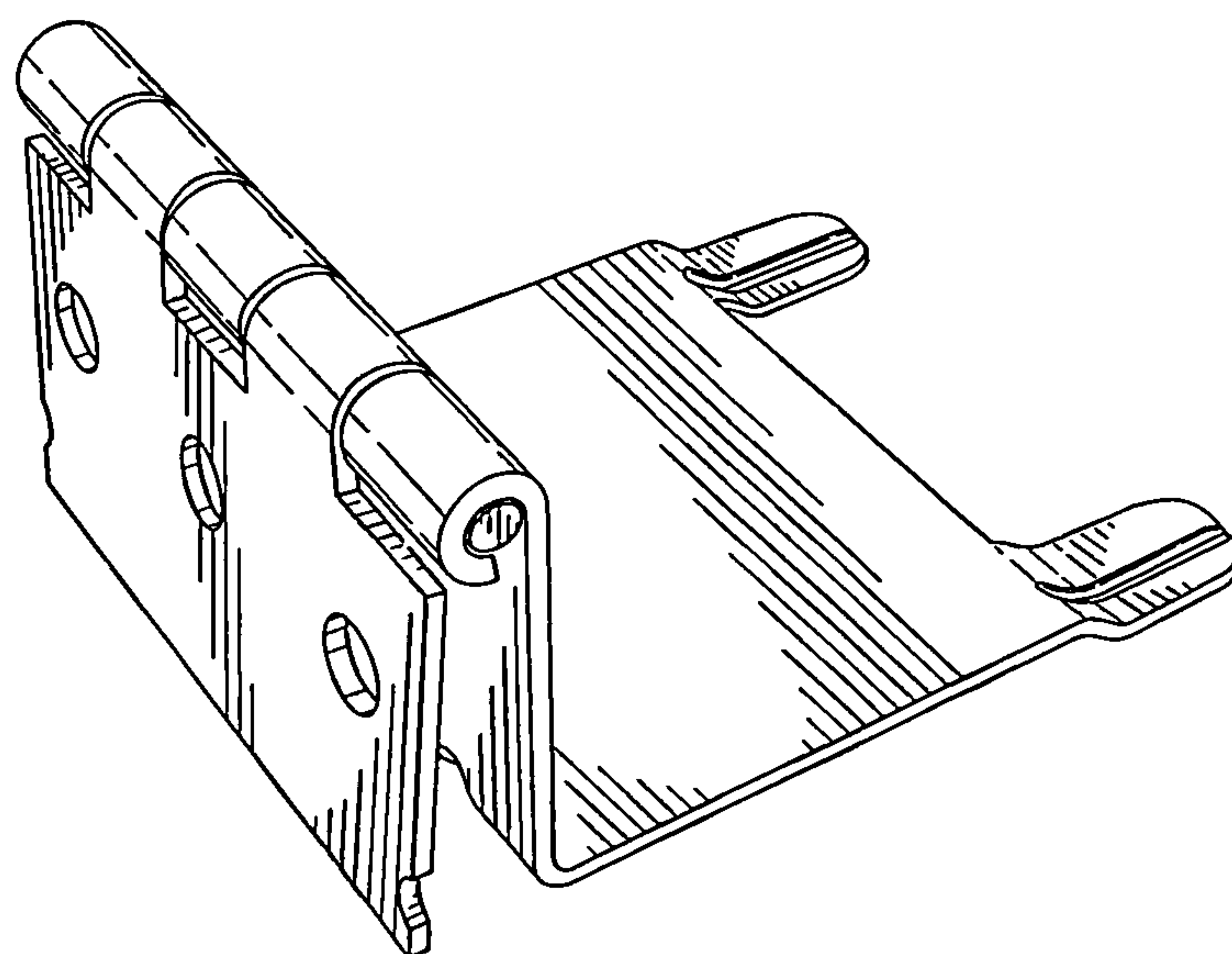


FIG. 3

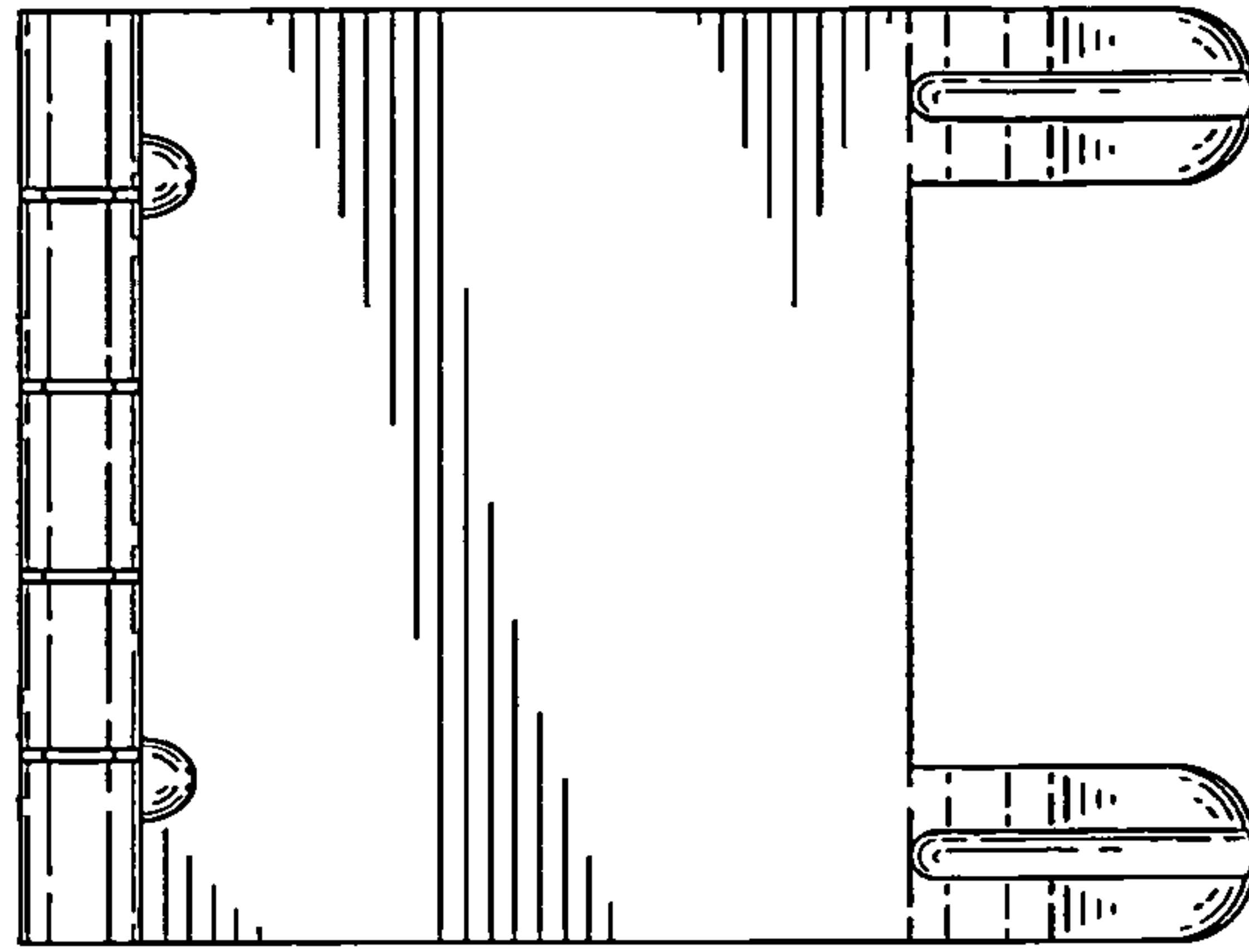


FIG. 4

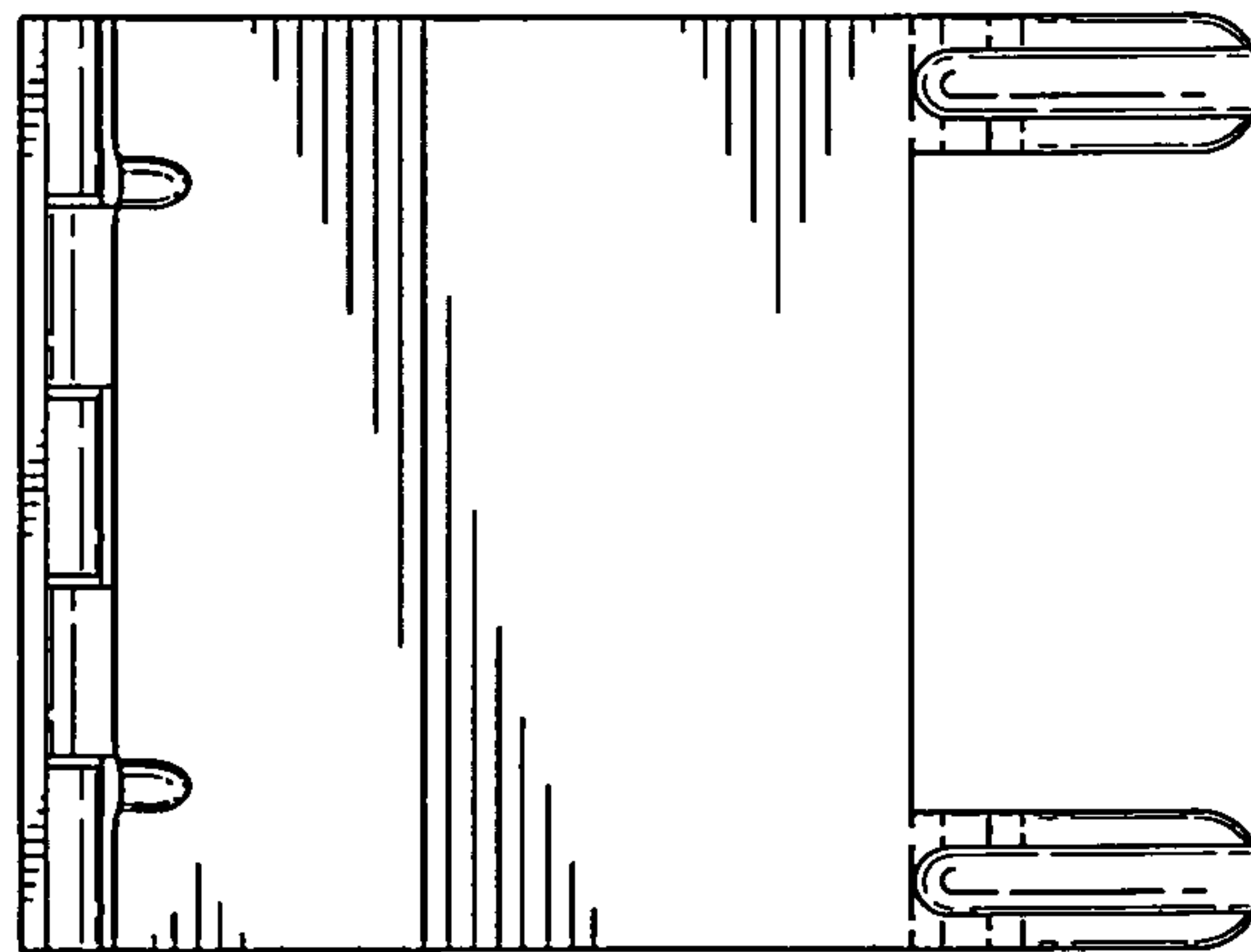


FIG. 5

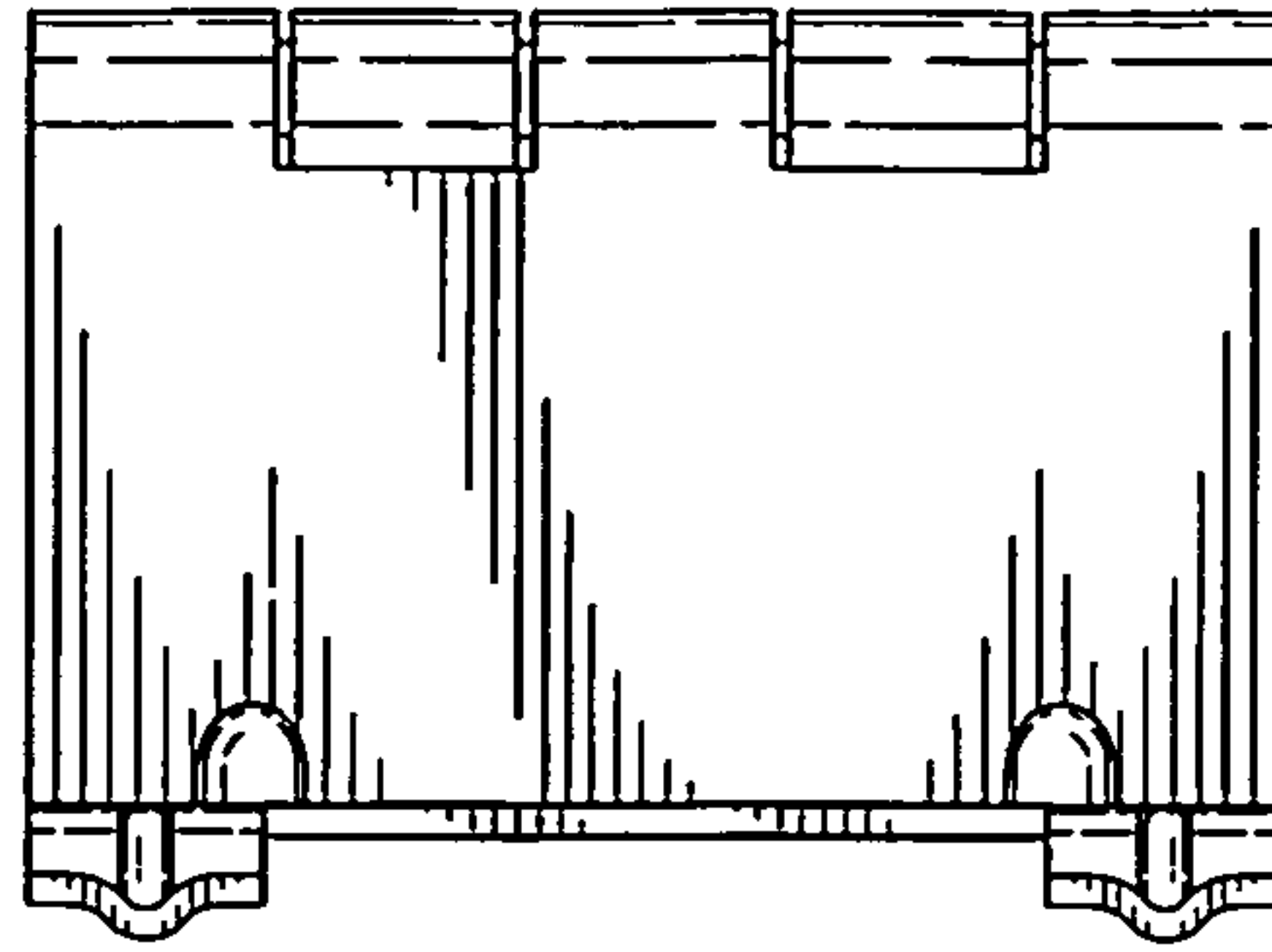


FIG. 6

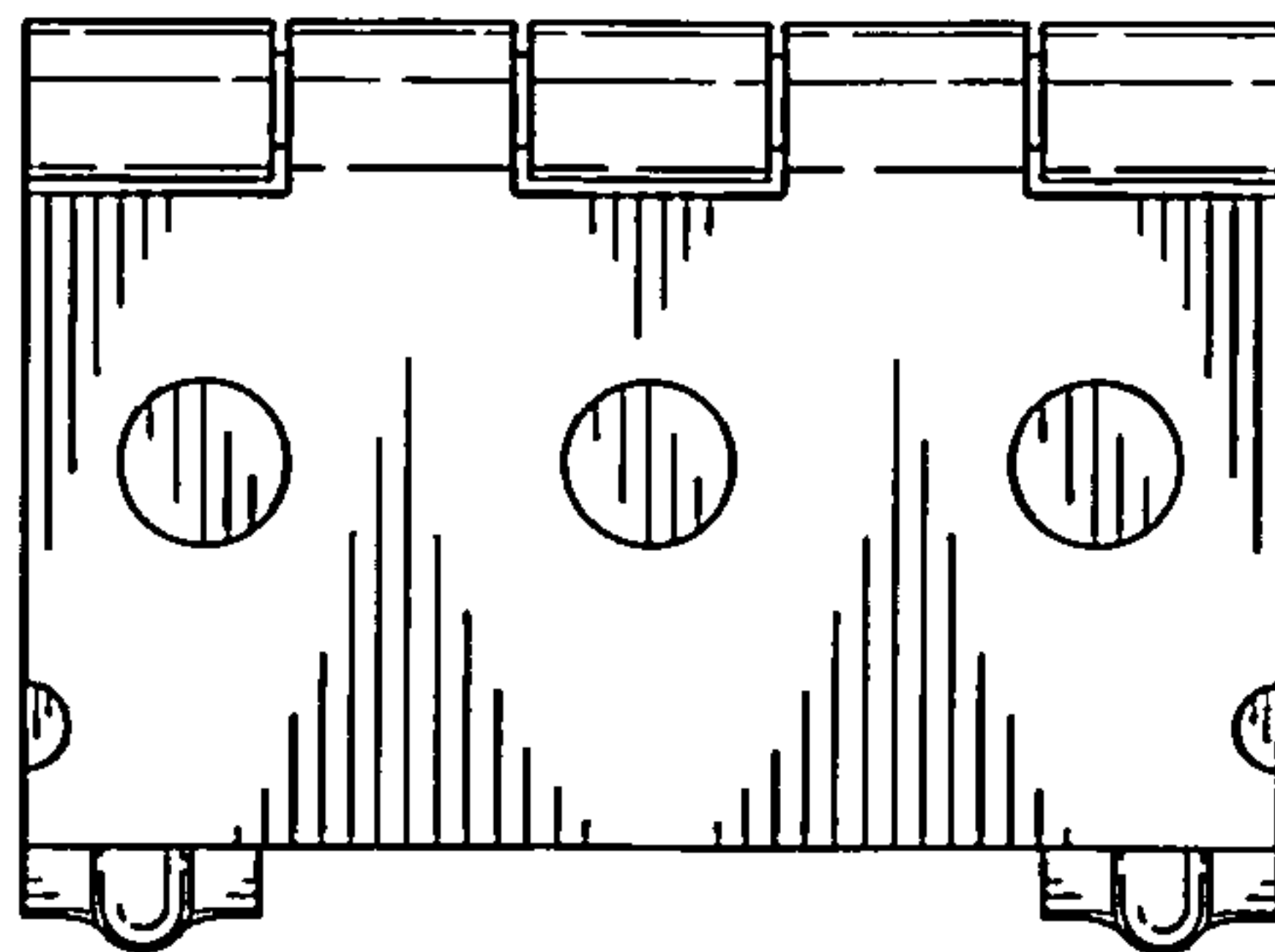


FIG. 7



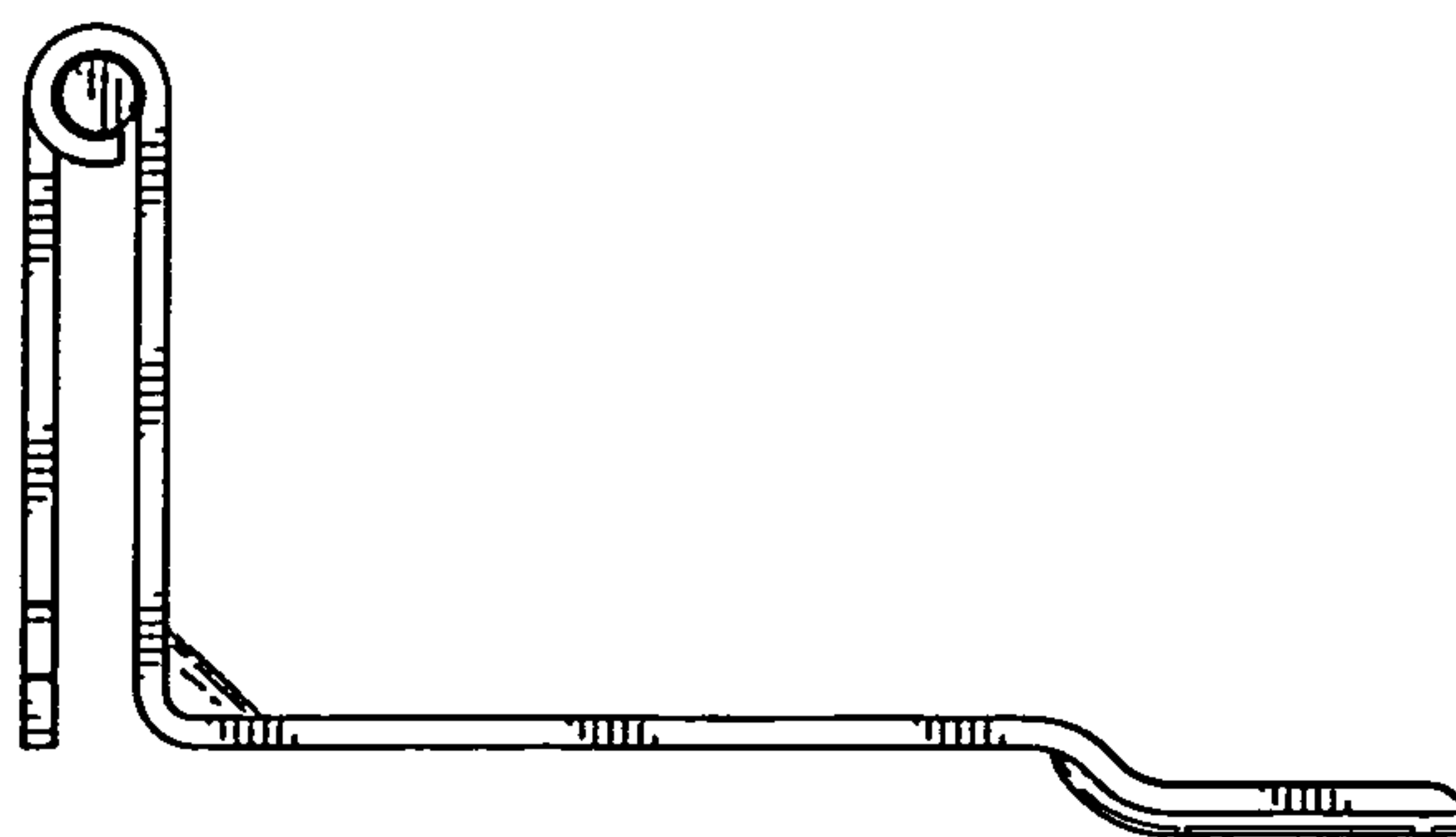


FIG. 8

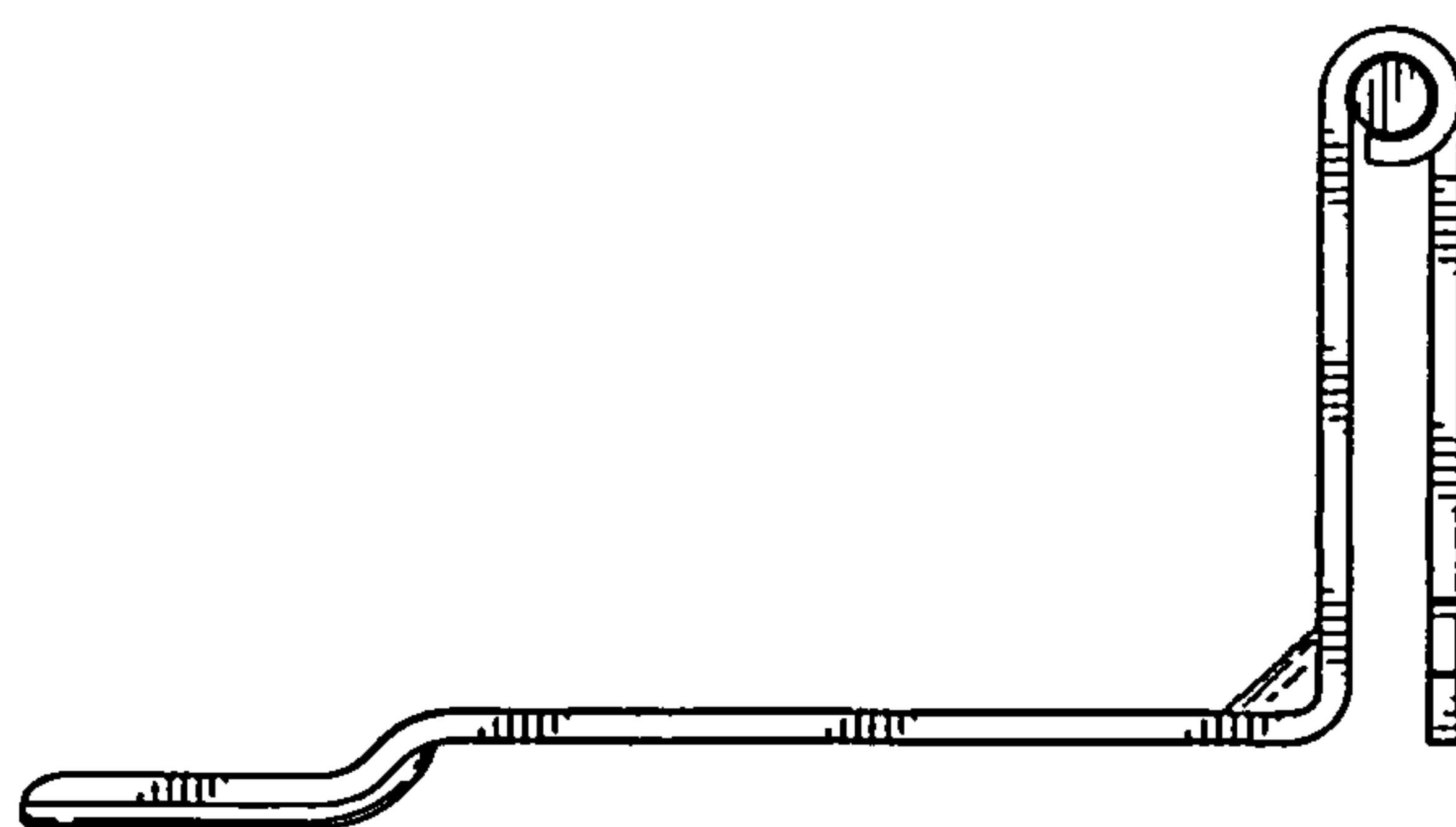


FIG. 9