



US00D725987S

(12) **United States Design Patent**
May

(10) **Patent No.:** **US D725,987 S**

(45) **Date of Patent:** **** Apr. 7, 2015**

(54) **MOTORCYCLE HANDLEBAR GRIP**

(71) Applicant: **Kuryakyn Holdings, LLC**, Somerset,
WI (US)

(72) Inventor: **Darron B May**, Stillwater, MN (US)

(73) Assignee: **Kuryakyn Holdings, LLC**, Somerset,
WI (US)

(**) Term: **14 Years**

(21) Appl. No.: **29/480,011**

(22) Filed: **Jan. 22, 2014**

(51) **LOC (10) Cl.** **08-06**

(52) **U.S. Cl.**
USPC **D8/303**

(58) **Field of Classification Search**
CPC B62K 21/26
USPC D8/303, 300, 315, 312, 321, 306;
74/551.1, 551.8, 551.9; 411/500;
16/421, 430; D21/432, 682; D12/107,
D12/111, 114, 117, 118
See application file for complete search history.

(56) **References Cited**

U.S. PATENT DOCUMENTS

D269,408 S *	6/1983	Merritt	D8/303
D299,333 S *	1/1989	Coue	D12/179
4,895,044 A *	1/1990	Ekins	74/551.9
D338,825 S *	8/1993	Brainard	D8/303
D411,432 S *	6/1999	Stahel	D8/303

D461,390 S *	8/2002	Livingston	D8/303
D482,591 S *	11/2003	Lisle et al.	D8/107
D621,680 S *	8/2010	Hsu	D8/303
D696,923 S *	1/2014	Ichikawa	D8/303
2007/0067960 A1 *	3/2007	Lee et al.	16/421
2009/0255093 A1 *	10/2009	Hsu	16/421

* cited by examiner

Primary Examiner — George D Kirschbaum

Assistant Examiner — Kendra L Hamilton

(74) *Attorney, Agent, or Firm* — Dicke, Billig & Czaja,
PLLC

(57) **CLAIM**

The ornamental design for a motorcycle handlebar grip, as shown and described.

DESCRIPTION

FIG. 1 is a perspective view of the motorcycle handlebar grip of the present invention.

FIG. 2 is a first side view thereof, a second, opposite side view being a mirror image thereof.

FIG. 3 is a top view thereof.

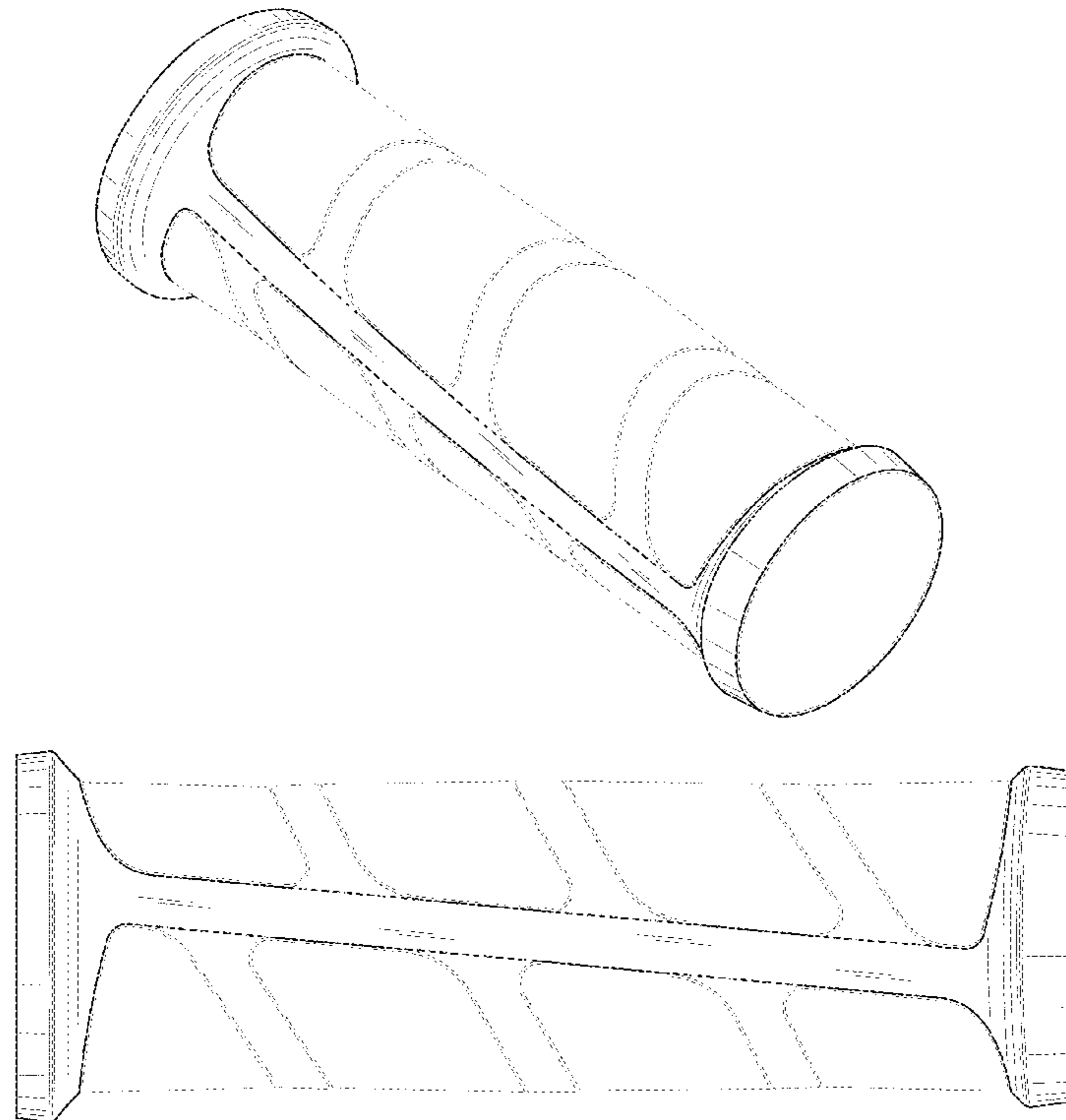
FIG. 4 is a bottom view thereof.

FIG. 5 is a first end view thereof; and,

FIG. 6 is a second end view thereof, opposite the first end view.

The motorcycle handlebar grip portions between the grip pads, the grip pads, and the end portions of the motorcycle handlebar grip shown in broken lines form no part of the claimed design.

1 Claim, 5 Drawing Sheets



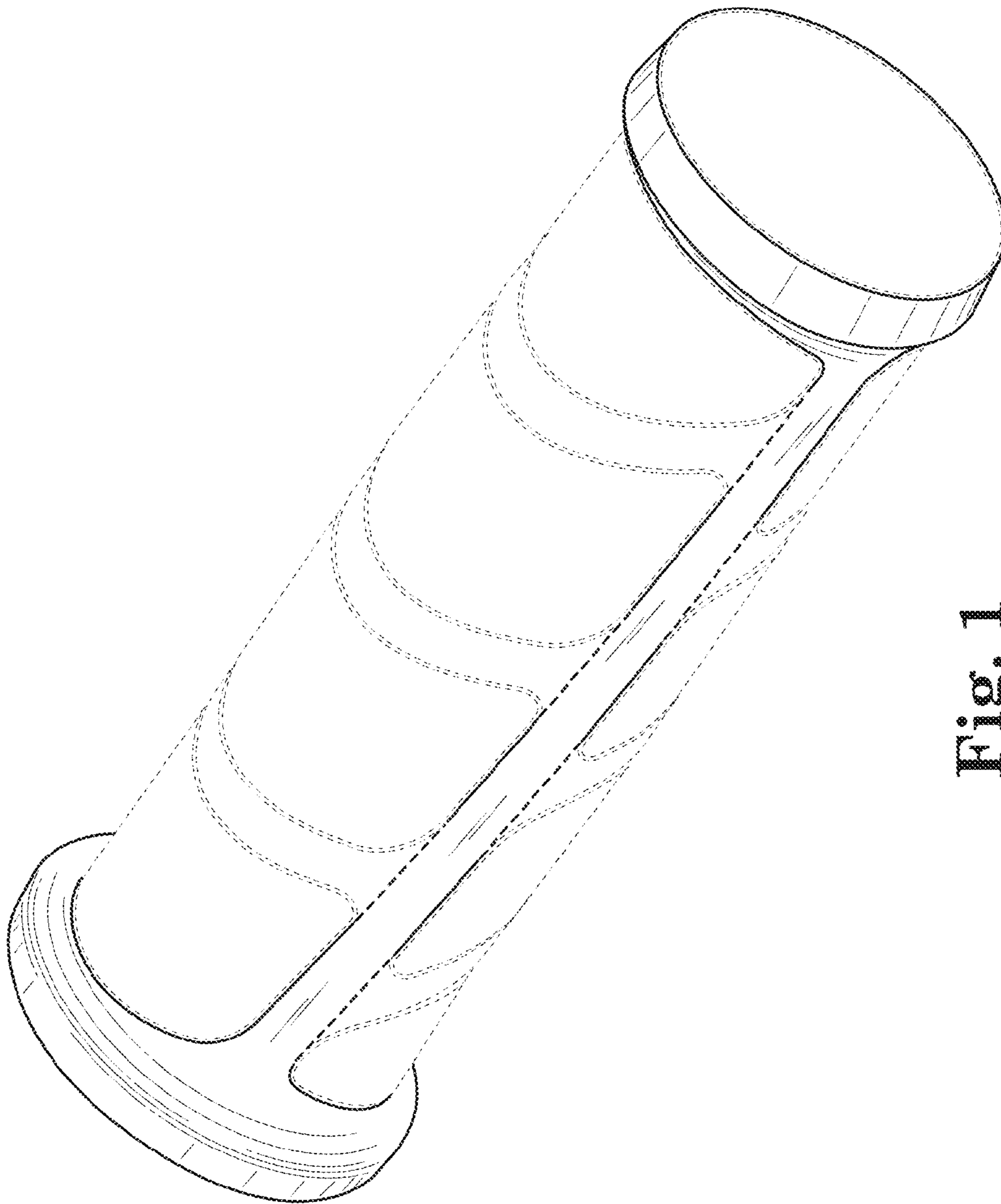


Fig. 1

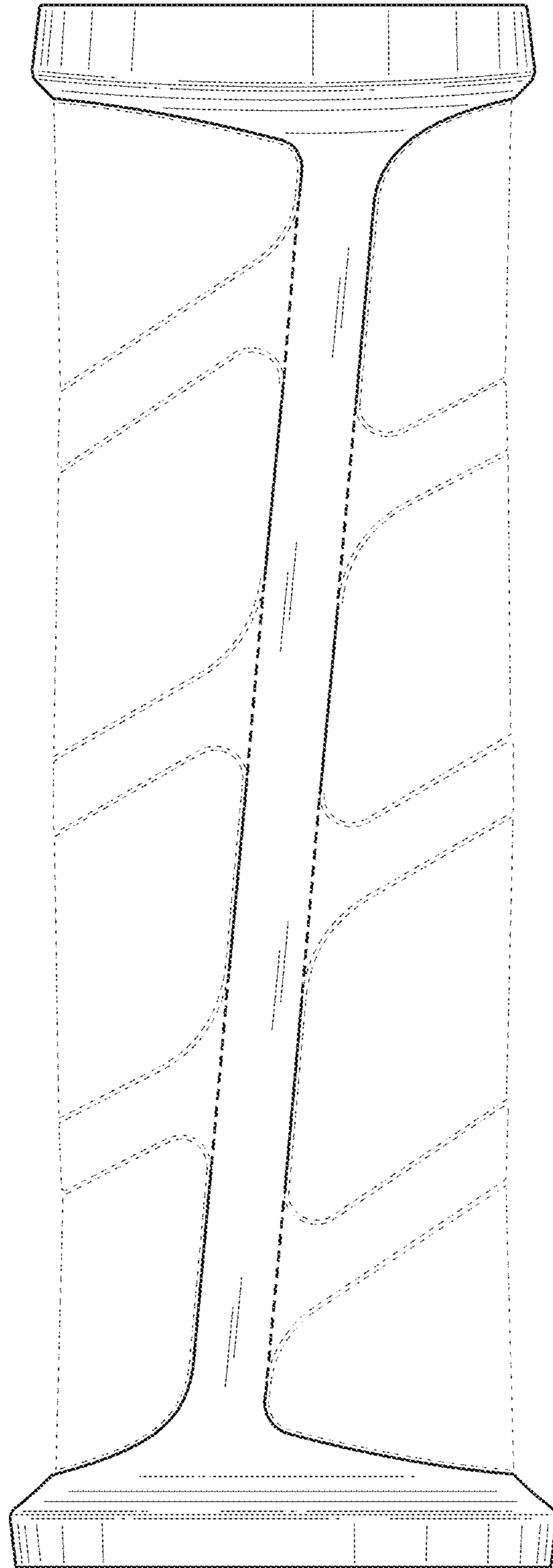


Fig. 2

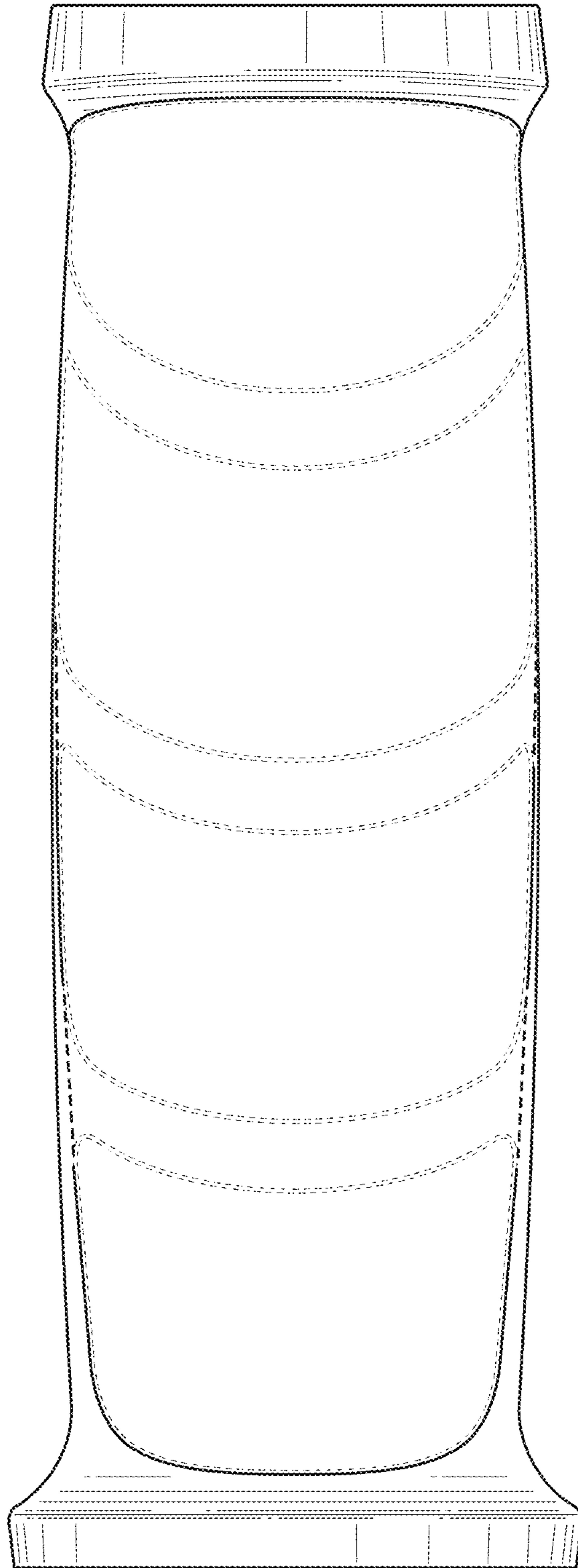


Fig. 3

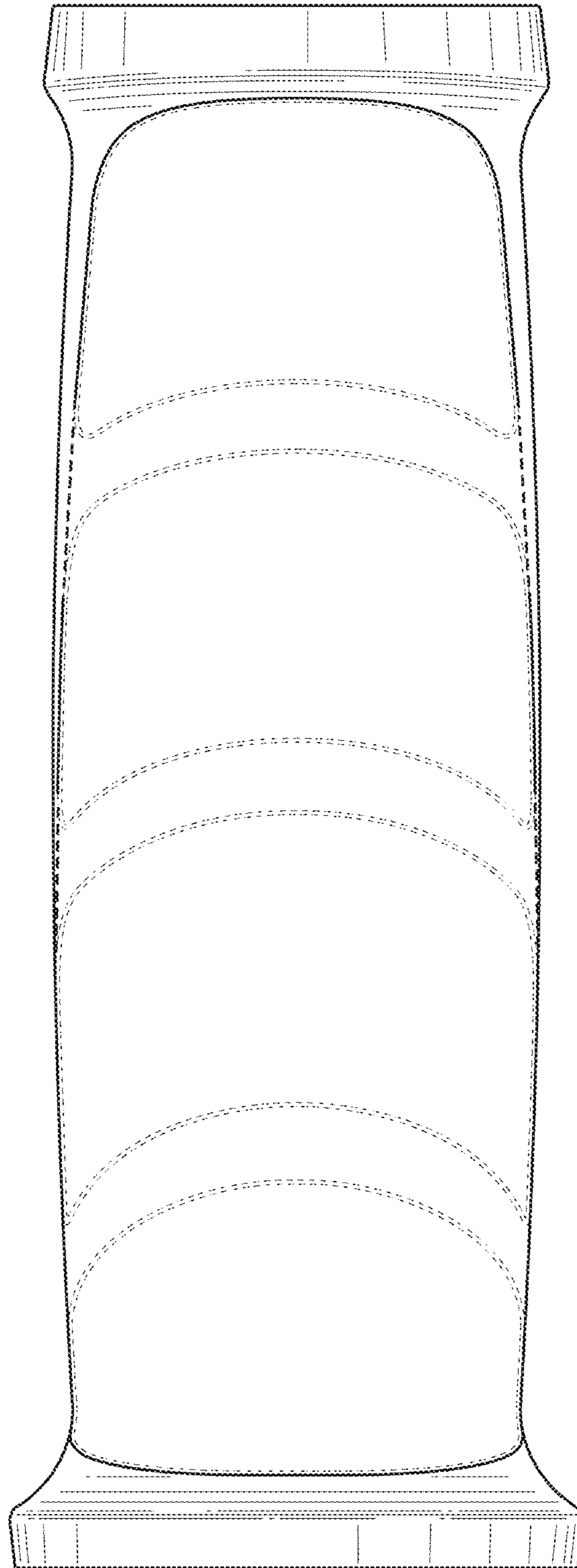


Fig. 4

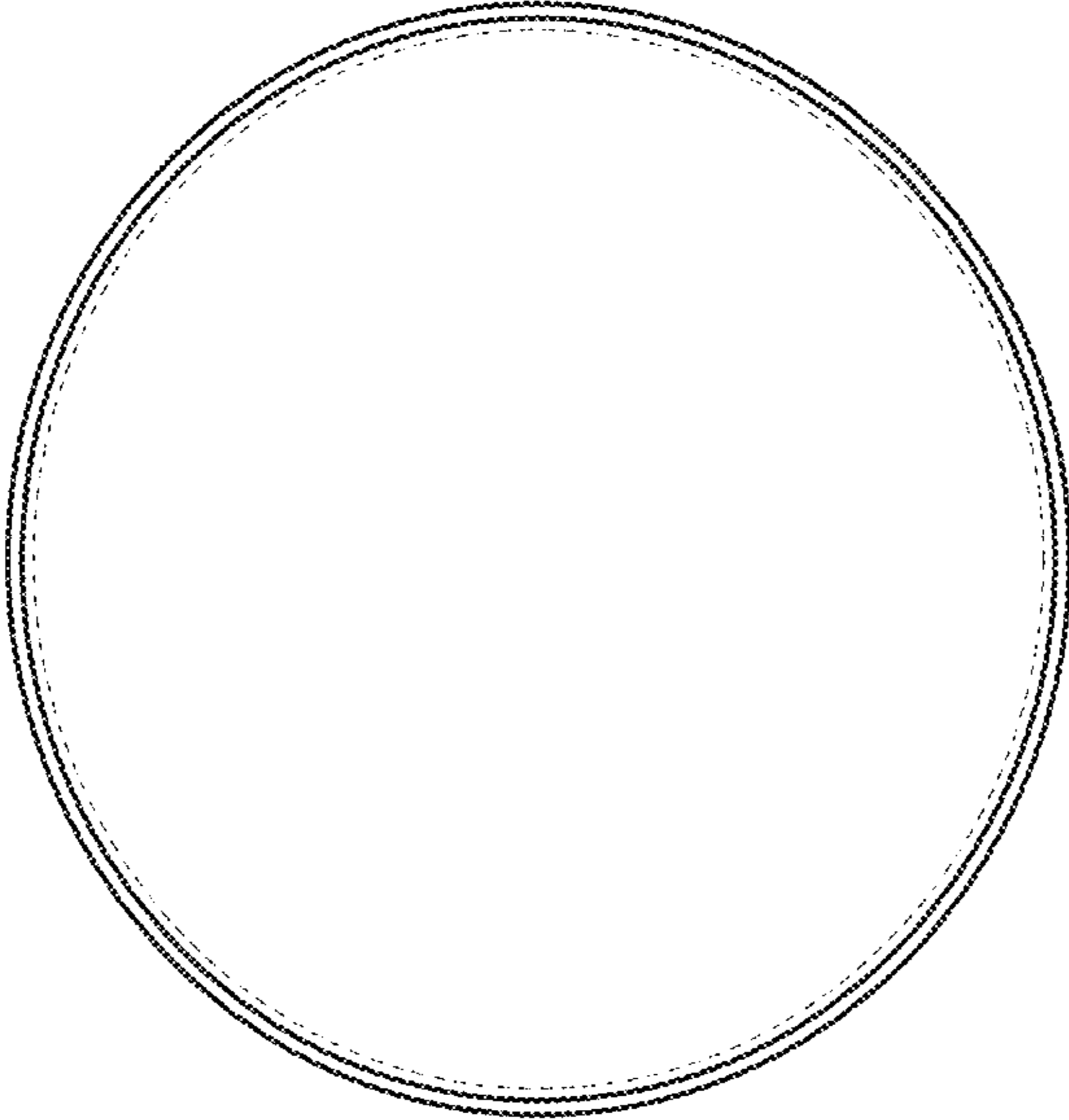


Fig. 6

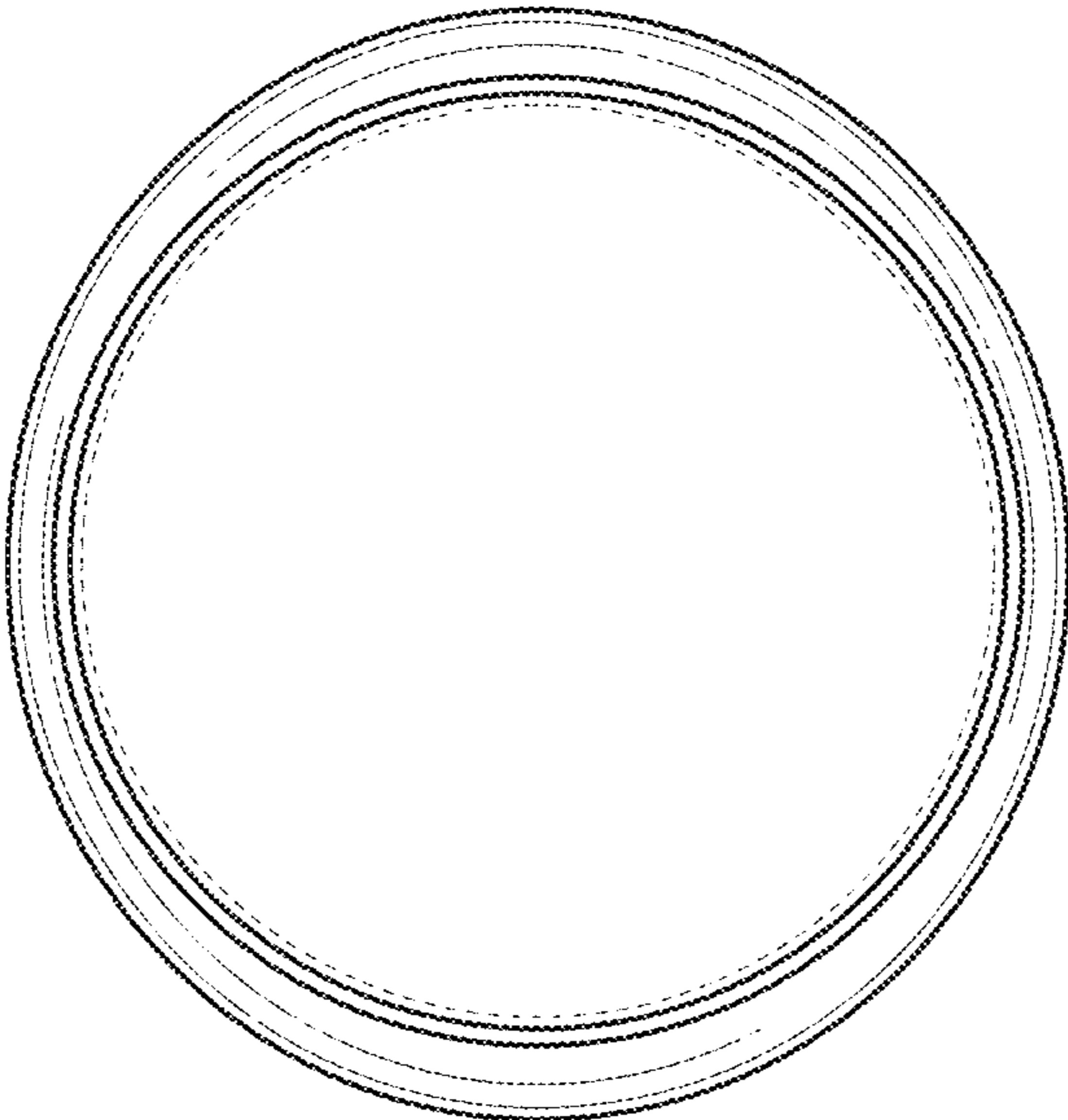


Fig. 5