



US00D725983S

(12) **United States Design Patent**  
**Huang**

(10) **Patent No.:** **US D725,983 S**

(45) **Date of Patent:** **\*\* Apr. 7, 2015**

(54) **SCREWDRIVER**

(71) Applicant: **Chia-Hao Huang**, Taichung (TW)

(72) Inventor: **Chia-Hao Huang**, Taichung (TW)

(\*\*) Term: **14 Years**

(21) Appl. No.: **29/464,996**

(22) Filed: **Aug. 22, 2013**

(51) **LOC (10) Cl.** ..... **08-04**

(52) **U.S. Cl.**  
USPC ..... **D8/82**

(58) **Field of Classification Search**

CPC .. B25B 15/02; B25B 23/0021; B25B 23/065;  
B25B 23/1415; B25B 23/142; B25B 23/16;  
B25B 27/00; B25G 1/002; B25G 1/0005;  
B25G 1/043

USPC ..... D8/14, 21, 24-26, 29, 82-8, 105, 107;  
81/177.1, 177.2, 177.4, 436, 438-439,  
81/467, 473, 481, 489, 490

See application file for complete search history.

(56) **References Cited**

**U.S. PATENT DOCUMENTS**

|           |     |         |             |          |
|-----------|-----|---------|-------------|----------|
| 2,938,555 | A * | 5/1960  | Paajanen    | 81/177.2 |
| D205,090  | S * | 6/1966  | Sexauer     | D8/85    |
| 3,361,170 | A * | 1/1968  | Hilton      | 81/177.2 |
| 3,416,395 | A * | 12/1968 | Hanson      | 81/125   |
| 3,561,510 | A * | 2/1971  | Johnson     | 81/436   |
| D221,508  | S * | 8/1971  | Chapdelaine | D8/26    |
| 3,913,423 | A * | 10/1975 | Gerst       | 29/267   |
| D238,546  | S * | 1/1976  | Cullinane   | D8/29    |

|           |      |         |          |          |
|-----------|------|---------|----------|----------|
| 4,703,677 | A *  | 11/1987 | Rossini  | 81/471   |
| D314,126  | S *  | 1/1991  | Moore    | D8/67    |
| D473,648  | S *  | 4/2003  | Muraca   | D24/146  |
| D482,586  | S *  | 11/2003 | Puerta   | D8/82    |
| 7,069,823 | B1 * | 7/2006  | Howell   | 81/177.1 |
| D573,424  | S *  | 7/2008  | Mitchell | D8/14    |
| D582,242  | S *  | 12/2008 | Bryan    | D8/107   |
| D606,834  | S *  | 12/2009 | Robinson | D8/86    |
| D606,835  | S *  | 12/2009 | Robinson | D8/86    |

\* cited by examiner

*Primary Examiner* — Susan E Krakower

*Assistant Examiner* — Roselynn Cody

(74) *Attorney, Agent, or Firm* — Muncy, Geissler, Olds & Lowe, P.C.

(57) **CLAIM**

The ornamental design for a screwdriver, as shown and described.

**DESCRIPTION**

FIG. 1 is a perspective view of a screwdriver showing our new design;

FIG. 2 is a front elevational view thereof;

FIG. 3 is a rear elevational view thereof;

FIG. 4 is a left side elevational view thereof;

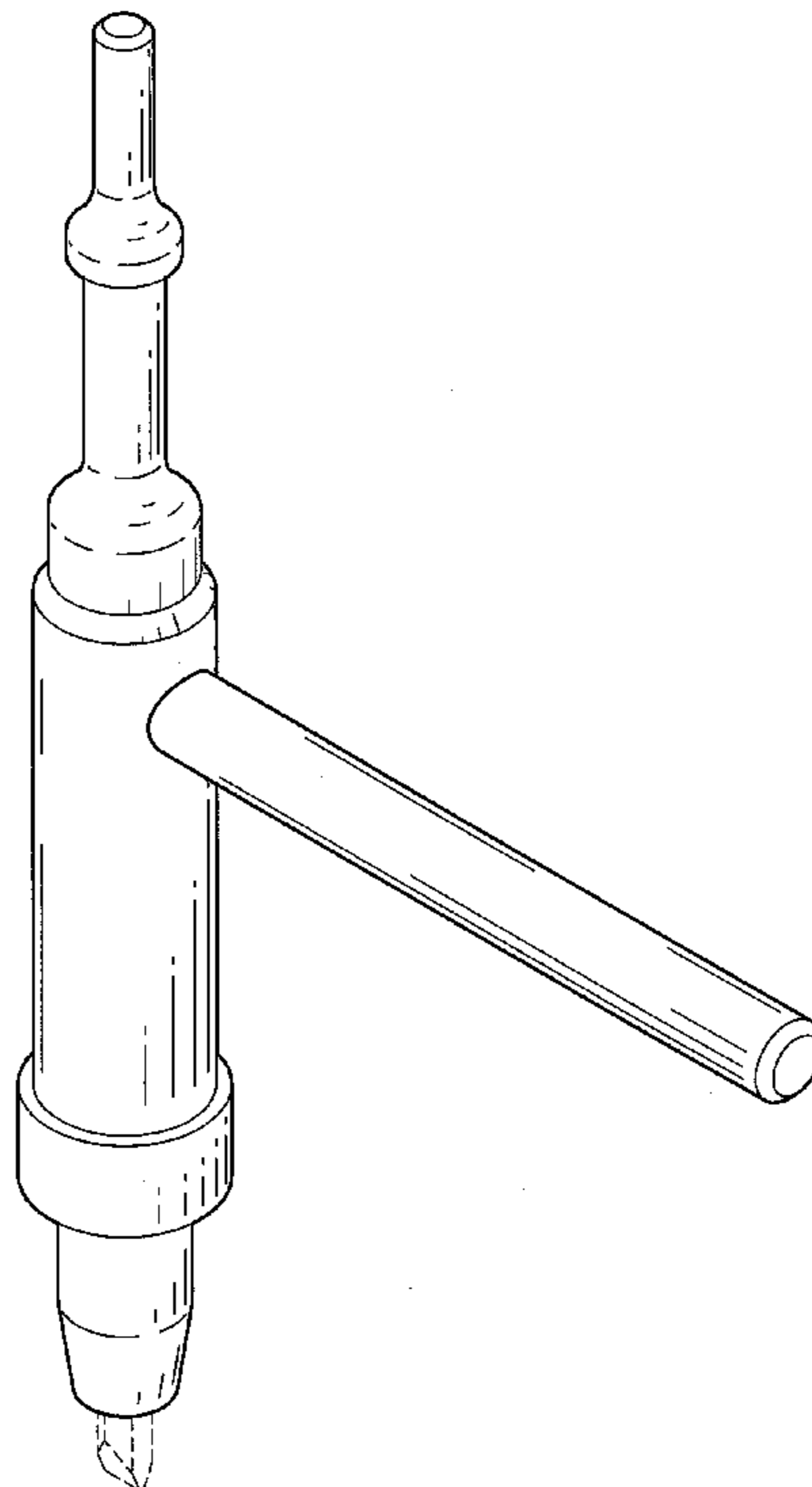
FIG. 5 is a right side elevational view thereof;

FIG. 6 is a top plan view thereof; and,

FIG. 7 is a bottom plan view thereof.

The broken lines in the drawings illustrate a portion of the screwdriver that forms no part of the claim.

**1 Claim, 7 Drawing Sheets**



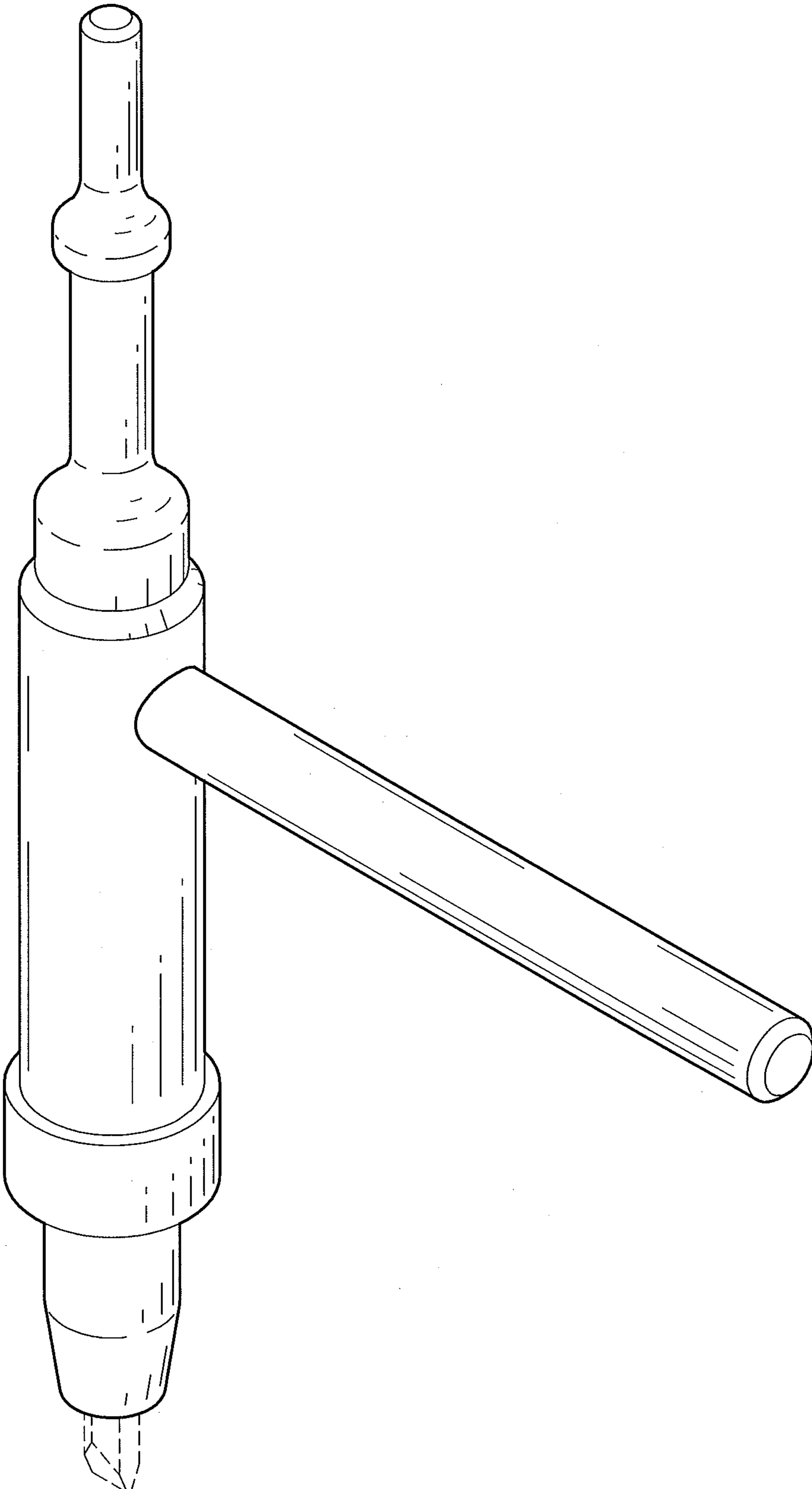


FIG. 1

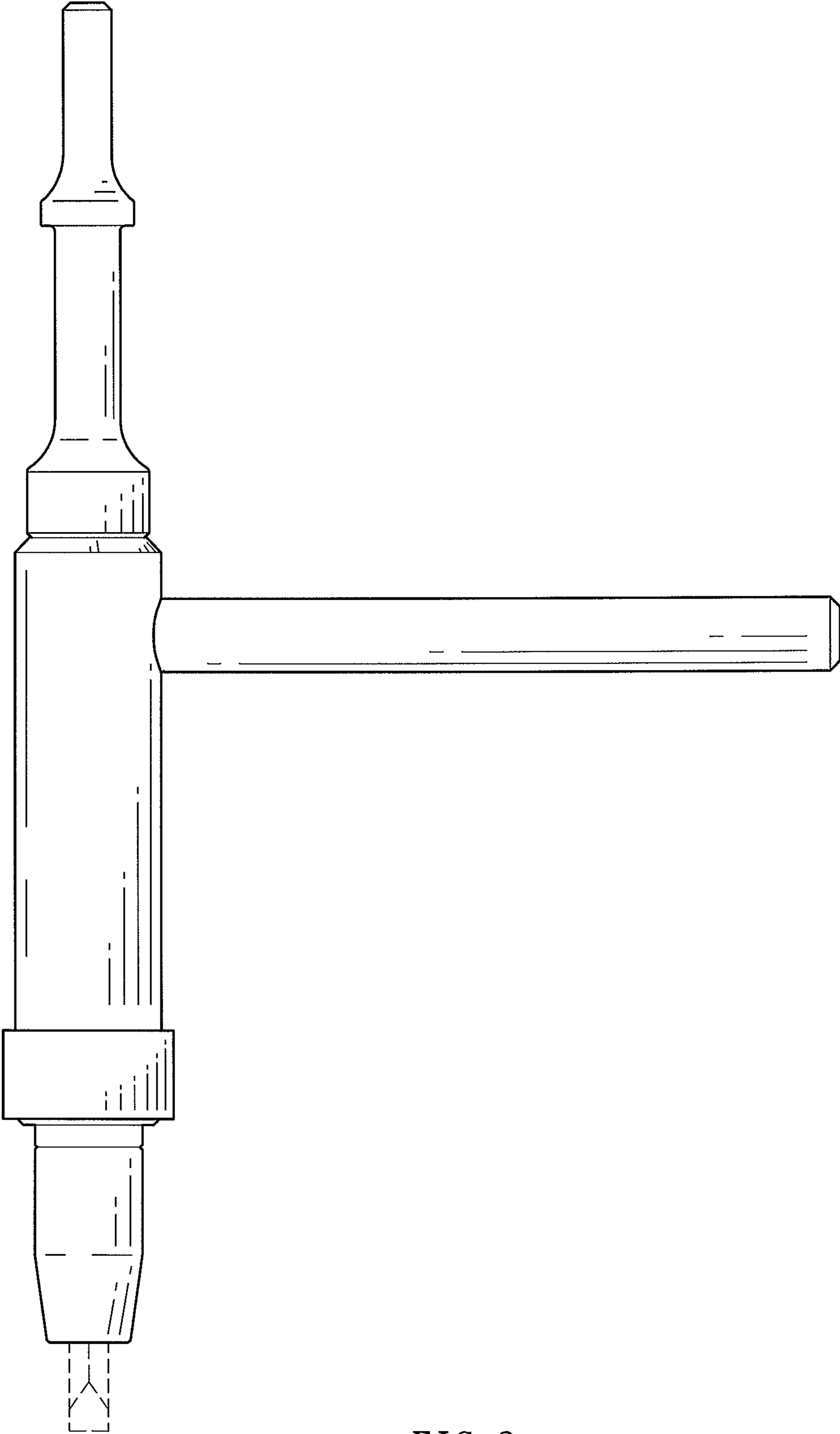


FIG. 2

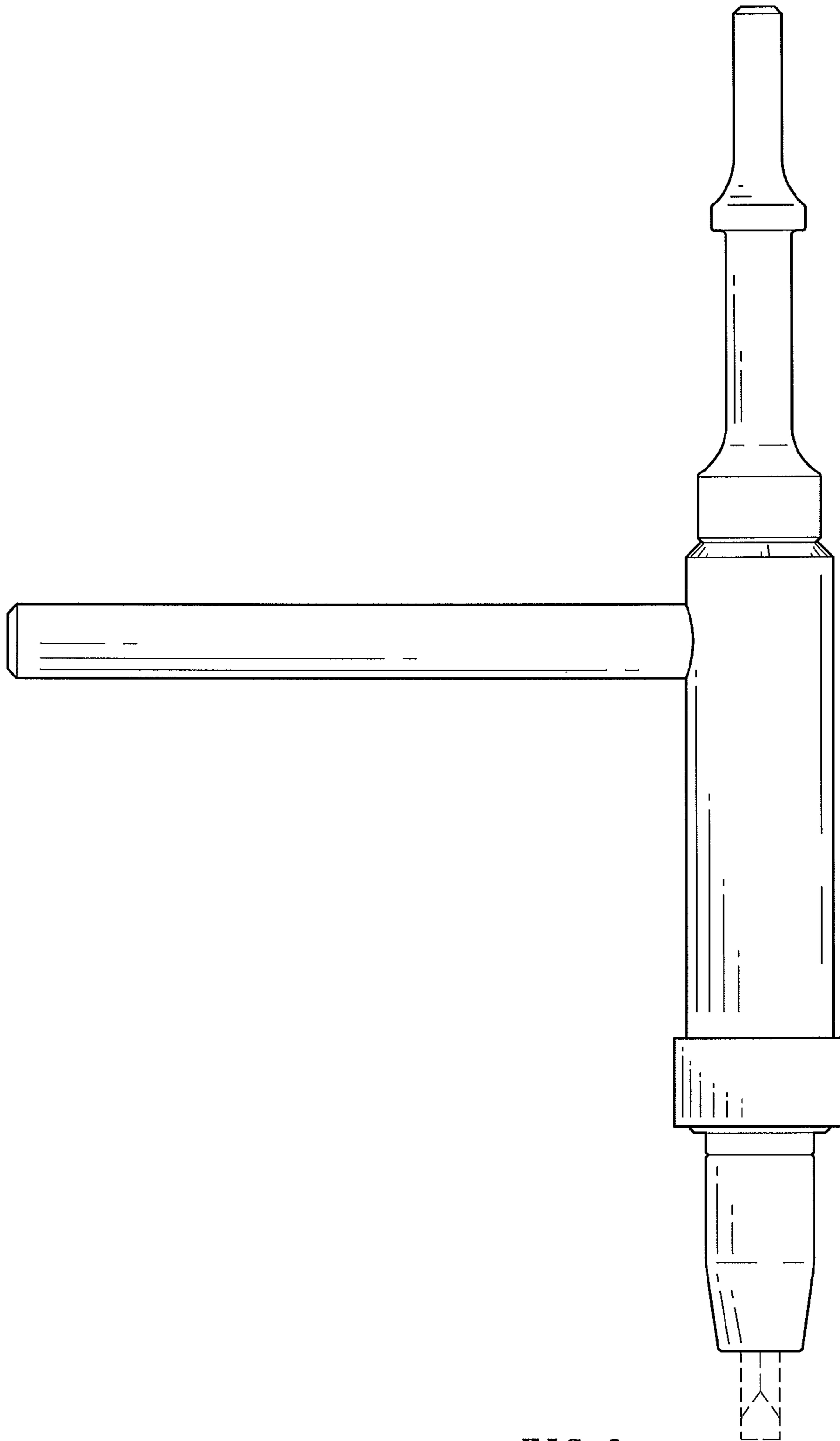


FIG. 3

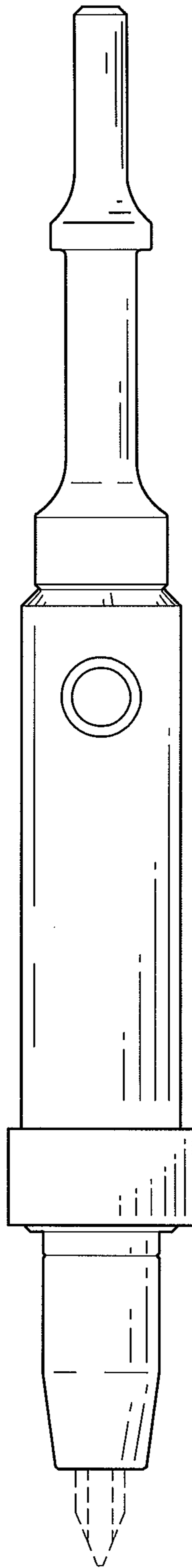


FIG. 4

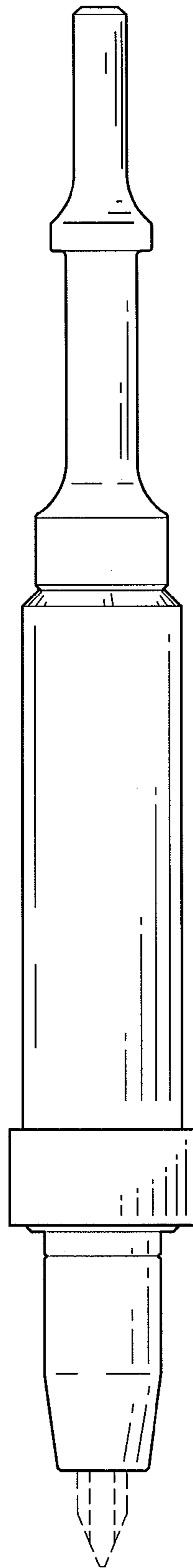


FIG. 5

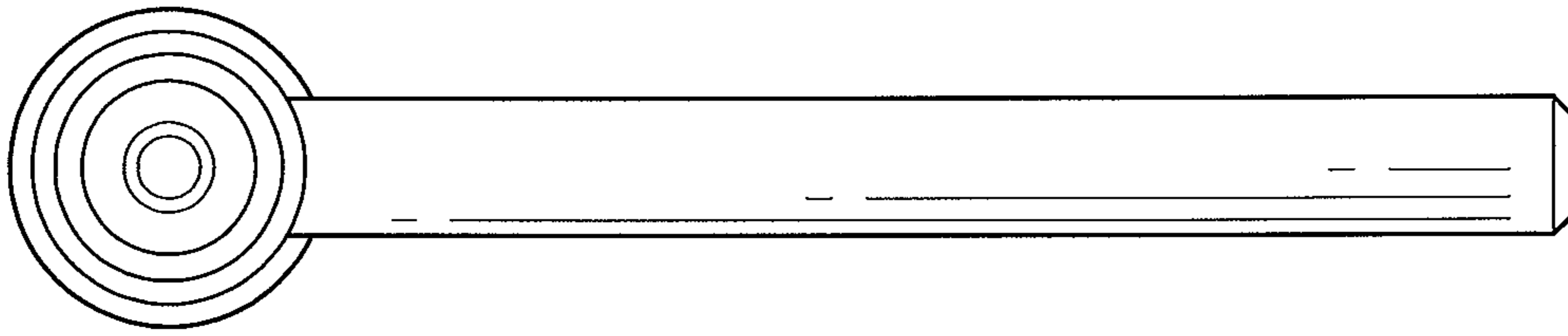


FIG. 6

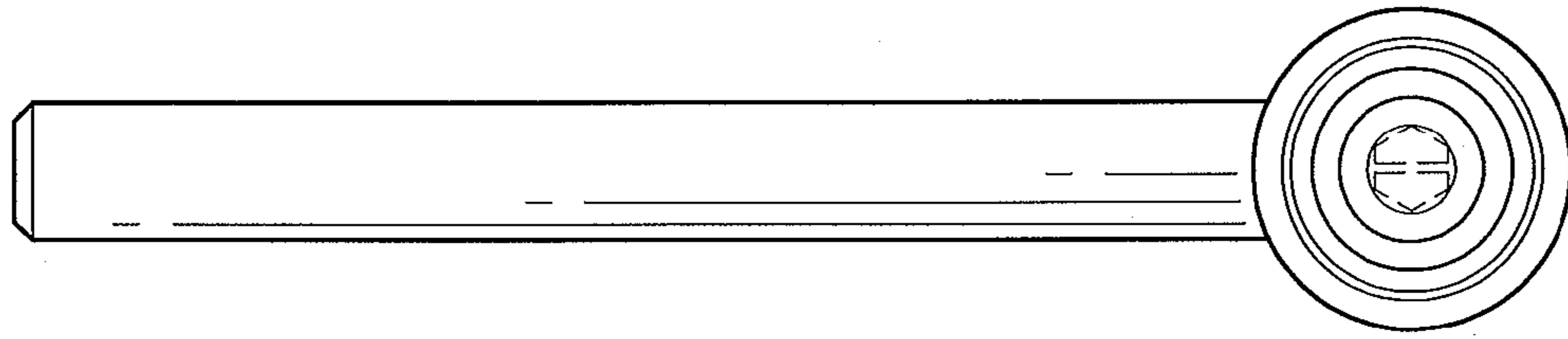


FIG. 7