



US00D725982S

(12) **United States Design Patent**  
**Miller**

(10) **Patent No.:** **US D725,982 S**  
(45) **Date of Patent:** **\*\* Apr. 7, 2015**

(54) **DRILL DRIVER**

(71) Applicant: **Black & Decker Inc.**, Newark, DE (US)

(72) Inventor: **David A. Miller**, Baltimore, MD (US)

(73) Assignee: **Black & Decker Inc.**, Newark, DE (US)

(\*\*) Term: **14 Years**

(21) Appl. No.: **29/480,980**

(22) Filed: **Jan. 31, 2014**

**Related U.S. Application Data**

(63) Continuation-in-part of application No. 13/832,454, filed on Mar. 15, 2013.

(51) **LOC (10) Cl.** ..... **08-03**

(52) **U.S. Cl.**  
USPC ..... **D8/68**

(58) **Field of Classification Search**

CPC ..... B62K 9/00; B62D 7/026  
USPC ..... D12/419-435, 533, 552, 554, 559;  
D21/16, 87-88; 280/87.01, 87.021,  
280/828; 446/424, 425, 427, 433, 454, 456,  
446/457, 462, 465, 470  
See application file for complete search history.

(56) **References Cited**

**U.S. PATENT DOCUMENTS**

6,308,378 B1 \* 10/2001 Mooty et al. .... 16/430  
D546,154 S \* 7/2007 Fong et al. .... D8/68

D551,527 S \* 9/2007 Aglassinger ..... D8/68  
7,492,125 B2 \* 2/2009 Serdynski et al. .... 320/114  
D589,317 S \* 3/2009 Okuda ..... D8/68  
D593,831 S \* 6/2009 Van Wambeke et al. .... D8/68  
D609,072 S \* 2/2010 Van Wambeke ..... D8/68  
D611,319 S \* 3/2010 Van Wambeke et al. .... D8/68  
8,210,273 B2 \* 7/2012 Suzuki et al. .... 173/2  
D675,500 S \* 2/2013 Taniguchi et al. .... D8/68  
D678,744 S \* 3/2013 Aoki et al. .... D8/68  
D682,650 S \* 5/2013 Kawase et al. .... D8/68  
2009/0302554 A1 \* 12/2009 Thiel ..... 279/62

\* cited by examiner

*Primary Examiner* — Philip S. Hyder

*Assistant Examiner* — Darlington Ly

(74) *Attorney, Agent, or Firm* — Stephen R. Valancius

(57) **CLAIM**

The ornamental design for a drill driver, as shown and described.

**DESCRIPTION**

FIG. 1 is a perspective view of an embodiment of a drill driver showing my new design.

FIG. 2 is a front view thereof;

FIG. 3 is a rear view thereof;

FIG. 4 is a right side view thereof;

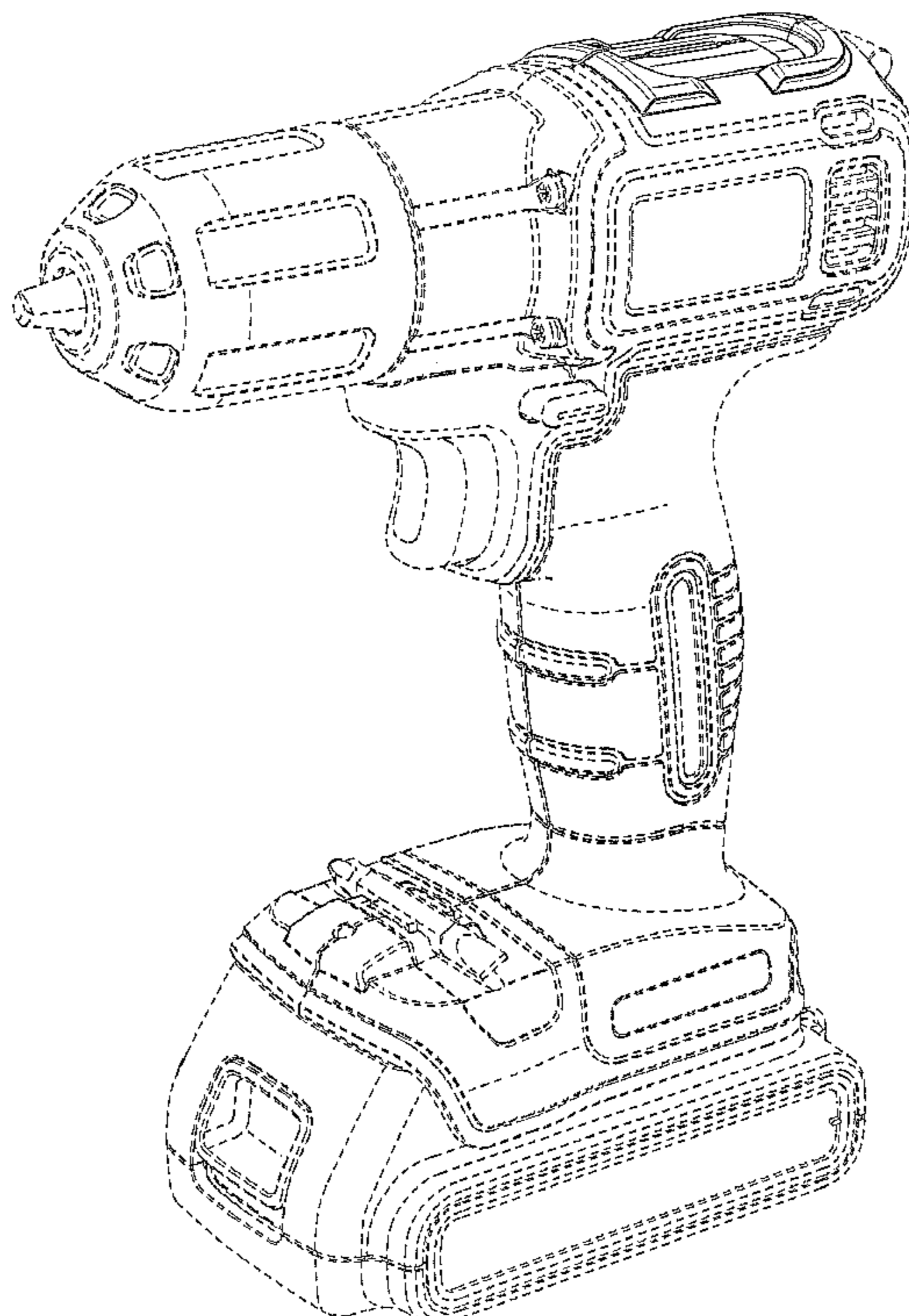
FIG. 5 is a left side view thereof;

FIG. 6 is a top plan view thereof; and,

FIG. 7 is a bottom plan view thereof.

The broken lines shown in the drawings illustrate portions of the drill driver that forms no part of claimed design.

**1 Claim, 7 Drawing Sheets**



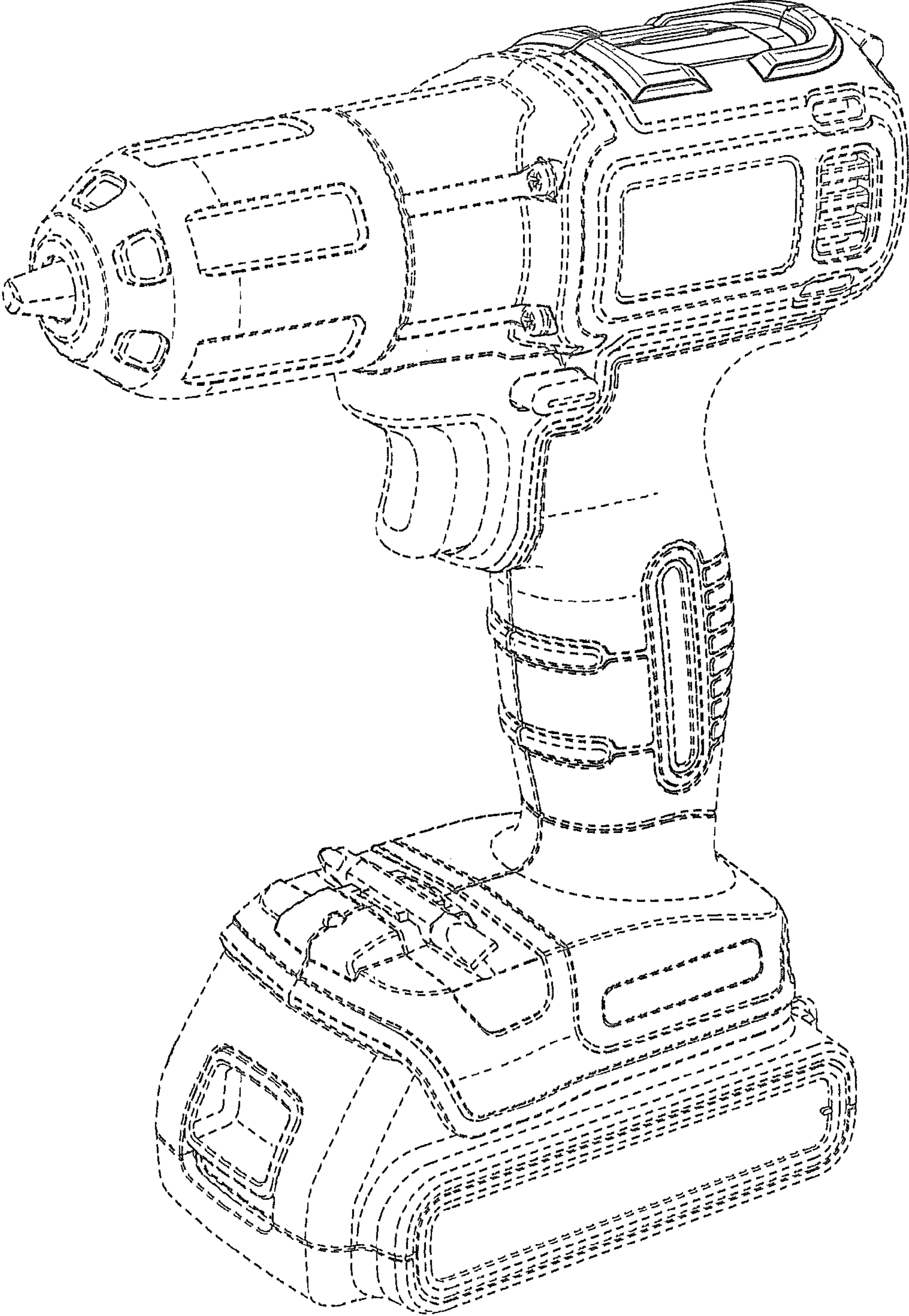


FIG. 1

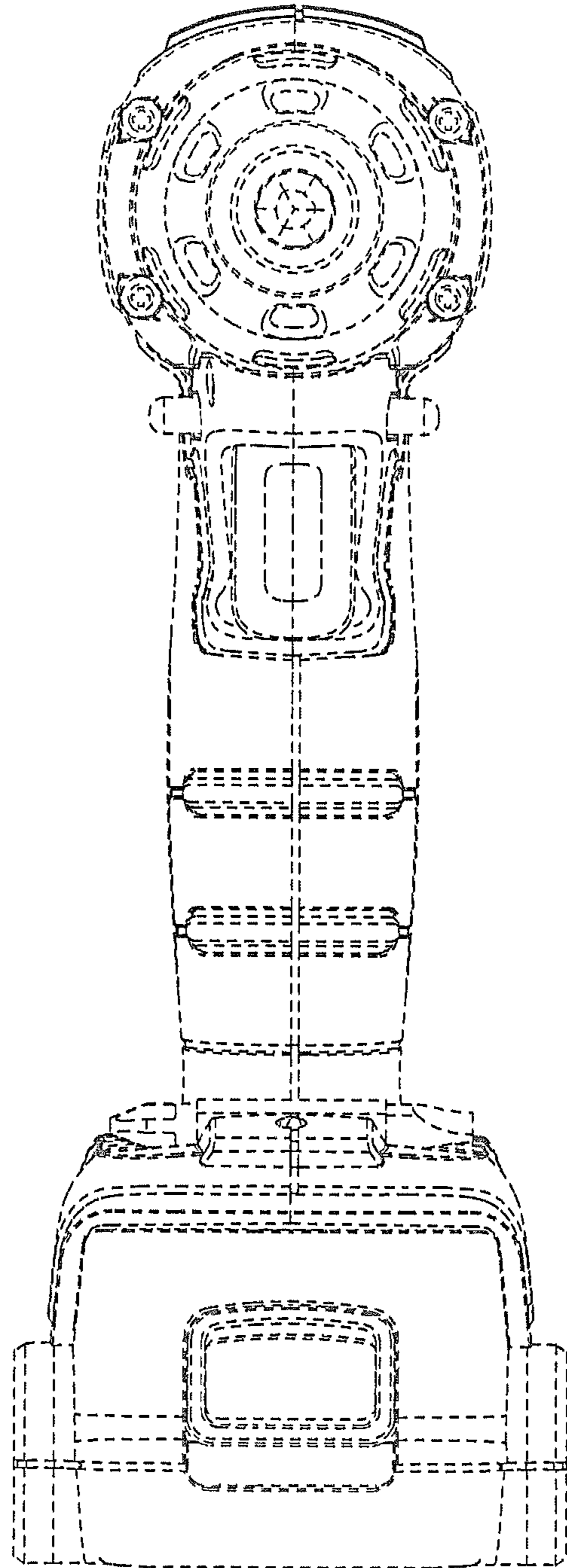


FIG. 2



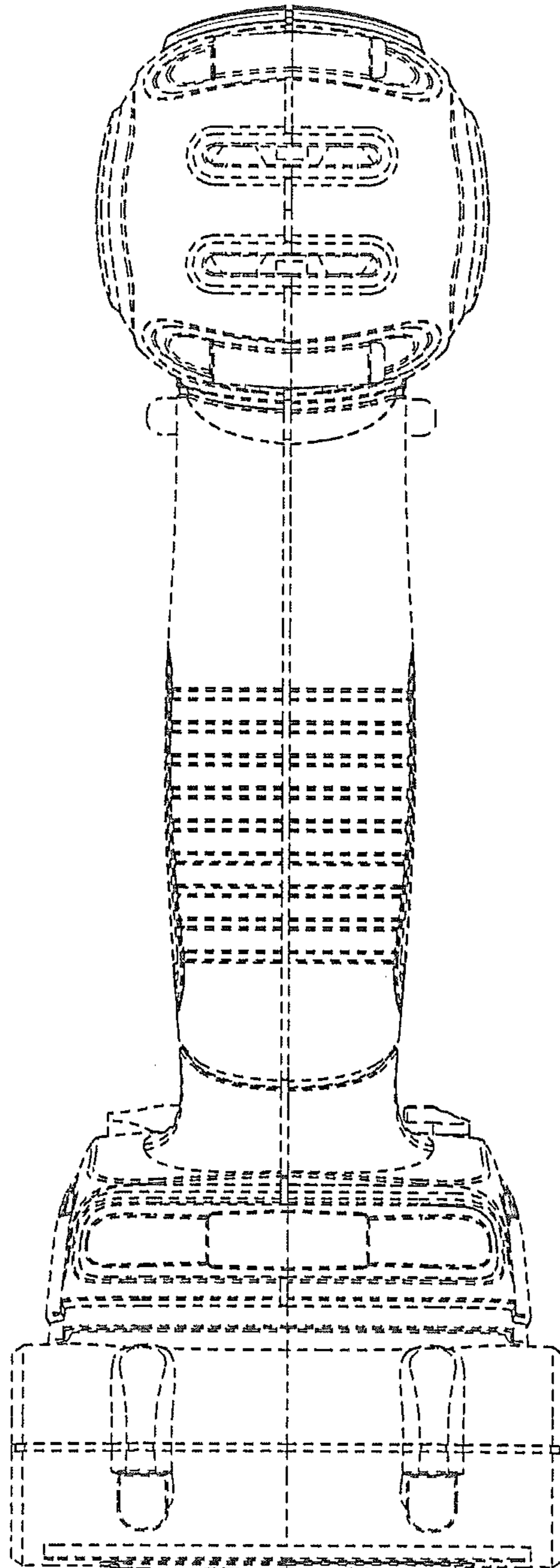


FIG. 3

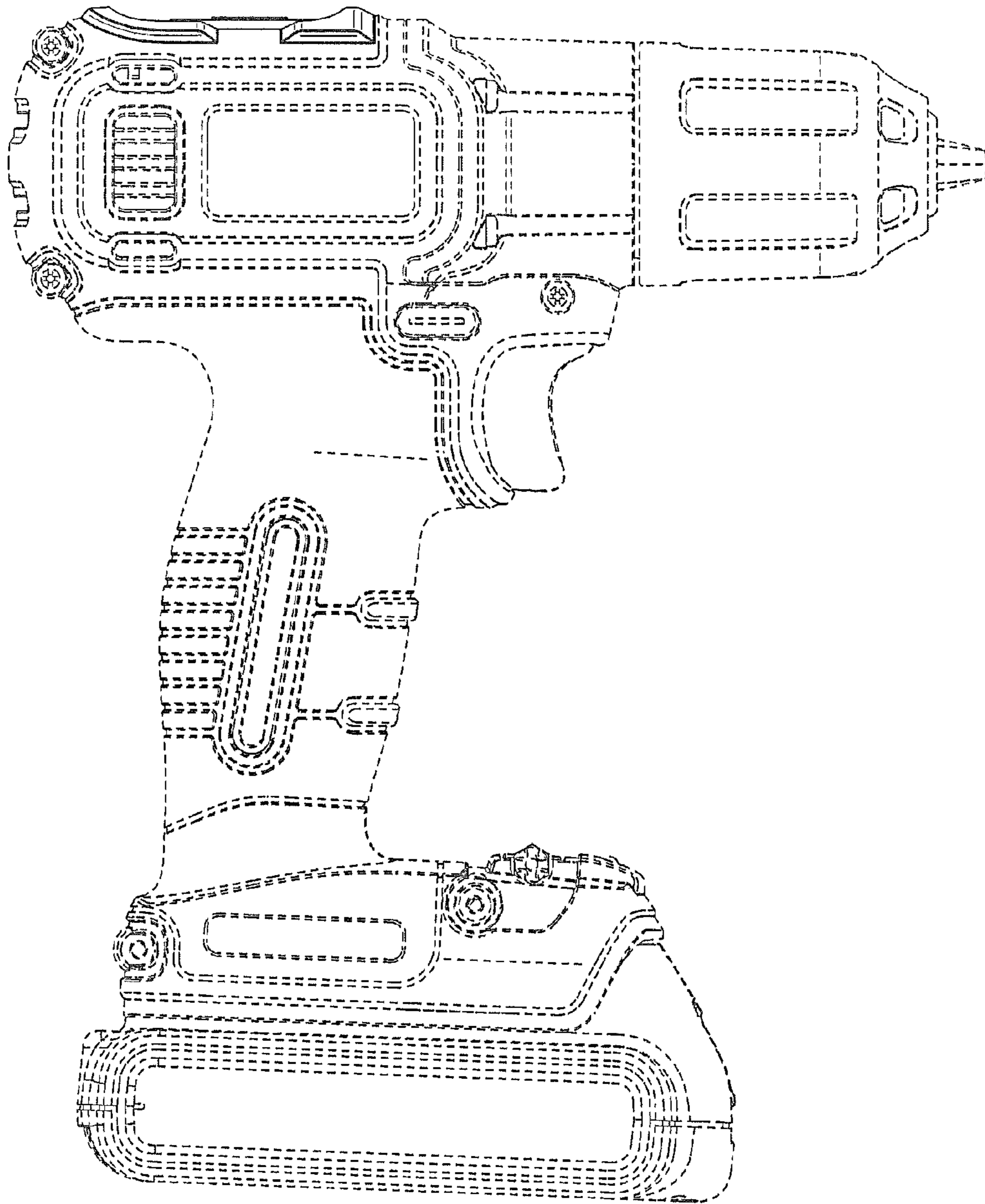


FIG. 4

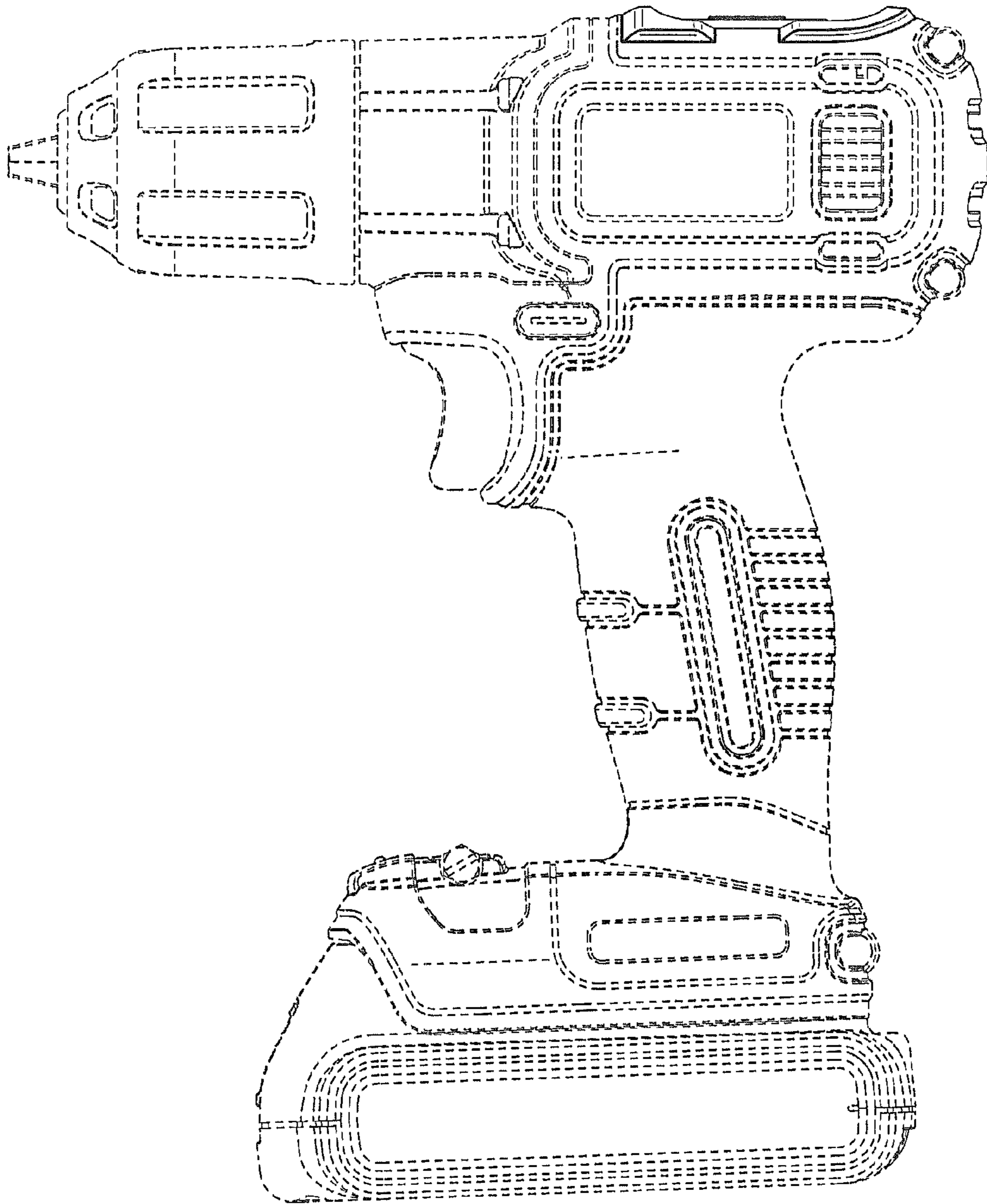


FIG. 5

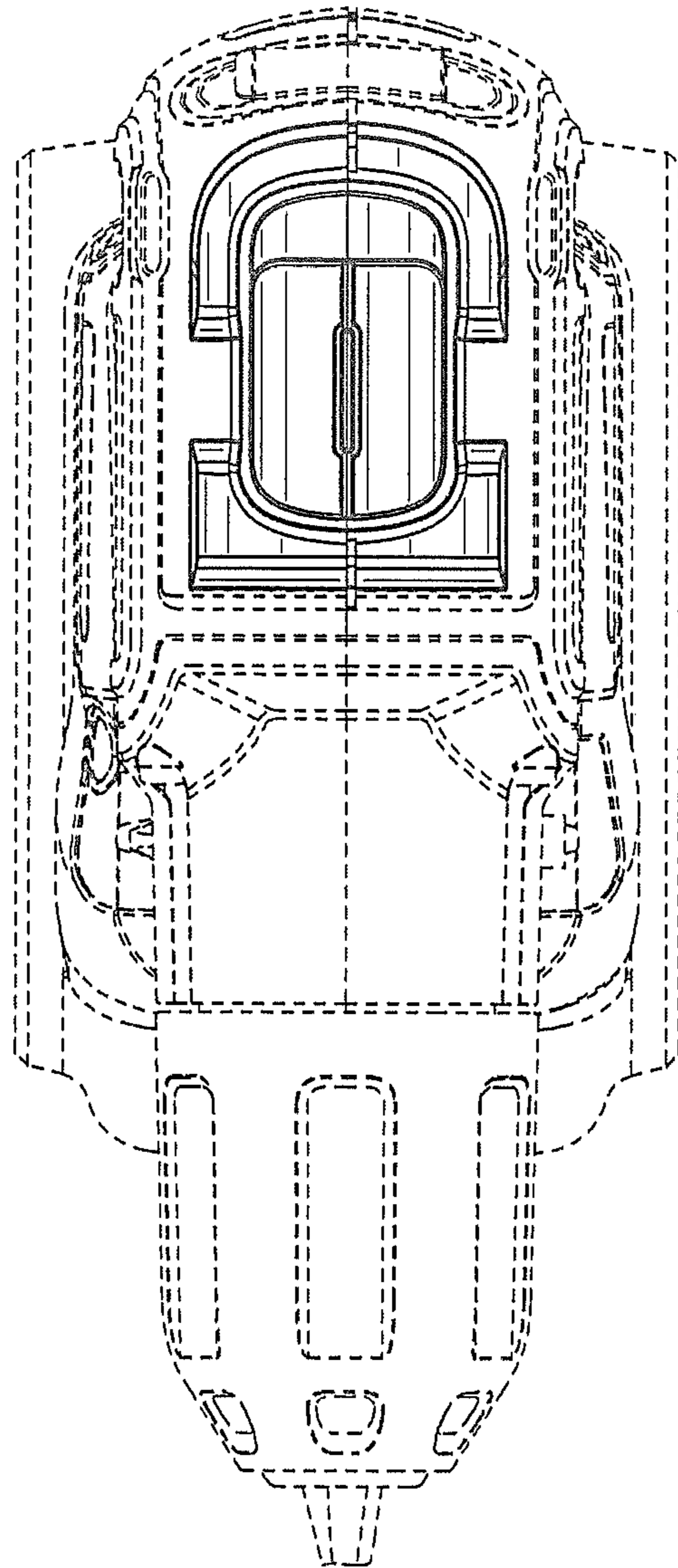


FIG. 6

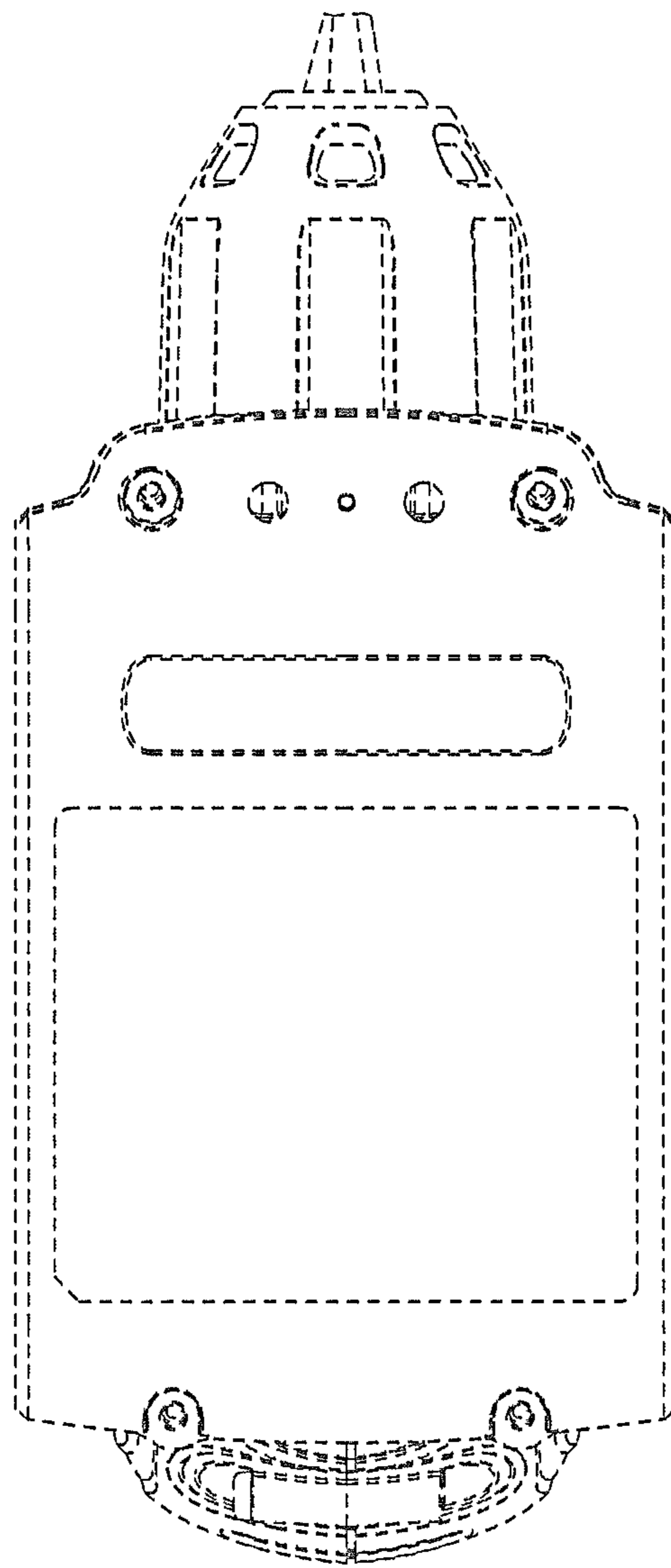


FIG. 7