



US00D725979S

(12) **United States Design Patent**  
**Breedon, III**

(10) **Patent No.:** **US D725,979 S**

(45) **Date of Patent:** **\*\* Apr. 7, 2015**

(54) **T-POST PULLER**

(71) Applicant: **George Breedon, III**, Durant, OK (US)

(72) Inventor: **George Breedon, III**, Durant, OK (US)

(\*\*) Term: **14 Years**

(21) Appl. No.: **29/463,284**

(22) Filed: **Sep. 30, 2013**

(51) **LOC (10) Cl.** ..... **08-05**

(52) **U.S. Cl.**  
USPC ..... **D8/16**

(58) **Field of Classification Search**

CPC ..... H02G 11/02; B65H 75/4476; B65H  
2701/353; B65H 75/241; B65H 75/28; E04G  
21/1825

USPC ..... D8/356, 358, 359, 19, 16, 45; 242/395,  
242/405.3, 405.2, 118.7, 542.4, 160.4, 366,  
242/400, 370, 400.1; D3/24; D15/16;  
D10/61, 62; 33/414, 413; 248/300,  
248/313, 61, 231.81; 16/257

See application file for complete search history.

(56) **References Cited**

**U.S. PATENT DOCUMENTS**

1,959,985	A *	5/1934	Moll	294/82.14
D142,163	S *	8/1945	DeWoskin	D11/218
3,618,176	A *	11/1971	Barnes	248/227.4
D241,506	S	9/1976	Condos	
4,161,310	A *	7/1979	Parker	254/30
D312,196	S	11/1990	Norona	

5,077,850	A *	1/1992	Brubaker	7/151
5,181,680	A *	1/1993	Coll	248/61
D337,412	S	7/1993	Ruggles	
D372,177	S	7/1996	Hansen	
5,681,030	A	10/1997	Nall	
D431,431	S	10/2000	Allen	
7,185,880	B1	3/2007	McCray	
D609,540	S	2/2010	Oberg	
D623,030	S *	9/2010	Spater	D8/16
D624,374	S *	9/2010	Walters, III	D8/19
D661,959	S *	6/2012	Barnhart et al.	D8/16
D673,433	S *	1/2013	Barnhart et al.	D8/16

\* cited by examiner

*Primary Examiner* — Robert M Spear

*Assistant Examiner* — Eliza Bennett-Hattan

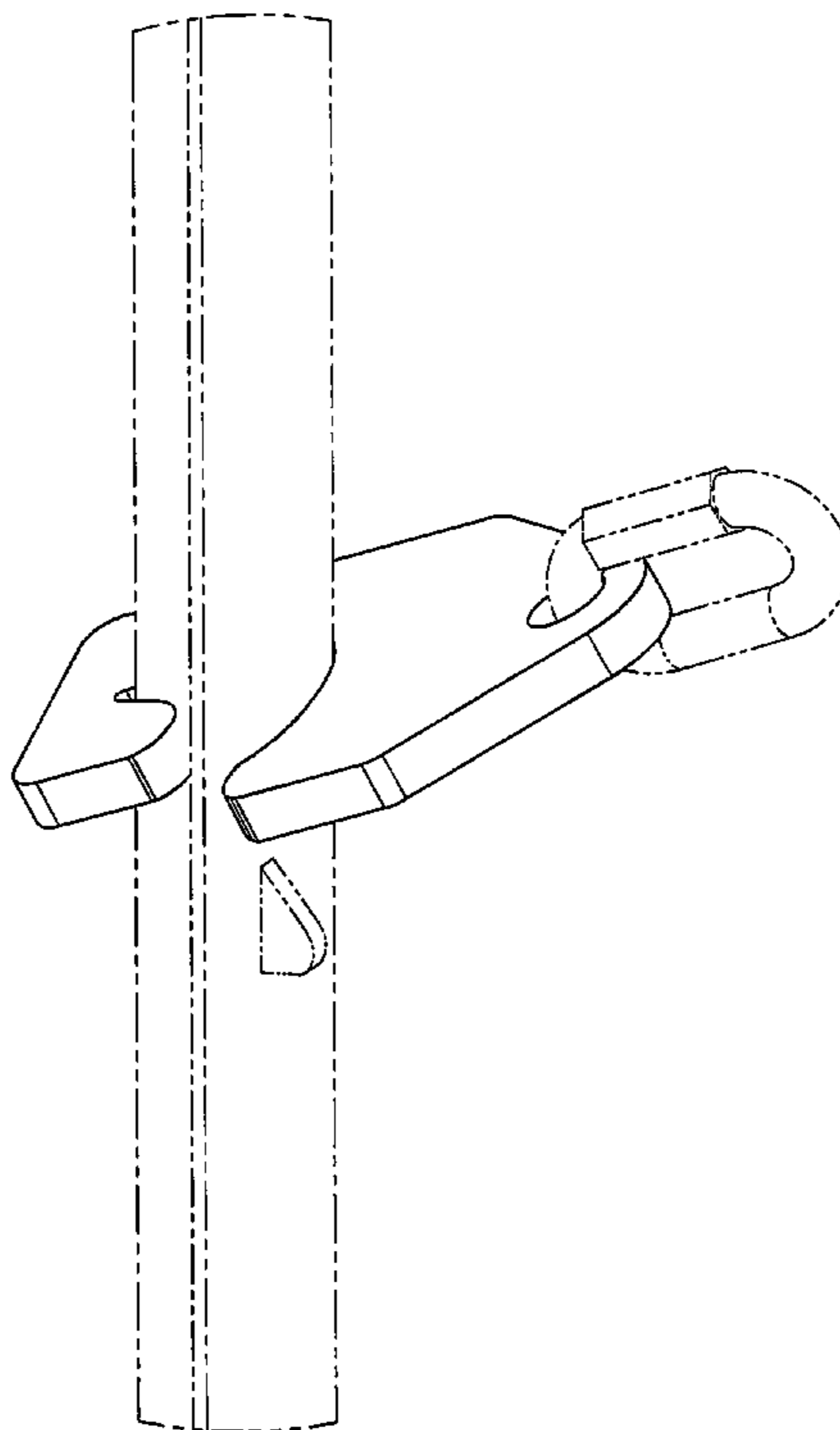
(57) **CLAIM**

The ornamental design for a T-post puller, as shown and described.

**DESCRIPTION**

FIG. 1 is a front view of a T-post puller.  
FIG. 2 is a right side view of the T-post puller.  
FIG. 3 is a top end view of the T-post puller.  
FIG. 4 is a bottom end view of the T-post puller.  
FIG. 5 is a left side view of the T-post puller.  
FIG. 6 is a bottom end view of the T-post puller; and,  
FIG. 7 is a perspective view of the T-post puller with dash-dot-dot-dash lines indicating an environment within which the T-post puller is applied.

**1 Claim, 3 Drawing Sheets**



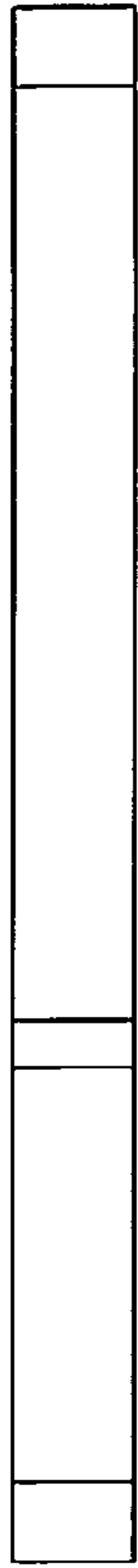


FIG. 2

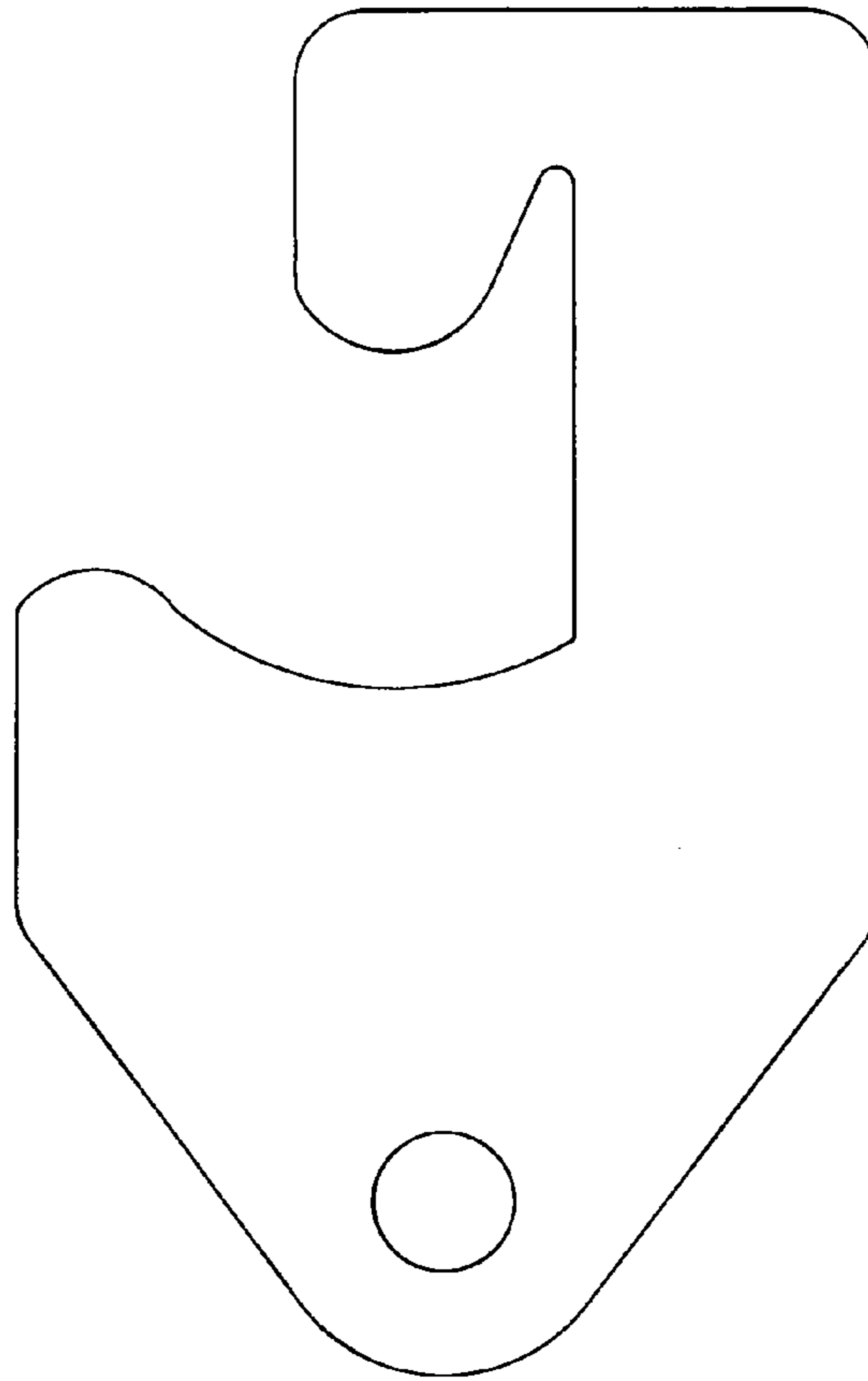


FIG. 1



FIG. 3

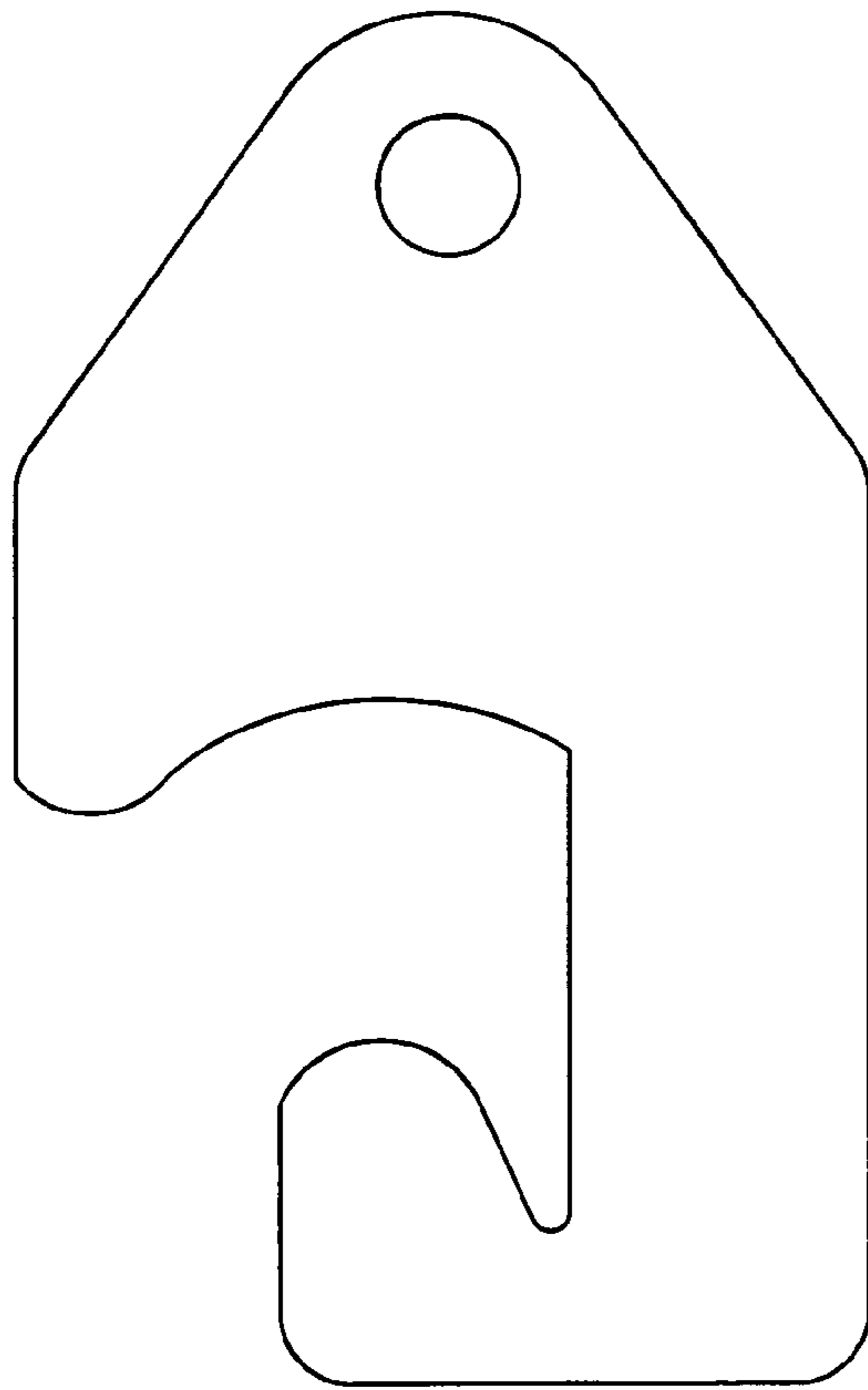


FIG. 4



FIG. 5



FIG. 6

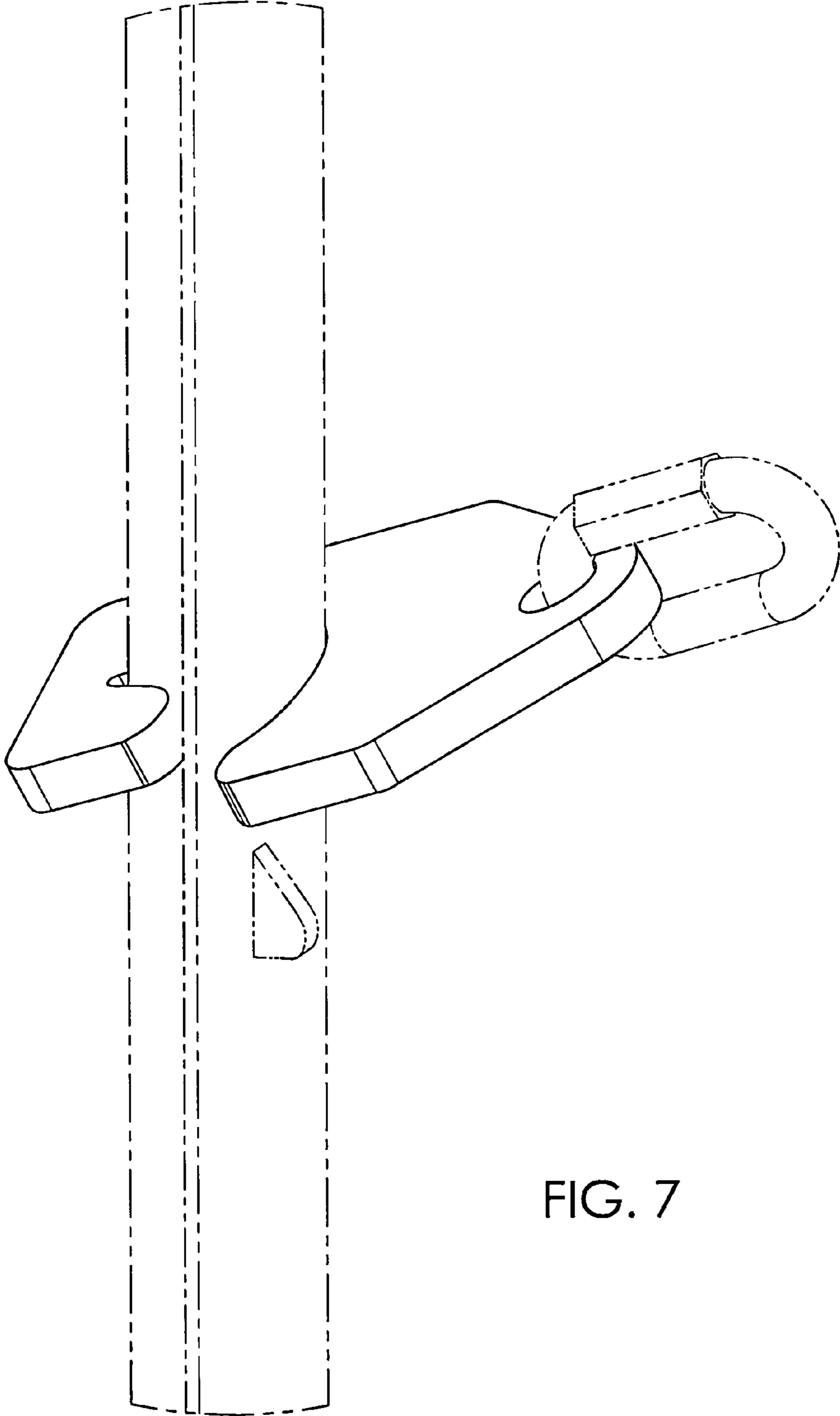


FIG. 7