



US00D725978S

(12) **United States Design Patent**
Uematsu et al.

(10) **Patent No.:** **US D725,978 S**
(45) **Date of Patent:** **** Apr. 7, 2015**

(54) **SEALING GUN**

(71) Applicant: **Panasonic Corporation**, Osaka (JP)

(72) Inventors: **Kazuma Uematsu**, Saitama (JP); **Yuki Yamamoto**, Tokyo (JP); **Satoshi Fujii**, Osaka (JP)

(73) Assignee: **Panasonic Intellectual Property Management Co., Ltd.**, Osaka (JP)

(**) Term: **14 Years**

(21) Appl. No.: **29/436,164**

(22) Filed: **Nov. 2, 2012**

(30) **Foreign Application Priority Data**

May 7, 2012 (JP) 2012-010470

(51) **LOC (10) Cl.** **08-05**

(52) **U.S. Cl.**
USPC **D8/14.1**

(58) **Field of Classification Search**
USPC D8/14.1, 29.1, 29.2, 30, 61, 107;
222/325, 326, 327, 330, 333; D28/13,
D28/18

See application file for complete search history.

(56) **References Cited**

U.S. PATENT DOCUMENTS

D41,398 S * 5/1911 Stephenson D8/14.1
D216,945 S * 3/1970 Gilman D8/30
3,668,370 A * 6/1972 Pattison 392/385
4,615,469 A * 10/1986 Kishi et al. 222/327
D348,811 S * 7/1994 Albers D8/14.1
D369,434 S * 4/1996 LeCompte, Sr. D28/13

5,762,239 A * 6/1998 Cossette 222/326
D461,383 S * 8/2002 Blackburn D8/29.1
D545,152 S * 6/2007 Lopano et al. D8/14.1
D573,425 S * 7/2008 Post et al. D8/14.1
D646,847 S * 10/2011 Correll et al. D28/13
8,528,785 B2 * 9/2013 Naughton 222/137
8,573,450 B2 * 11/2013 Hsu et al. 222/333

OTHER PUBLICATIONS

Panasonic Cordless Sealing Gun. Downloaded from <http://www.panasonic-powertools.eu/pt/151.htm> on Dec. 15, 2013.*

* cited by examiner

Primary Examiner — Philip S Hyder

Assistant Examiner — Roselynn Cody

(74) *Attorney, Agent, or Firm* — Panasonic Patent Center

(57) **CLAIM**

We claim the ornamental design for a sealing gun, as shown and described.

DESCRIPTION

FIG. 1 is a front perspective view of a sealing gun of the present invention;

FIG. 2 is a rear perspective view thereof;

FIG. 3 is a front view thereof;

FIG. 4 is a rear view thereof;

FIG. 5 is a left side view thereof;

FIG. 6 is a right side view thereof;

FIG. 7 is a top view thereof; and,

FIG. 8 is a bottom view thereof.

The broken lines in the drawings illustrate features of sealing gun that form no part of the claim.

1 Claim, 8 Drawing Sheets

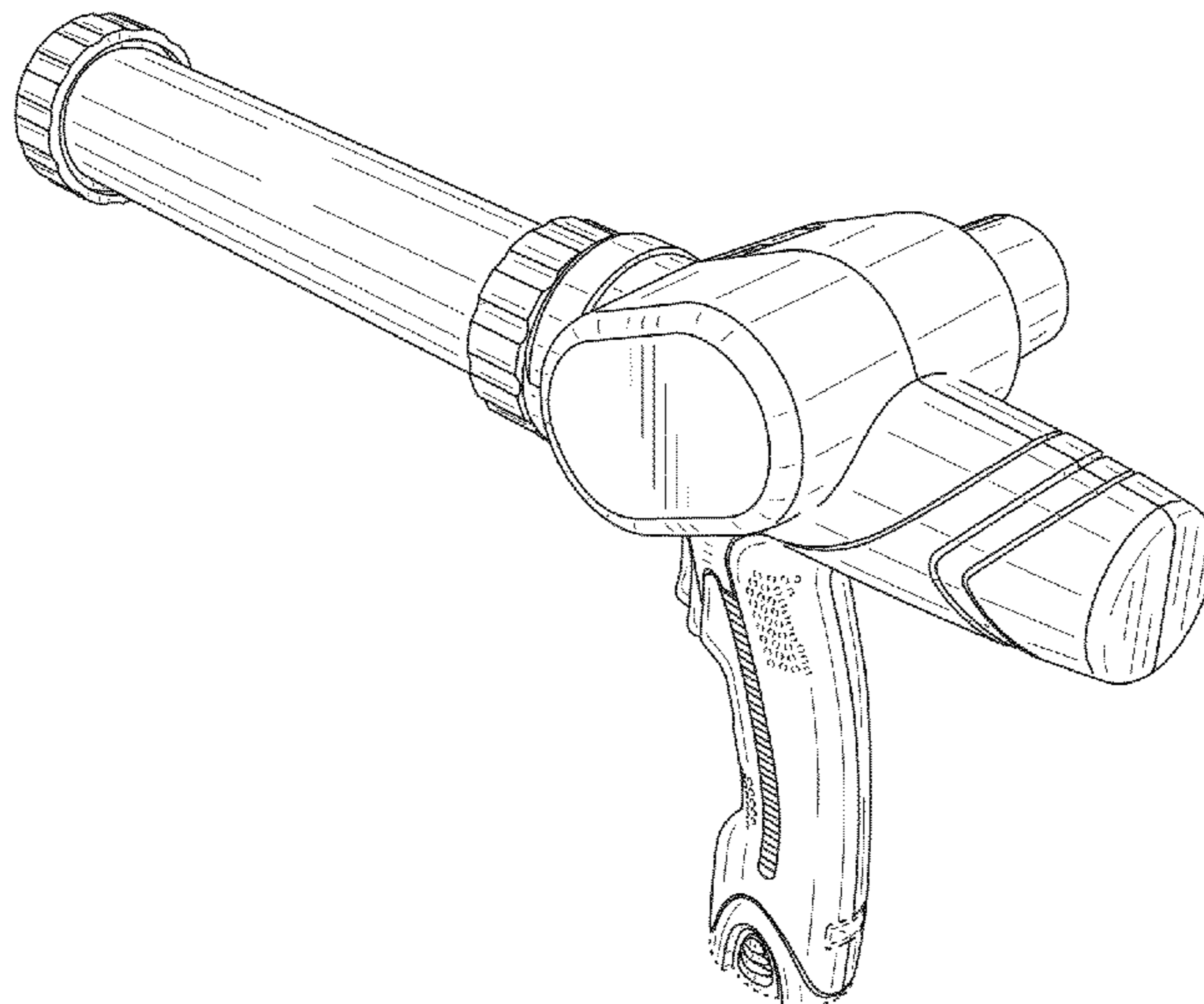


FIG. 1

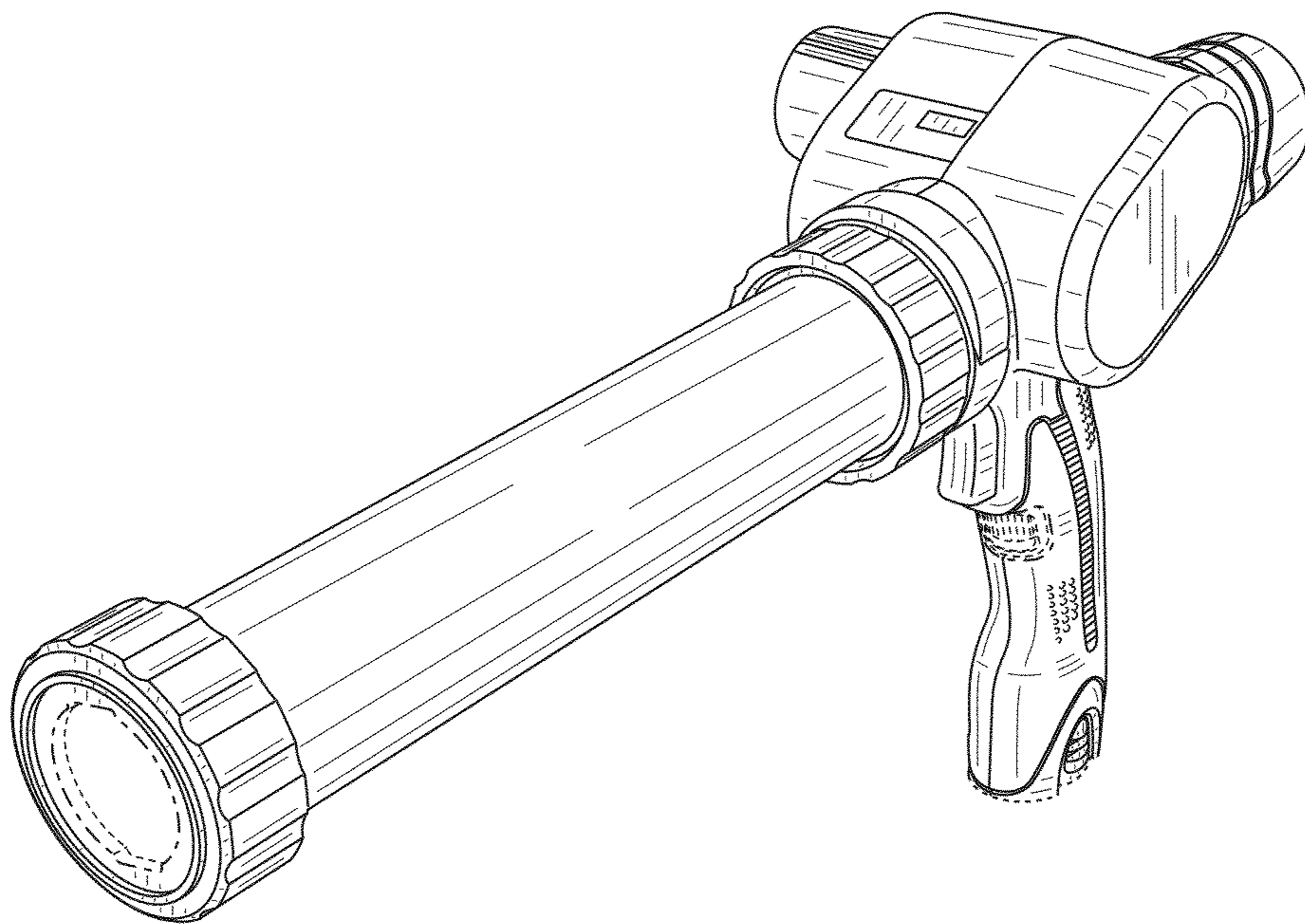


FIG. 2

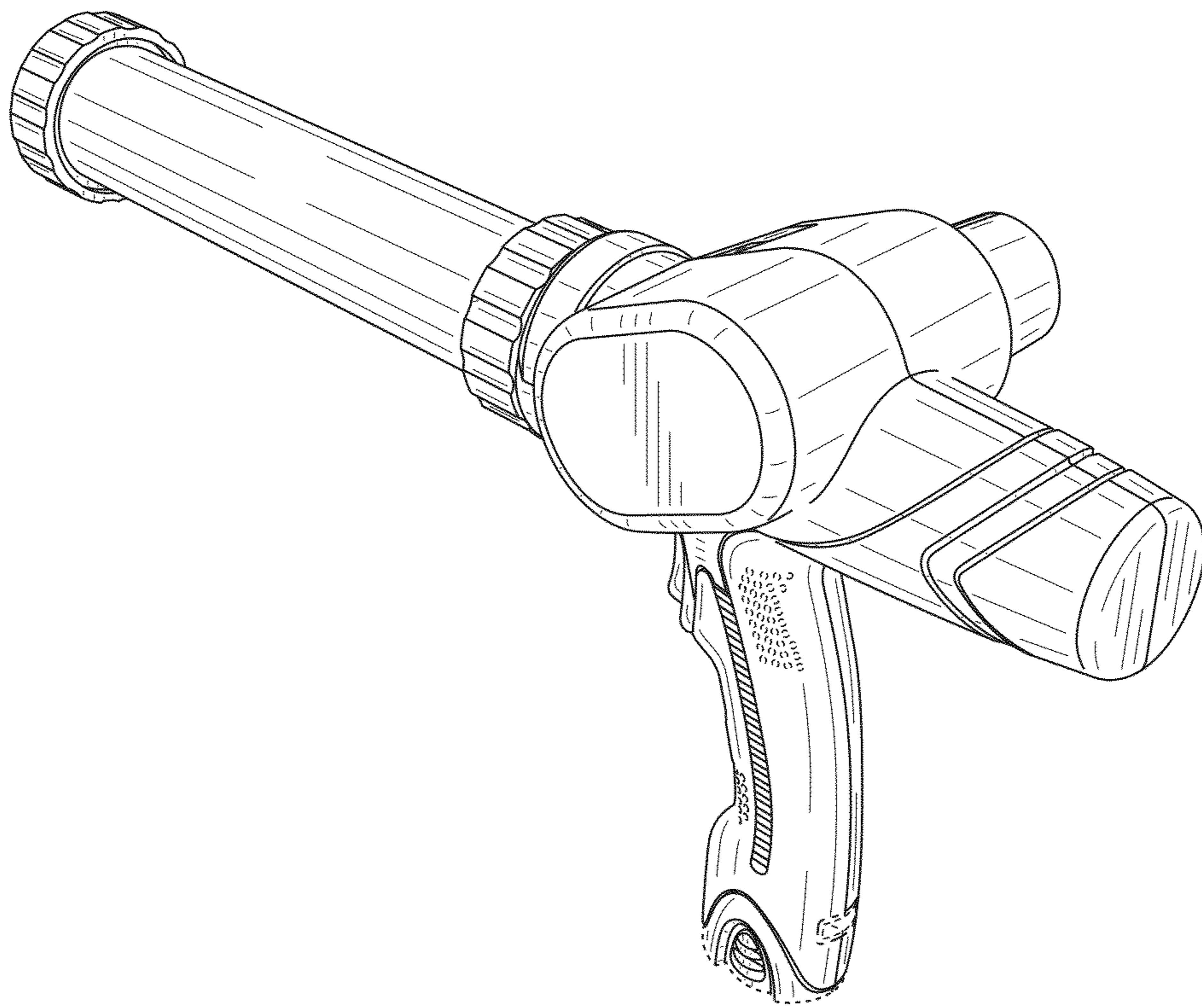


FIG. 3

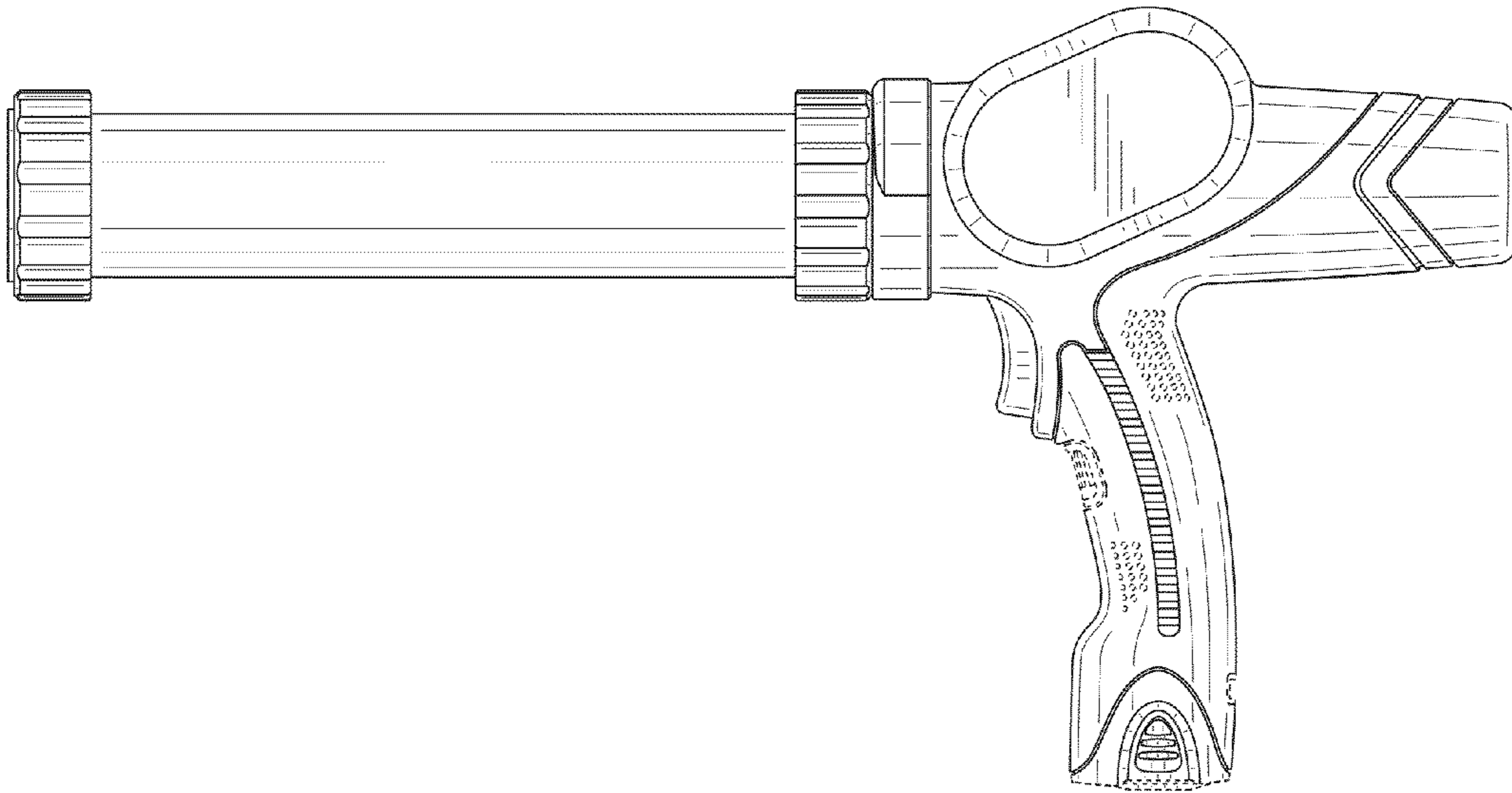


FIG. 4

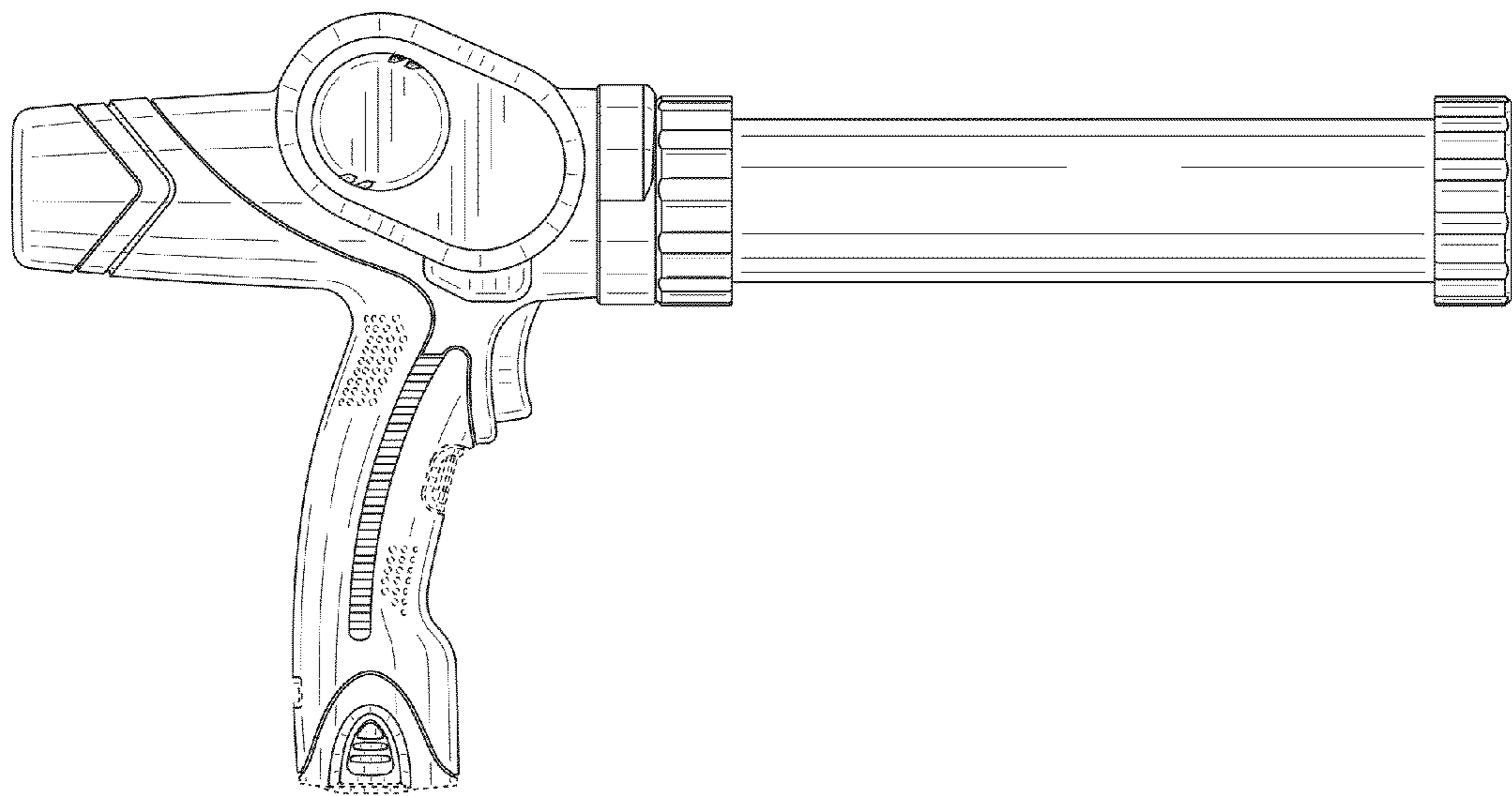


FIG. 5

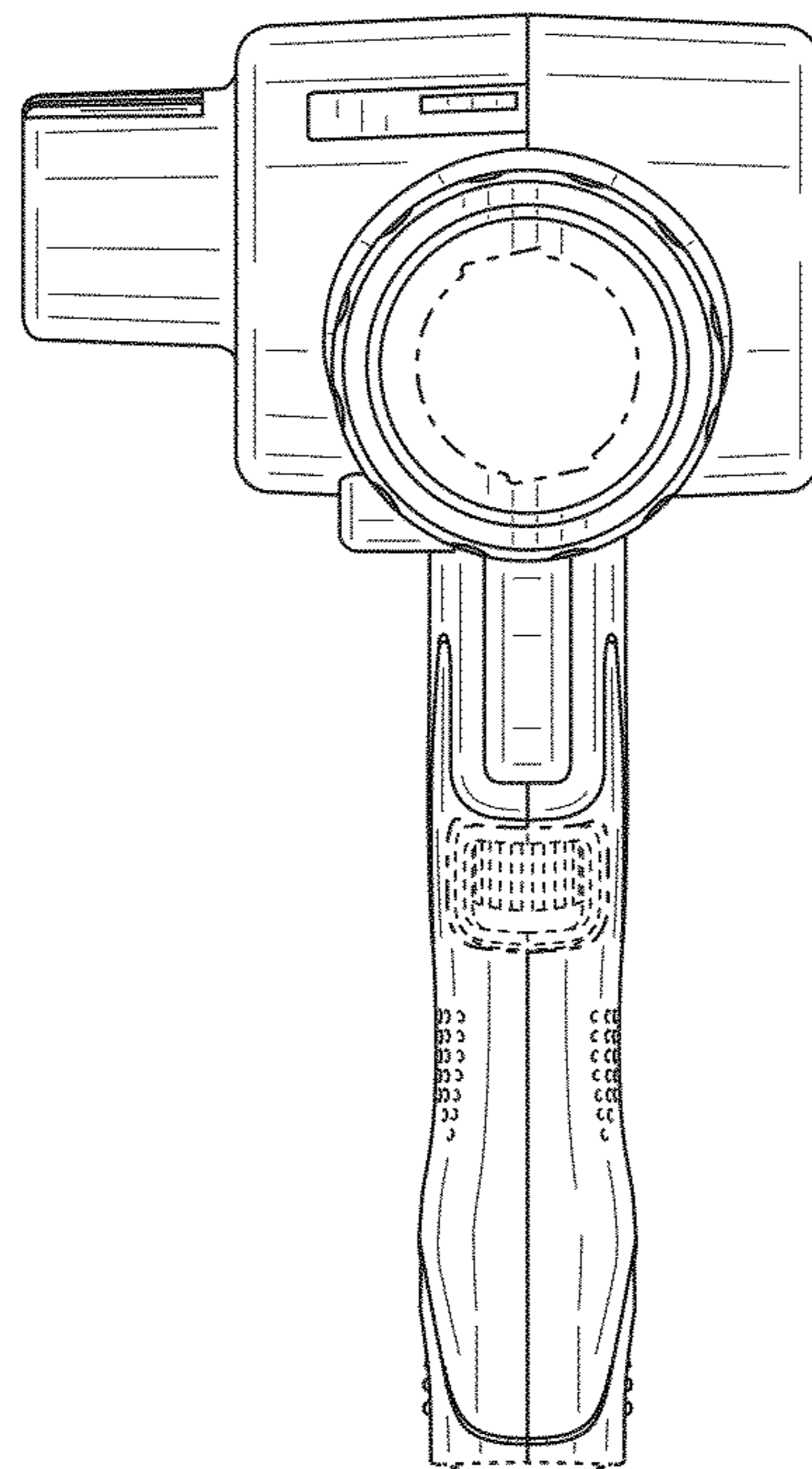


FIG. 6

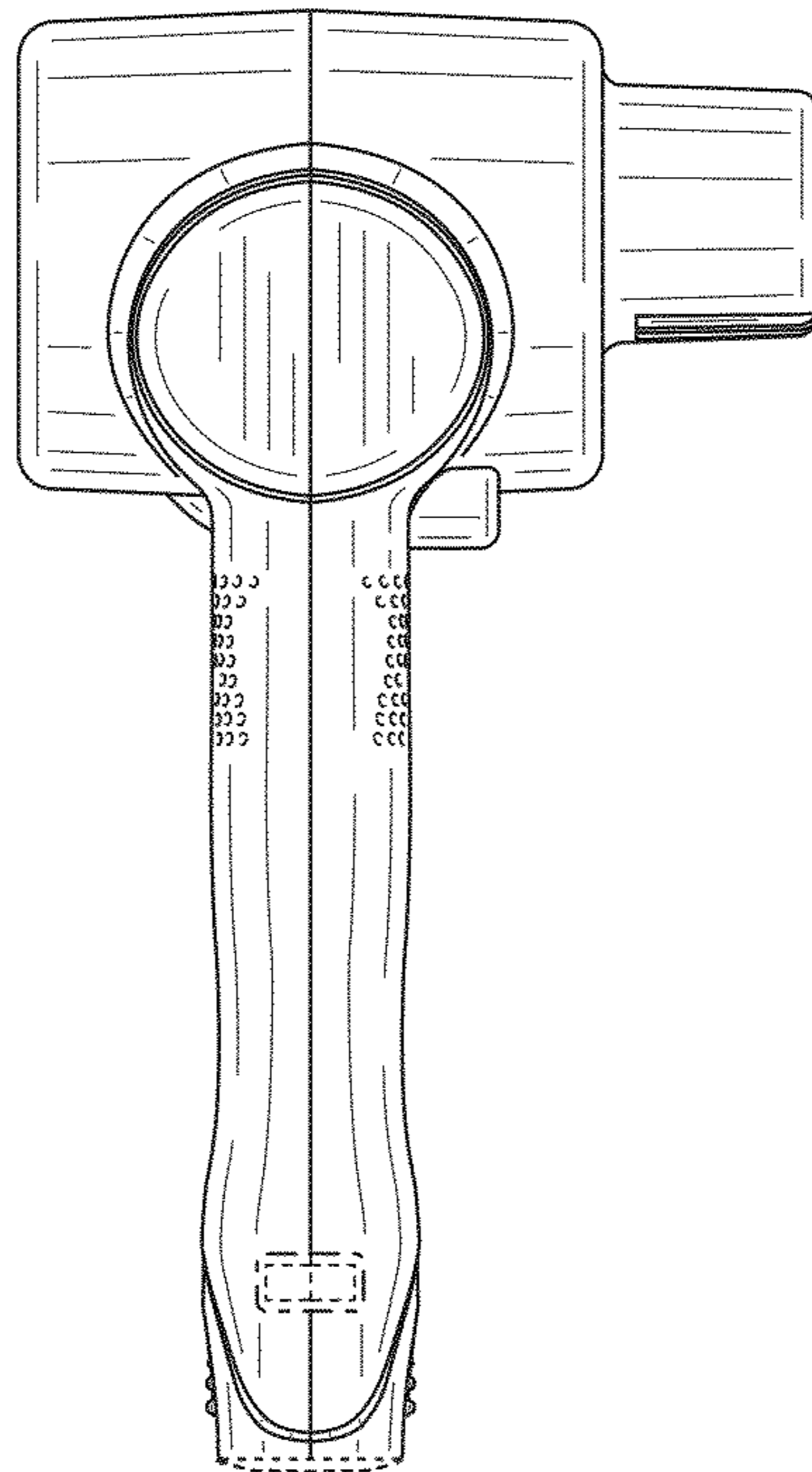


FIG. 7

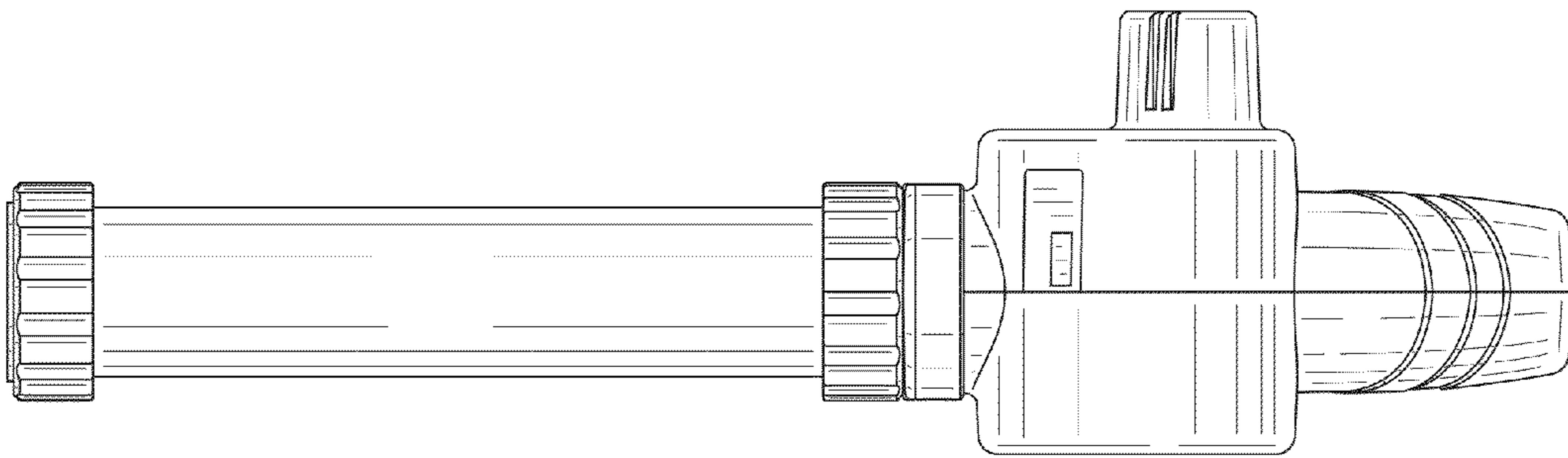


FIG. 8

