



US00D725977S

(12) **United States Design Patent**
Tsai

(10) **Patent No.:** **US D725,977 S**

(45) **Date of Patent:** **** Apr. 7, 2015**

(54) **SKATEBOARD TOOL ASSEMBLY**

(71) Applicant: **Wen Tang Tsai**, Taichung (TW)

(72) Inventor: **Wen Tang Tsai**, Taichung (TW)

(**) Term: **14 Years**

(21) Appl. No.: **29/458,751**

(22) Filed: **Jun. 21, 2013**

(51) **LOC (10) Cl.** **08-05**

(52) **U.S. Cl.**
USPC **D8/14**

(58) **Field of Classification Search**
USPC D8/14, 16, 17, 21, 22, 26, 28, 29, 31,
D8/82, 83, 84, 85, 86, 87, 105, 107;
D21/760, 771; 7/138, 139, 165; 81/28,
81/52, 177.1, 177.85, 437-439, 462, 467,
81/487, 489, 490

See application file for complete search history.

(56) **References Cited**

U.S. PATENT DOCUMENTS

995,808	A *	6/1911	Schade	81/28
4,774,736	A *	10/1988	Brawner et al.	7/138
D304,898	S *	12/1989	Brawner et al.	D8/26
D375,668	S *	11/1996	Kalousis	D8/68
7,293,312	B2 *	11/2007	Chmelar	7/165
D622,561	S *	8/2010	Brown, III	D8/14

D687,690	S *	8/2013	Chen	D8/26
8,601,916	B2 *	12/2013	Chen	81/439
2007/0074351	A1 *	4/2007	Chmelar	7/165

* cited by examiner

Primary Examiner — Susan Bennett Hattan

Assistant Examiner — Leanne Was

(74) *Attorney, Agent, or Firm* — Inskeep IP Group, Inc.

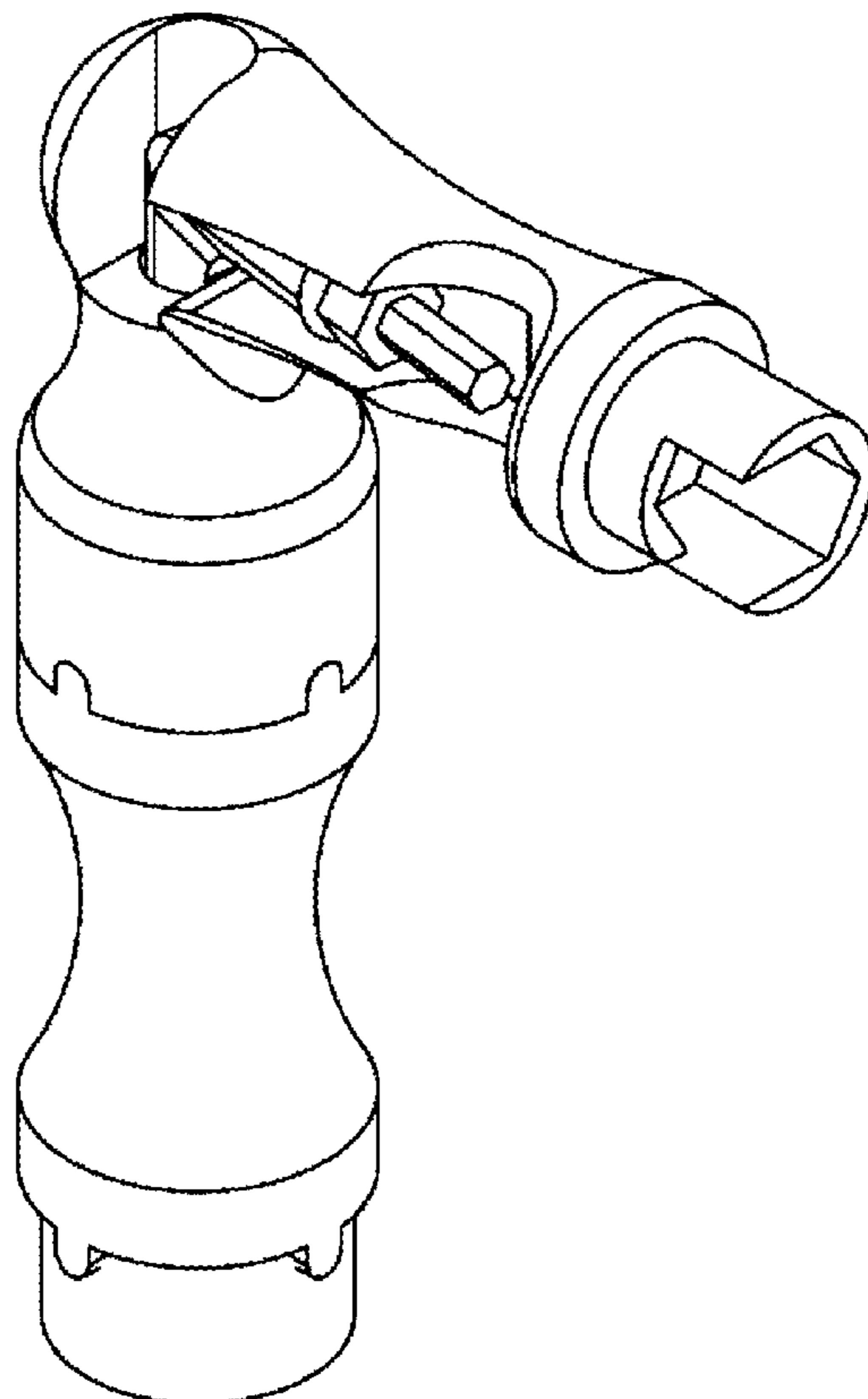
(57) **CLAIM**

The ornamental design for a skateboard tool assembly, as shown and described.

DESCRIPTION

FIG. 1 is a side view of a tool for adjusting a skateboard;
FIG. 2 is front view thereof;
FIG. 3 is an upper perspective view thereof;
FIG. 4 is a rear view thereof;
FIG. 5 is a top view thereof;
FIG. 6 is a bottom view thereof;
FIG. 7 is an upper perspective view thereof;
FIG. 8 is an exploded perspective view thereof;
FIG. 9 is a side view thereof with an end portion removed;
and,
FIG. 10 is an upper perspective view thereof with an end portion removed.

1 Claim, 10 Drawing Sheets



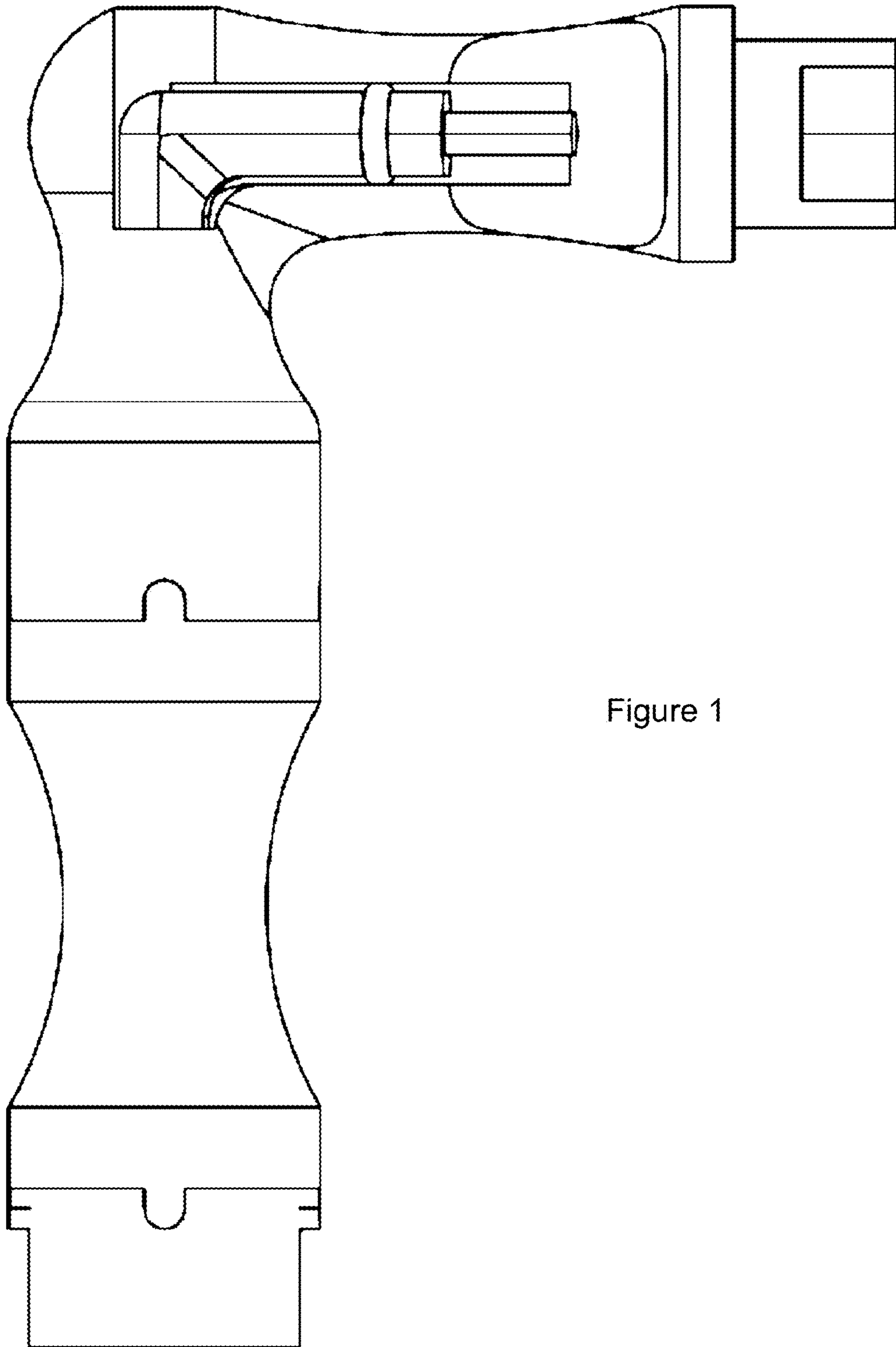


Figure 1

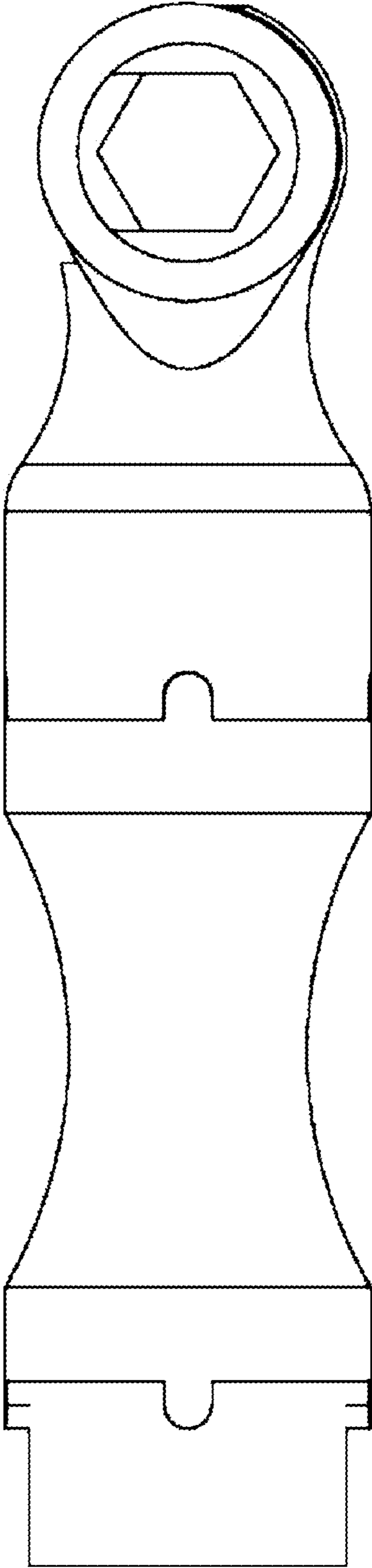


Figure 2

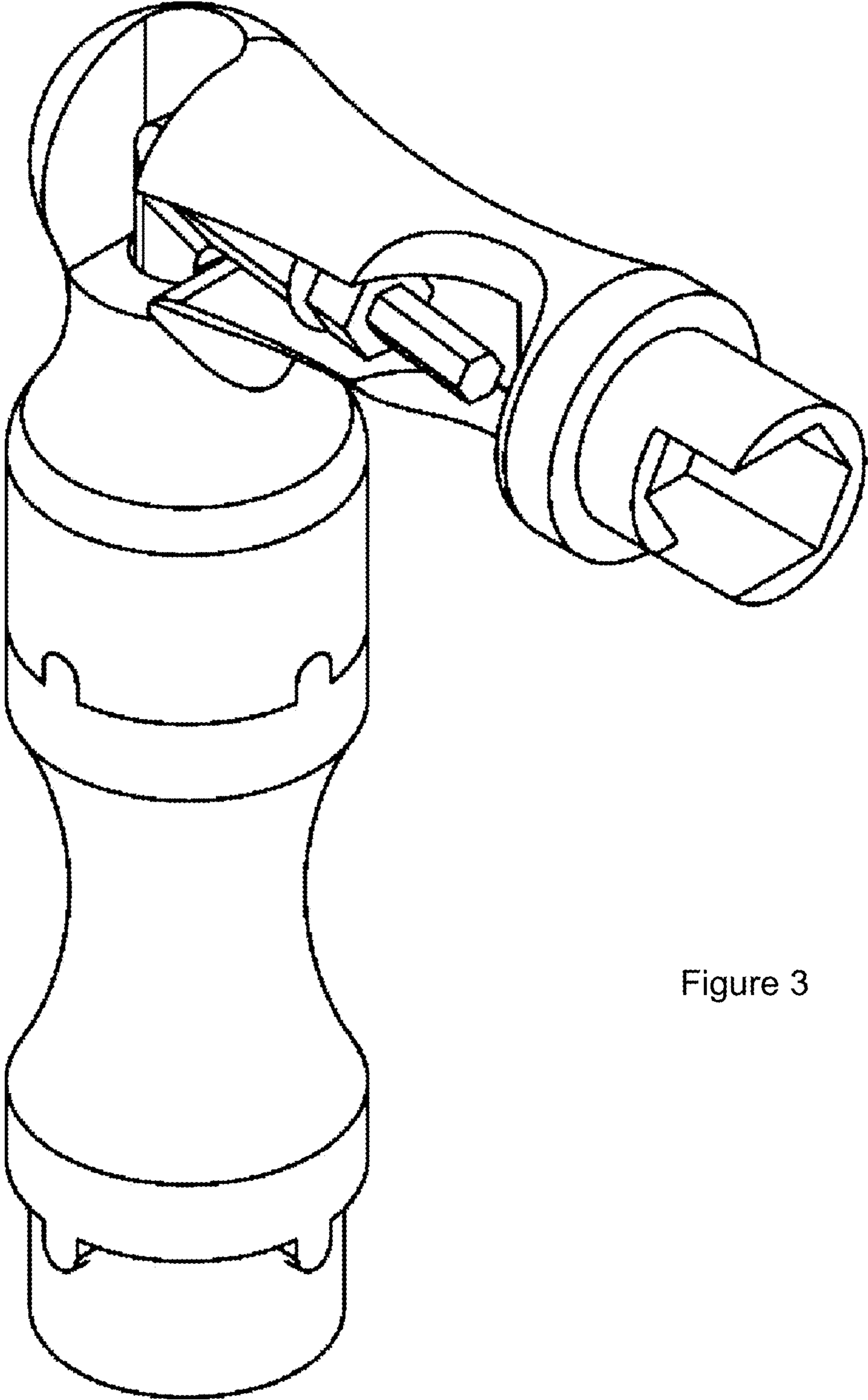


Figure 3

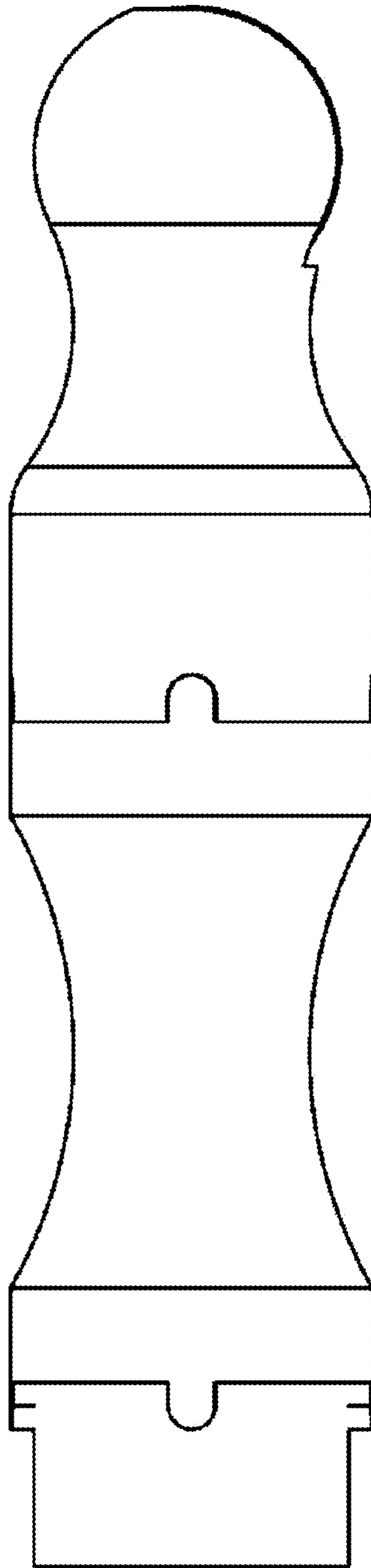


Figure 4

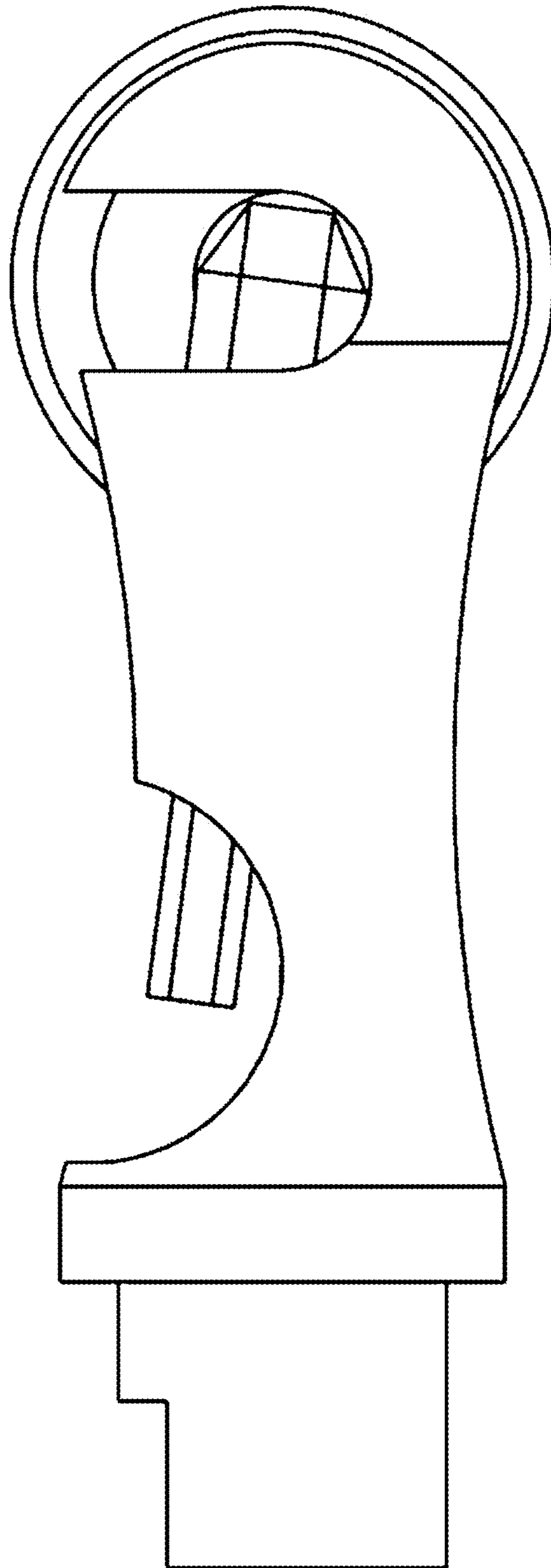


Figure 5

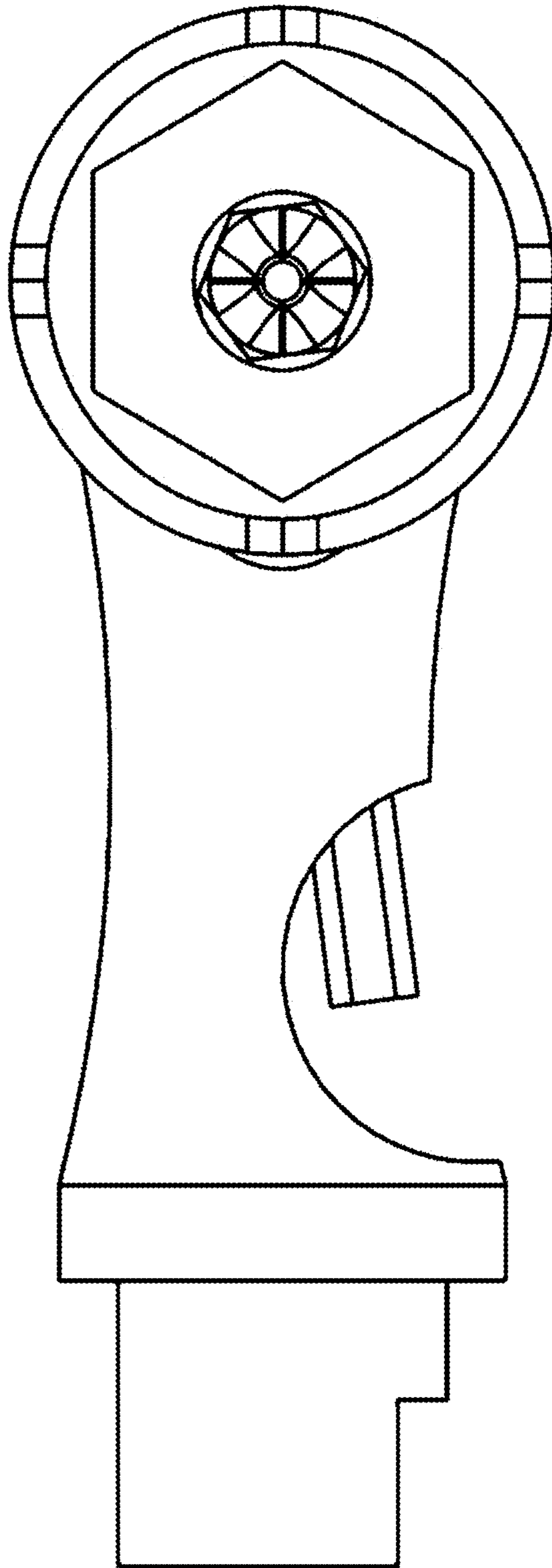


Figure 6

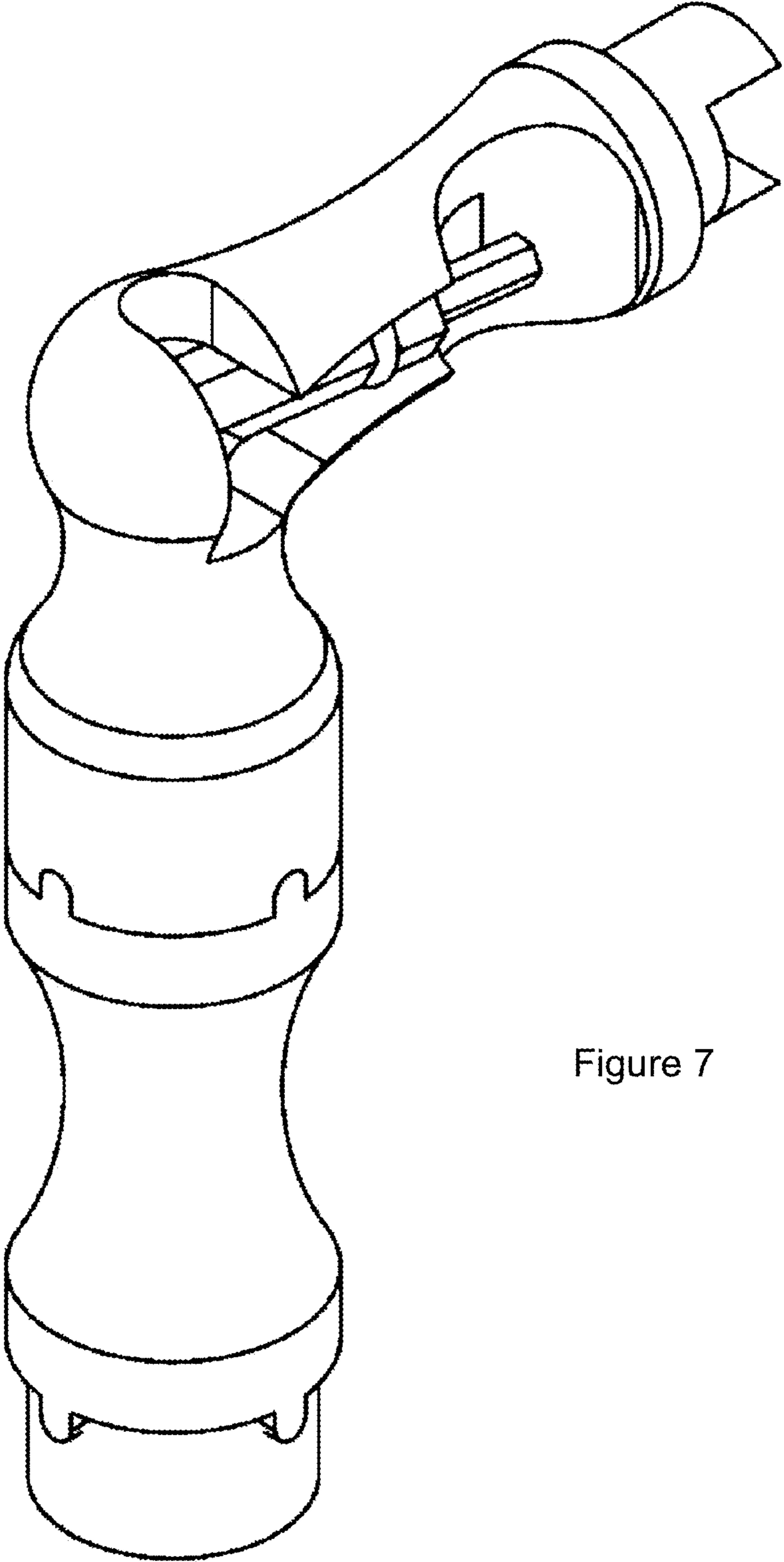


Figure 7

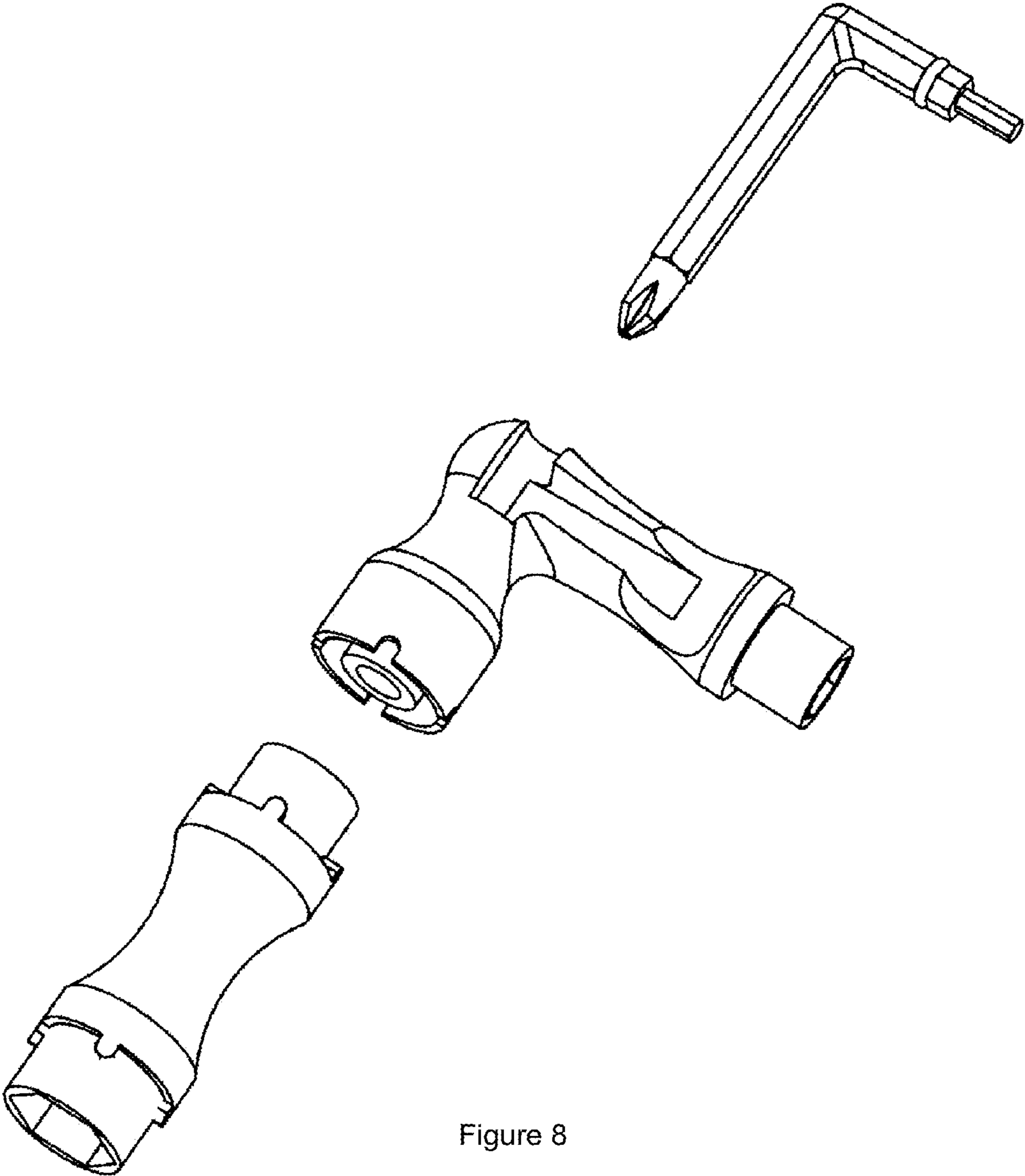


Figure 8

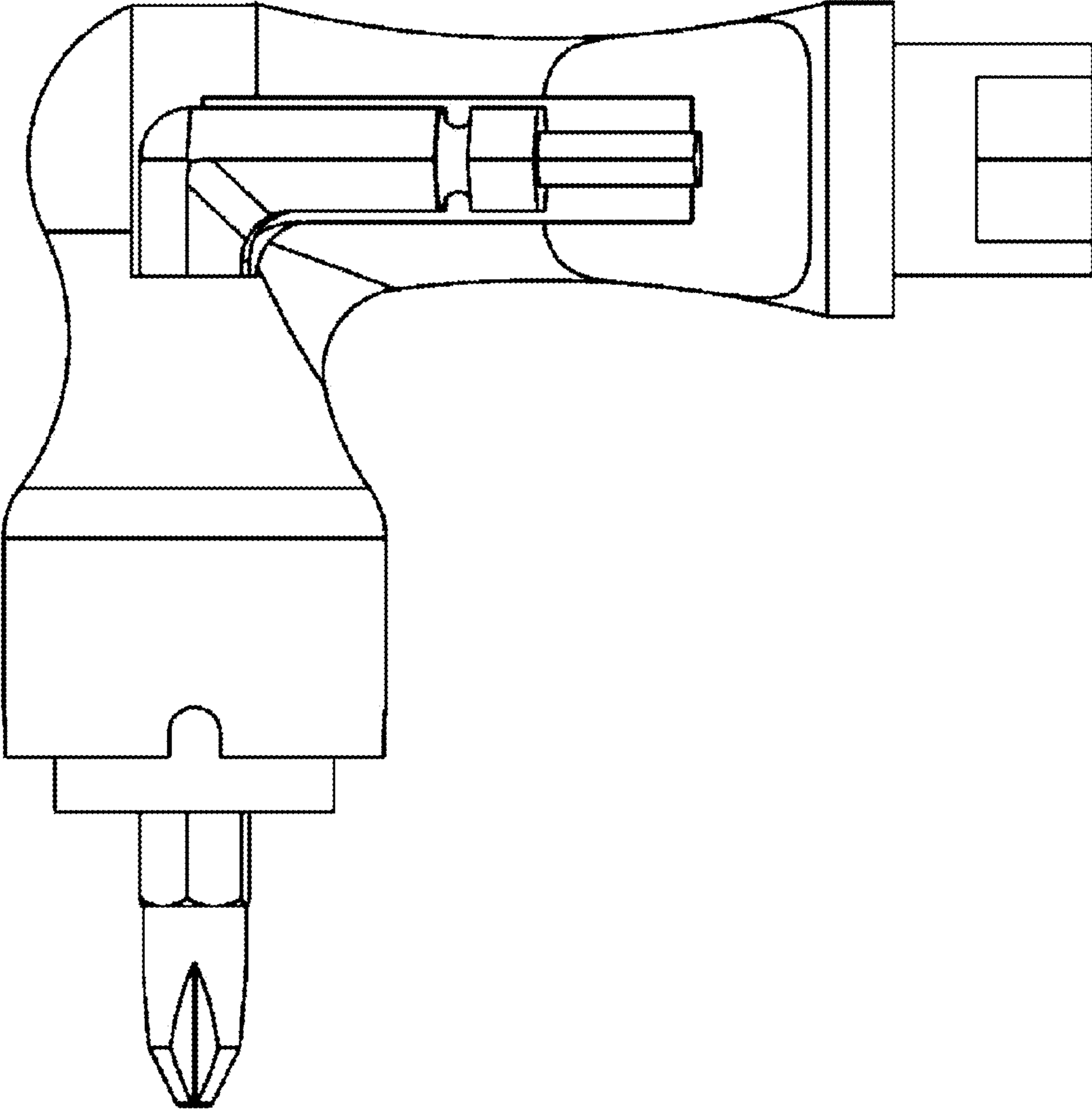


Figure 9

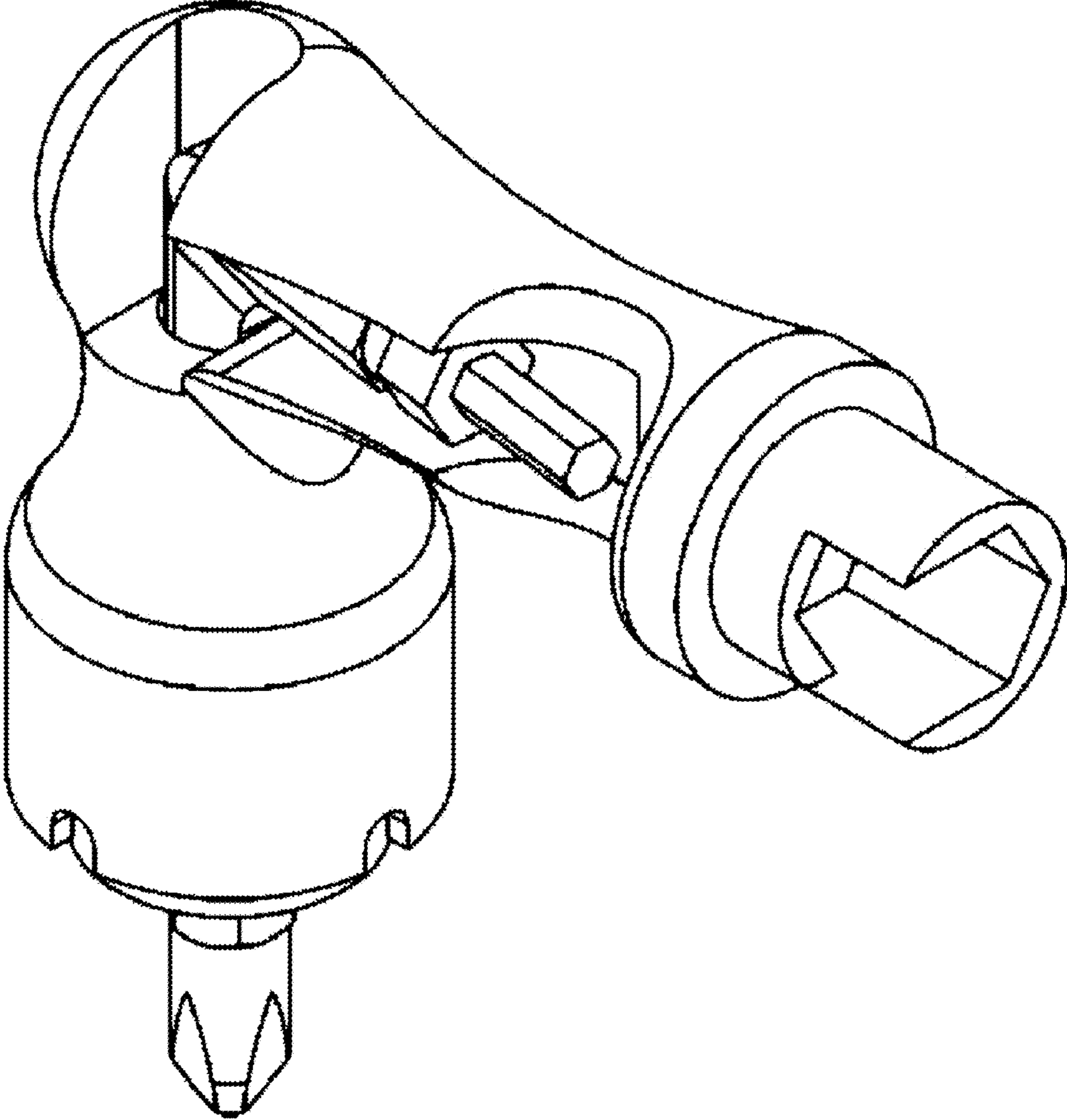


Figure 10