



US00D725975S

(12) **United States Design Patent**
Klenk

(10) **Patent No.:** **US D725,975 S**

(45) **Date of Patent:** **** Apr. 7, 2015**

(54) **FUNNEL**

(71) Applicant: **Adam Christopher Klenk**, Jackson, MI
(US)

(72) Inventor: **Adam Christopher Klenk**, Jackson, MI
(US)

(**) Term: **14 Years**

(21) Appl. No.: **29/464,083**

(22) Filed: **Aug. 13, 2013**

(51) **LOC (10) Cl.** **07-99**

(52) **U.S. Cl.**
USPC **D7/700; D10/46.2**

(58) **Field of Classification Search**
CPC B67C 11/00; B67C 11/02; B65B 39/00;
B65B 39/007; A47J 31/0642
USPC D7/700, 400; D23/200; D15/150-152;
141/95, 98, 297-300, 319-321,
141/331-345; 99/323; D10/46.2, 46.3;
73/426-429

See application file for complete search history.

(56) **References Cited**

U.S. PATENT DOCUMENTS

D235,183 S * 5/1975 Braun D7/667
6,035,907 A * 3/2000 DeCoster 141/331

* cited by examiner

Primary Examiner — Terry Wallace

(74) *Attorney, Agent, or Firm* — Clements Bernard PLLC;
Seth L. Hudson

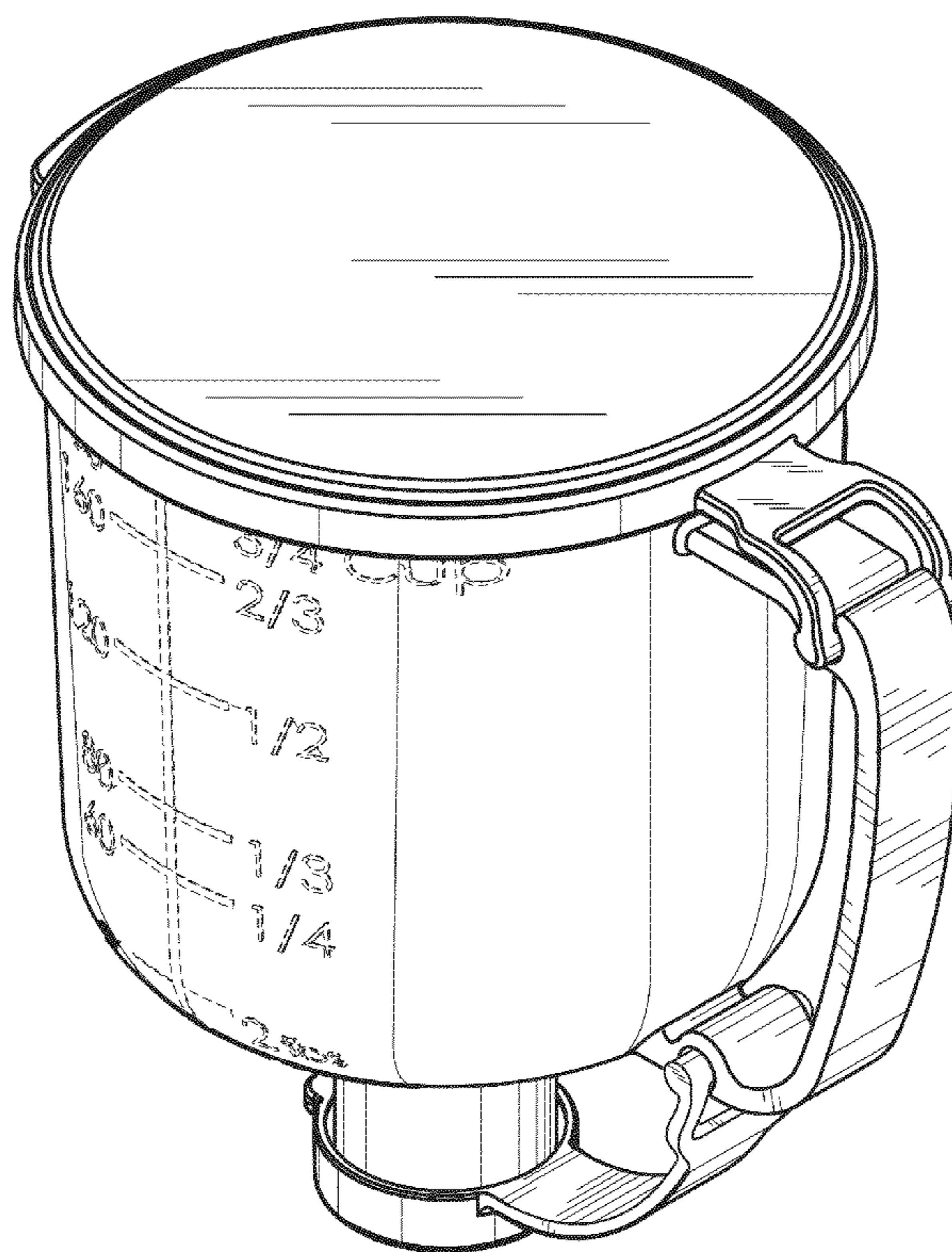
(57) **CLAIM**

The ornamental design for a funnel, as shown and described.

DESCRIPTION

FIG. 1 is a perspective view of the funnel showing my new design;
FIG. 2 is a front side view of the funnel;
FIG. 3 is a back side view of the funnel;
FIG. 4 is a right side view of the funnel;
FIG. 5 is a left side view of the funnel;
FIG. 6 is a top view of the funnel; and,
FIG. 7 is a bottom view of the funnel.
The broken lines shown in the drawing figures are for illustrative purposes only and form no part of the claimed design.

1 Claim, 4 Drawing Sheets



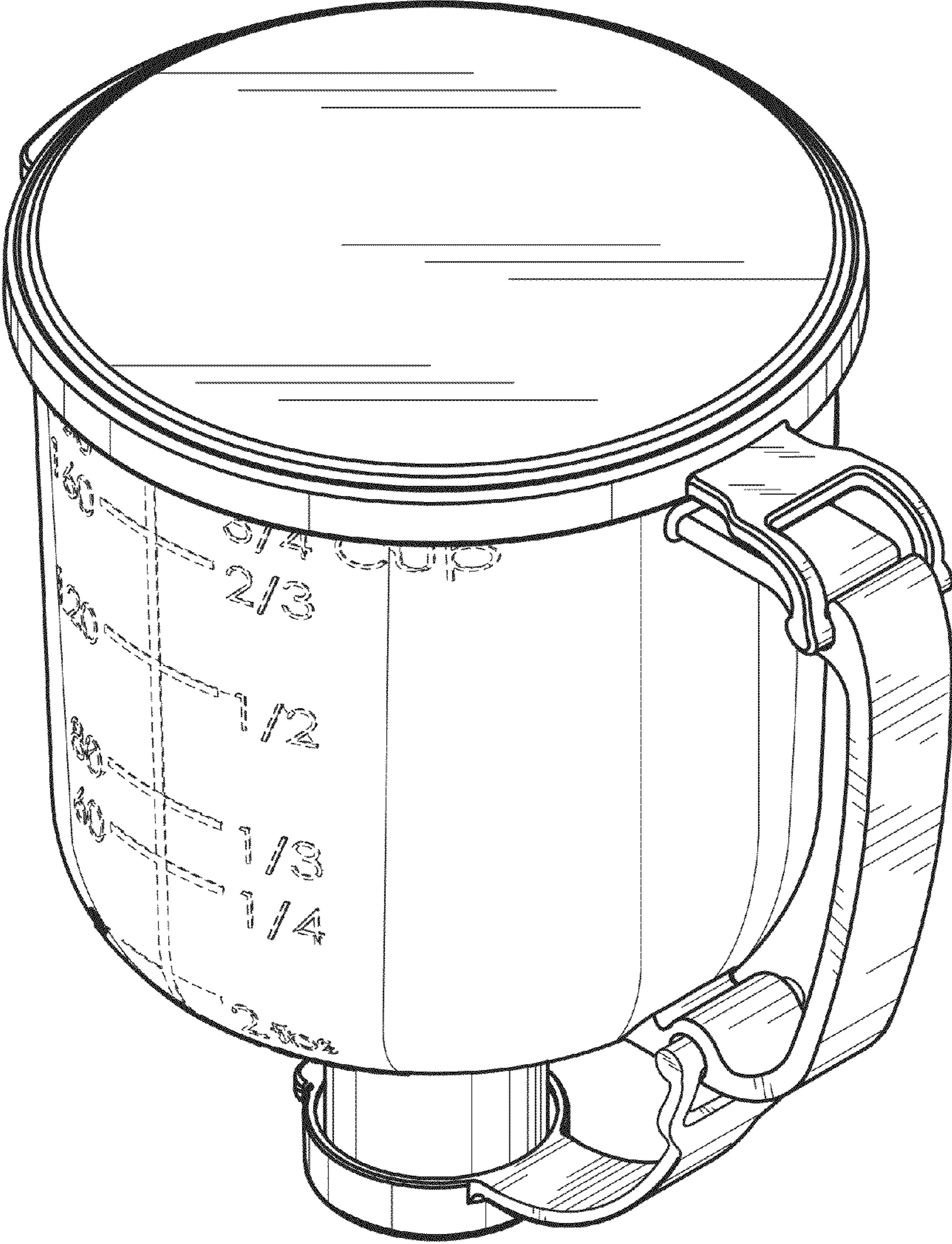


Fig. 1

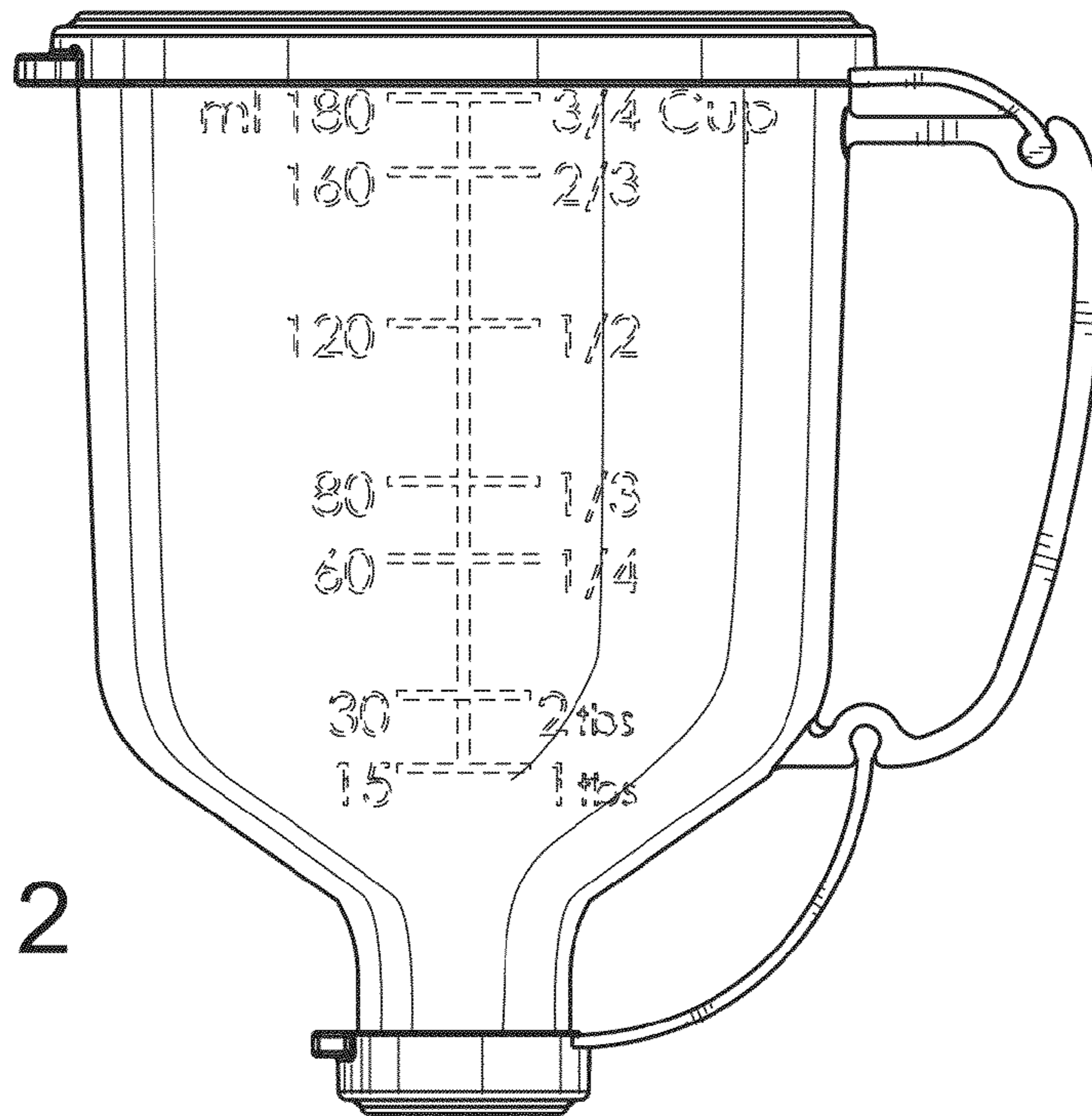


Fig. 2

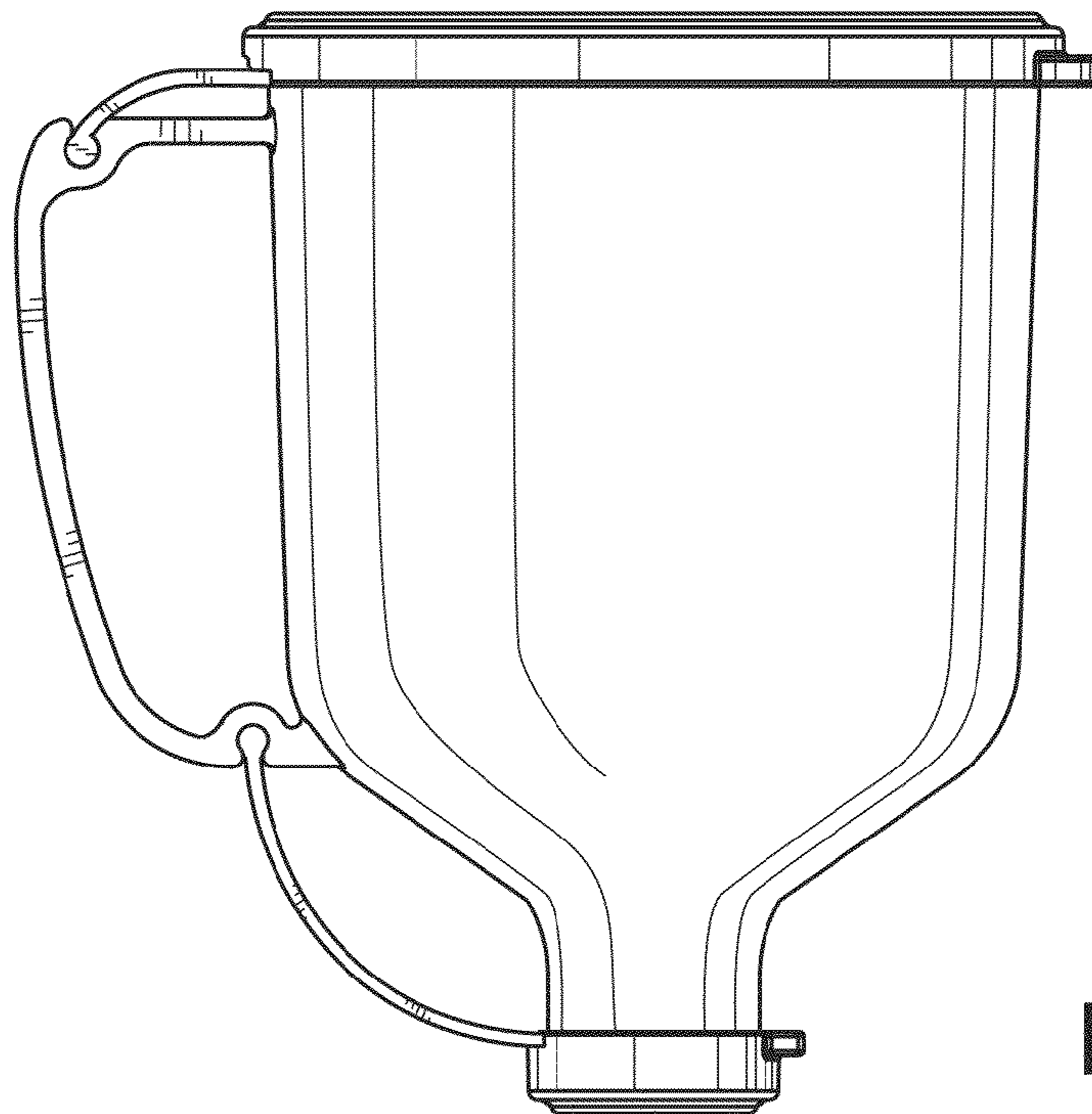


Fig. 3

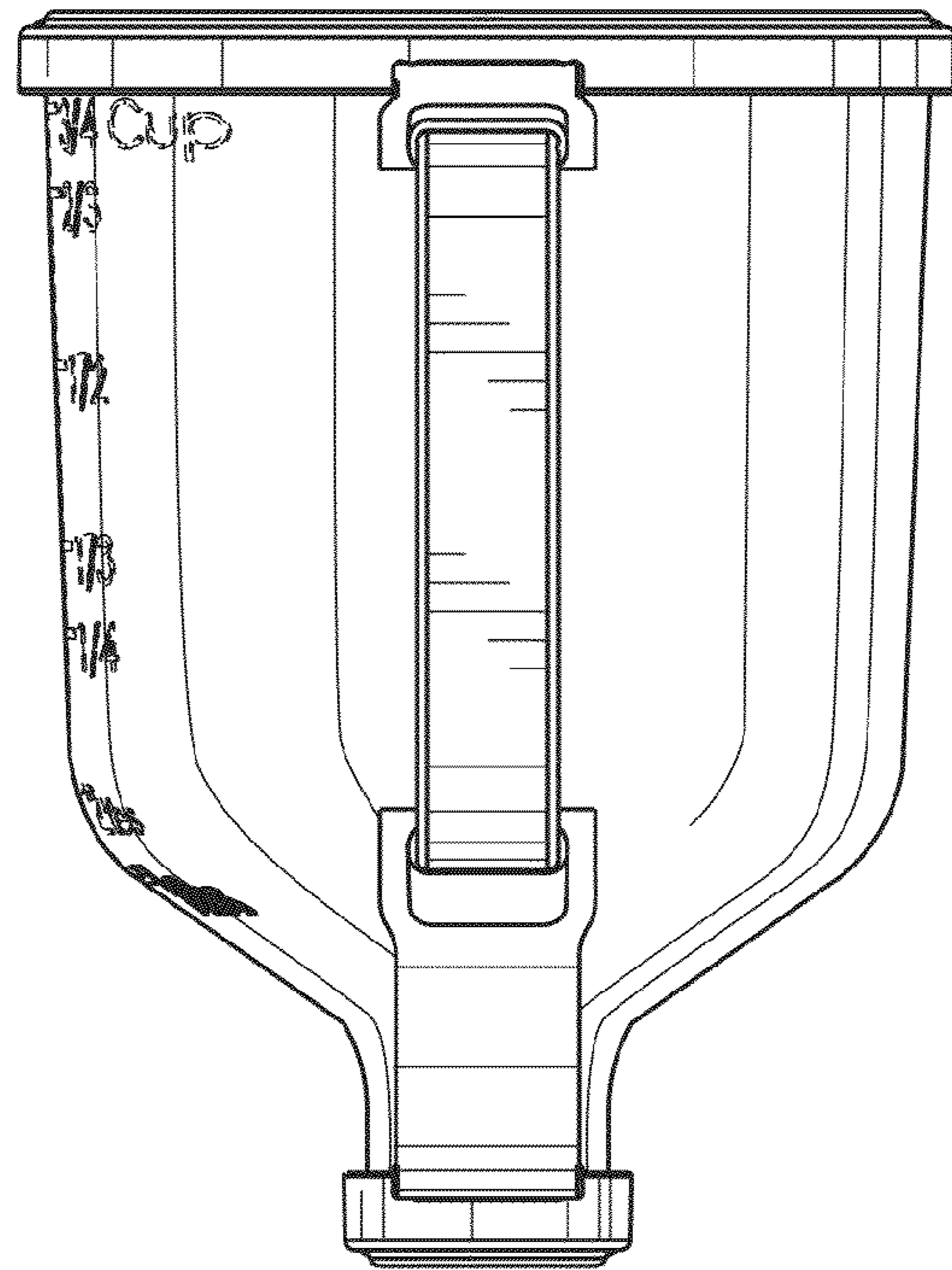


Fig. 4

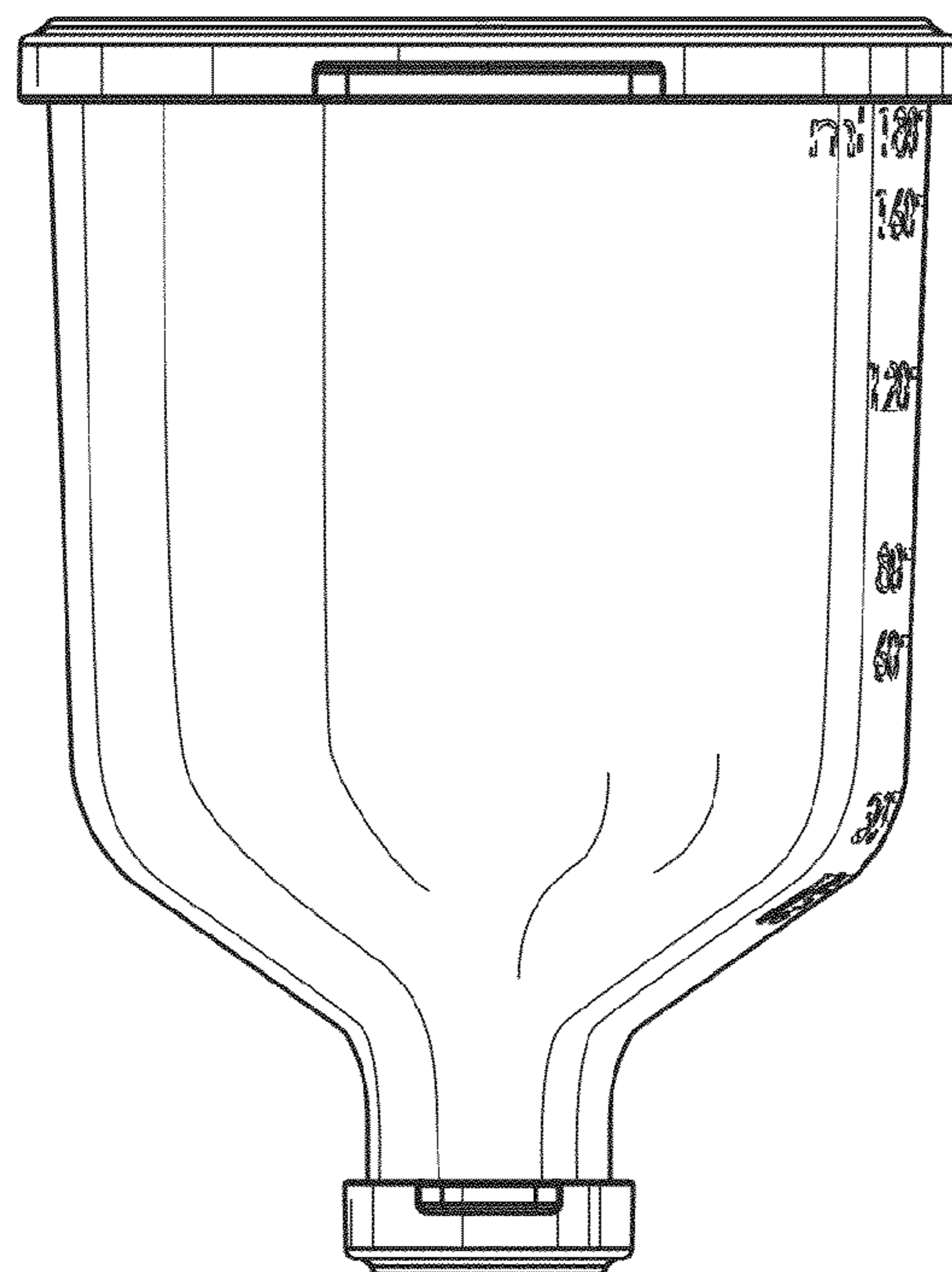


Fig. 5

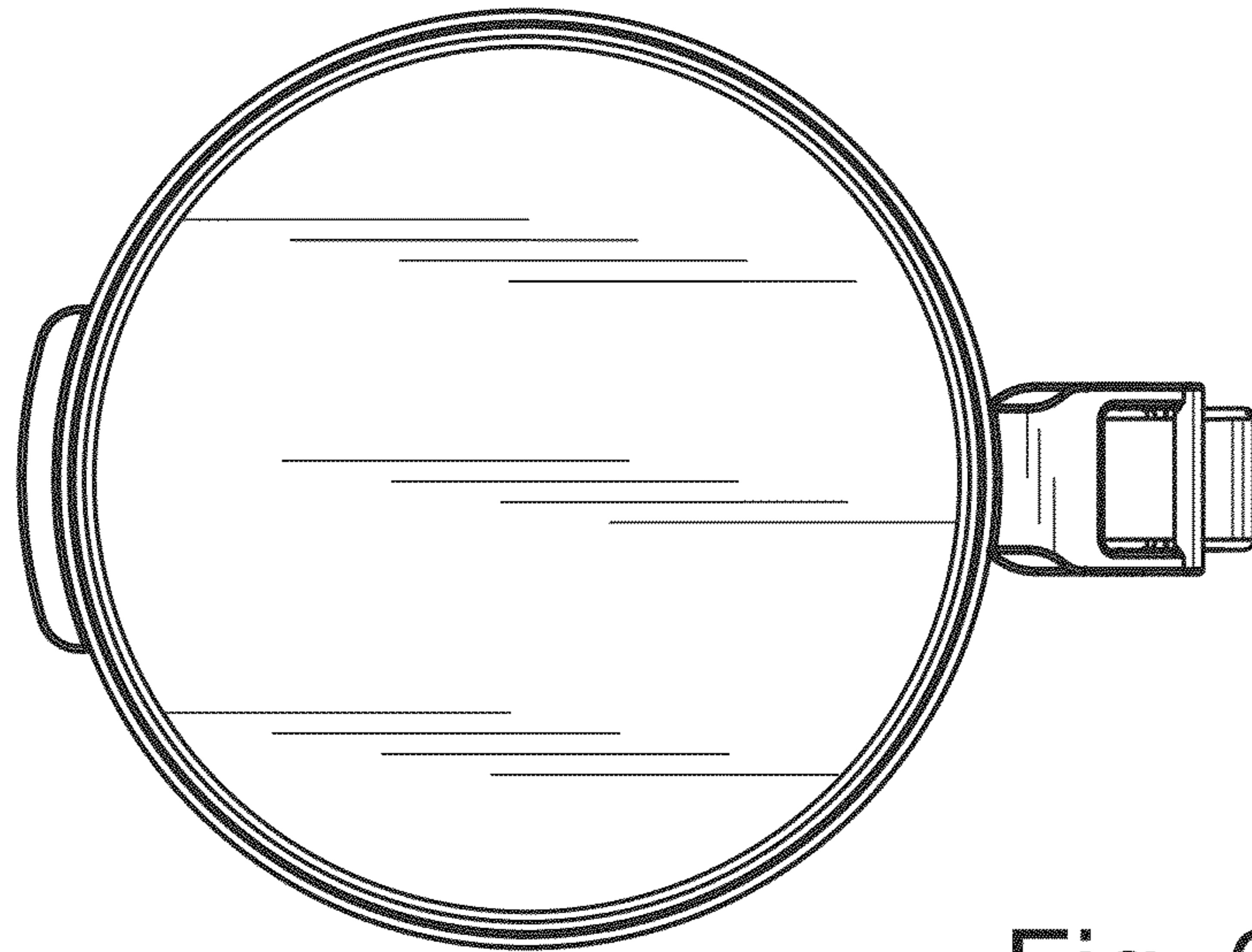


Fig. 6

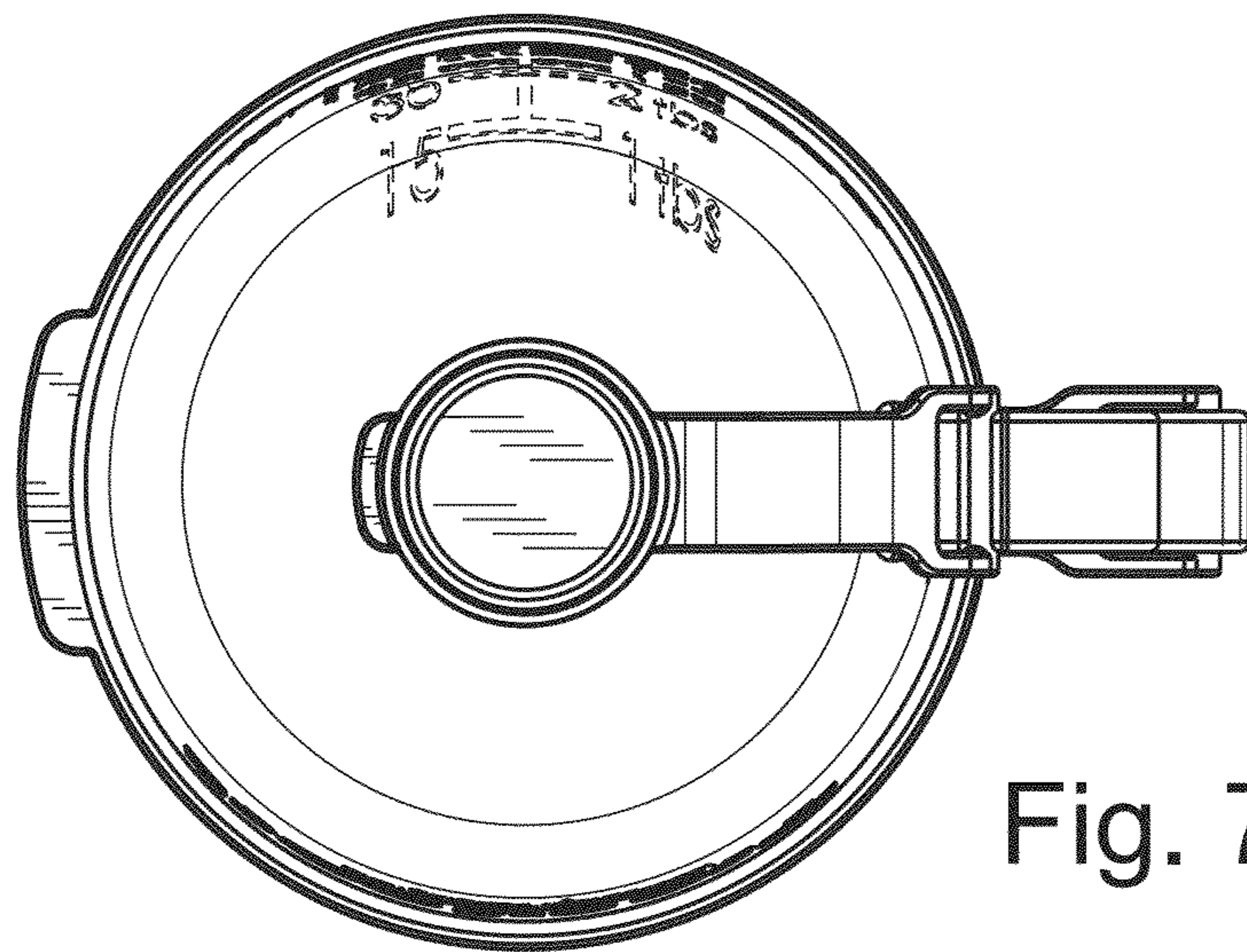


Fig. 7