



US00D725972S

(12) **United States Design Patent**  
**Hong**

(10) **Patent No.:** **US D725,972 S**  
(45) **Date of Patent:** **\*\* Apr. 7, 2015**

(54) **PORTABLE CONTAINER FOR STORING FOOD**

D666,461 S \* 9/2012 Siegel ..... D7/629  
D674,666 S \* 1/2013 Pallotto ..... D7/629  
D695,576 S \* 12/2013 Roehrig et al. .... D7/630

(71) Applicant: **Huey Erl Chyang Enterprise Ltd.,**  
Taipei (TW)

\* cited by examiner

(72) Inventor: **Park Hong,** Taipei (TW)

*Primary Examiner* — Terry Wallace

(73) Assignee: **Huey Erl Chyang Enterprise Ltd.,**  
Taipei (TW)

(74) *Attorney, Agent, or Firm* — Li & Cai Intellectual Property (USA) Office

(\*\*) Term: **14 Years**

(57) **CLAIM**

The ornamental design for a “portable container for storing food,” as shown and described.

(21) Appl. No.: **29/471,694**

(22) Filed: **Nov. 4, 2013**

**DESCRIPTION**

(51) **LOC (10) Cl.** ..... **07-07**

(52) **U.S. Cl.**  
USPC ..... **D7/629**

(58) **Field of Classification Search**  
USPC ..... D7/602, 629, 630, 354, 356, 357;  
D9/415–432; 220/780–806, 574–575,  
220/669–673, 4.21–4.27, 656–659;  
206/467, 505, 521.1, 541, 564, 315,  
206/556, 326, 385  
See application file for complete search history.

FIG. 1 is a perspective view of a “portable container for storing food” showing my new design;  
FIG. 2 is a front view thereof;  
FIG. 3 is a rear view thereof;  
FIG. 4 is a left side view thereof;  
FIG. 5 is a right side view thereof;  
FIG. 6 is a top view thereof;  
FIG. 7 is a bottom view thereof;  
FIG. 8 is a cross sectional view taken along line 8-8 of FIG. 6;  
and,  
FIG. 9 is a perspective view showing the practical usage thereof.

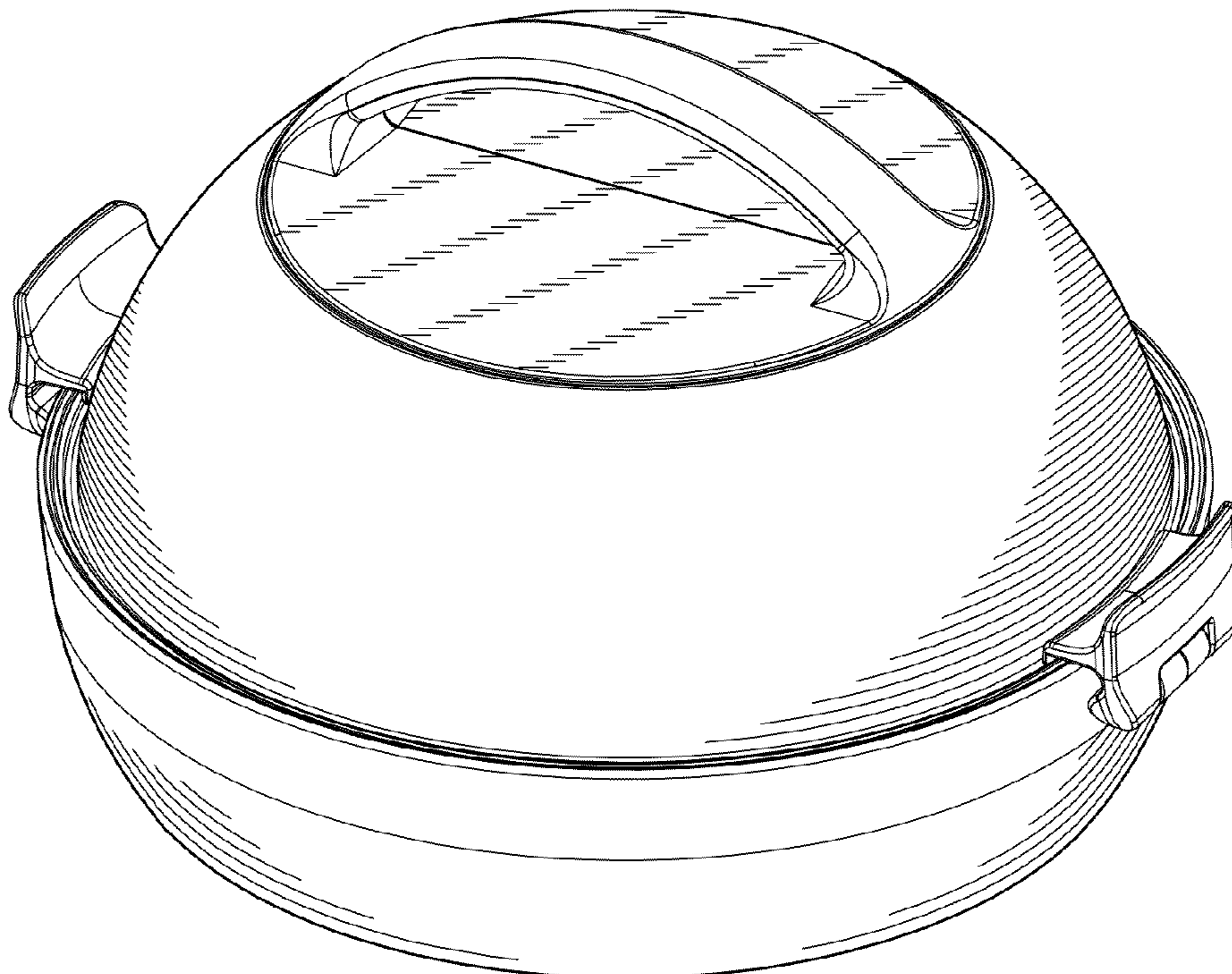
The broken lines depict portions of the portable container for storing food which form no part of the claimed design.

(56) **References Cited**

**U.S. PATENT DOCUMENTS**

D657,204 S \* 4/2012 Seehoff et al. .... D7/629  
D666,460 S \* 9/2012 Kolano ..... D7/628

**1 Claim, 9 Drawing Sheets**



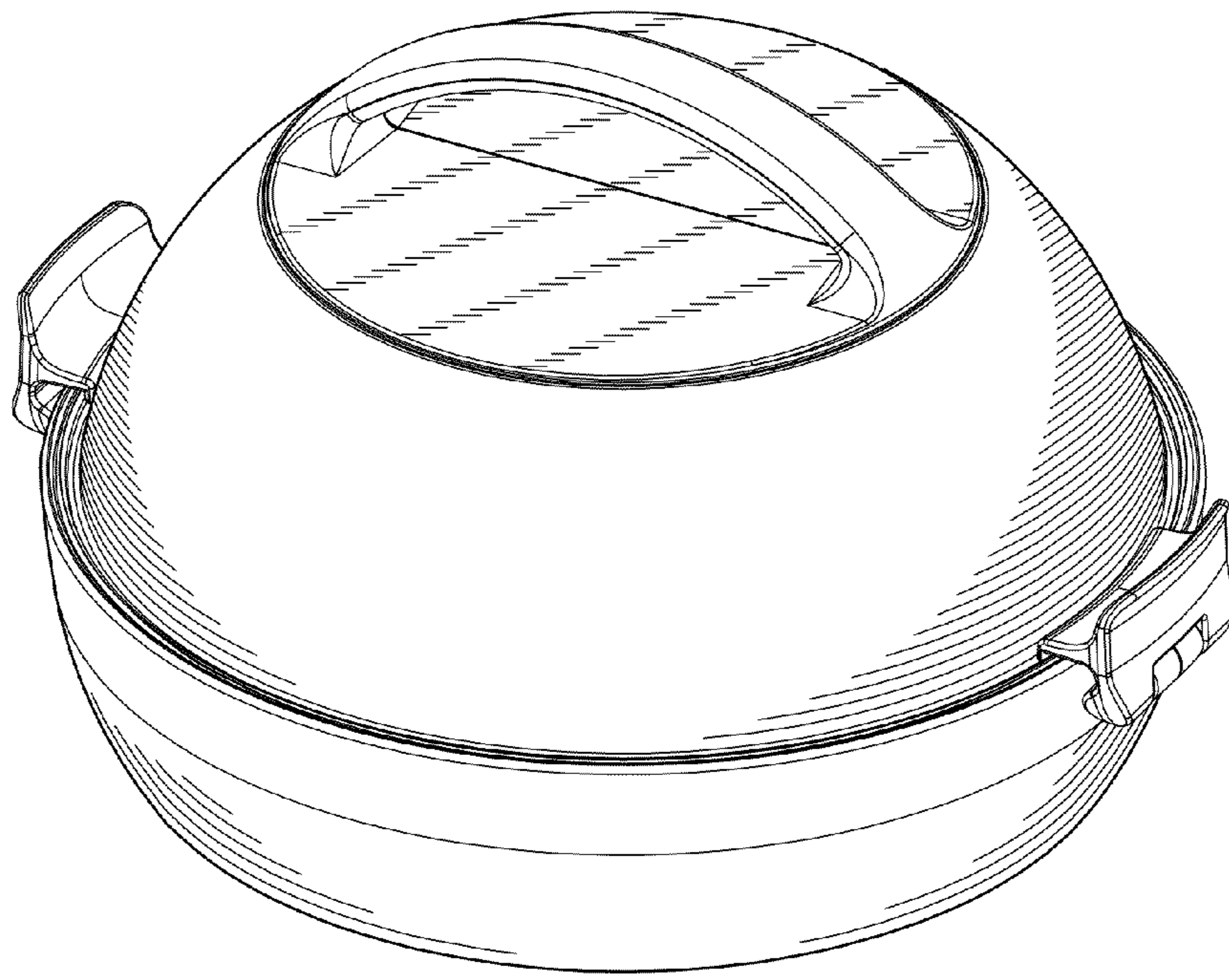


FIG.1

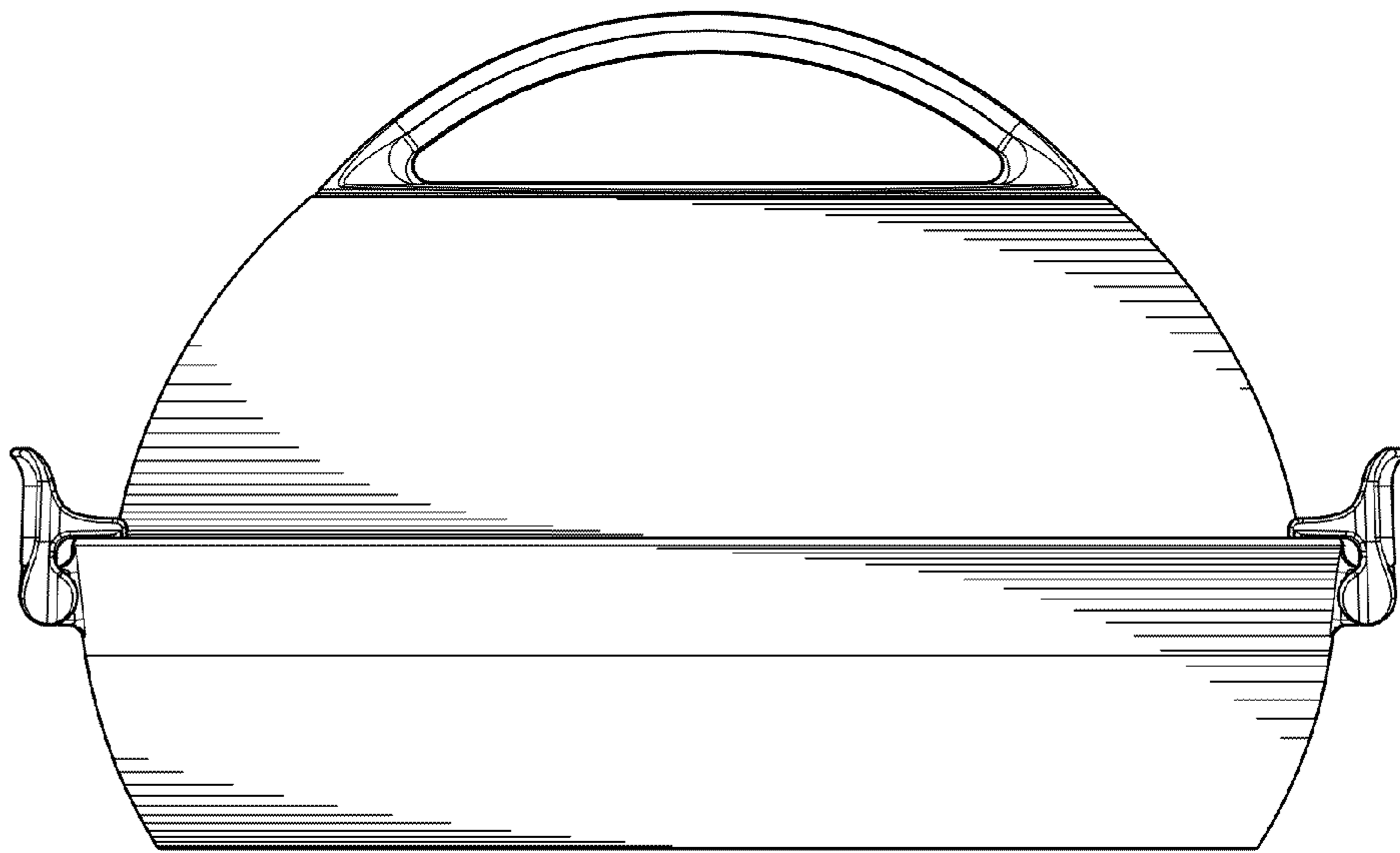


FIG.2

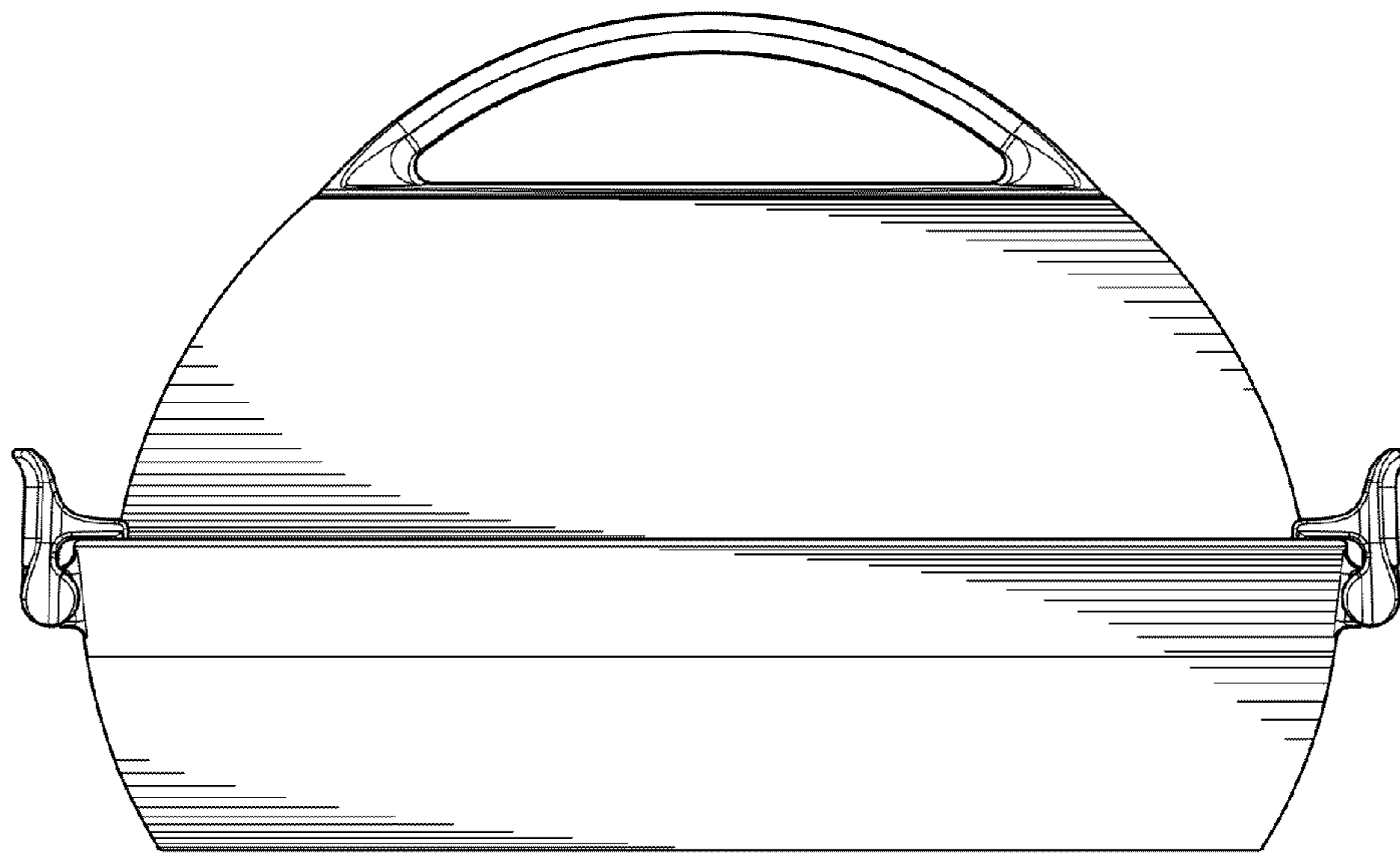


FIG.3

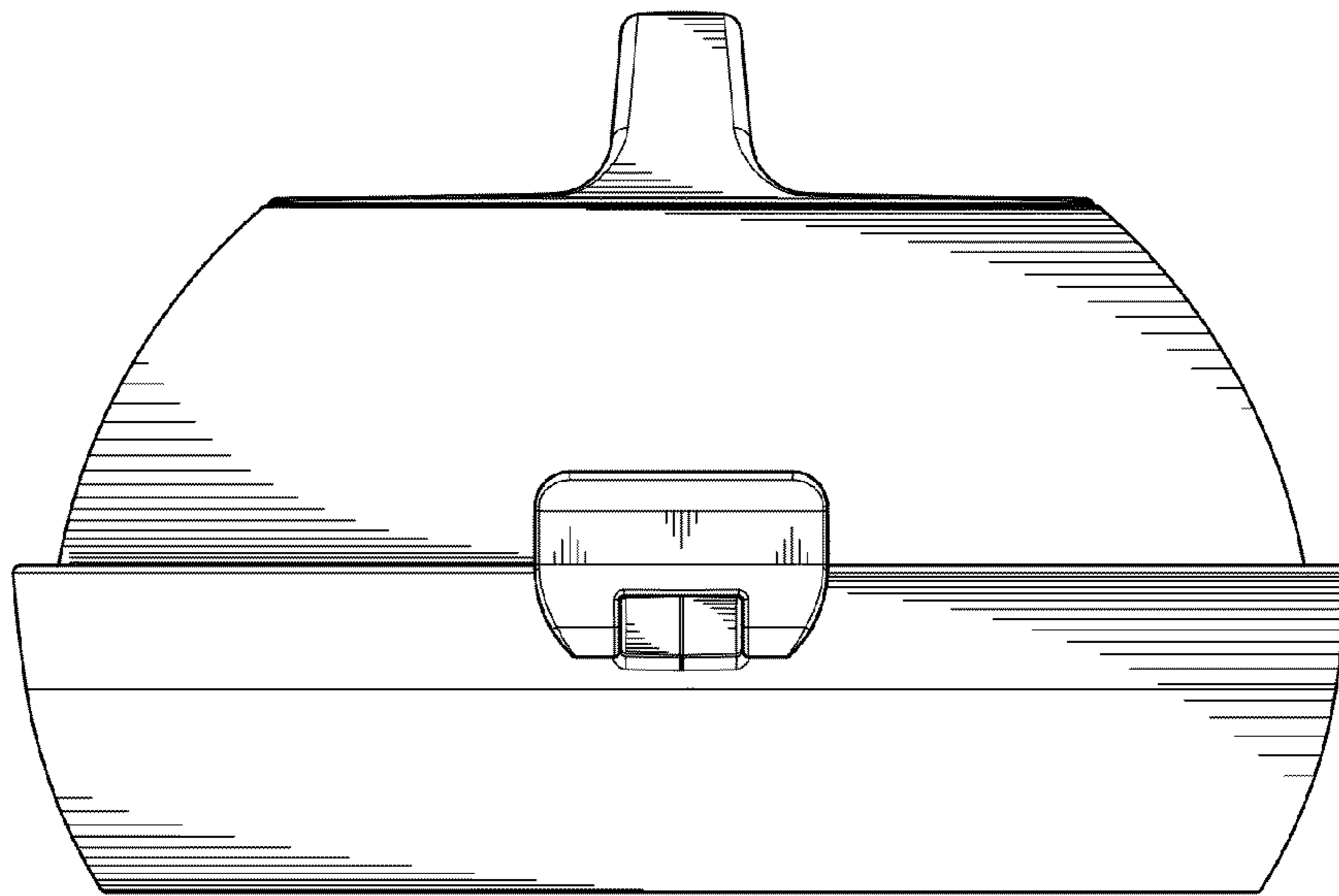


FIG.4

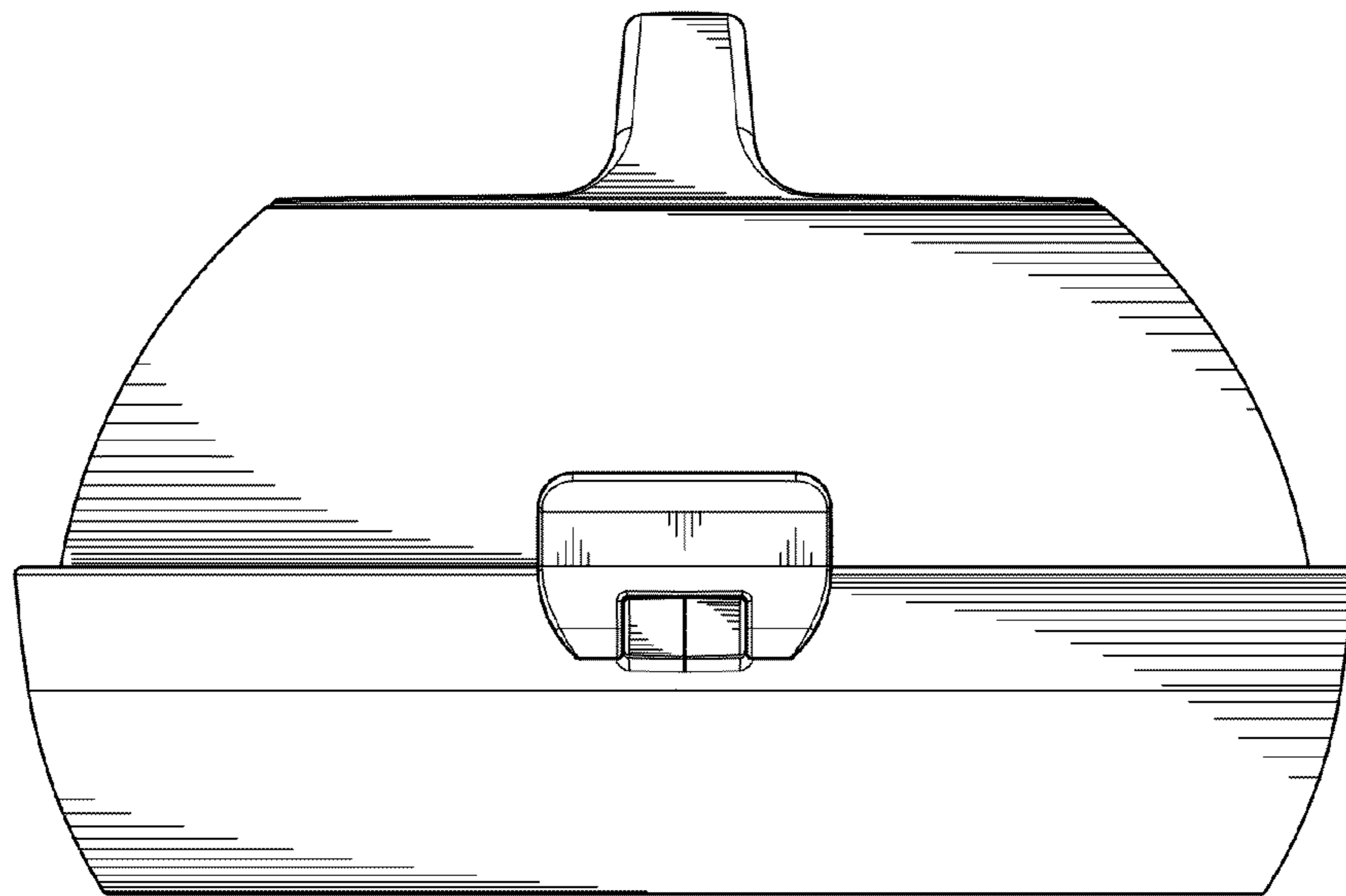


FIG.5

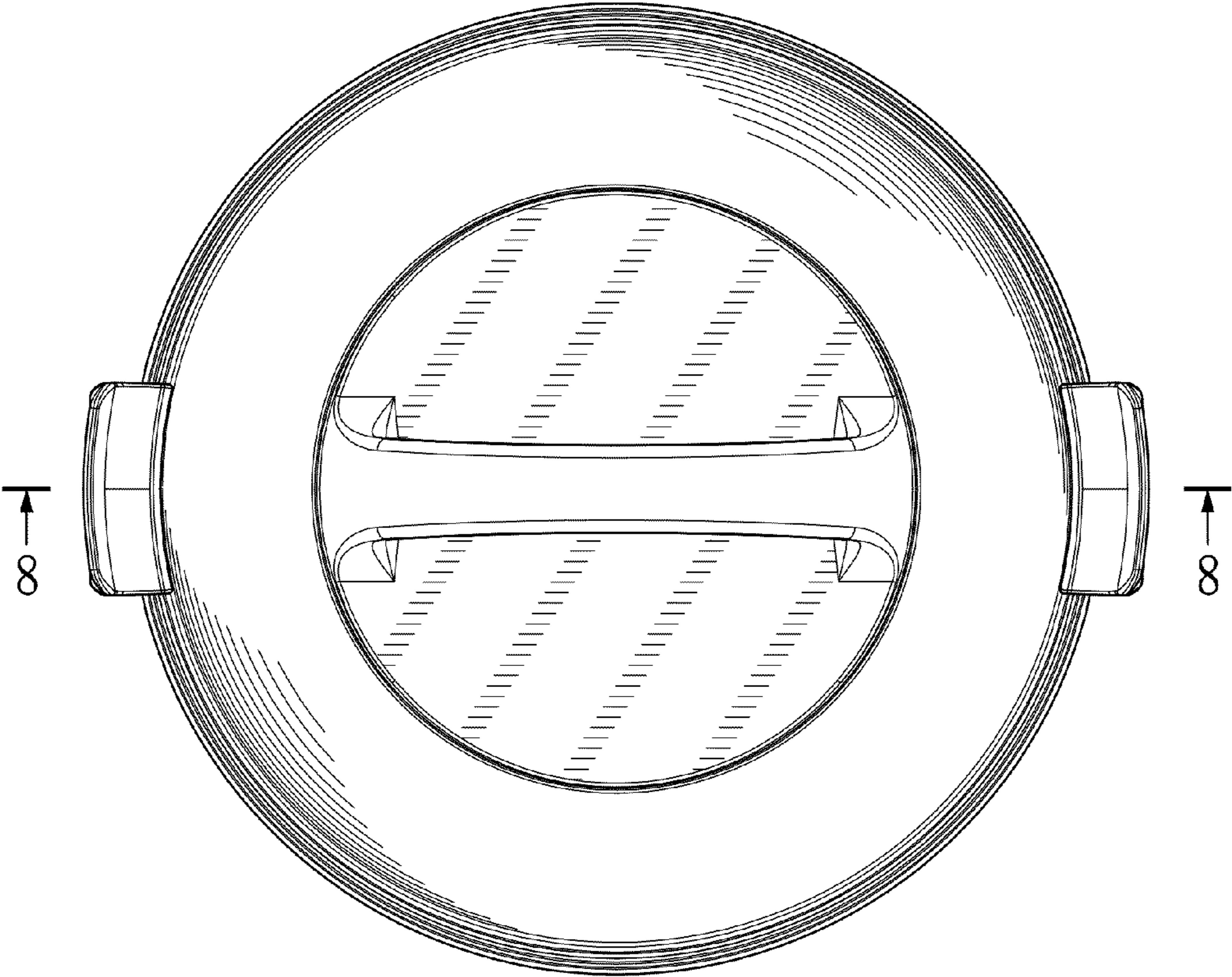


FIG.6

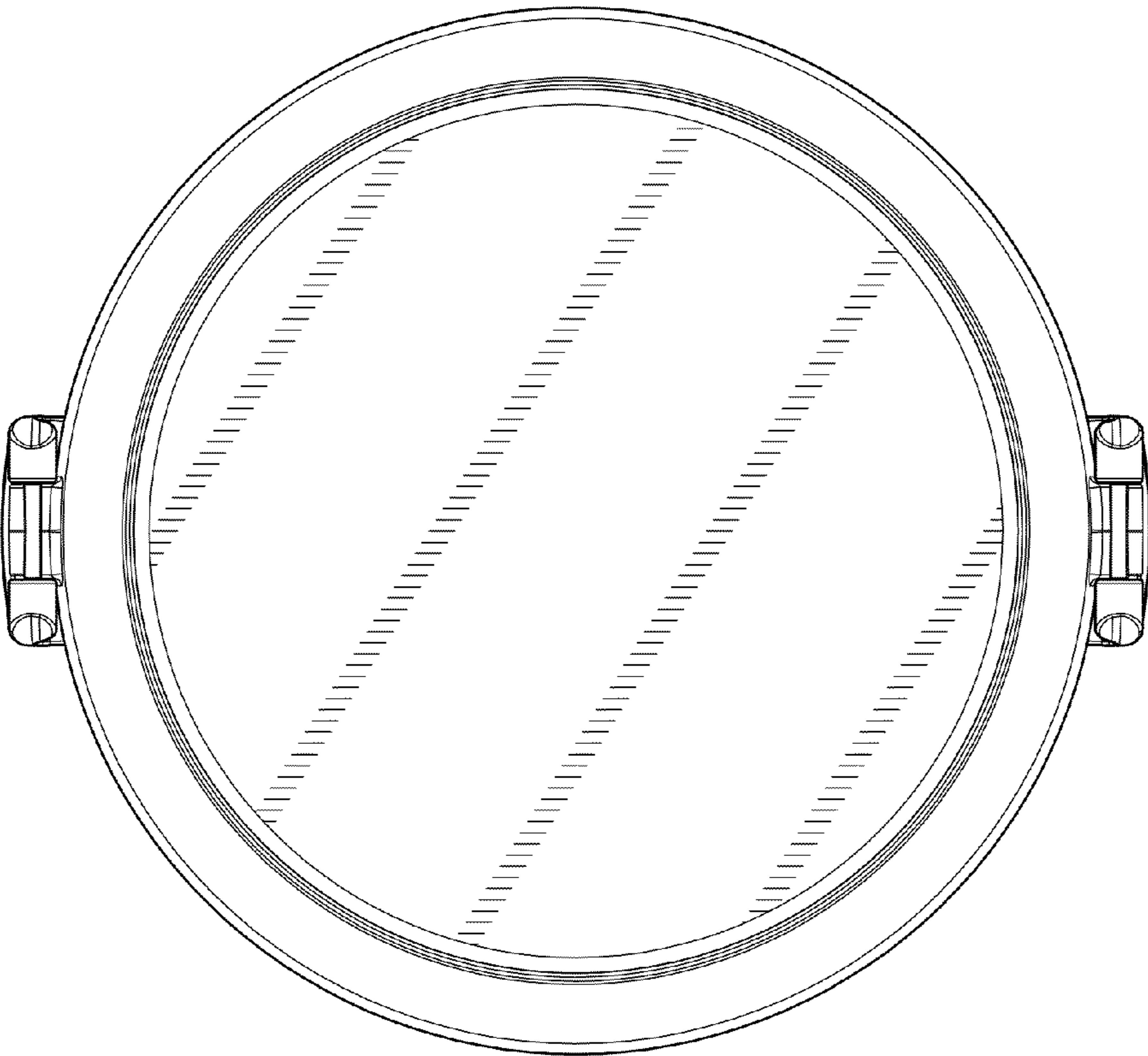


FIG.7



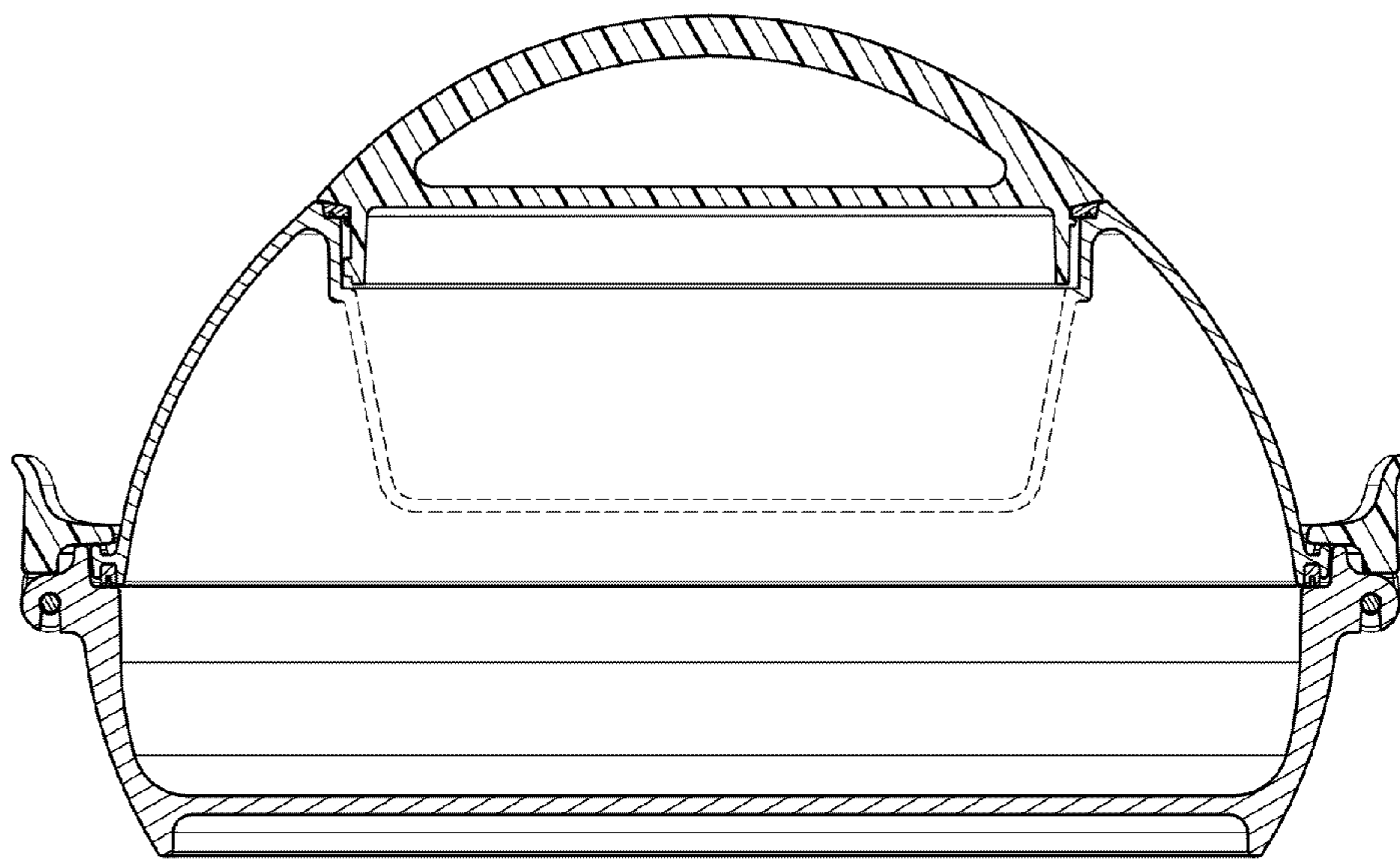


FIG.8

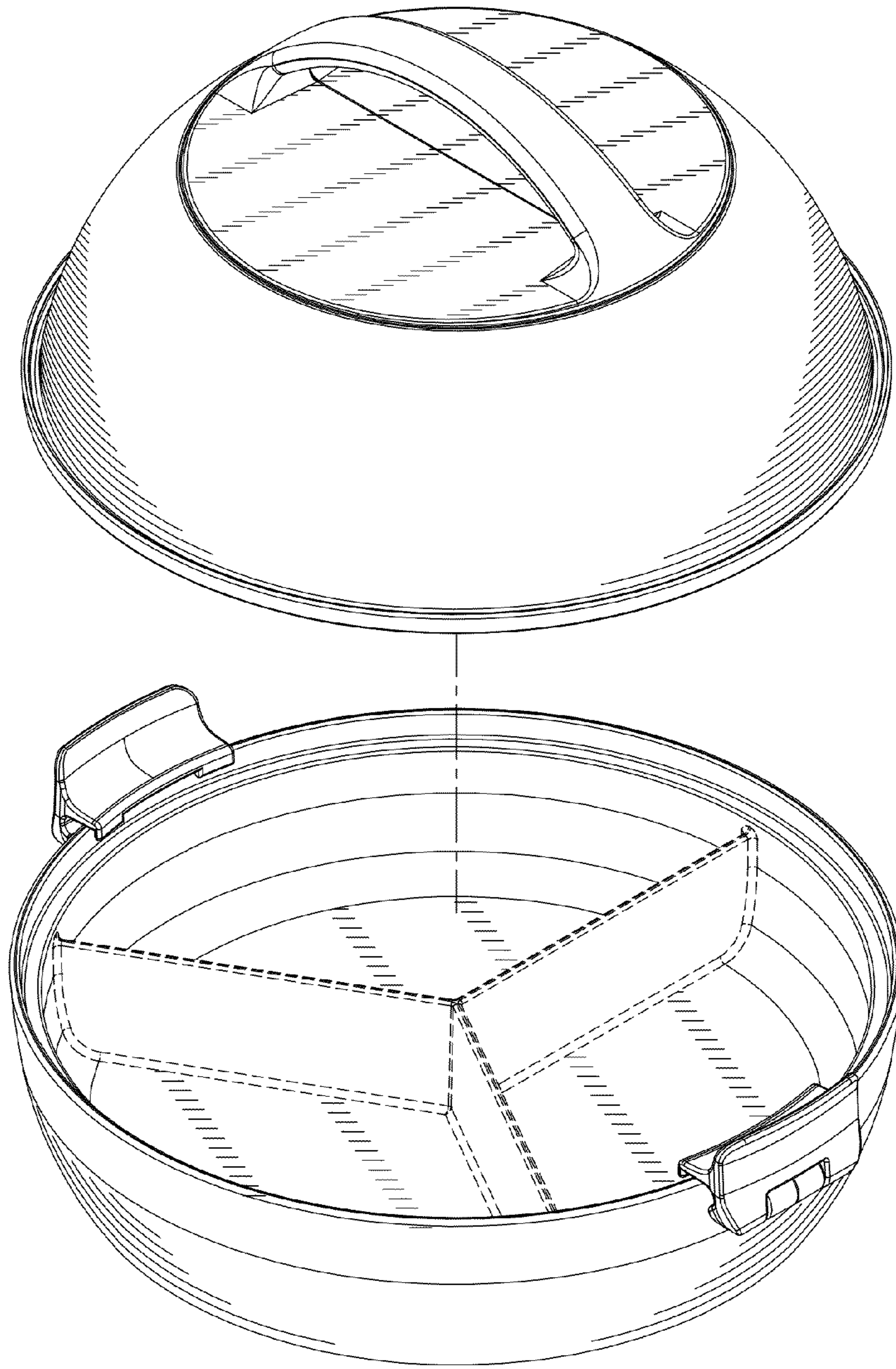


FIG.9