



US00D725971S

(12) **United States Design Patent**  
**Farhat**

(10) **Patent No.:** **US D725,971 S**

(45) **Date of Patent:** **\*\* Apr. 7, 2015**

(54) **DISPOSABLE CUP HOLDER**

(71) Applicant: **Houssen Farhat**, Dearborn Heights, MI  
(US)

(72) Inventor: **Houssen Farhat**, Dearborn Heights, MI  
(US)

(\*\*) Term: **14 Years**

(21) Appl. No.: **29/481,464**

(22) Filed: **Feb. 6, 2014**

(51) **LOC (10) CI.** ..... **07-06**

(52) **U.S. CI.**  
USPC ..... **D7/622**

(58) **Field of Classification Search**  
CPC ..... A45F 5/02; A45F 2200/0583  
USPC ..... D7/619.1-625, 701-708; 248/311.2,  
248/309.1, 312, 145.6; 220/737-741,  
220/710.5, 752-758

See application file for complete search history.

(56) **References Cited**

**U.S. PATENT DOCUMENTS**

D455,613 S *	4/2002	Bruinsma et al.	.....	D7/622
D474,944 S *	5/2003	Cronk et al.	.....	D7/620
D489,577 S *	5/2004	Giampavolo	.....	D7/620
D515,879 S *	2/2006	Gomes et al.	.....	D7/620

D559,043 S *	1/2008	Peota et al.	.....	D7/620
8,690,166 B2 *	4/2014	Peota et al.	.....	280/33.992
2009/0008525 A1 *	1/2009	Chekroune	.....	248/312

\* cited by examiner

*Primary Examiner* — Terry Wallace

(74) *Attorney, Agent, or Firm* — John R. Benefiel

(57) **CLAIM**

The ornamental design for a disposable cup holder, as shown and described.

**DESCRIPTION**

FIG. 1 is a pictorial view of a disposable cup holder according to the present invention, with a disposable cup and the hand of a user depicted in broken lines, not forming a part of the present invention.

FIG. 2 is a front view of the disposable cup holder shown in Figure

FIG. 3 is a plan view of the disposable cup holder shown in FIGS. 1 and 2.

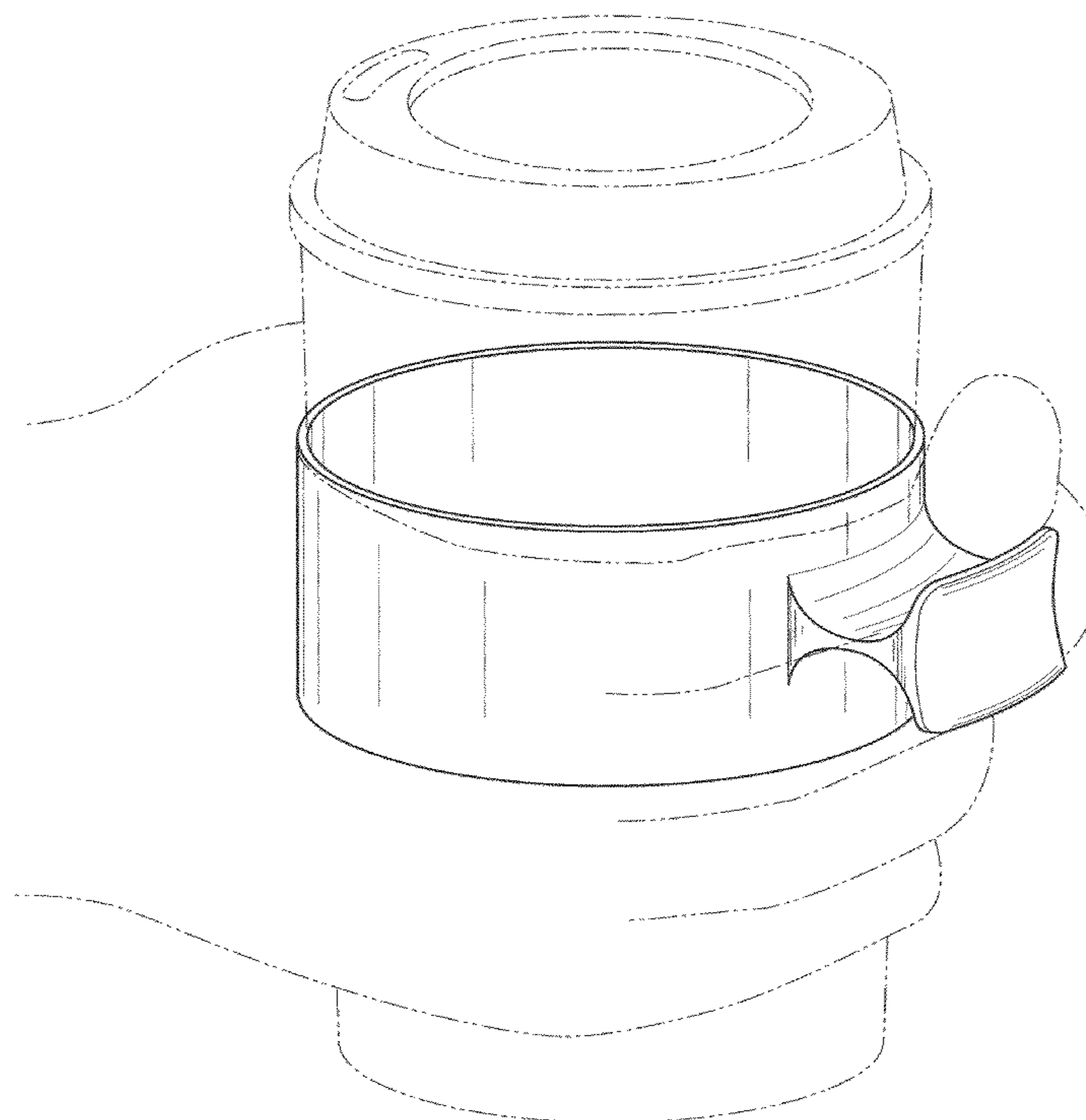
FIG. 4 is a right side view of the disposable cup holder shown in FIGS. 1-3.

FIG. 5 is a rear view of the disposable cup holder shown in FIGS. 1-4.

FIG. 6 is a left side view of the disposable cup holder shown in FIGS. 1-5; and,

FIG. 7 is a bottom view of the disposable cup holder shown in FIGS. 1-6.

**1 Claim, 3 Drawing Sheets**



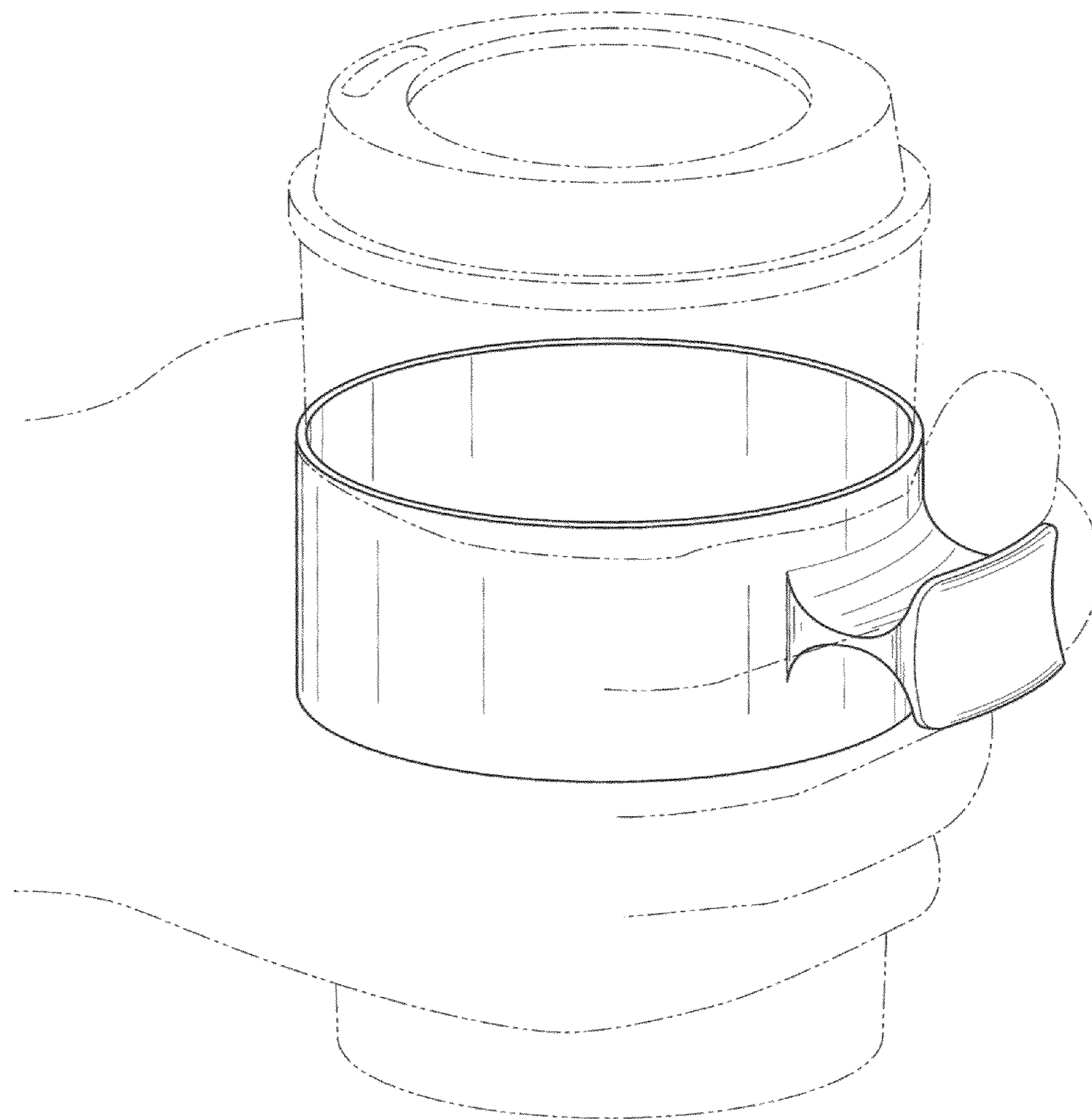
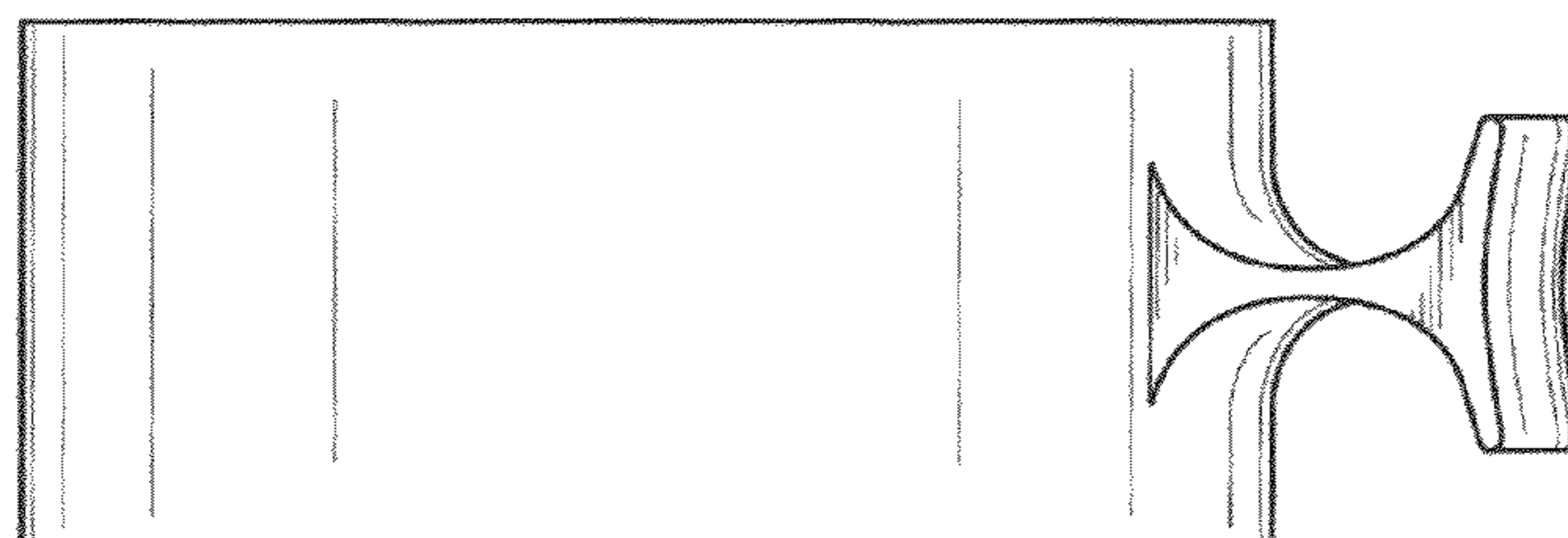
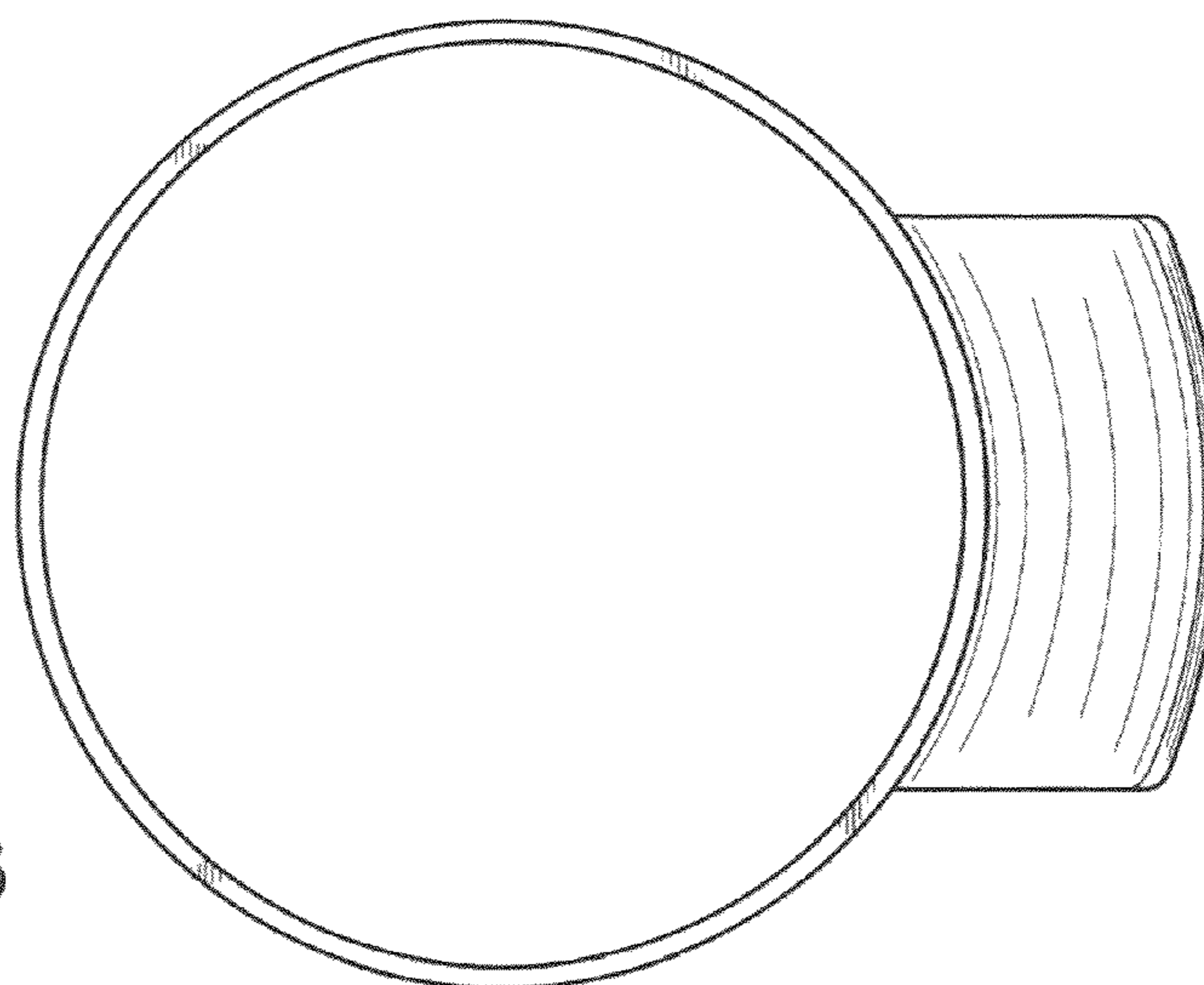


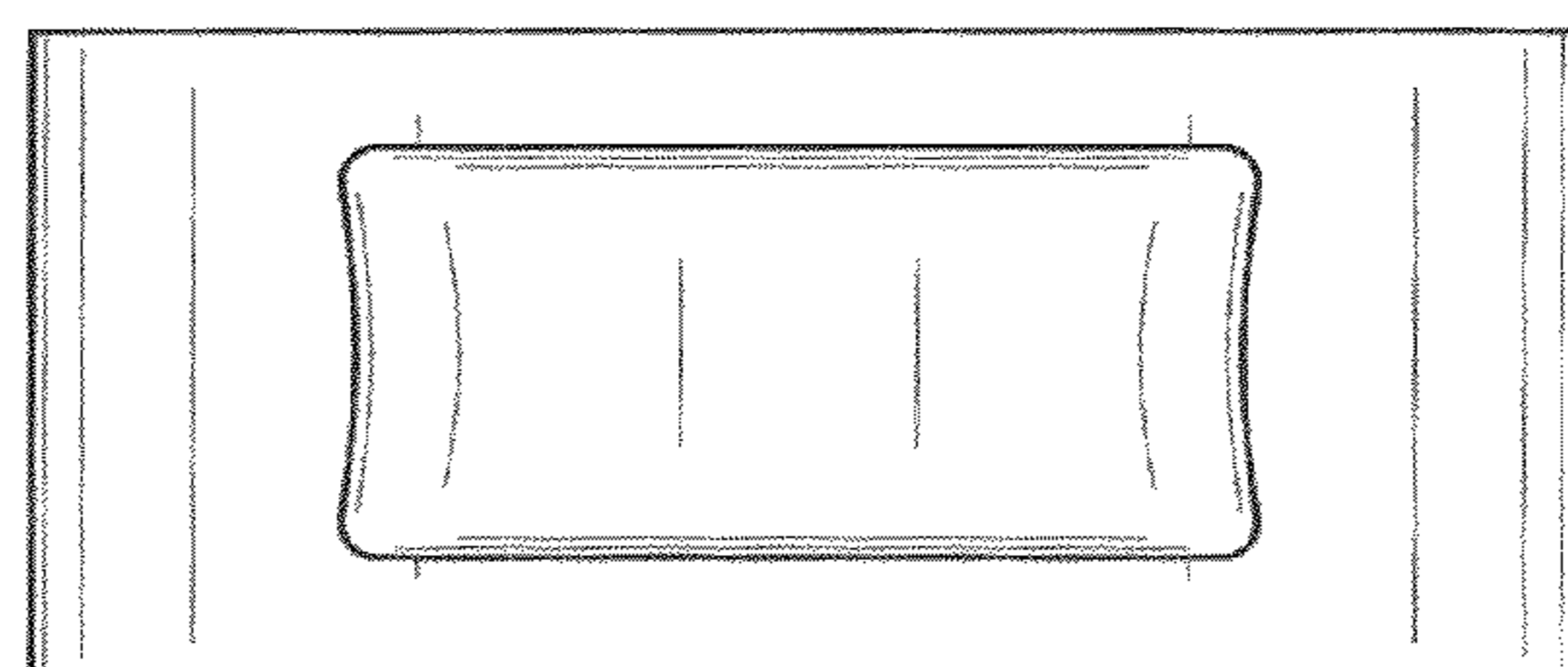
FIG. 1



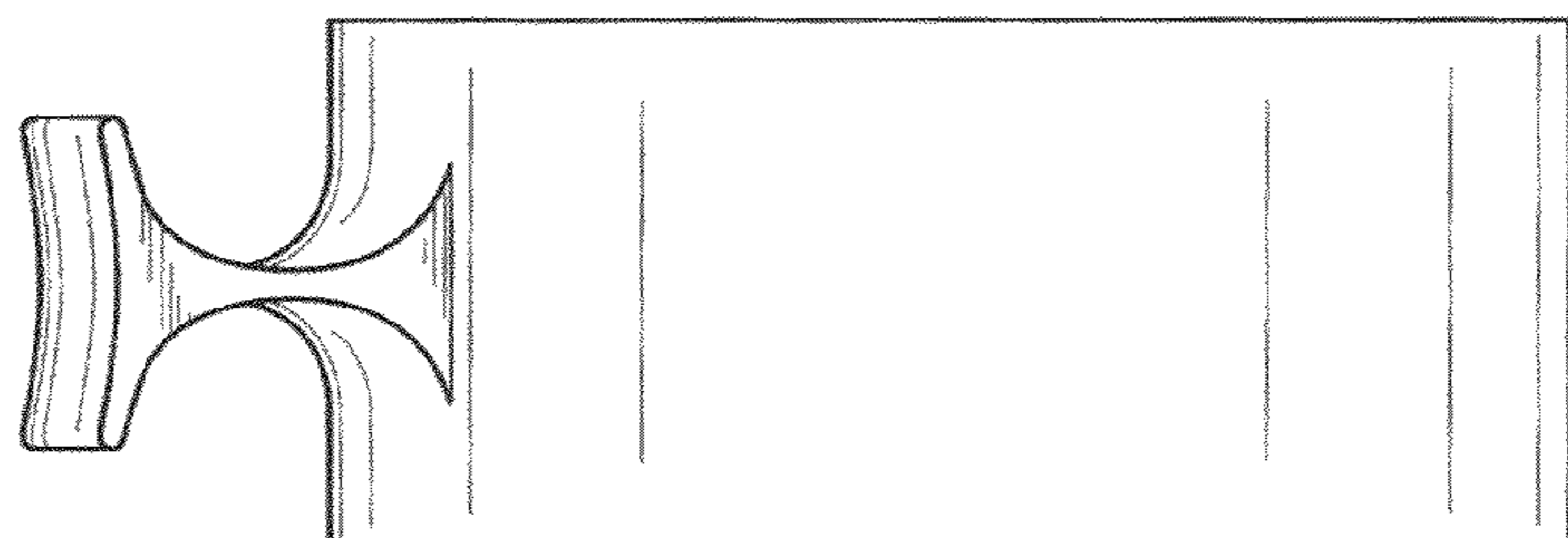
**FIG. 2**



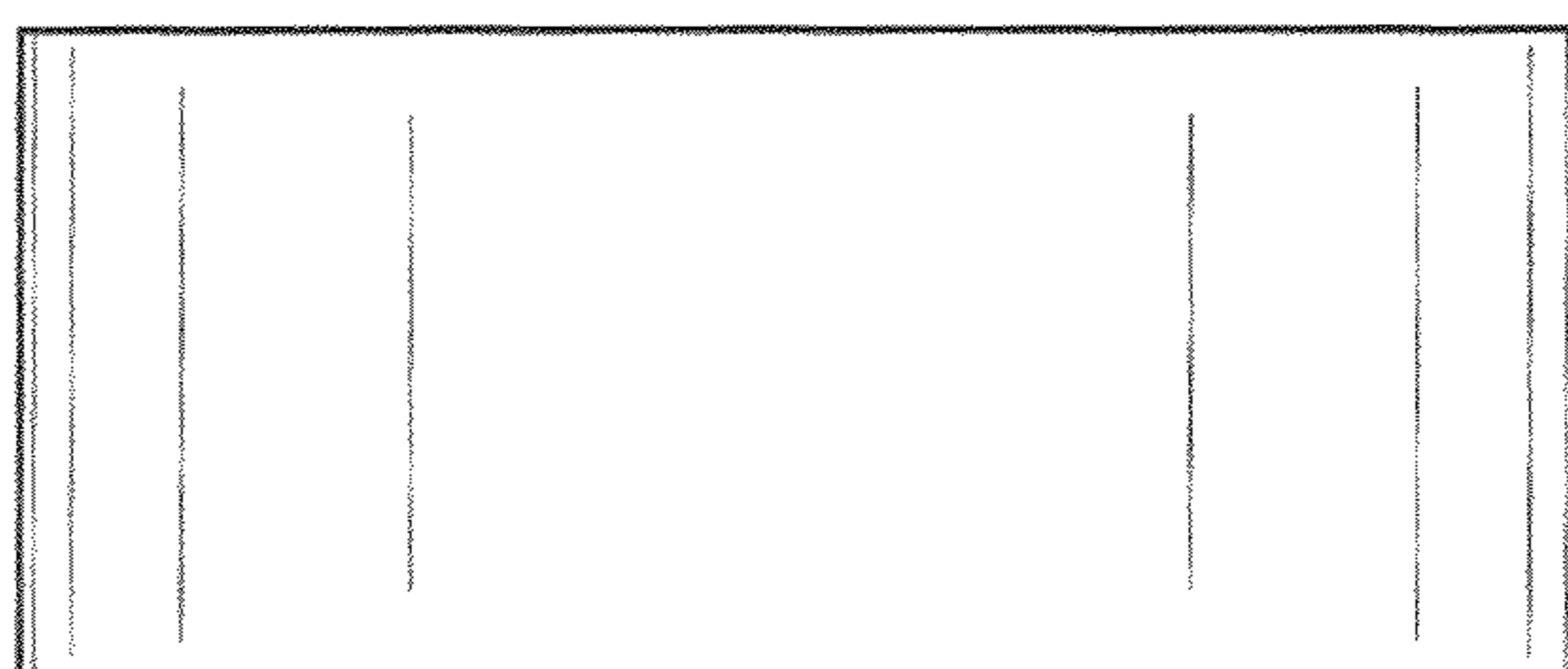
**FIG. 3**



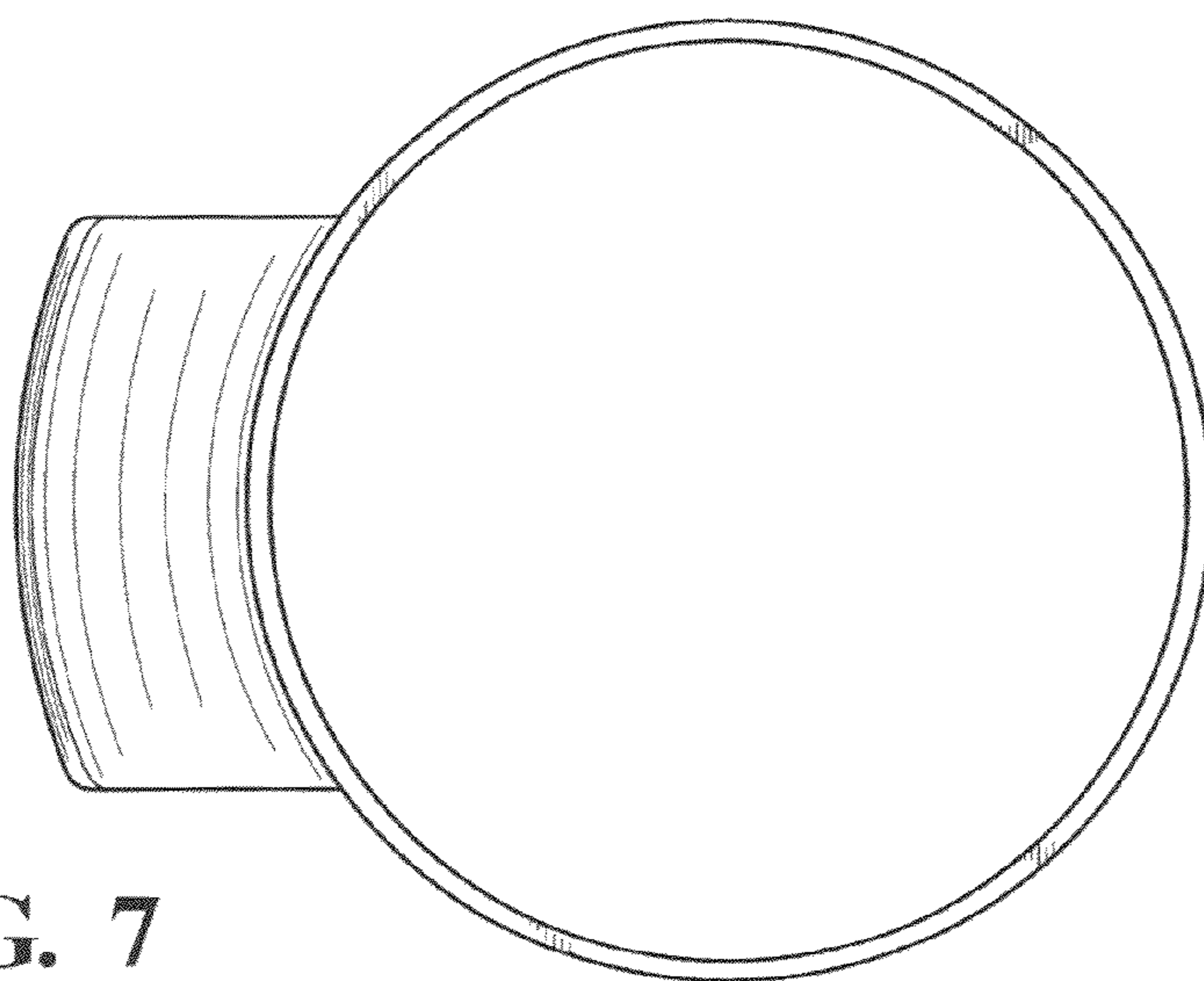
**FIG. 4**



**FIG. 5**



**FIG. 6**



**FIG. 7**