



US00D725966S

(12) **United States Design Patent**  
**Boroski et al.**

(10) **Patent No.:** **US D725,966 S**  
(45) **Date of Patent:** **\*\* Apr. 7, 2015**

(54) **COMBINED DRINK BOTTLE AND LID**

FOREIGN PATENT DOCUMENTS

(71) Applicants: **Dwayne Boroski**, Lake in the Hills, IL (US); **Marvin Lane**, Round Lake Beach, IL (US)

DE 4117220 5/1992  
DE 298 20 698 2/1999

(Continued)

(72) Inventors: **Dwayne Boroski**, Lake in the Hills, IL (US); **Marvin Lane**, Round Lake Beach, IL (US)

OTHER PUBLICATIONS

Author unknown, Contigo—Autospout Addison Water Bottle—24 oz. print out of web page at <http://www.gocontigo.com/autospout-addison-water-bottle.html>, printed Jun. 20, 2012, 2 pages.

(Continued)

(73) Assignee: **Thermos L.L.C.**, Schaumburg, IL (US)

(\*\*) Term: **14 Years**

*Primary Examiner* — Susan Bennett Hattan

*Assistant Examiner* — Brett Miller

(21) Appl. No.: **29/455,351**

(74) *Attorney, Agent, or Firm* — Polsinelli PC

(22) Filed: **May 20, 2013**

(51) **LOC (10) Cl.** ..... **07-01**

(57) **CLAIM**

(52) **U.S. Cl.**

The ornamental design of the combined drink bottle and lid, as shown and described.

USPC ..... **D7/511**

(58) **Field of Classification Search**

**DESCRIPTION**

CPC ..... A47G 19/22–19/2277  
USPC ..... D7/510, 511, 523, 526, 532, 509, 608,  
D7/392.1, 396.2; D11/152–154; 220/703,  
220/705, 710–711, 713–715, 592.16,  
220/592.17

See application file for complete search history.

FIG. 1 is a perspective view taken from the upper, front, right-hand side of the combined drink bottle and lid;  
FIG. 2 is a perspective view taken from the lower, front, left-hand side of the combined drink bottle and lid of FIG. 1;  
FIG. 3 is a front elevational view of the combined drink bottle and lid of FIG. 1;  
FIG. 4 is a side elevational view of the right side of the combined drink bottle and lid of FIG. 1;  
FIG. 5 is a back elevational view of the combined drink bottle and lid of FIG. 1;  
FIG. 6 is a side elevational view of the left side of the combined drink bottle and lid of FIG. 1;  
FIG. 7 is a top plan view of the combined drink bottle and lid of FIG. 1; and,  
FIG. 8 is a bottom plan view of the combined drink bottle and lid of FIG. 1.

The broken lines illustrate portions of the combined drink bottle and lid which form no part of the claimed design.

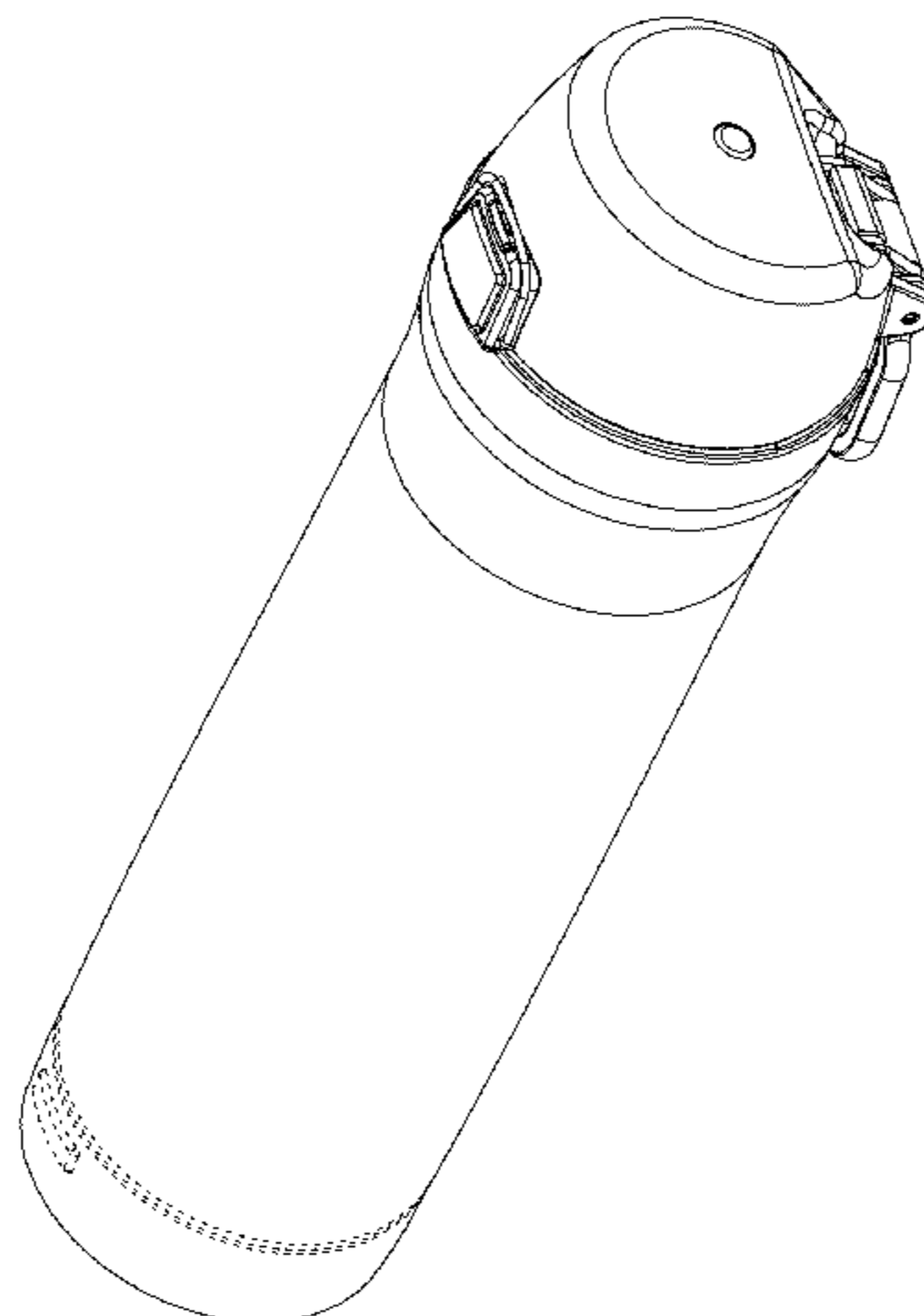
(56) **References Cited**

U.S. PATENT DOCUMENTS

523,344 A	7/1894	Hancock
1,904,091 A	4/1933	Shoop
2,153,156 A	4/1939	Pollnow
2,914,207 A	11/1959	Moore
2,948,453 A	8/1960	Drown
3,438,527 A	4/1969	Gamblin
3,757,979 A	9/1973	Berghahn
3,944,101 A	3/1976	Landen et al.
4,399,926 A	8/1983	Eidels-Dubovoy
D272,324 S	1/1984	Mumford et al.
D295,355 S	4/1988	Leung
4,742,928 A	5/1988	Braun

(Continued)

**1 Claim, 8 Drawing Sheets**



(56)

References Cited

U.S. PATENT DOCUMENTS

4,892,234 A 1/1990 Bennett  
 RE33,564 E 4/1991 Ford  
 5,203,468 A 4/1993 Hsu  
 5,213,236 A 5/1993 Brown et al.  
 5,244,113 A 9/1993 Stymiest  
 5,282,541 A 2/1994 Chen  
 5,301,845 A 4/1994 Labonte  
 5,310,081 A 5/1994 McCabe  
 5,337,918 A 8/1994 Wang  
 5,339,982 A 8/1994 Tardie  
 5,439,143 A 8/1995 Brown et al.  
 5,513,762 A 5/1996 Janani  
 5,560,513 A 10/1996 Jarrell  
 5,738,786 A 4/1998 Winnington-Ingram  
 D396,638 S 8/1998 Demarest  
 D405,654 S 2/1999 Moran  
 5,984,141 A 11/1999 Gibler  
 D426,159 S 6/2000 Briere et al.  
 6,116,458 A 9/2000 Dark  
 6,119,888 A 9/2000 Goto et al.  
 D436,862 S 1/2001 Witt et al.  
 6,253,947 B1 7/2001 Yang  
 6,273,306 B1 8/2001 Takagawa  
 6,276,560 B1 8/2001 Belcastro  
 6,279,773 B1 8/2001 Kiyota  
 D451,023 S 11/2001 Kitamura et al.  
 D451,392 S 12/2001 Kitamura et al.  
 D455,611 S 4/2002 Kitamura et al.  
 D456,218 S 4/2002 Hatsumoto  
 6,395,170 B1 5/2002 Hughes  
 6,405,638 B1 6/2002 Chen  
 6,405,885 B1 6/2002 Elliott  
 D463,280 S 9/2002 Brozell  
 6,484,895 B2 11/2002 Montgomery et al.  
 6,523,711 B1 2/2003 Hughes  
 D474,376 S 5/2003 Kitamura et al.  
 D485,132 S 1/2004 Ohno et al.  
 D492,597 S 7/2004 Norris et al.  
 6,915,961 B2 7/2005 Renz et al.  
 D514,446 S 2/2006 Choi  
 D515,921 S 2/2006 Marroncles  
 D518,335 S 4/2006 Naft et al.  
 D524,650 S 7/2006 Sitomer  
 7,073,678 B1 7/2006 Dibdin et al.  
 D528,862 S 9/2006 Li  
 D529,339 S 10/2006 Carreno et al.  
 D533,061 S 12/2006 Li et al.  
 D536,975 S 2/2007 Smith et al.  
 D538,110 S 3/2007 Kitamura et al.  
 D539,141 S 3/2007 Penfold et al.  
 D547,184 S 7/2007 Kim et al.  
 D547,607 S 7/2007 Forsman  
 D553,914 S 10/2007 Wahl  
 D555,000 S 11/2007 Bunce et al.  
 D557,076 S 12/2007 Wahl  
 D557,994 S 12/2007 Wahl  
 7,311,231 B2 12/2007 Noell et al.  
 D571,147 S 6/2008 Rohe  
 D572,981 S 7/2008 Carreno  
 7,464,637 B1 12/2008 Lin  
 D586,184 S 2/2009 Miller et al.  
 D587,533 S 3/2009 Carreno  
 D587,534 S 3/2009 Carreno  
 D587,969 S 3/2009 Gilbert  
 D588,411 S 3/2009 Watanabe  
 D589,743 S 4/2009 Pearson  
 D590,661 S 4/2009 Kitamura et al.  
 D590,667 S 4/2009 Trombly  
 D592,012 S 5/2009 Carreno  
 7,533,783 B2 5/2009 Choi et al.  
 D593,372 S 6/2009 Carreno  
 D593,811 S 6/2009 Carreno  
 D596,460 S 7/2009 Nezu

D600,071 S 9/2009 Carreno  
 D608,640 S 1/2010 Carreno  
 D609,093 S 2/2010 Wisniewski et al.  
 D609,964 S 2/2010 Lane  
 D610,402 S 2/2010 Carreno  
 D610,454 S 2/2010 Lohrman et al.  
 D614,961 S 5/2010 Thomas et al.  
 D615,412 S 5/2010 Thomas et al.  
 7,735,665 B2 6/2010 Robinson  
 D619,418 S 7/2010 Nezu et al.  
 D622,554 S 8/2010 Carreno  
 D623,473 S 9/2010 Chen  
 D623,896 S 9/2010 Wahl et al.  
 D624,357 S 9/2010 George  
 D625,146 S \* 10/2010 George et al. .... D7/392  
 D629,657 S 12/2010 Carreno  
 D630,093 S 1/2011 Bardet  
 D631,347 S 1/2011 Rudolph et al.  
 D634,161 S 3/2011 Roth et al.  
 D634,628 S 3/2011 Goto et al.  
 D634,972 S \* 3/2011 Staton ..... D7/392.1  
 D636,672 S 4/2011 Lohrman et al.  
 D639,660 S 6/2011 Carreno  
 7,997,442 B2 8/2011 Pinelli  
 D650,672 S 12/2011 Krallmann  
 D652,256 S 1/2012 Eyal  
 D653,082 S 1/2012 George  
 D655,131 S 3/2012 Nilsson  
 D655,580 S 3/2012 Kotani  
 D655,581 S 3/2012 Kotani  
 D656,360 S 3/2012 Miller et al.  
 D656,787 S 4/2012 Phillips et al.  
 D657,994 S 4/2012 Wahl et al.  
 D658,072 S 4/2012 Davis et al.  
 D660,081 S \* 5/2012 Gilbert ..... D7/509  
 D663,209 S 7/2012 Maas et al.  
 D667,268 S 9/2012 Pallotto  
 D667,269 S 9/2012 Pallotto  
 D668,503 S \* 10/2012 Kotani ..... D7/392.1  
 D669,310 S 10/2012 Barreto et al.  
 D675,059 S 1/2013 Carreno  
 D675,865 S \* 2/2013 Wahl ..... D7/392.1  
 D675,873 S 2/2013 Miller et al.  
 D676,278 S 2/2013 Wong  
 D676,708 S 2/2013 Lane  
 8,376,182 B2 2/2013 Lepage  
 D678,729 S 3/2013 Peeters et al.  
 D686,871 S \* 7/2013 Lane ..... D7/392.1  
 D690,557 S \* 10/2013 Carreno et al. .... D7/510  
 D690,558 S \* 10/2013 Lane ..... D7/510  
 D692,270 S \* 10/2013 Lapsker ..... D7/392.1  
 D695,069 S \* 12/2013 Lane ..... D7/510  
 2002/0040909 A1 4/2002 Goto et al.  
 2002/0158069 A1 10/2002 Yoneoka et al.  
 2003/0034323 A1 2/2003 Smith et al.  
 2004/0217139 A1 11/2004 Roth et al.  
 2005/0029271 A1 2/2005 McDonough  
 2005/0092373 A1 5/2005 Schafer et al.  
 2005/0133475 A1 6/2005 Goto et al.  
 2005/0133519 A1 6/2005 McDonough  
 2006/0043052 A1 3/2006 Lin  
 2006/0226160 A1 \* 10/2006 Elsaden et al. .... 220/715  
 2007/0108214 A1 5/2007 Maher  
 2011/0049169 A1 3/2011 Rosnak et al.  
 2011/0056386 A1 3/2011 Taketani  
 2011/0170807 A1 7/2011 Khubani  
 2011/0309078 A1 12/2011 Rathbone et al.  
 2013/0056467 A1 \* 3/2013 Shepard et al. .... 220/254.9  
 2013/0140309 A1 \* 6/2013 George ..... 220/254.1

FOREIGN PATENT DOCUMENTS

DE 201 18 188 2/2002  
 DE 102006060143 7/2008

(56)

**References Cited**

FOREIGN PATENT DOCUMENTS

JP	S57-36139	2/1982
JP	2000128218	5/2000
JP	2003205958	7/2003
JP	2004345742	12/2004
JP	2007320618	12/2007
WO	9624533	8/1996
WO	2011030830	3/2011

OTHER PUBLICATIONS

Author unknown, Zojirushi product—Stainless Steel Vacuum Bottle Model No. ST-KA12 print out of web page at <http://www.zojirushi.com/products/stka>, printed Jul. 26, 2011, one page.

Thermos catalog of Kids Lunch Kits and Food Storage, 2007, page showing Thermos FUNtainer bottle and lid, item 24227BA 006 and four photographs showing the FUNtainer lid.

\* cited by examiner



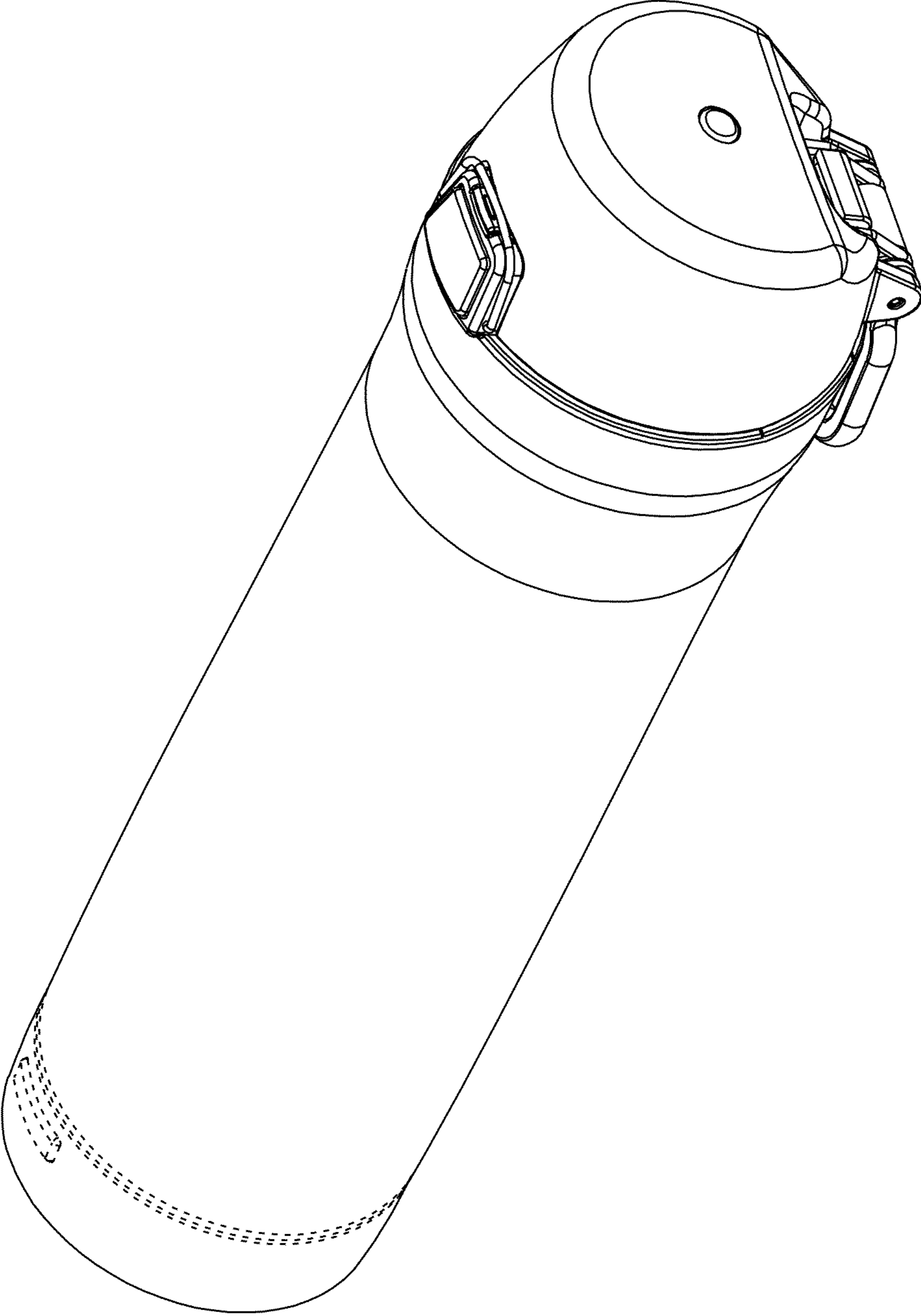


Figure 1

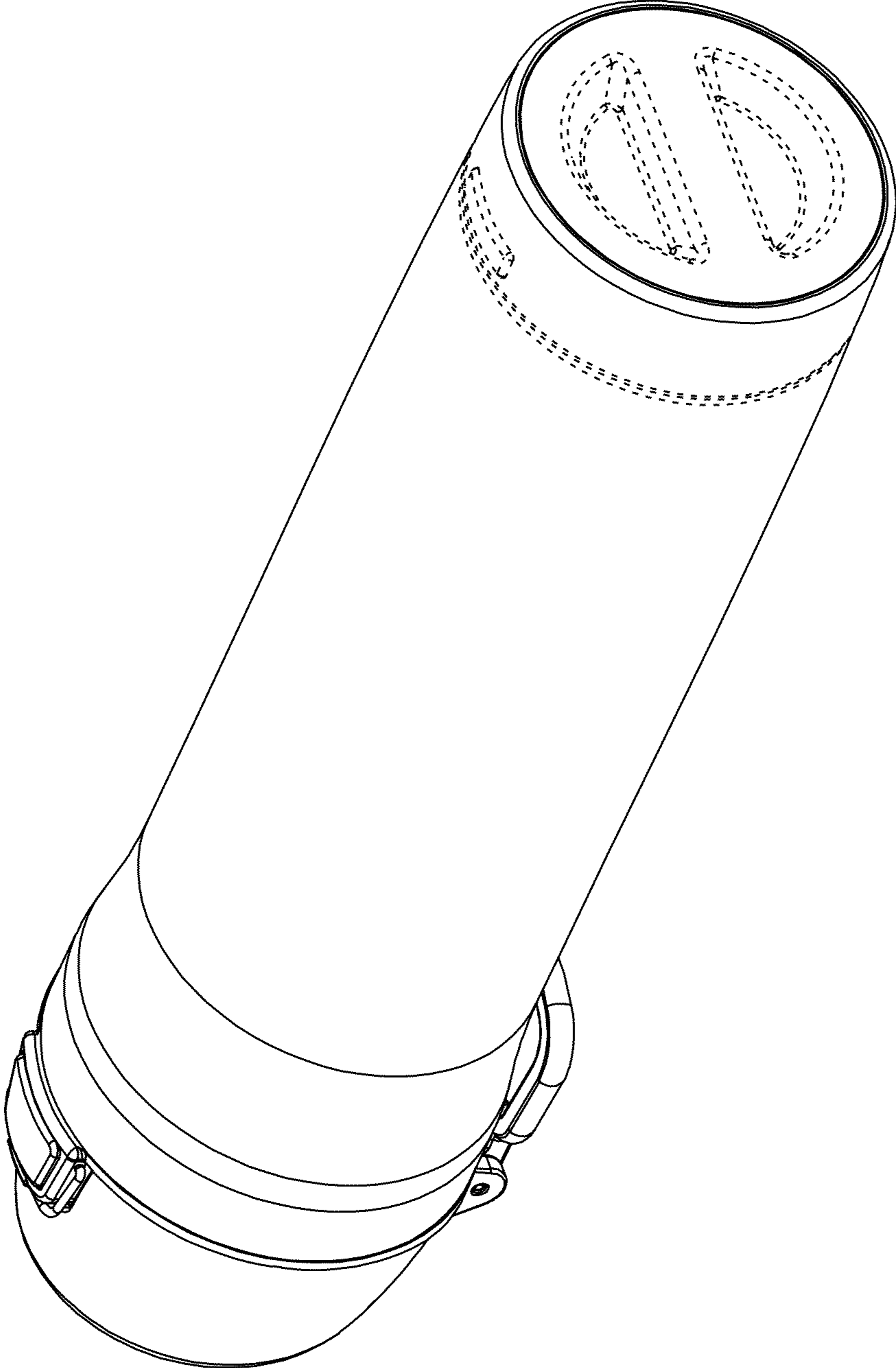


Figure 2

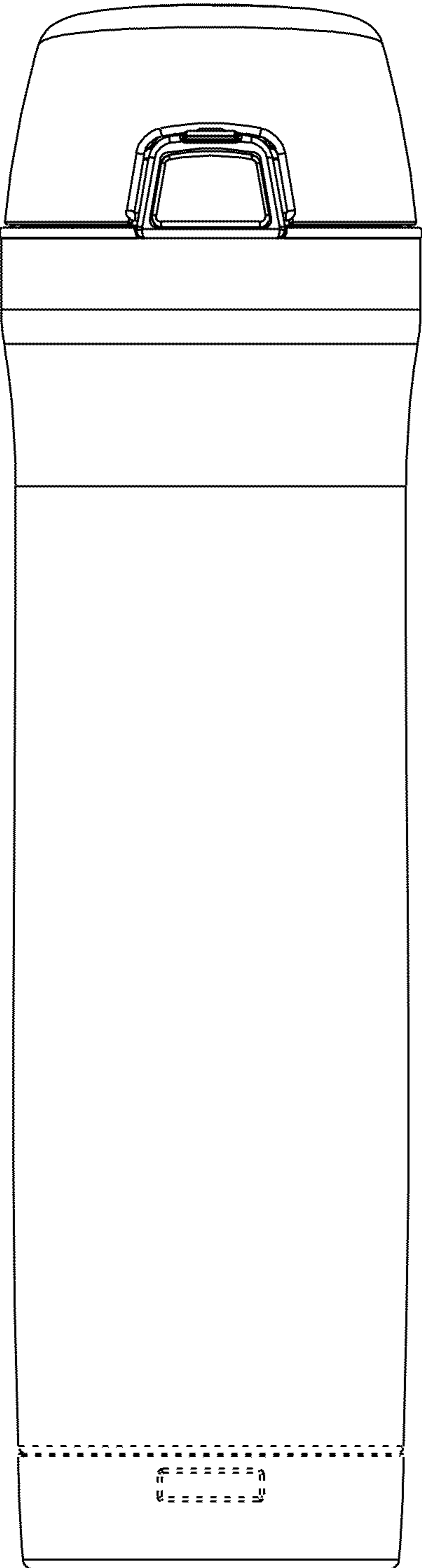


Figure 3

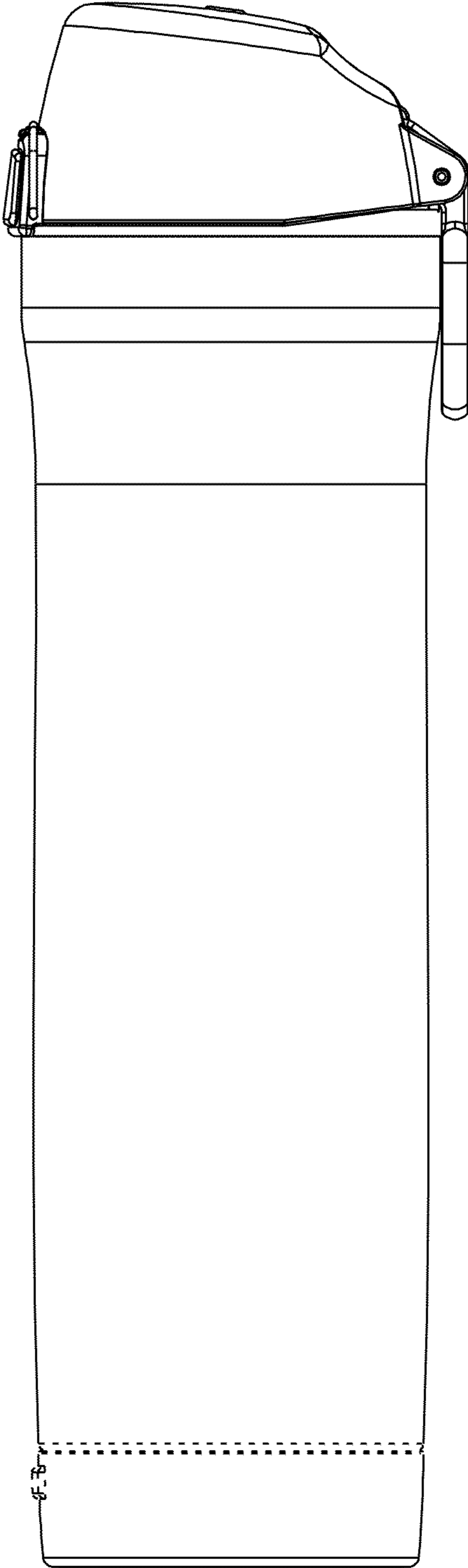


Figure 4

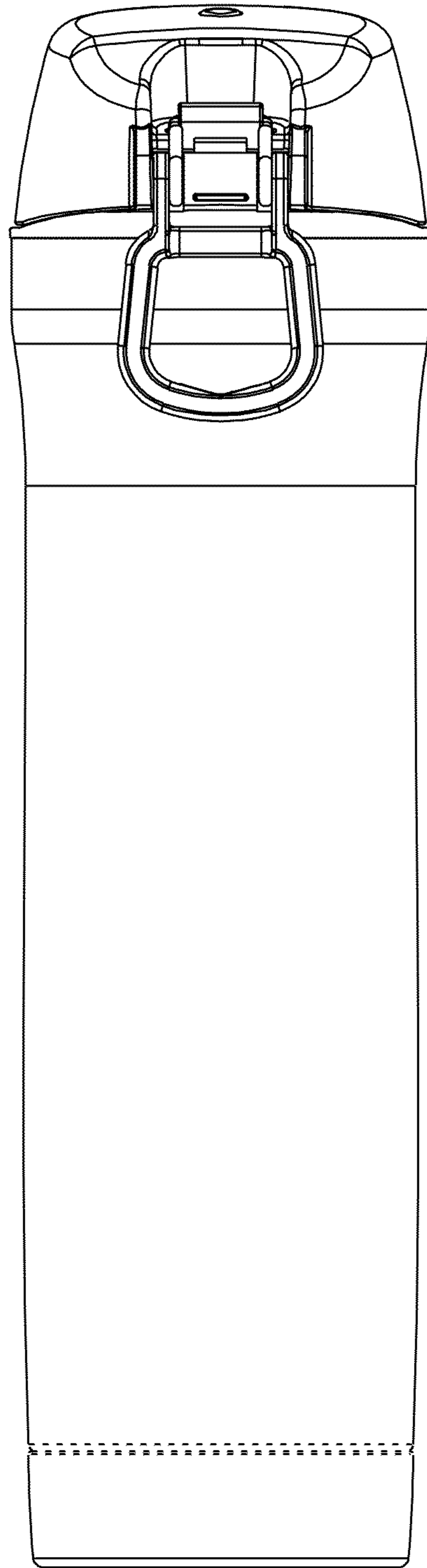


Figure 5



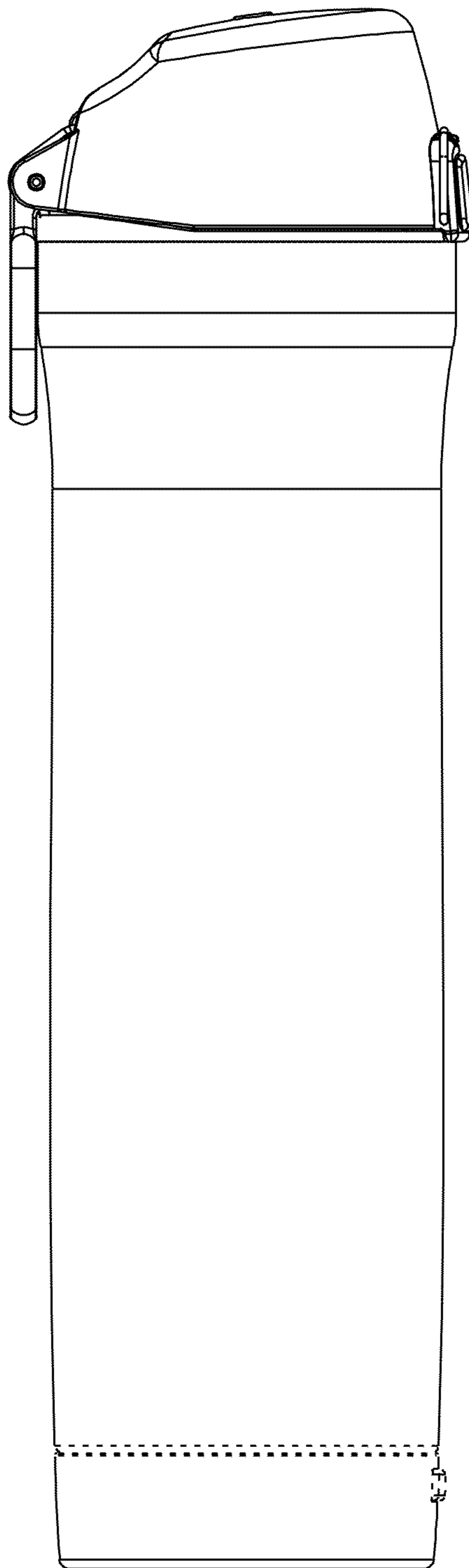


Figure 6

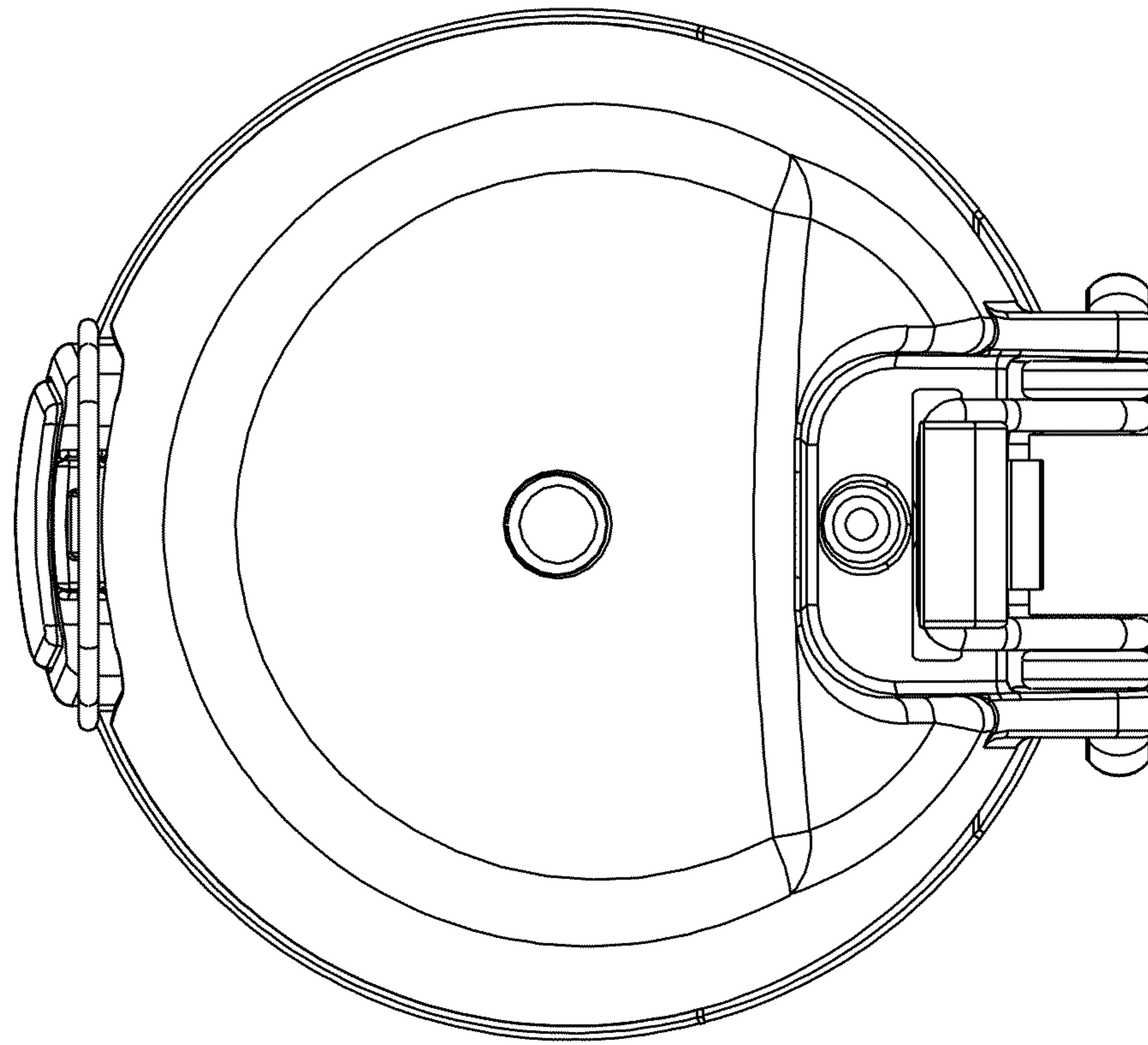


Figure 7

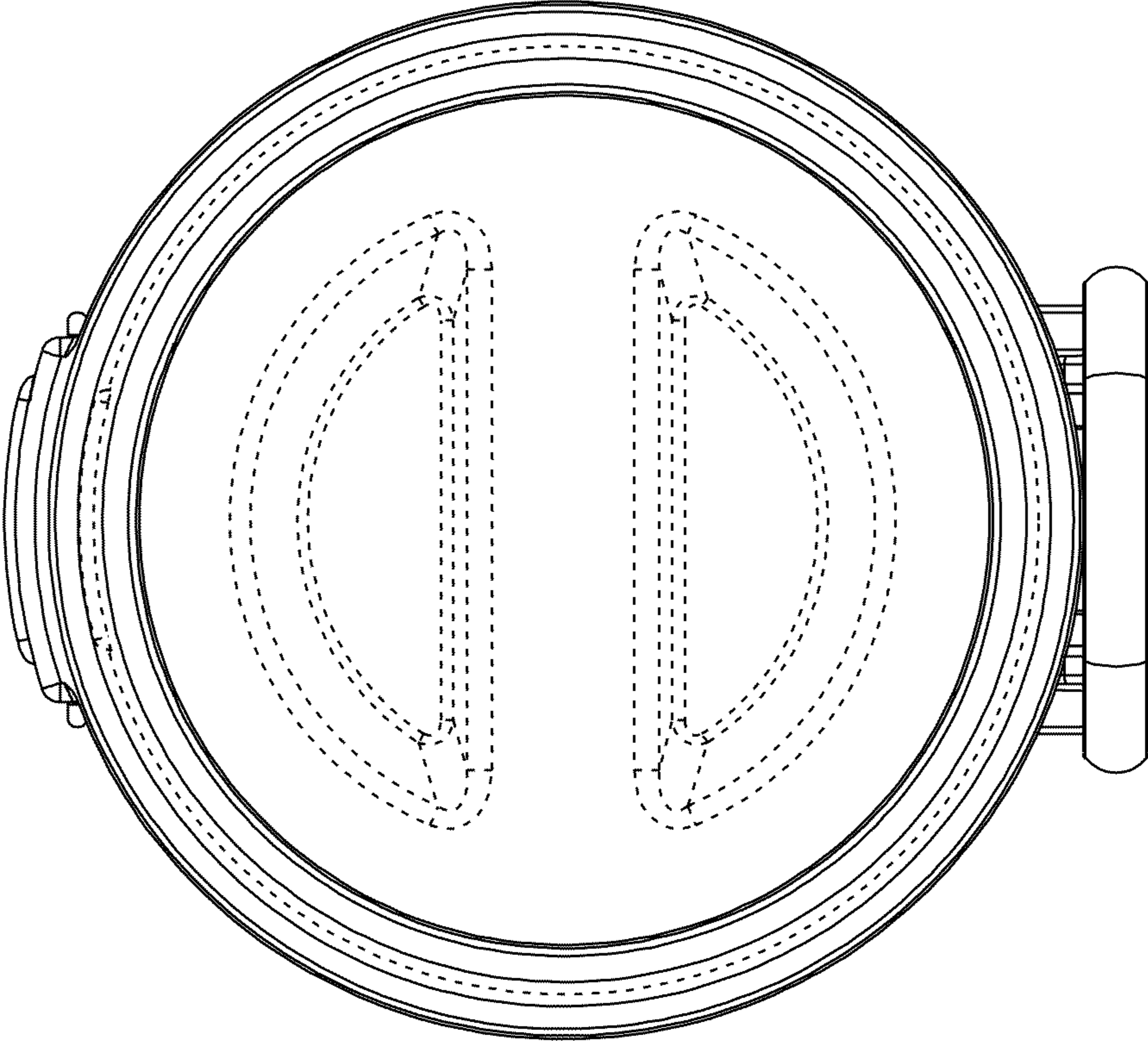


Figure 8