



US00D725964S

(12) **United States Design Patent**
Blanc

(10) **Patent No.:** **US D725,964 S**

(45) **Date of Patent:** **** Apr. 7, 2015**

(54) **BEVERAGE BREWING DEVICE**

(71) Applicant: **Conopco, Inc.**, Englewood Cliffs, NJ
(US)

(72) Inventor: **Jean Sebastien Blanc**, Paris (FR)

(73) Assignee: **Conopco, Inc.**, Englewood Cliffs, NJ
(US)

(**) Term: **14 Years**

(21) Appl. No.: **29/485,402**

(22) Filed: **Mar. 19, 2014**

Related U.S. Application Data

(62) Division of application No. 29/440,100, filed on Dec. 19, 2012, now Pat. No. Des. 704,494.

Foreign Application Priority Data

Jul. 6, 2012 (EM) 002069815-0001
Jul. 6, 2012 (EM) 002069815-0002

(51) **LOC (10) Cl.** **07-01**

(52) **U.S. Cl.**
USPC **D7/397; D7/306; D7/399; D7/309**

(58) **Field of Classification Search**
USPC **D7/306, 309-311, 300, 313, 301, 307, D7/308, 305, 589, 397, 399; 99/323.2, 99/284, 279, 302, 294, 290, 295; 222/146.6, 185.1; D26/2**

See application file for complete search history.

(56) **References Cited**

U.S. PATENT DOCUMENTS

D495,189 S	8/2004	Cahen	
D540,608 S	4/2007	Cahen	
D549,361 S *	8/2007	To et al.	D26/2
D602,303 S	10/2009	Cahen	
D630,880 S	1/2011	Zimmermann	
D643,682 S *	8/2011	Asthon	D7/397
D649,392 S	11/2011	Cahen	
D666,451 S	9/2012	Cheng	
D672,188 S *	12/2012	Luippold et al.	D7/306
D681,386 S	5/2013	Pininfarina	
D688,392 S *	8/2013	Tsai	D26/2
D704,494 S *	5/2014	Blanc	D7/309
8,820,974 B2 *	9/2014	Chang et al.	362/294
D715,465 S *	10/2014	Hasuo et al.	D26/2

* cited by examiner

Primary Examiner — Marianne Pandozzi

(74) *Attorney, Agent, or Firm* — Ellen Plotkin

(57) **CLAIM**

The ornamental design for a beverage brewing device, as shown and described.

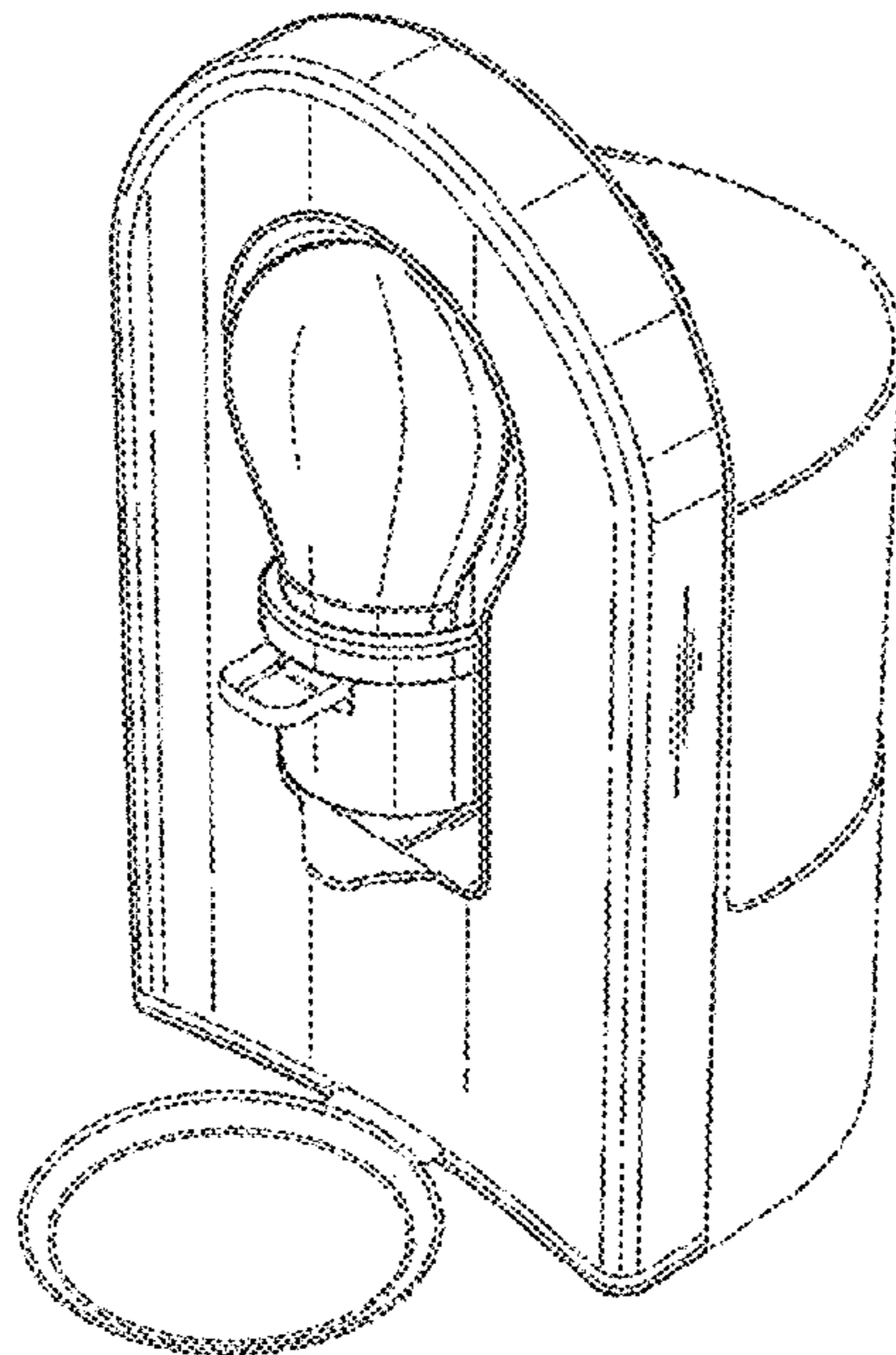
DESCRIPTION

FIG. 1 is a perspective view of a beverage brewing device showing my new design;
FIG. 2 is a front view thereof;
FIG. 3 is a back view thereof;
FIG. 4 is a left side plan view thereof;
FIG. 5 is a right side plan view thereof;
FIG. 6 is a bottom plan view thereof; and,
FIG. 7 is a top plan view thereof.

The broken lines are directed to environment and are for illustrative purposes only.

The broken lines form no part of the claimed design.

1 Claim, 7 Drawing Sheets



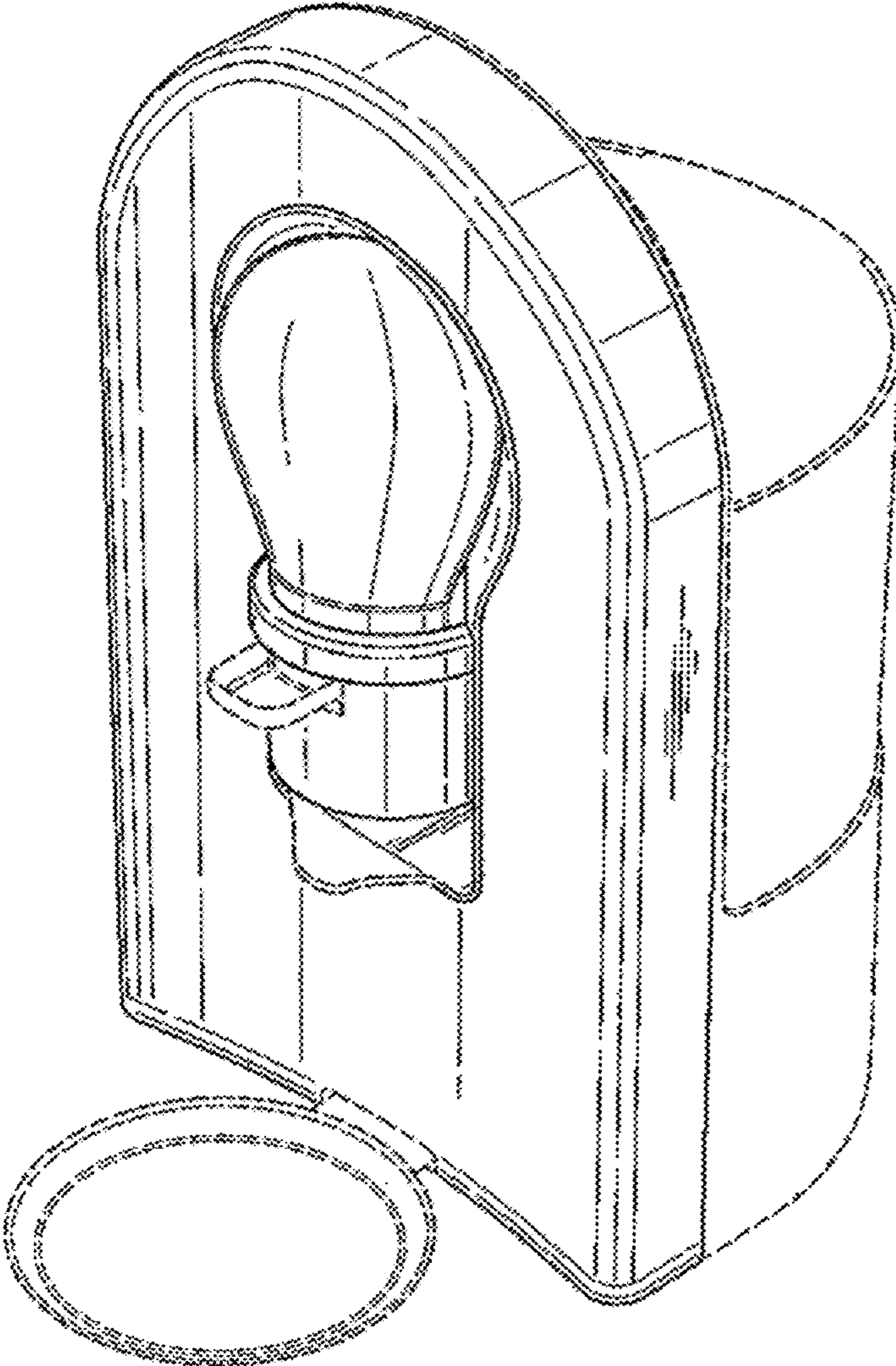


FIG. 1

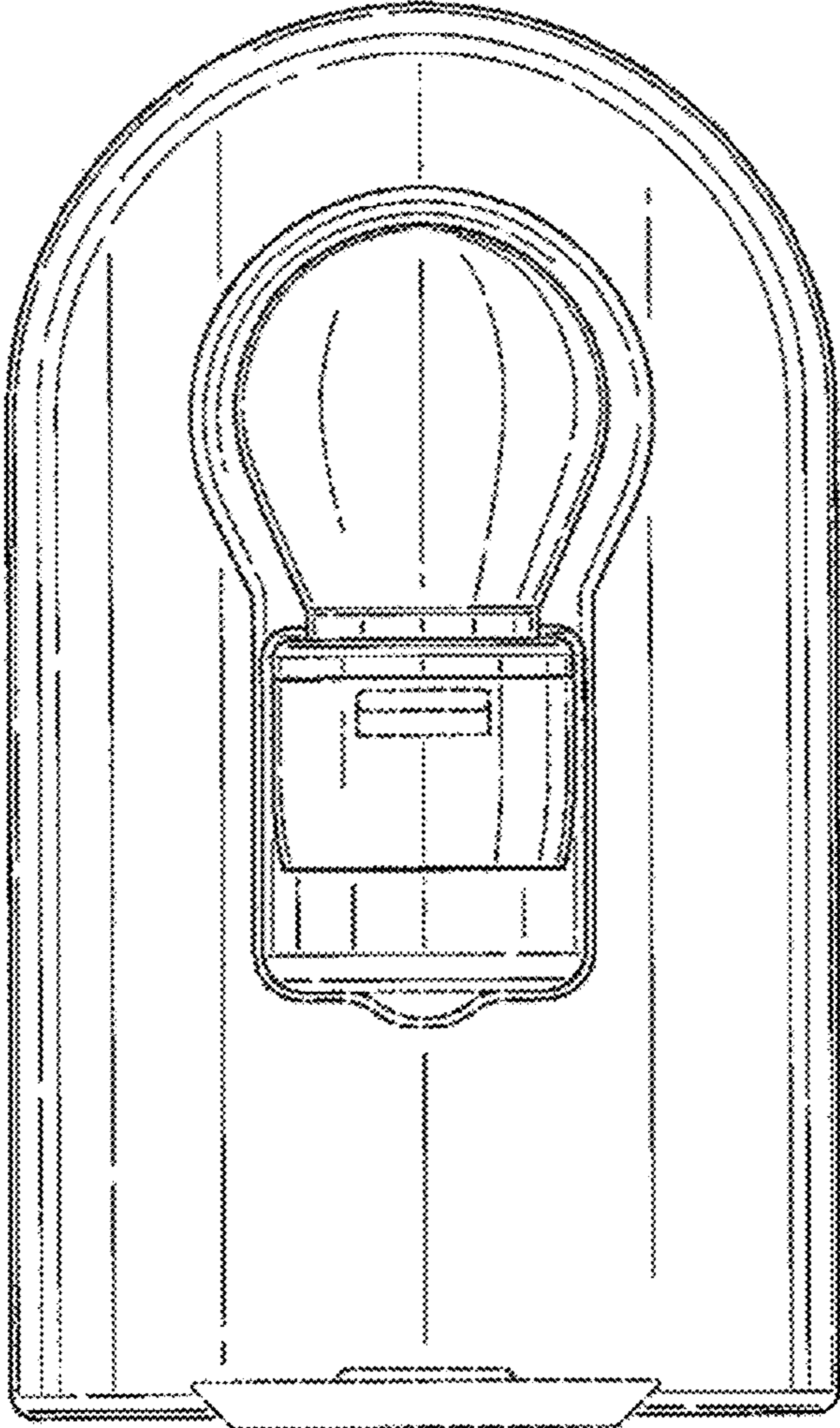


FIG. 2

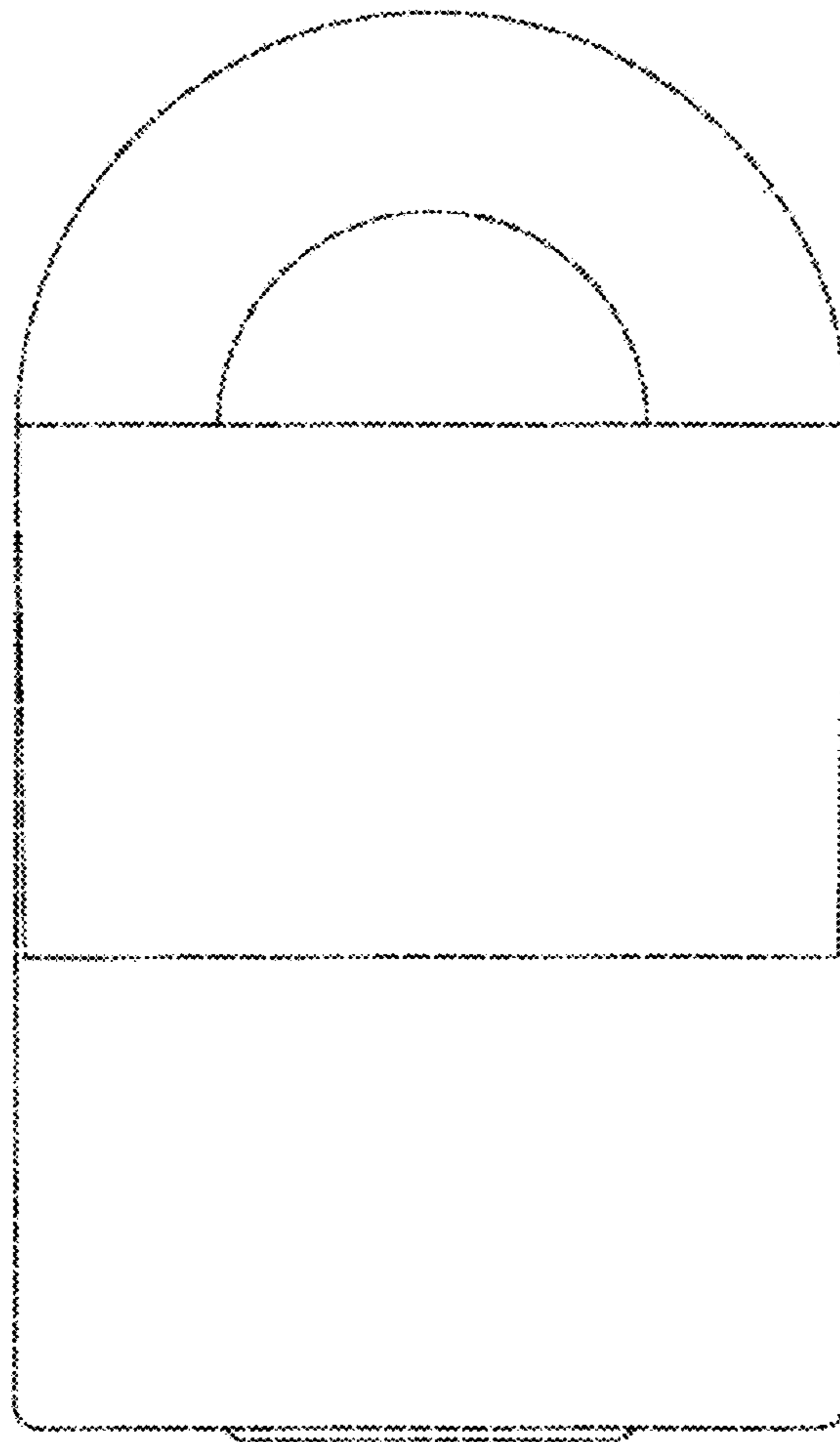


FIG. 3

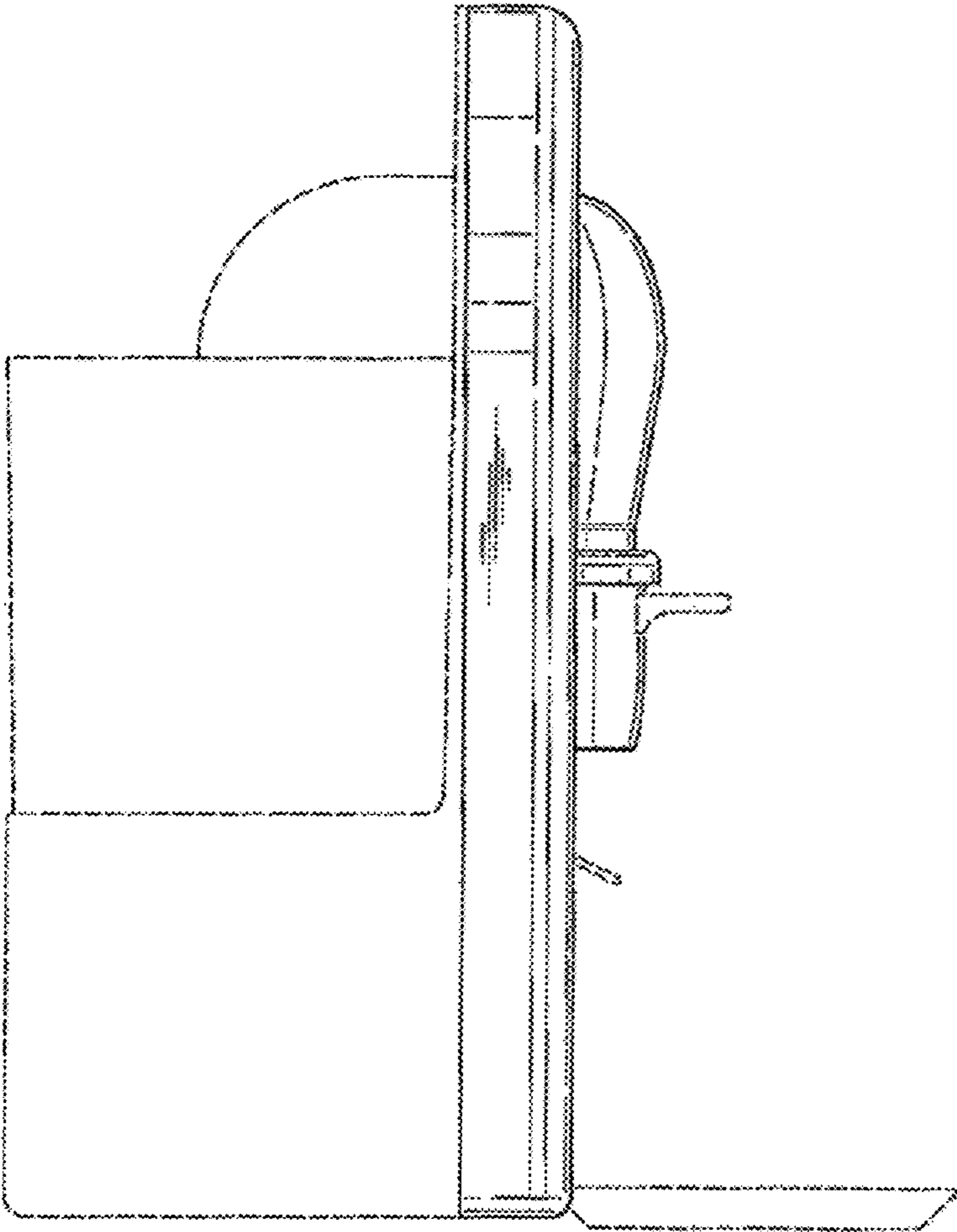


FIG. 4

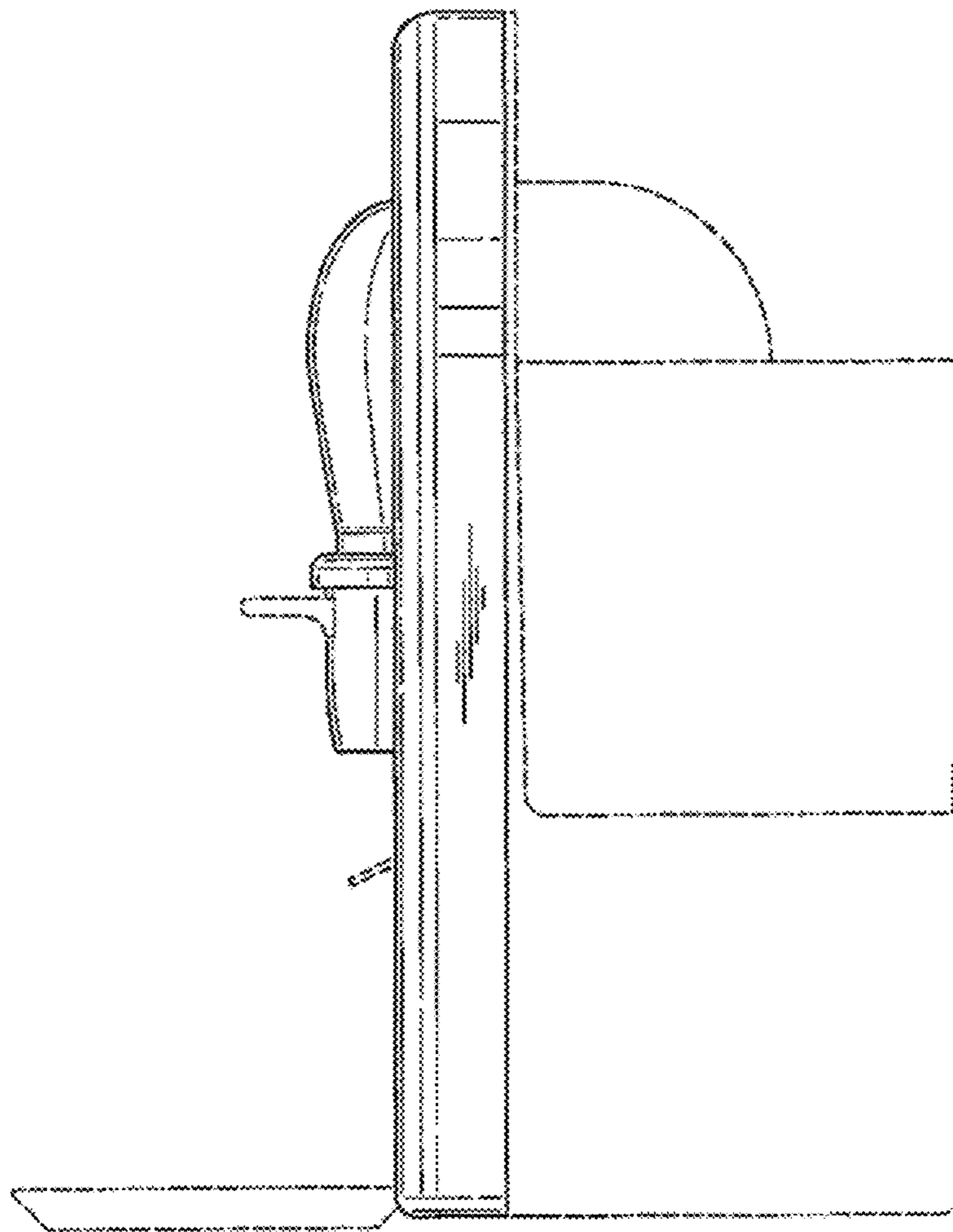


FIG. 5

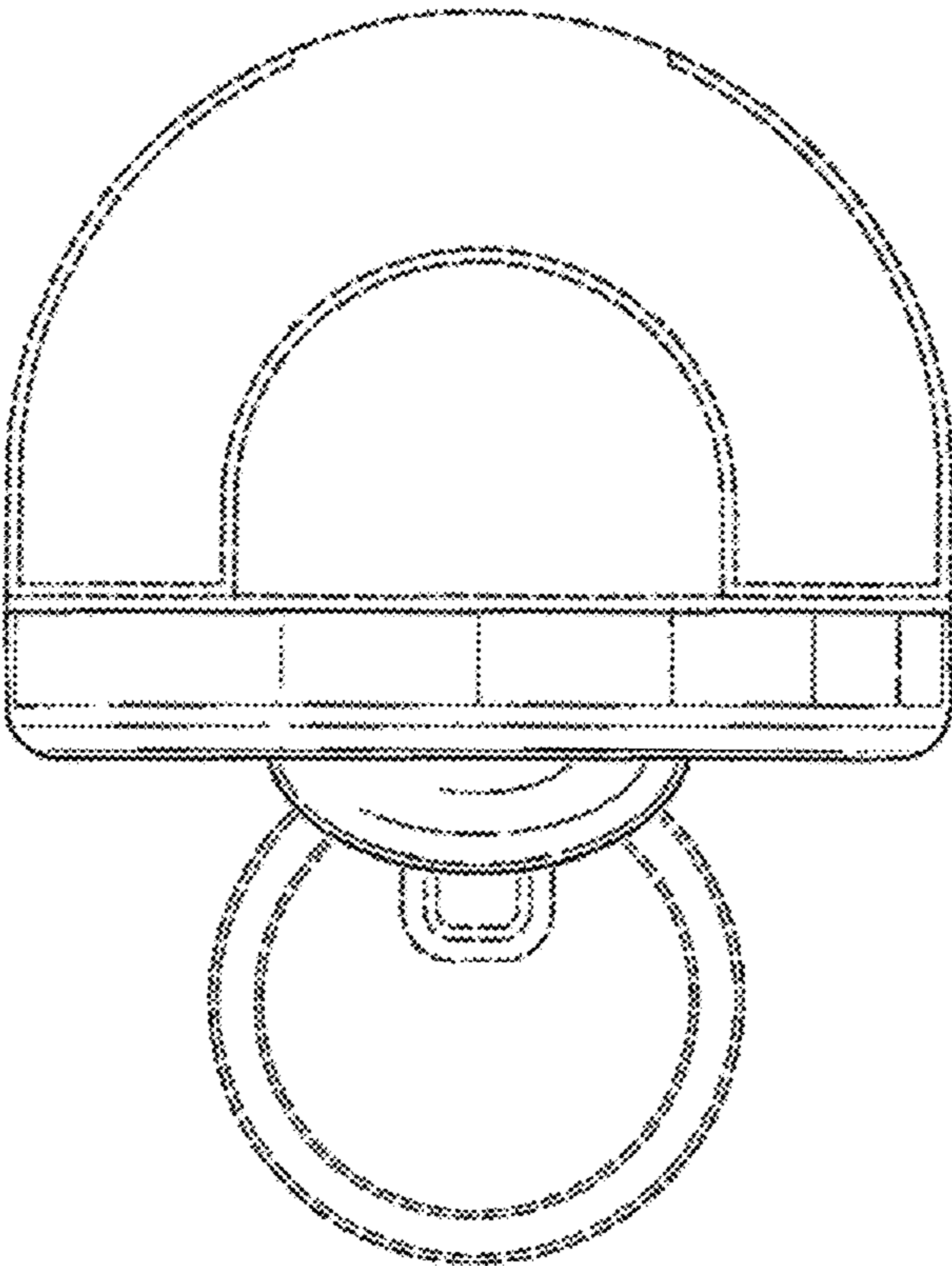


FIG. 6

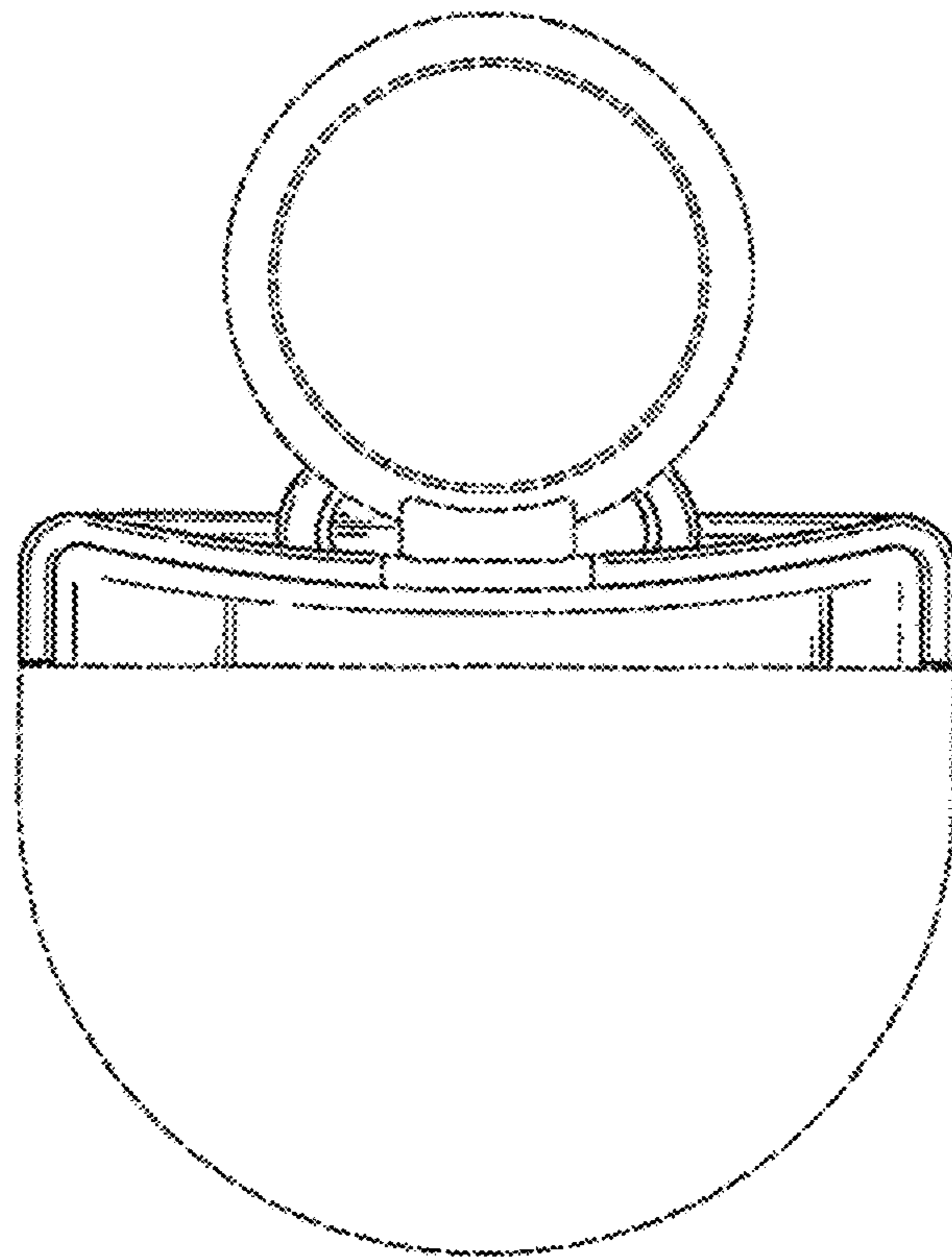


FIG. 7