



US00D725961S

(12) **United States Design Patent**  
**Kent**

(10) **Patent No.:** **US D725,961 S**

(45) **Date of Patent:** **\*\* Apr. 7, 2015**

(54) **NUT CHOPPER**

(71) Applicant: **Progressive International Corporation,**  
Kent, WA (US)

(72) Inventor: **Joseph Kent,** Seattle, WA (US)

(73) Assignee: **Progressive International Corporation,**  
Kent, WA (US)

(\*\*) Term: **14 Years**

(21) Appl. No.: **29/480,687**

(22) Filed: **Jan. 28, 2014**

(51) **LOC (10) Cl.** ..... **31-00**

(52) **U.S. Cl.**  
USPC ..... **D7/372**

(58) **Field of Classification Search**

CPC ..... A21C 1/02; A21C 1/04; A23N 1/00;  
A23N 1/02; A47J 43/04; A47J 43/25; A47J  
43/27; A47J 43/042; A47J 43/044; A47J  
43/046; A47J 43/07; A47J 43/075; A47J  
43/0722; A47J 43/0727; B01F 3/00; B01F  
3/0807; B01F 3/0853; B01F 13/0059; B01F  
13/0064; B02C 1/08; B02C 2/04; B02C 4/42;  
B02C 4/142; B02C 4/143; B02C 4/423;  
B02C 13/1835; B02C 18/00; B28C 5/10;  
B28C 5/12; B28C 5/14; B28C 5/16  
USPC ..... D7/372, 374, 376-386, 412-413, 602,  
D7/629, 665-666, 669, 679, 693-694;  
99/509-511; 241/88.4, 92, 98,  
241/101.01-101.2, 166-169.1, 274-278.2,  
241/285.1-285.3, 291, 292.1; 366/64-65,  
366/97-98, 100, 130, 197-201, 205-207,  
366/219-220, 341-343

See application file for complete search history.

(56) **References Cited**

**U.S. PATENT DOCUMENTS**

2,280,211 A 4/1942 Bernhardt

D176,546 S \* 1/1956 Moore ..... D7/374  
D196,093 S \* 8/1963 Ostrowsky ..... D7/372  
3,357,468 A 12/1967 Moller  
3,527,277 A \* 9/1970 Woods ..... 241/88.4  
D424,889 S 5/2000 Yip  
D474,369 S \* 5/2003 Benzon et al. .... D7/372  
D502,062 S \* 2/2005 Kaposi ..... D7/693  
D530,996 S \* 10/2006 Yang ..... D7/693

(Continued)

**FOREIGN PATENT DOCUMENTS**

FR 1424967 A 1/1966  
FR 2338029 A1 8/1977

**OTHER PUBLICATIONS**

Progressive International Corporation; Image of 2005 Nut Chopper.

*Primary Examiner* — Ricky Pham

(74) *Attorney, Agent, or Firm* — Lowe Graham Jones PLLC

(57) **CLAIM**

I claim the ornamental design for the nut chopper, as shown and described.

**DESCRIPTION**

FIG. 1 is a perspective view of a nut chopper, showing my new design.

FIG. 2 is a front view of the nut chopper, the back view being a mirror image.

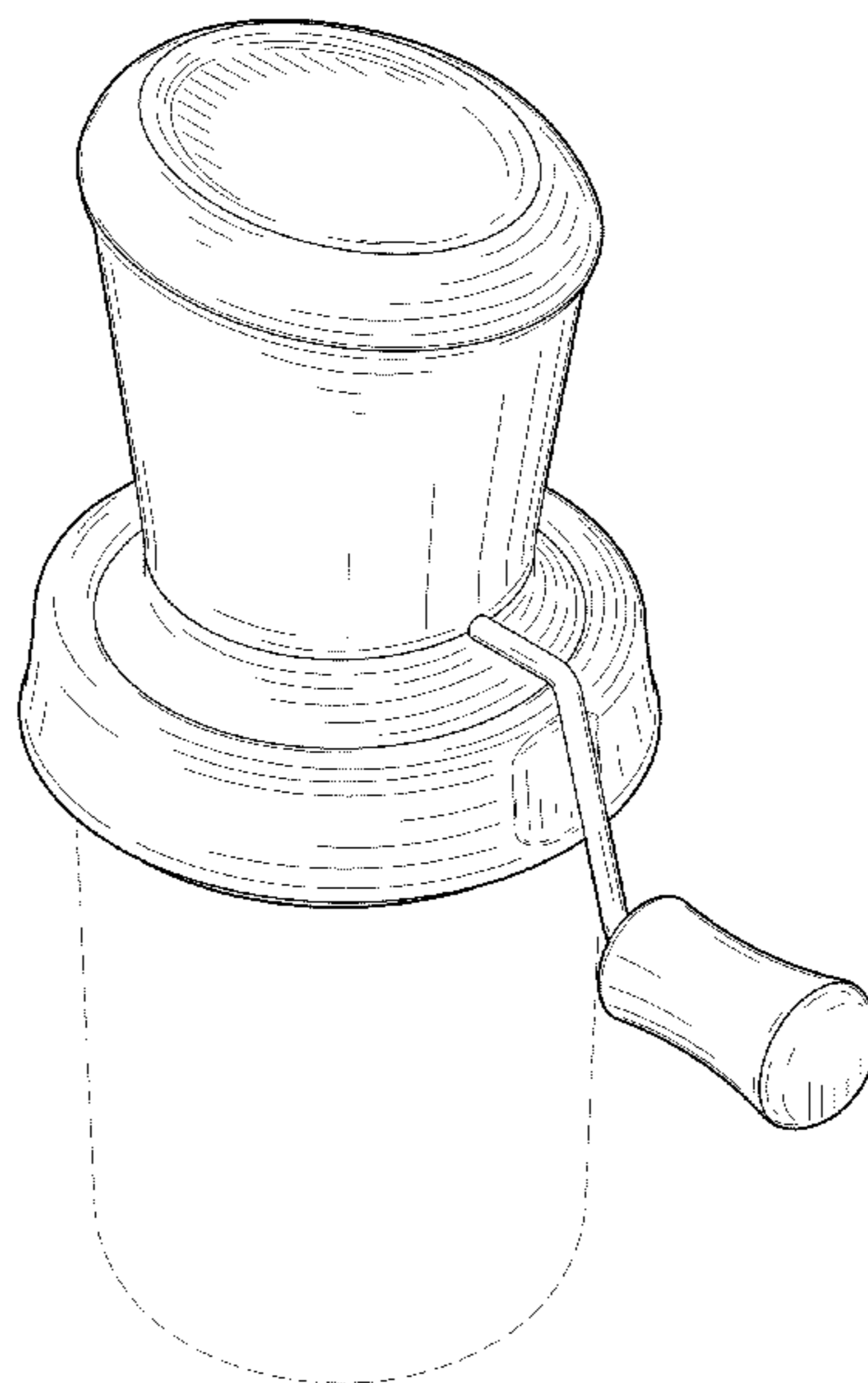
FIG. 3 is a right side view of the nut chopper.

FIG. 4 is a left side view of the nut chopper; and,

FIG. 5 is a top view of the nut chopper.

The bottom view not visible in the drawings is unornamented and forms no part of the claimed invention. Features illustrated in broken lines, including a jar shown attached to the bottom of the nut chopper, form no part of the claimed invention.

**1 Claim, 5 Drawing Sheets**



# US D725,961 S

Page 2

---

(56)

## References Cited

### U.S. PATENT DOCUMENTS

D680,392 S *	4/2013	Dichraff et al. ....	D7/693
2013/0334351 A1 *	12/2013	Kent et al. ....	241/88.4
D673,013 S *	12/2012	Kent et al. ....	D7/693

\* cited by examiner

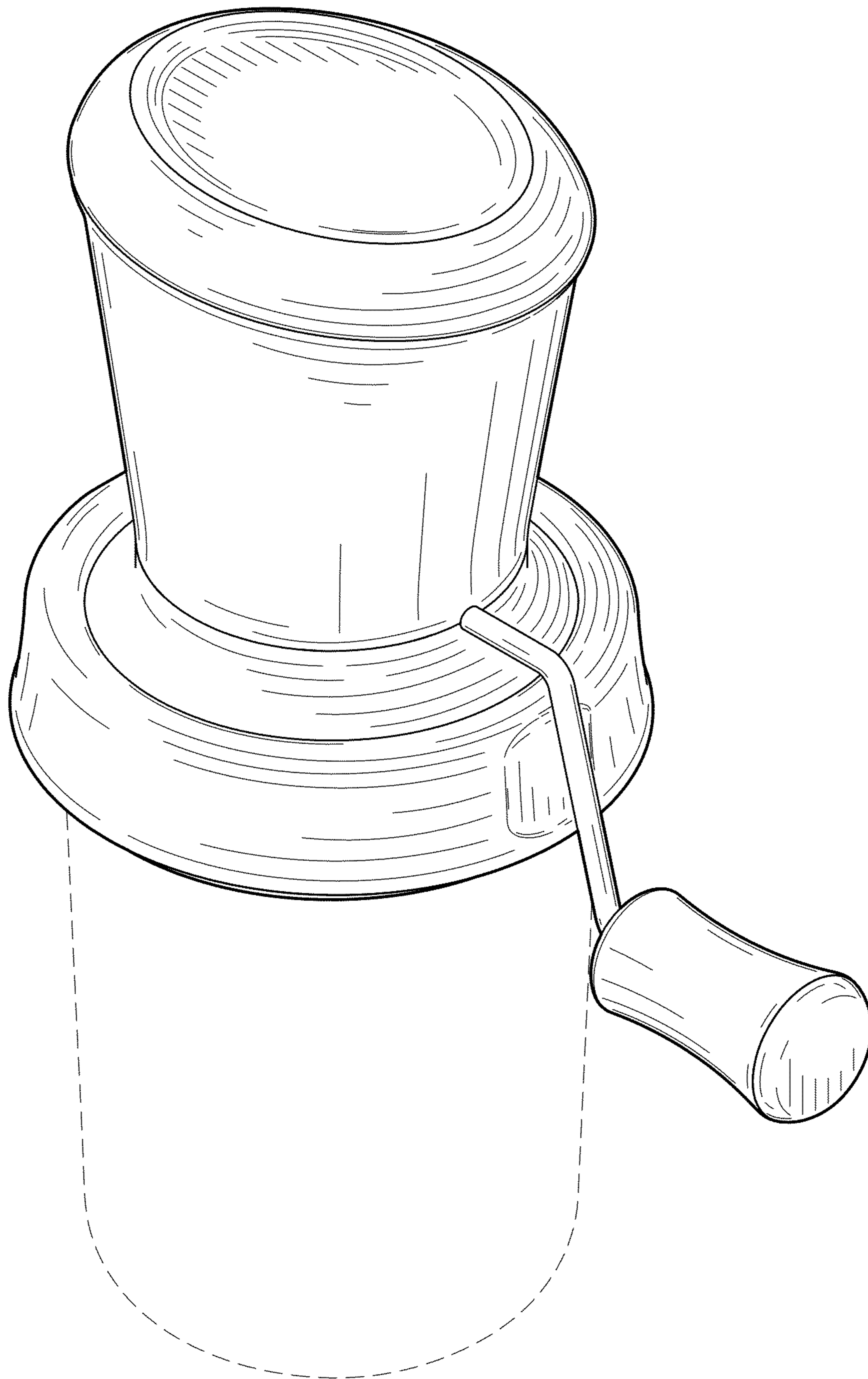


FIG.1

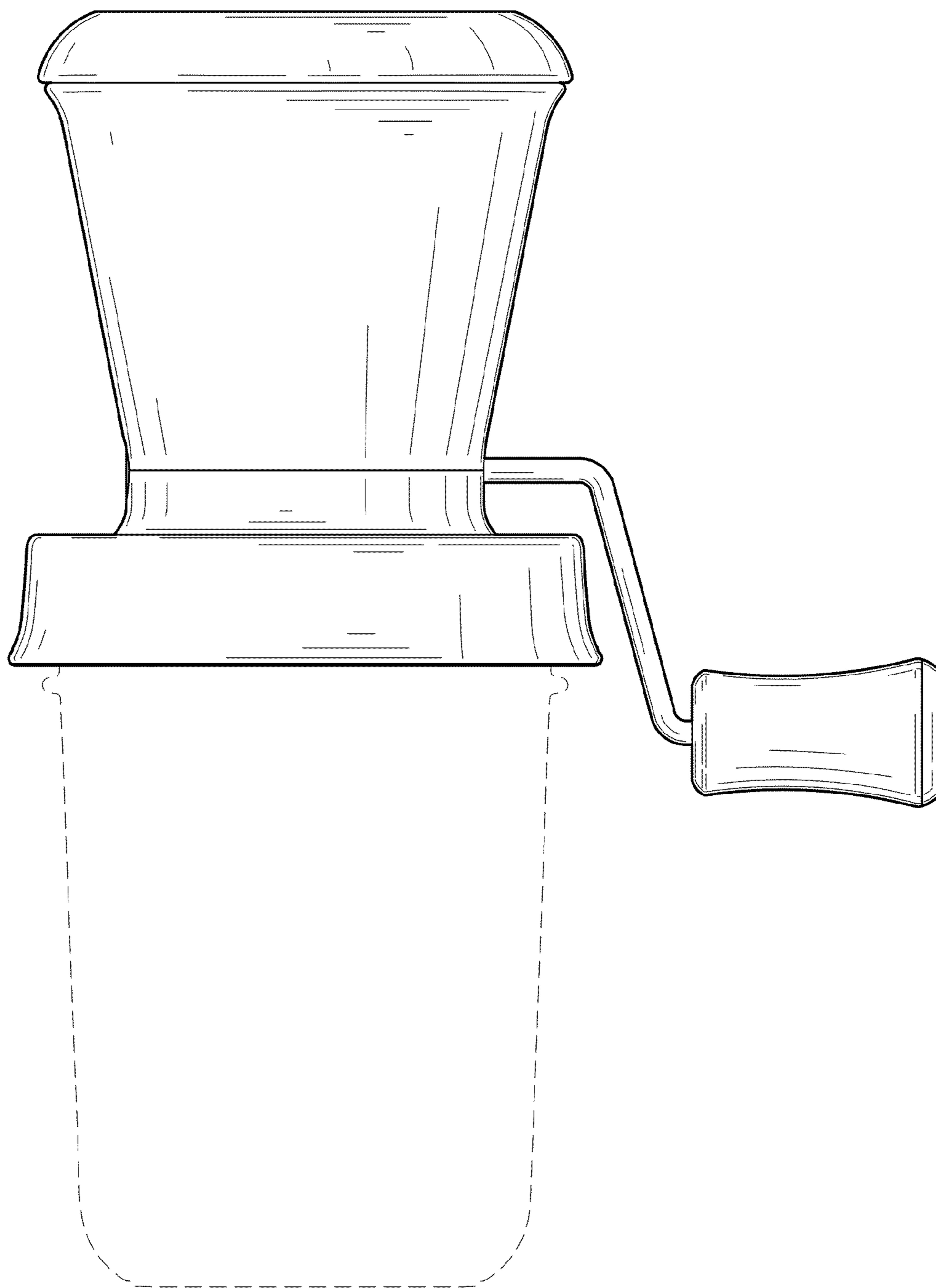


FIG.2

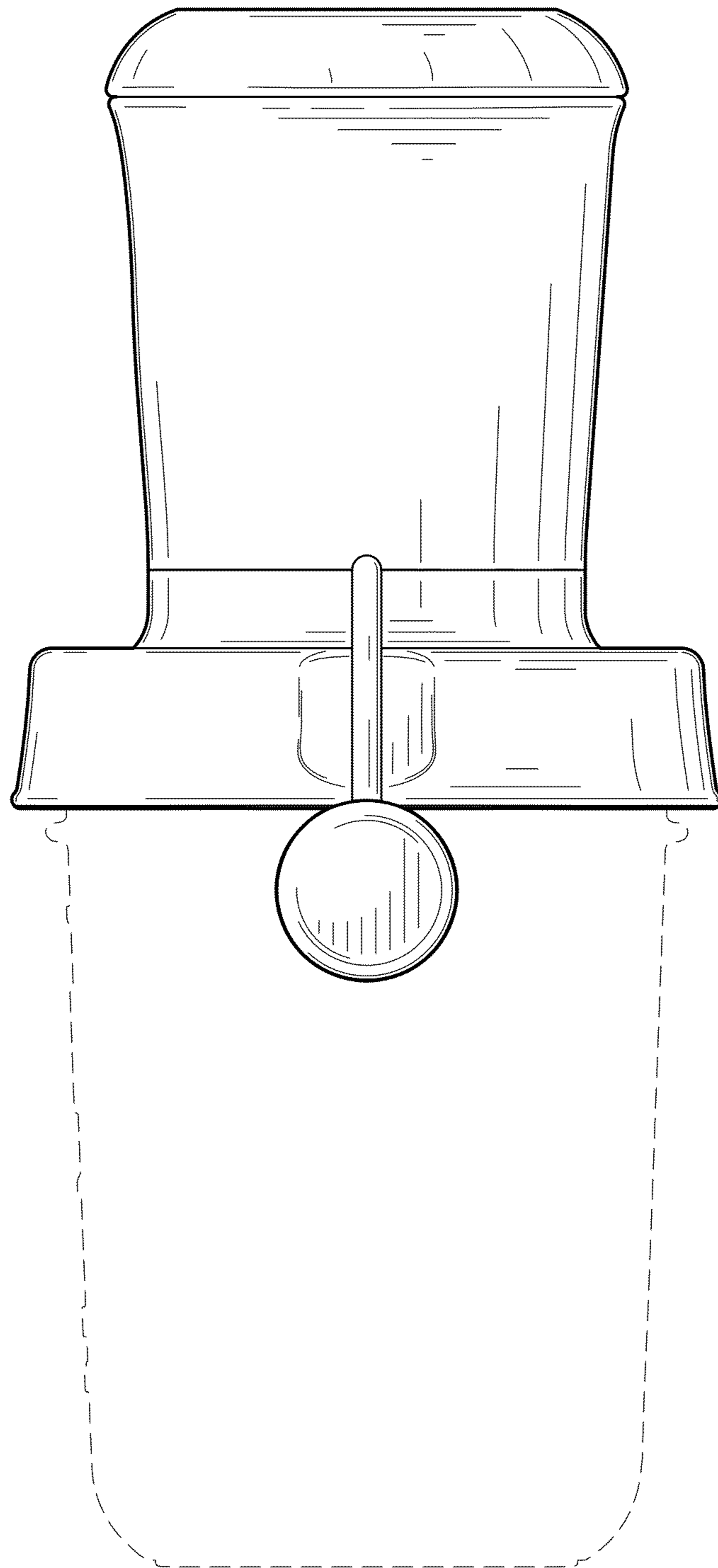


FIG. 3

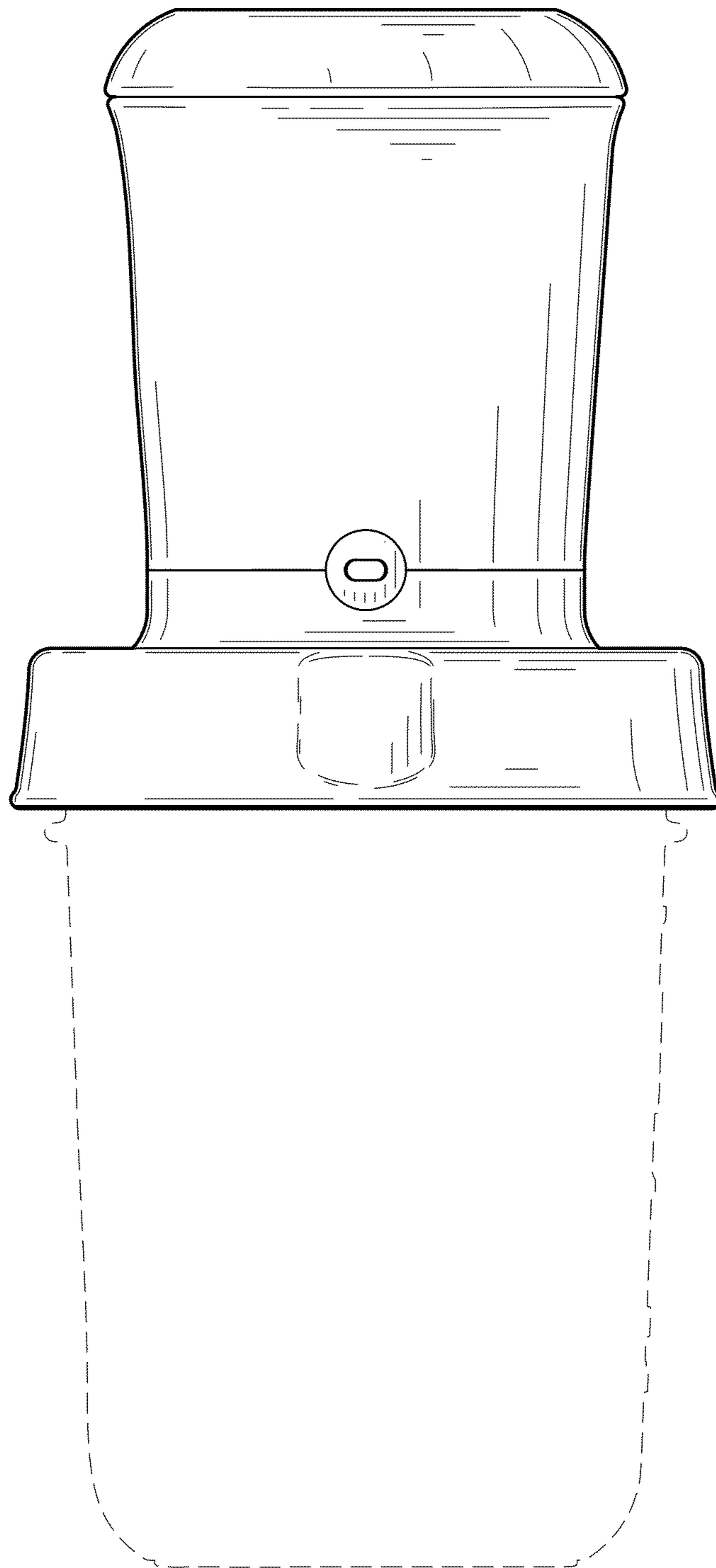


FIG.4



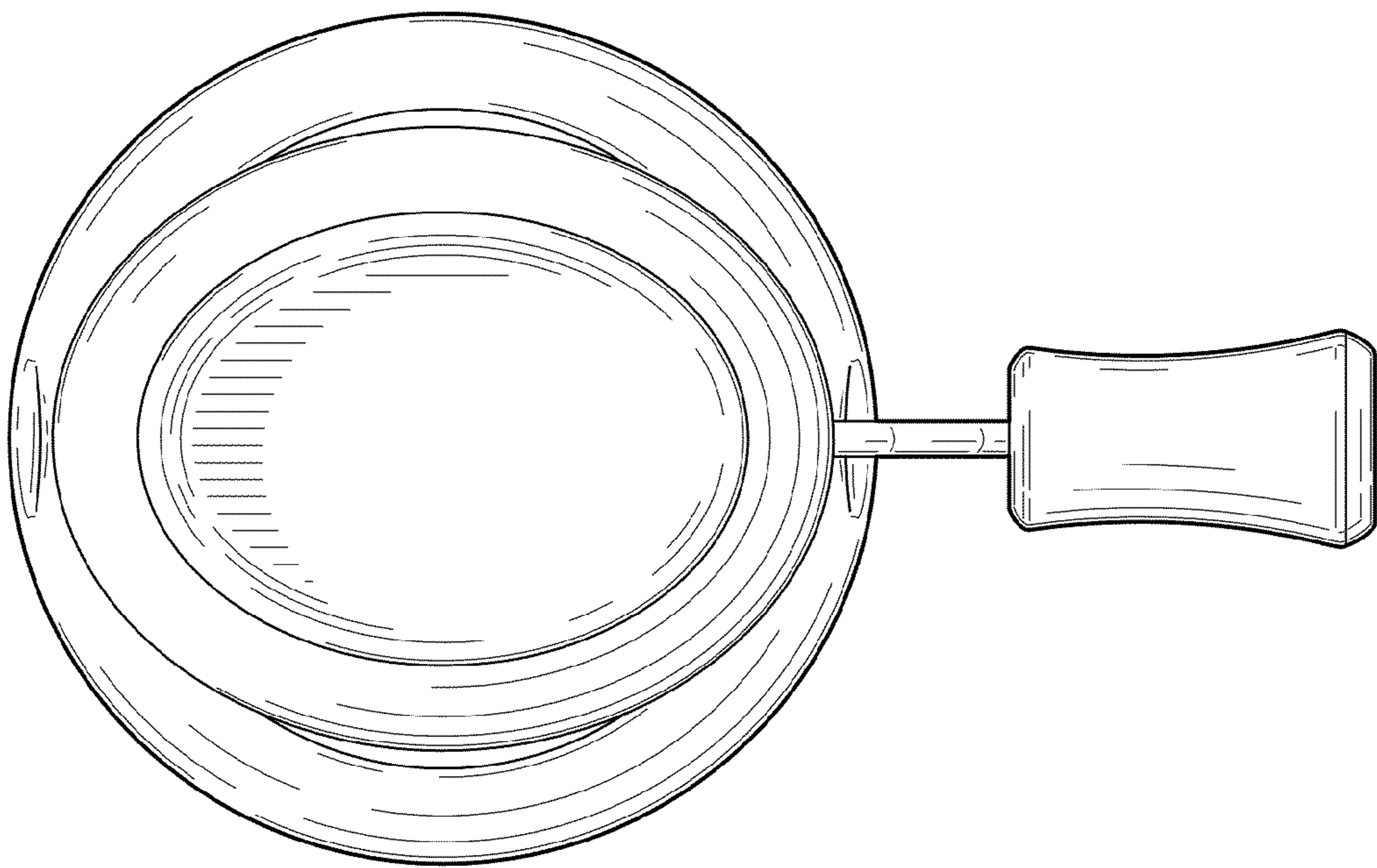


FIG. 5