



US00D725959S

(12) **United States Design Patent**  
**Thomas**

(10) **Patent No.:** **US D725,959 S**  
(45) **Date of Patent:** **\*\* Apr. 7, 2015**

- (54) **MICROWAVE OVEN DISH STACKER**
- (71) Applicant: **Howard Thomas**, Liberty, TX (US)
- (72) Inventor: **Howard Thomas**, Liberty, TX (US)
- (\*\*) Term: **14 Years**
- (21) Appl. No.: **29/462,432**
- (22) Filed: **Aug. 3, 2013**
- (51) **LOC (10) Cl.** ..... **07-01**
- (52) **U.S. Cl.**  
USPC ..... **D7/368**
- (58) **Field of Classification Search**  
USPC ..... D7/368, 542, 354, 505, 538, 540, 584;  
220/574; 211/188; 219/732, 733, 754,  
219/763; 99/DIG. 14, 448, 449; D9/452,  
D9/454  
See application file for complete search history.

6,386,498	B1 *	5/2002	Deco	.....	248/346.01
6,516,747	B1 *	2/2003	Willinger	.....	119/61.54
2005/0077303	A1 *	4/2005	Minner et al.	.....	220/574
2005/0224502	A1 *	10/2005	Lambert et al.	.....	220/676
2012/0325807	A1 *	12/2012	Jeon et al.	.....	219/730

\* cited by examiner

*Primary Examiner* — Wan Laymon  
*Assistant Examiner* — Mark Booker

(57) **CLAIM**

The ornamental design for a microwave oven dish stacker, as shown and described.

**DESCRIPTION**

FIG. 1 is a perspective view of a microwave oven dish stacker; FIG. 2 is a front view thereof; FIG. 3 is a top view thereof; FIG. 4 is a rear view thereof; FIG. 5 is a right side view thereof; FIG. 6 is a left side view thereof; FIG. 7 is a bottom view thereof; FIG. 8 is a section view thereof, as seen along section lines 8-8 of FIG. 4; FIG. 9 is a section view thereof, as seen along section lines 9-9 of FIG. 3; and, FIG. 10 is a section view thereof, as seen along section lines 10-10 of FIG. 3.

**1 Claim, 5 Drawing Sheets**

(56) **References Cited**

**U.S. PATENT DOCUMENTS**

3,858,529	A *	1/1975	Salladay	.....	108/103
D272,212	S *	1/1984	Daenen et al.	.....	D7/505
D286,129	S *	10/1986	Bowen et al.	.....	D7/409
4,713,513	A *	12/1987	Colato	.....	219/755
D373,708	S *	9/1996	Hamilton et al.	.....	D7/552.2
5,726,428	A *	3/1998	Christensen	.....	219/754
6,273,284	B1 *	8/2001	Nottage	.....	220/4.26

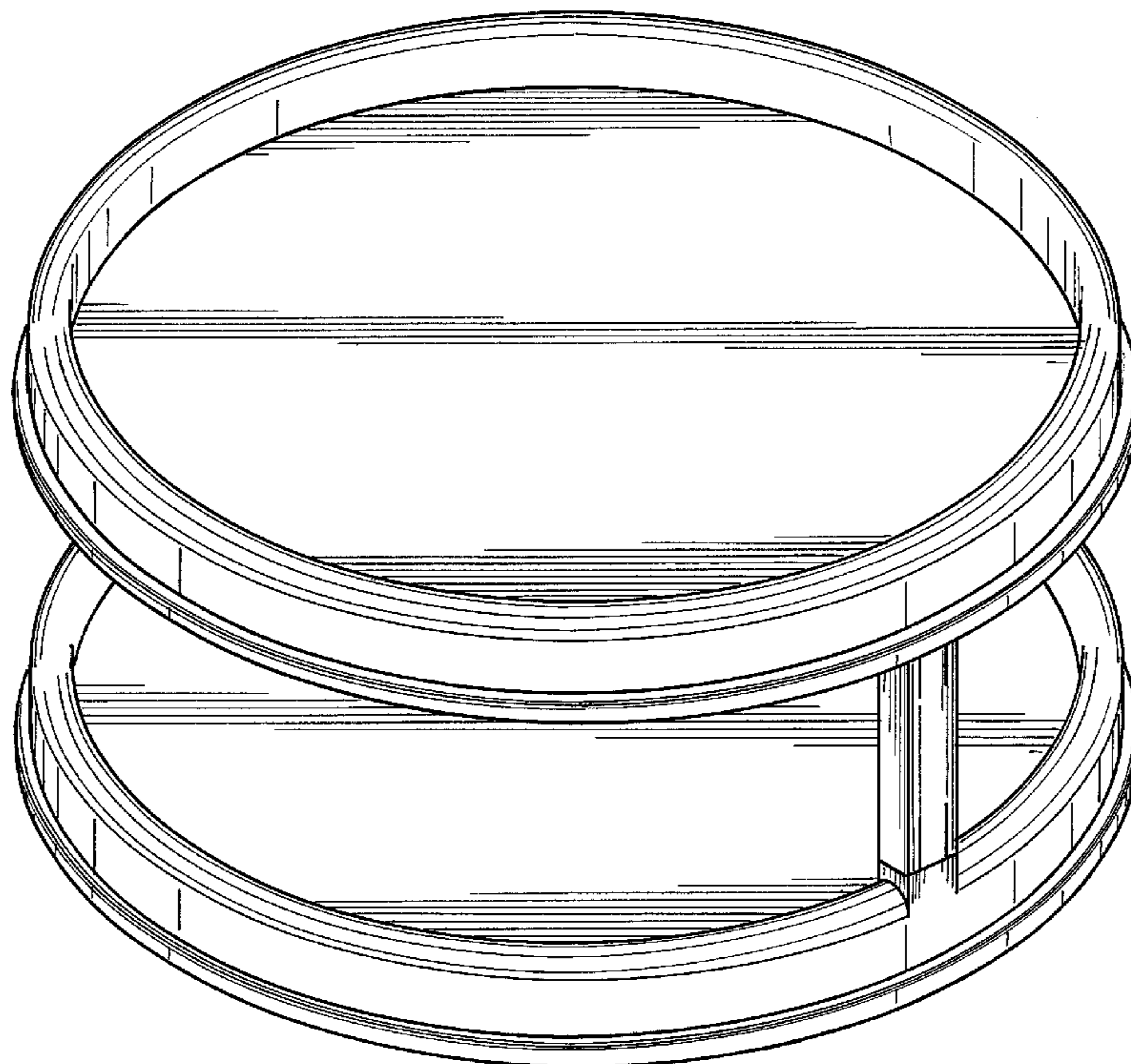


FIG.1

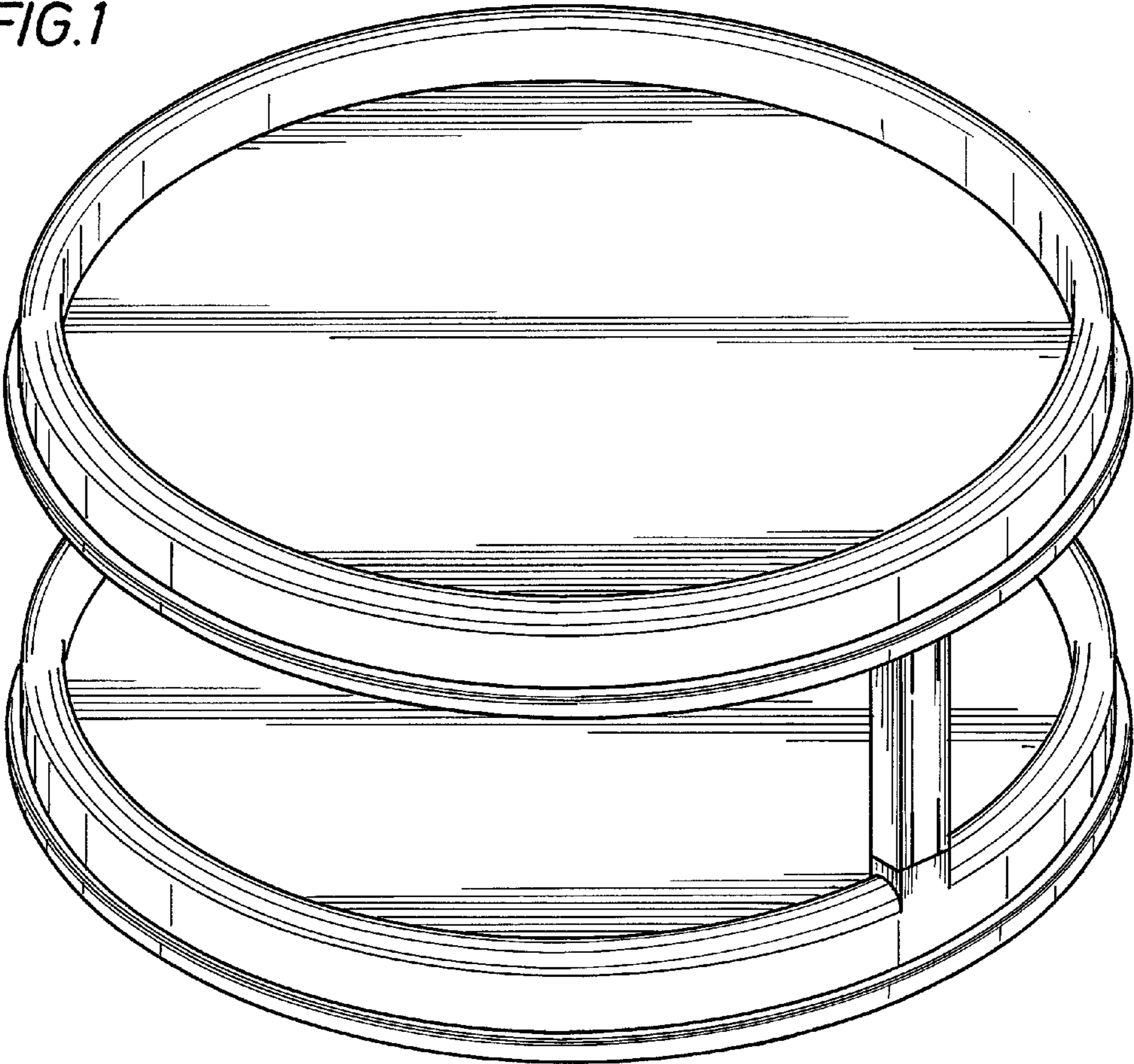
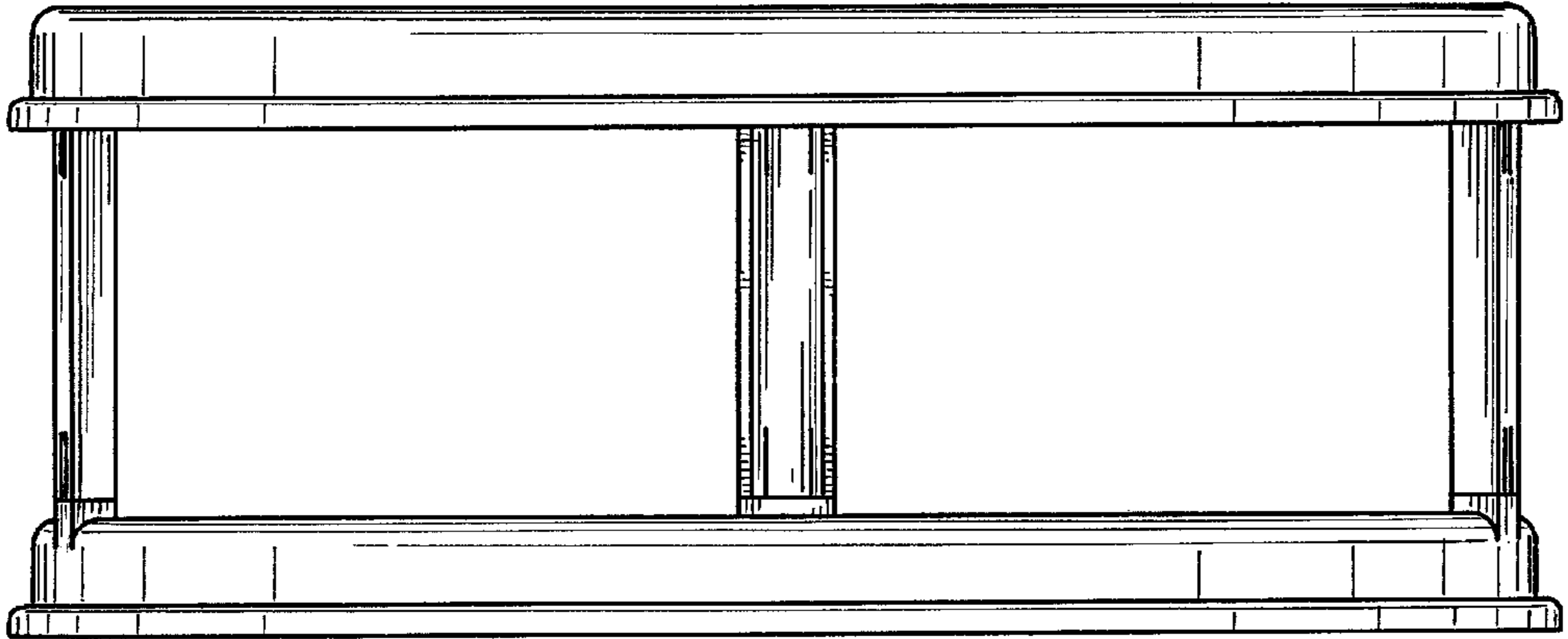
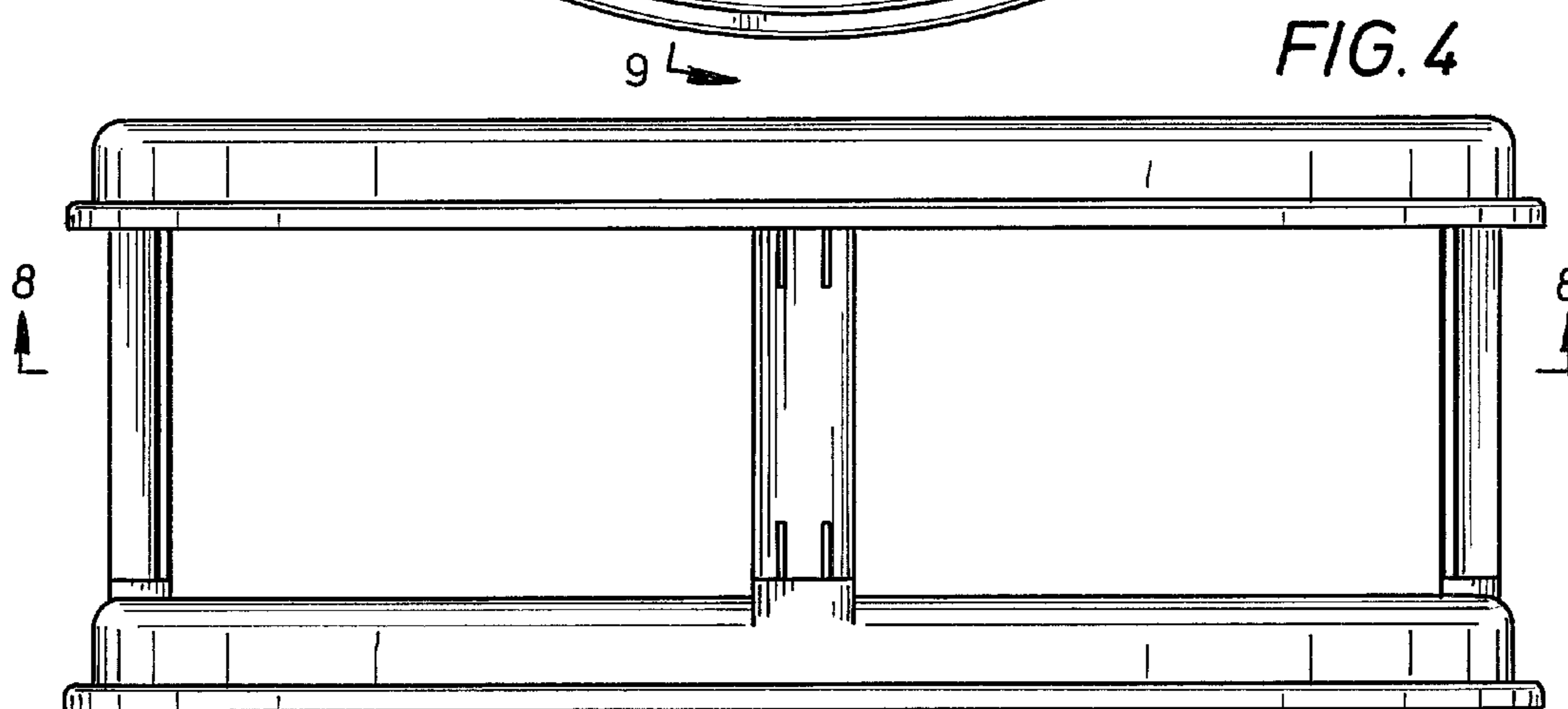
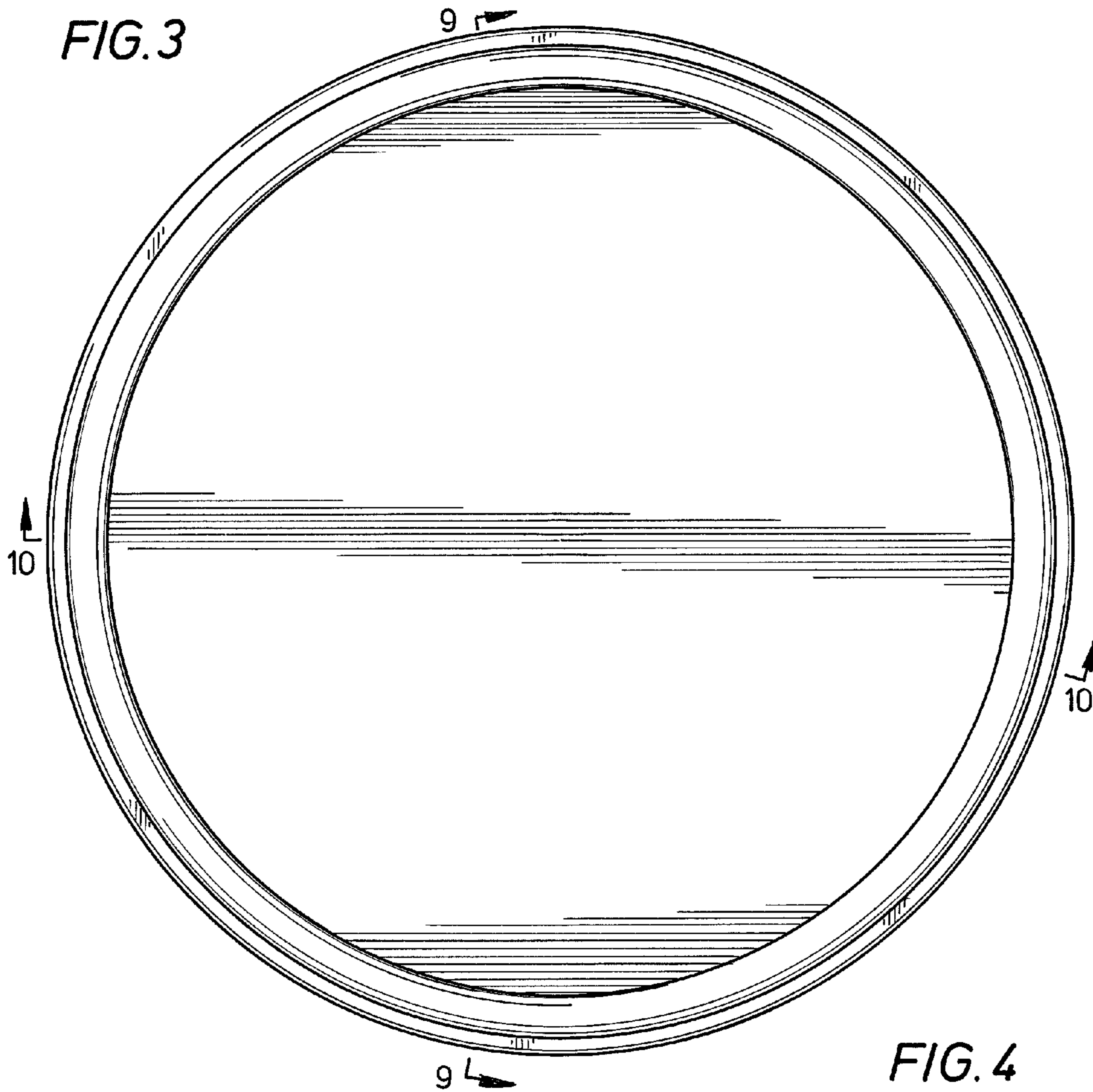


FIG. 2





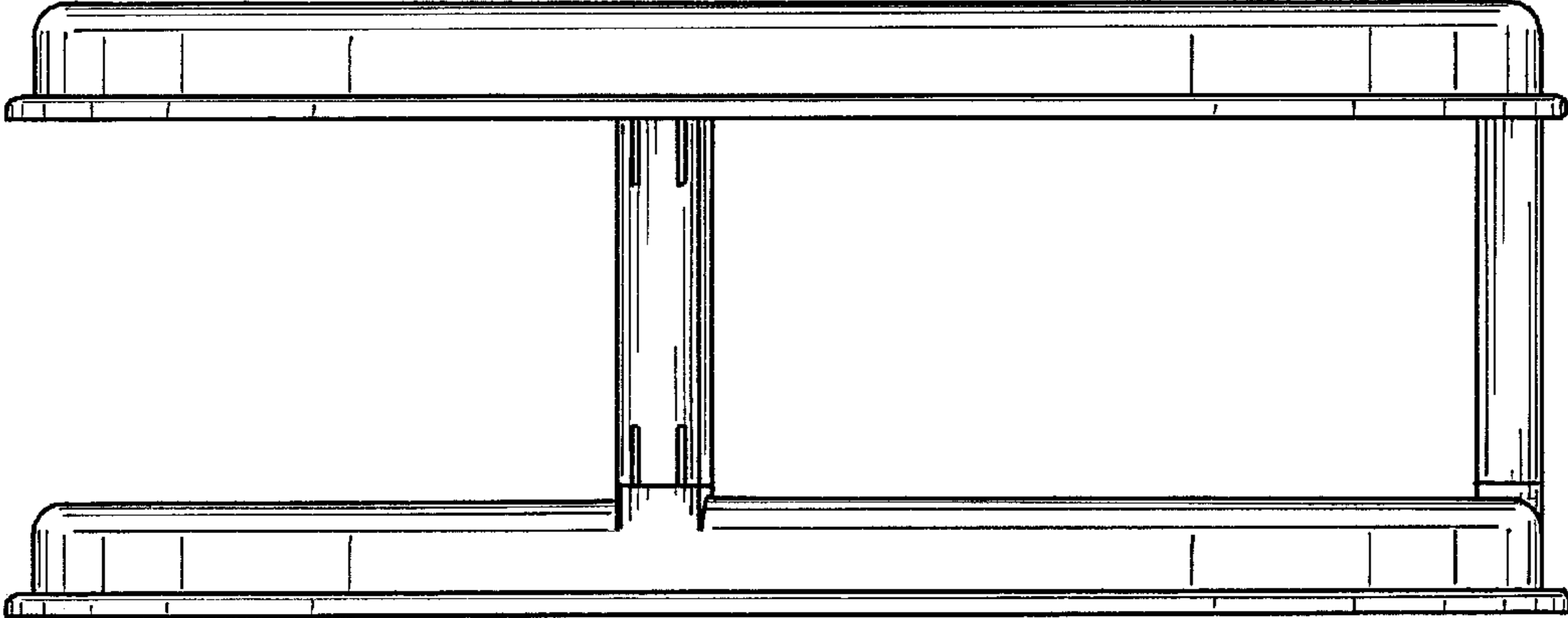


FIG. 5

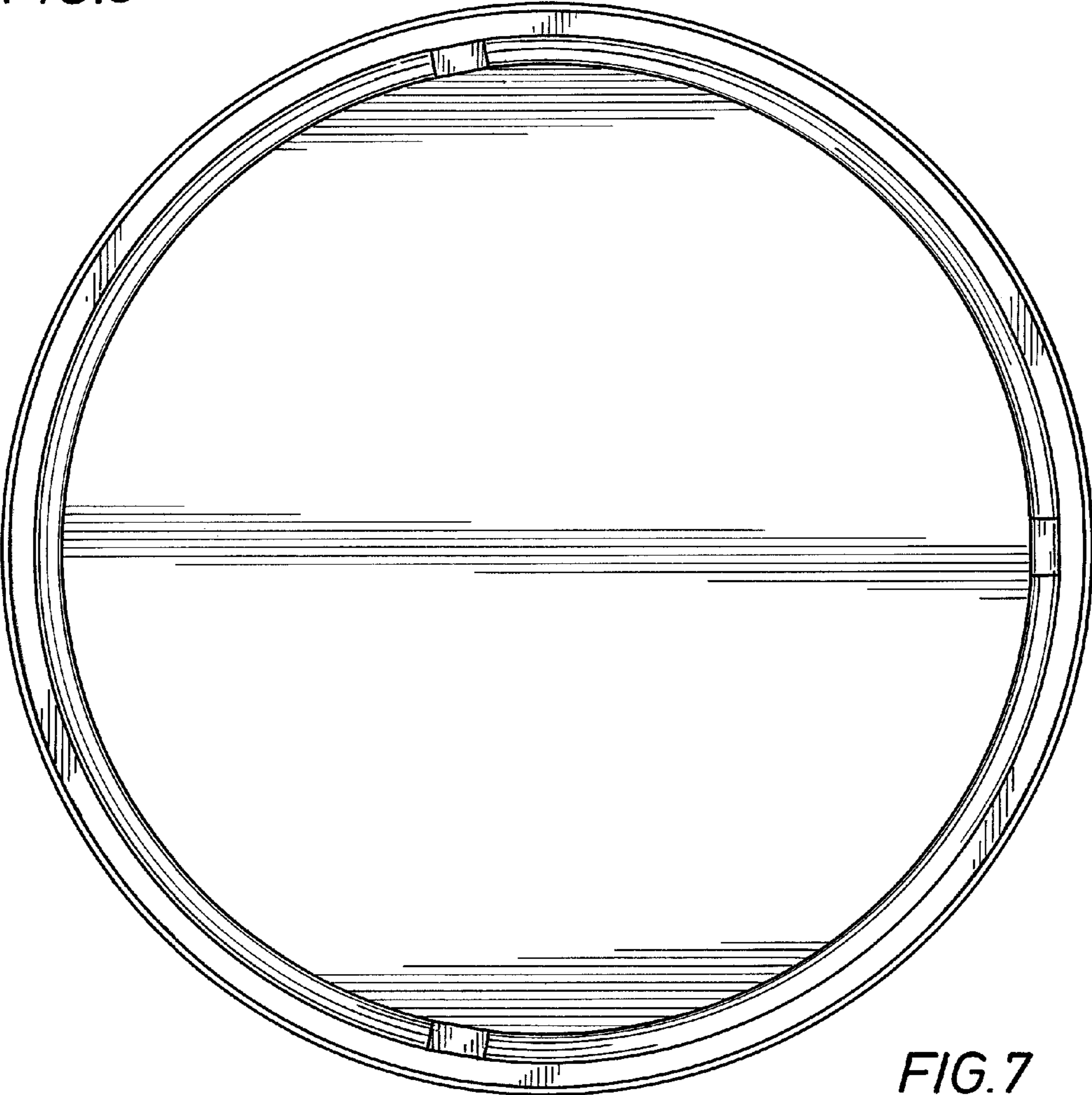


FIG. 7

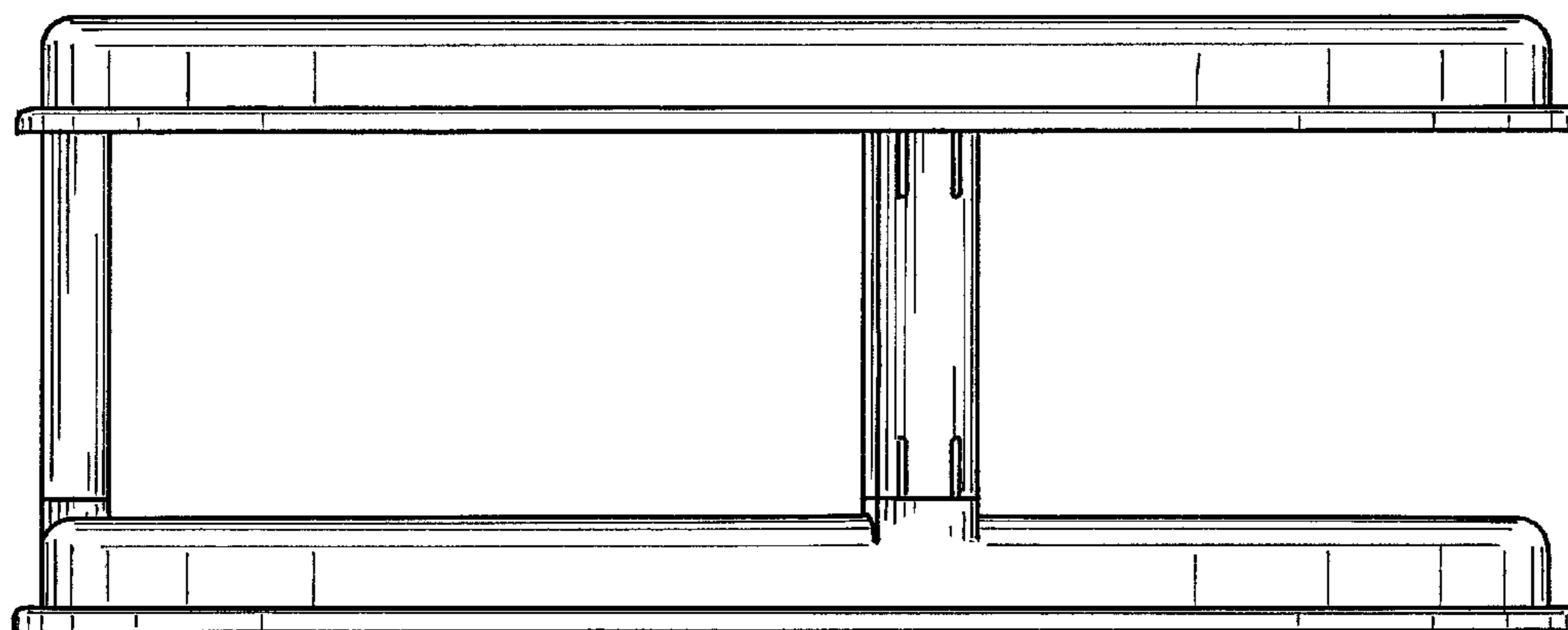


FIG. 6

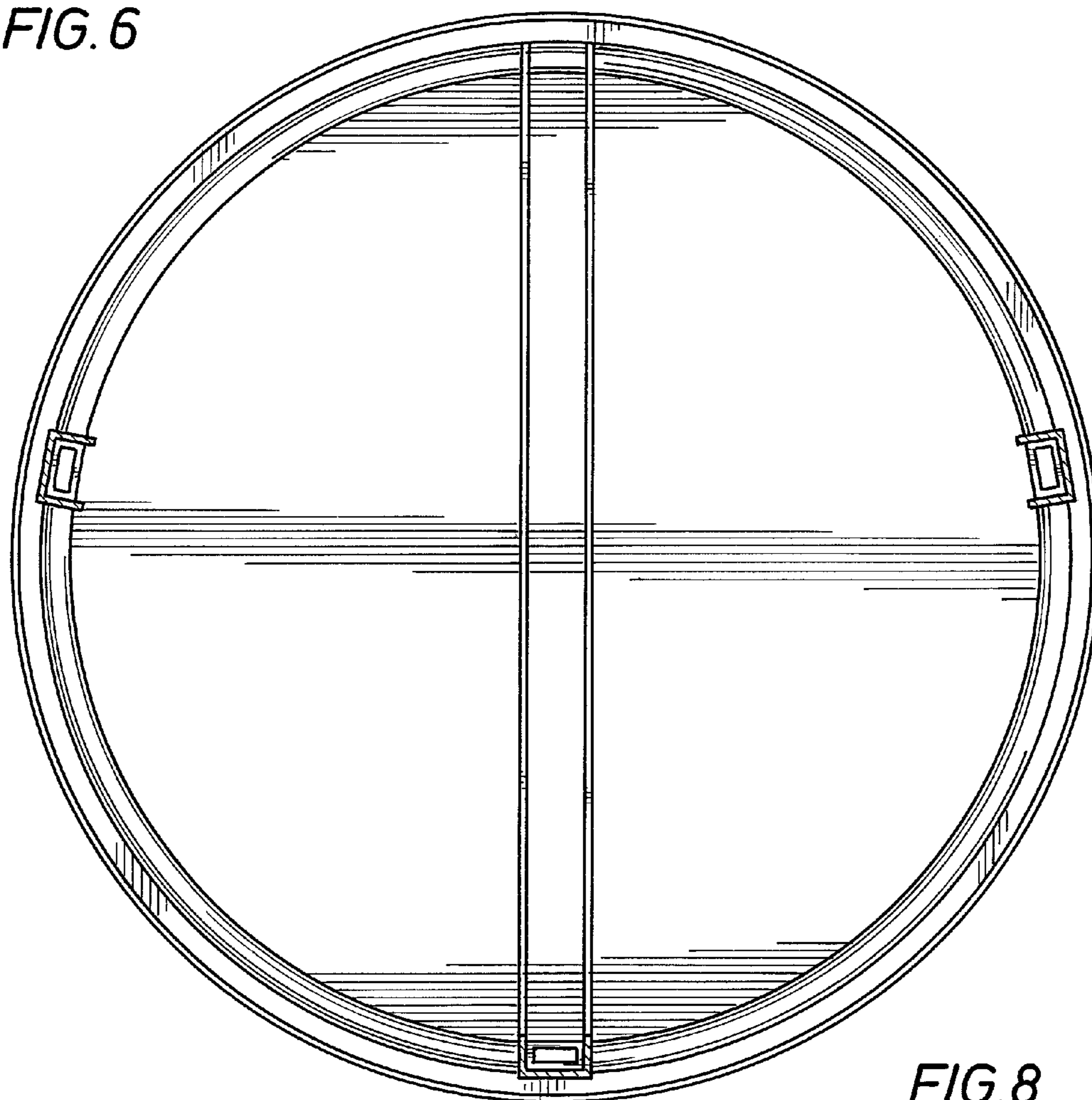
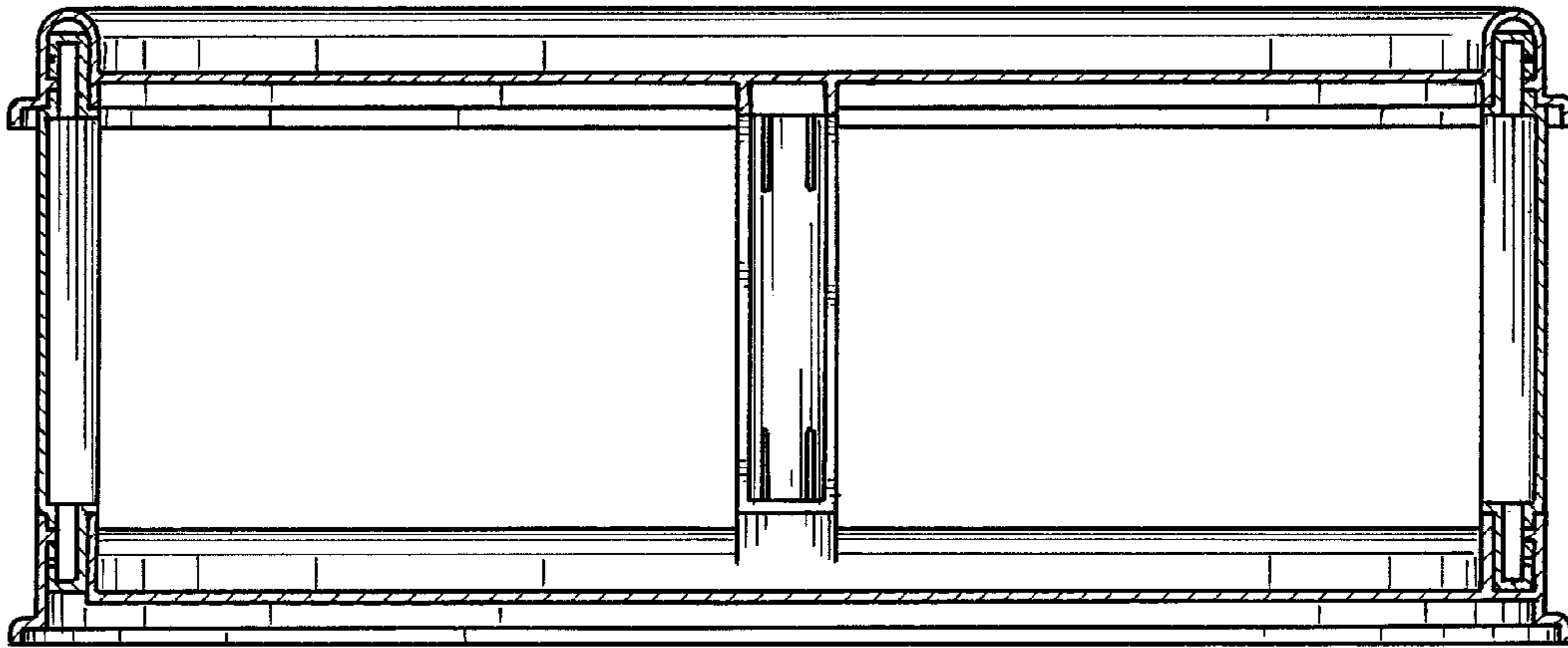


FIG. 8

*FIG. 9*



*FIG. 10*

