



US00D725957S

(12) **United States Design Patent**
Simpson

(10) **Patent No.:** **US D725,957 S**
(45) **Date of Patent:** **** Apr. 7, 2015**

(54) **POPCORN LID**

(71) Applicant: **Bric Simpson**, Eagle Mountain, UT
(US)

(72) Inventor: **Bric Simpson**, Eagle Mountain, UT
(US)

(**) Term: **14 Years**

(21) Appl. No.: **29/444,707**

(22) Filed: **Feb. 1, 2013**

(51) **LOC (10) CI.** **31-00**

(52) **U.S. Cl.**
USPC **D7/325**

(58) **Field of Classification Search**

CPC A23L 1/01; A23L 1/0128; A23L 1/10;
A23L 1/18; A23L 1/1802; A23L 1/1812;
A23L 1/1815; A23L 1/1817; A23L 1/217;
A23P 1/14; A23P 1/142; A23P 1/144; A23P
1/146; A23P 1/148; A47J 27/004; A47J
36/027; A47J 36/06; B65D 81/34; B65D
81/3407; B65D 81/3446; B65D 81/3453;
B65D 21/0219; B65D 43/0206; A21C 15/00;
A47G 19/26
USPC D7/323, 325, 337, 339, 346–347, 350.1,
D7/350.4, 354, 362, 391, 505, 602, 610,
D7/629, 392.1; 99/323.4–323.11; 119/452;
219/433, 441, 728–731, 734–735;
426/107, 113, 115, 241–243, 443, 449;
62/457.1; 206/508, 527; 220/23.89,
220/212.5, 801, 836

See application file for complete search history.

(56) **References Cited**

U.S. PATENT DOCUMENTS

2,756,793	A	7/1956	Tupper	
3,529,744	A	9/1970	Edwards et al.	
3,794,090	A	2/1974	Commisso	
3,981,401	A	9/1976	Blanchard	
4,206,845	A *	6/1980	Christian	206/508

(Continued)

OTHER PUBLICATIONS

Nordic Wear, Microwave Spatter Cover, Jan. 14, 2013.

(Continued)

Primary Examiner — Ricky Pham

(74) *Attorney, Agent, or Firm* — Workman Nydegger

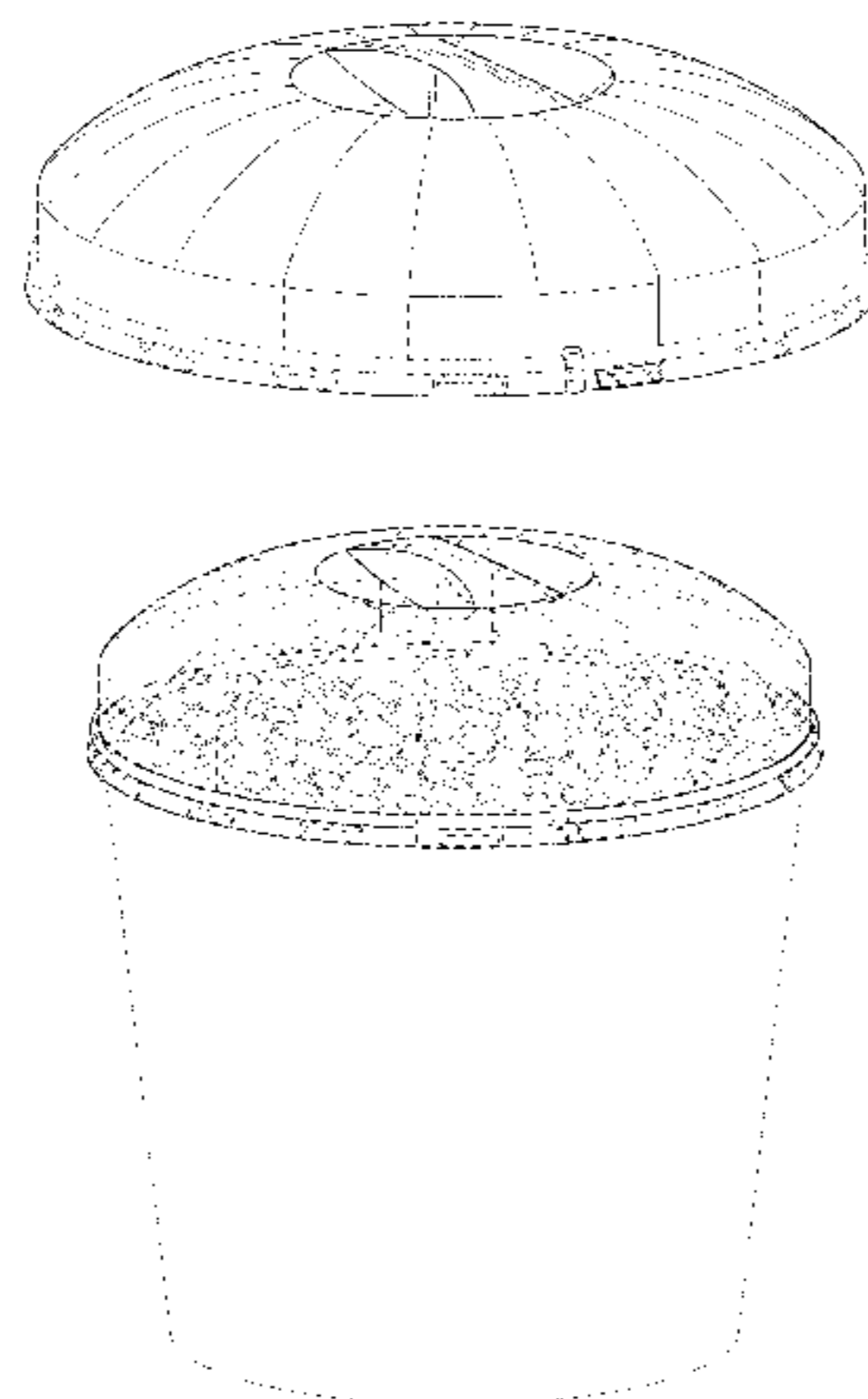
(57) **CLAIM**

An ornamental design for a popcorn lid, as shown and described.

DESCRIPTION

FIG. 1 is a facing perspective view of my design;
FIG. 2 is a top plan view thereof;
FIG. 3 is a bottom plan view thereof;
FIG. 4 is a side view thereof, the other sides being mirror images;
FIG. 5 is a facing perspective view of an alternative embodiment of my design;
FIG. 6 is a top plan view of the design of FIG. 5;
FIG. 7 is a bottom plan view of the design of FIG. 5;
FIG. 8 is a side view of the design of FIG. 5, the other sides being mirror images;
FIG. 9 is a perspective environmental view of the design of FIG. 5;
FIG. 10 is another perspective environmental view of the design of FIG. 5;
FIG. 11 is yet another perspective environmental view of the design of FIG. 5;
FIG. 12 is a facing perspective view of another alternative embodiment of my design;
FIG. 13 is a top plan view of the design of FIG. 12;
FIG. 14 is a side view of the design of FIG. 12, the other sides being mirror images; and,
FIG. 15 is a bottom plan view of the design of FIG. 12.
Objects shown in broken lines are shown for environmental purposes only and form no part of the claimed design.

1 Claim, 11 Drawing Sheets



(56)

References Cited

U.S. PATENT DOCUMENTS

4,360,119 A 11/1982 Olivo
 4,413,748 A 11/1983 Kessler et al.
 4,472,440 A 9/1984 Bank
 D281,137 S * 10/1985 Cesaroni D7/325
 D384,554 S * 10/1997 Ancona et al. D7/505
 D405,651 S * 2/1999 Schmidt D7/610
 6,397,782 B1 * 6/2002 Cope et al. 119/452
 6,581,795 B1 * 6/2003 Schulein et al. 220/212.5
 D479,952 S * 9/2003 Zimmerman D7/610
 D484,005 S * 12/2003 Levien D7/610
 D508,378 S * 8/2005 Bertulis D7/629
 D521,796 S * 5/2006 Bertulis D7/325
 D527,227 S * 8/2006 Bertulis D7/629
 D578,336 S * 10/2008 Kim D7/354
 7,464,831 B2 * 12/2008 Aiken 220/801
 D588,866 S * 3/2009 Ho D7/391
 7,614,518 B2 * 11/2009 Barber 220/23.89
 D609,979 S * 2/2010 Soibel et al. D7/629

D614,453 S * 4/2010 Curtin et al. D7/629
 D626,790 S 11/2010 Gibson et al.
 D628,021 S * 11/2010 Curtin D7/629
 D642,011 S * 7/2011 Seager D7/391
 D680,362 S * 4/2013 Cursio et al. D7/325
 D682,610 S * 5/2013 Carder et al. D7/392.1
 D701,422 S * 3/2014 Tai D7/391
 8,844,764 B2 * 9/2014 Curtin et al. 220/836
 8,857,209 B2 * 10/2014 Wang 62/457.1
 2005/0000847 A1 * 1/2005 McNeeley 206/527
 2011/0274804 A1 * 11/2011 Barrows et al. 426/449

OTHER PUBLICATIONS

Garret Ellison, "Plastic popcorn lid made in Grand Rapids shaking up theater concessions across the country", article Aug. 7, 2013, MLive, Michigan.
 U.S. Appl. No. 13/972,406, mailed Oct. 6, 2014, Non Final Office Action.

* cited by examiner

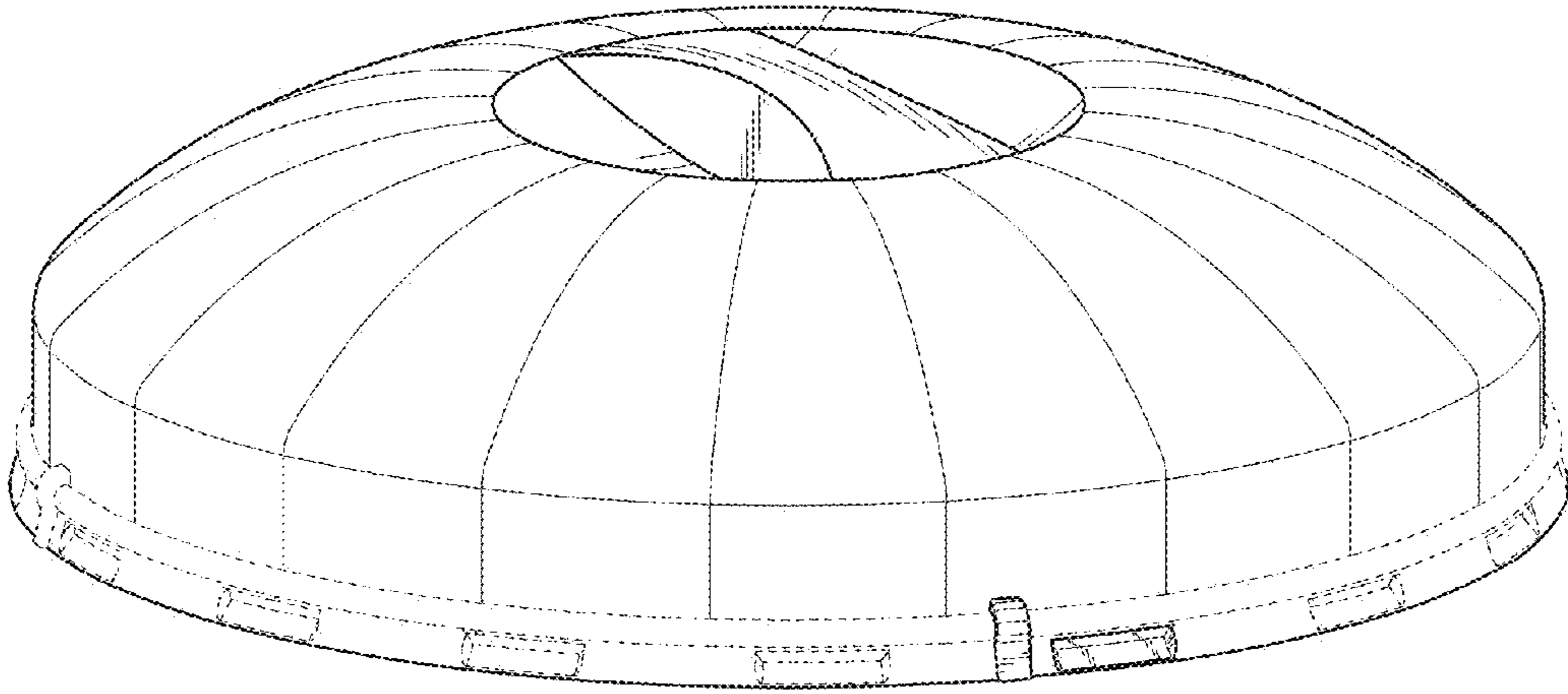


FIG. 1

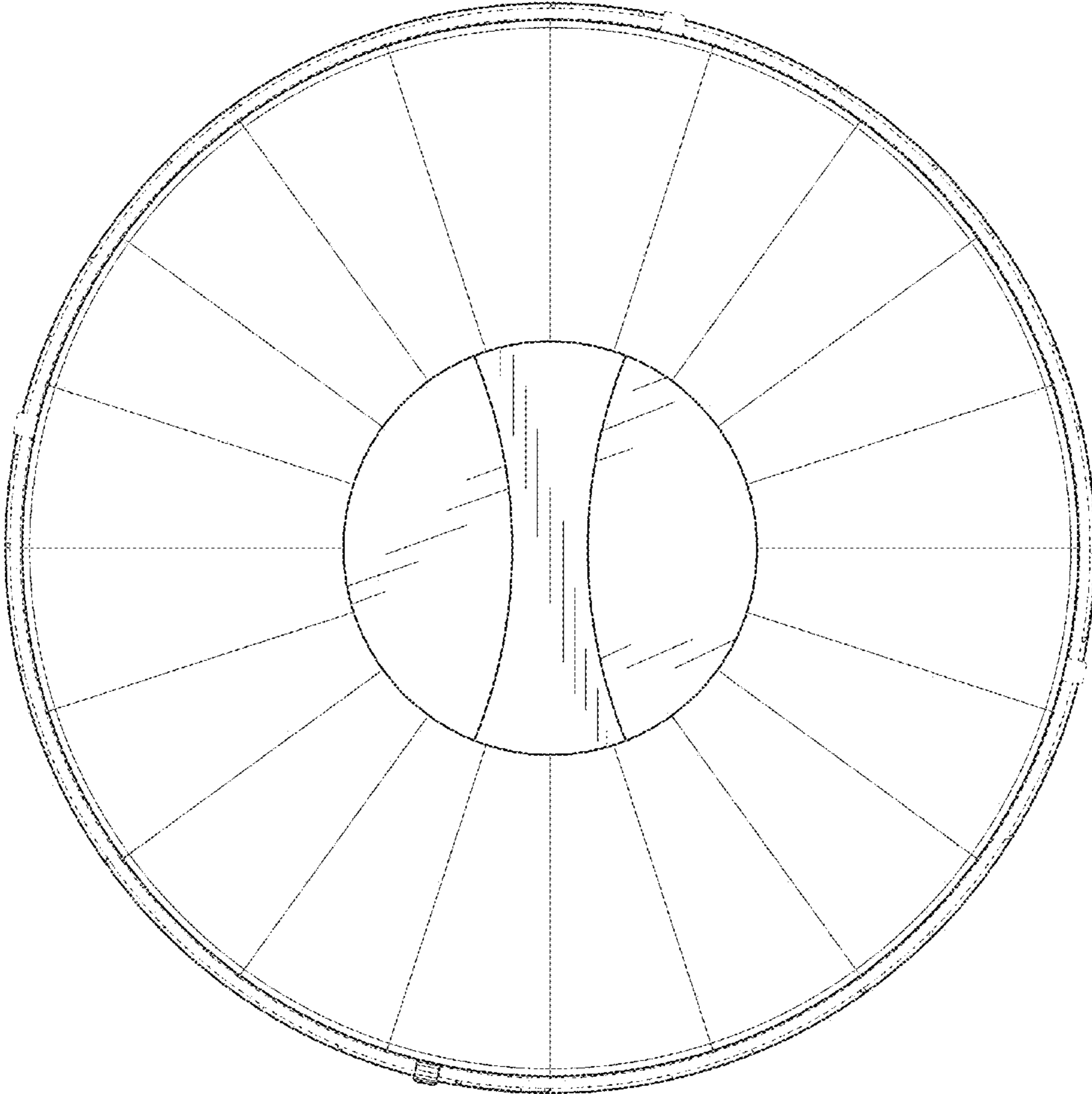


FIG. 2

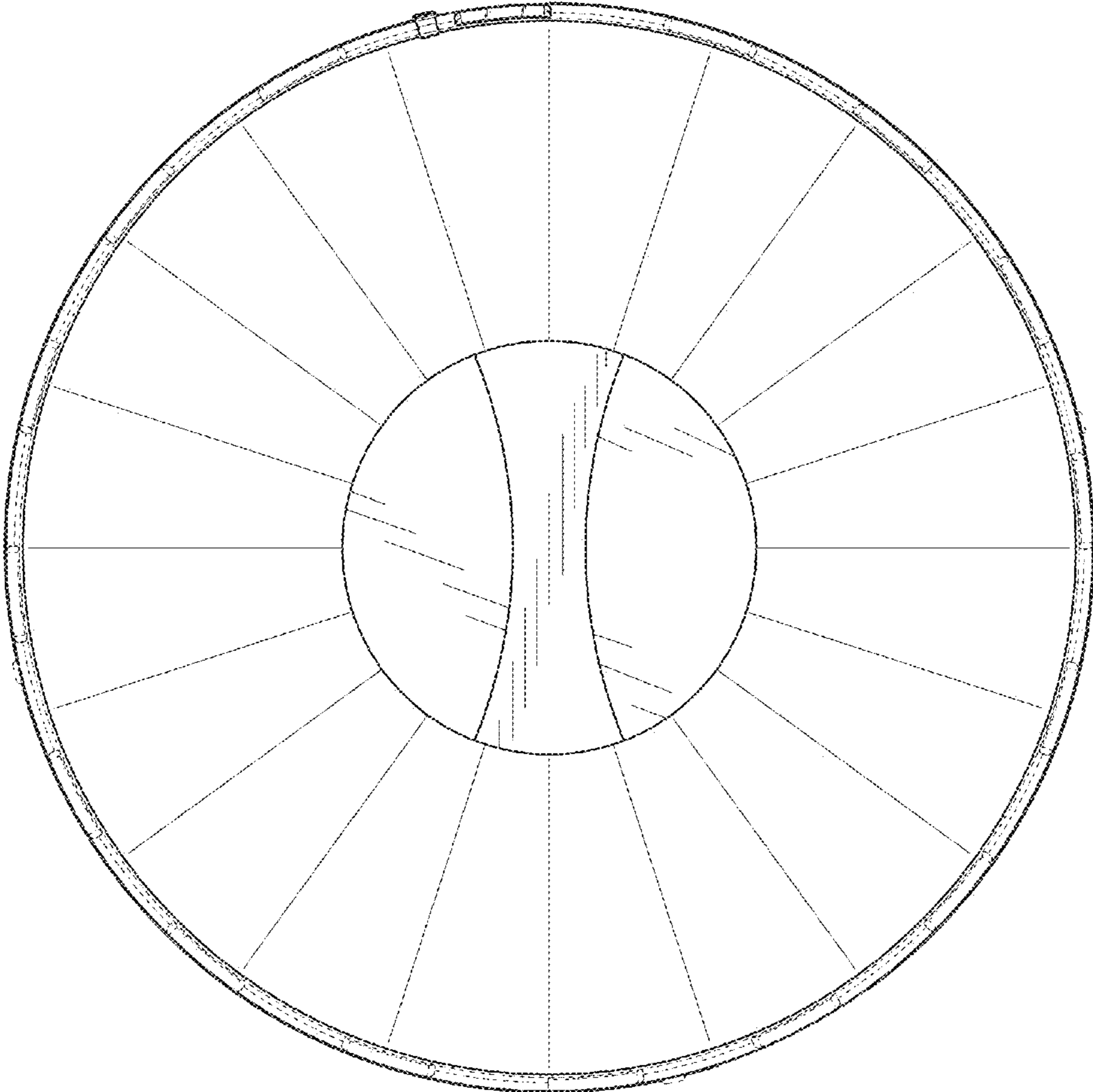


FIG. 3

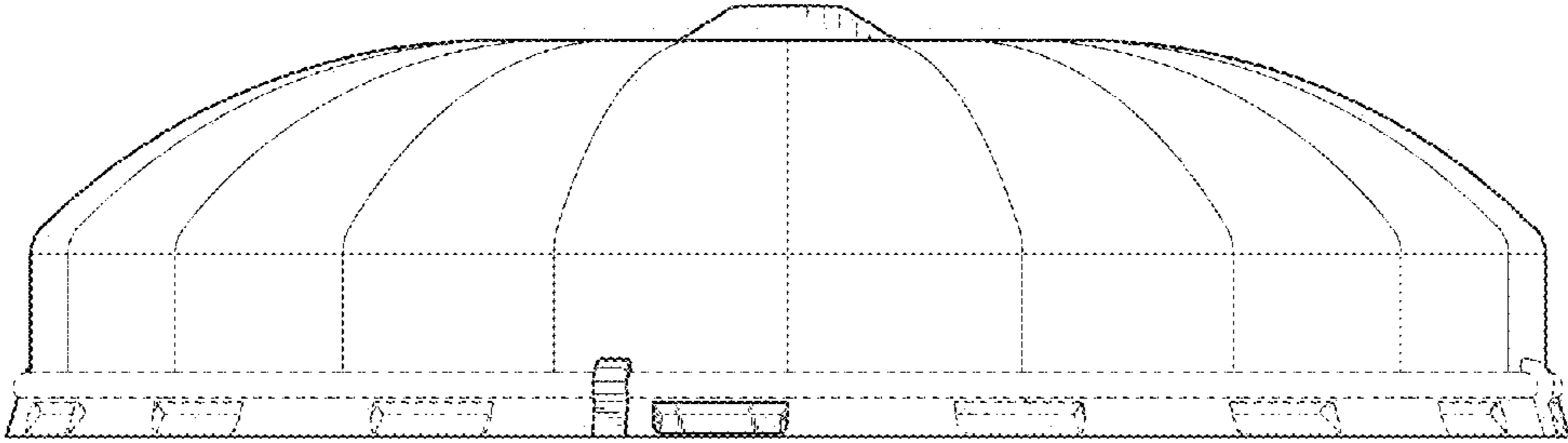


FIG. 4

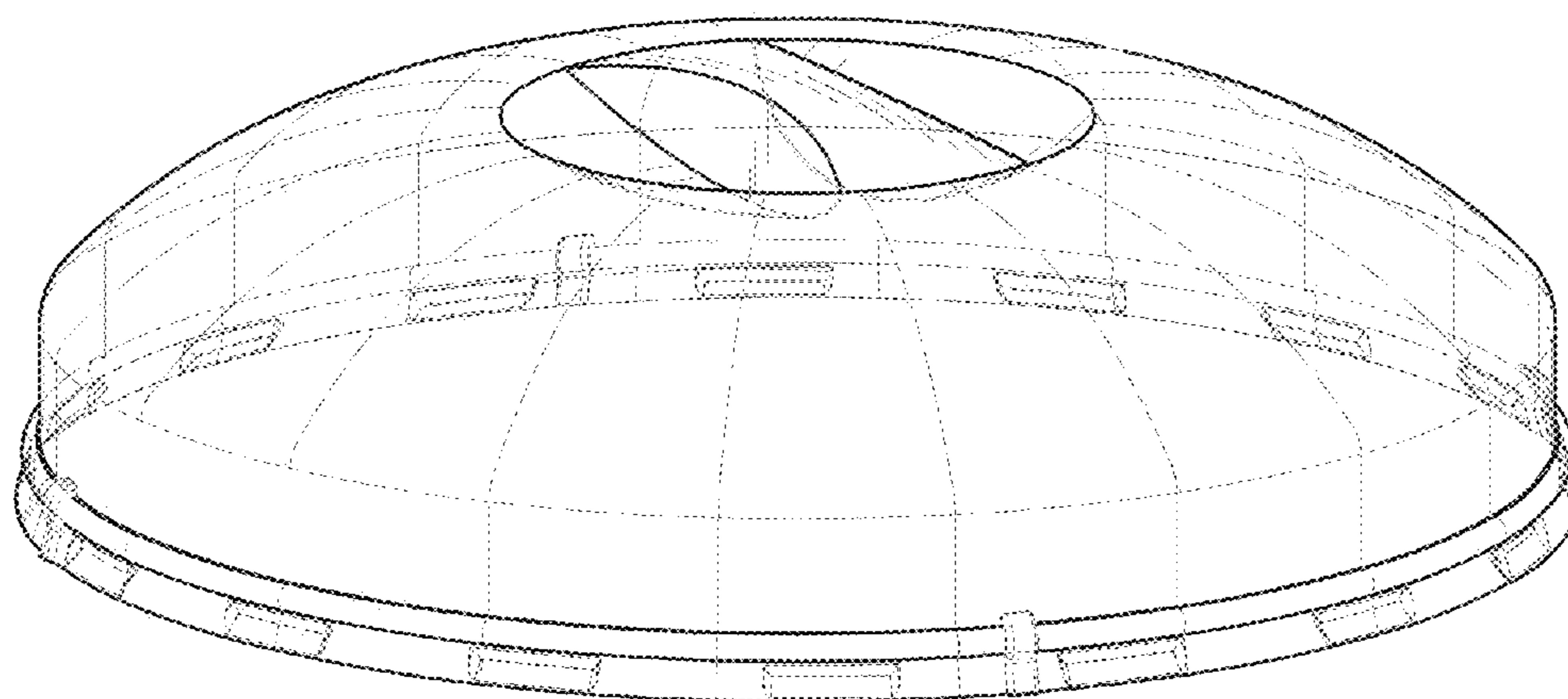


FIG. 5

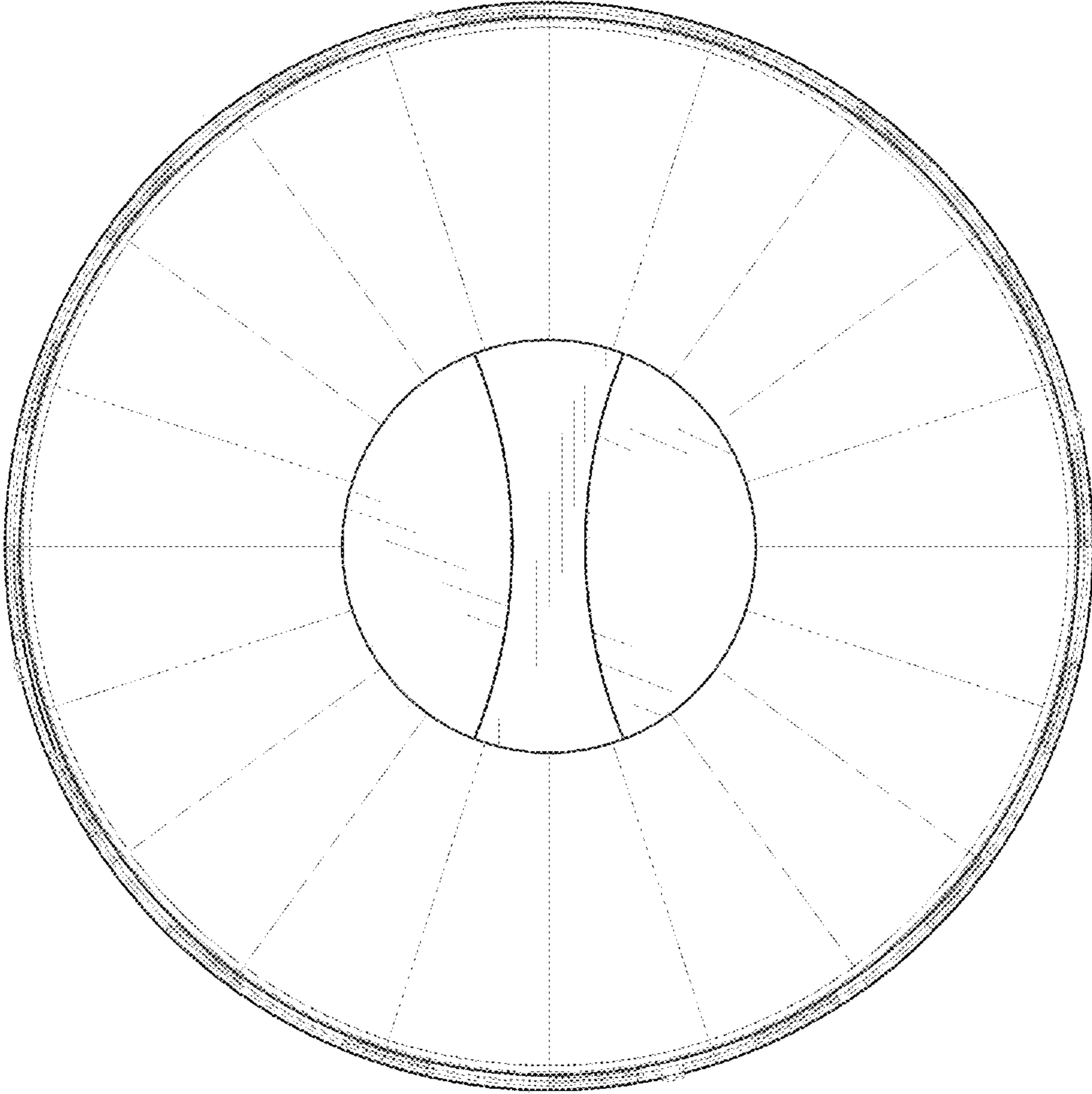


FIG. 6

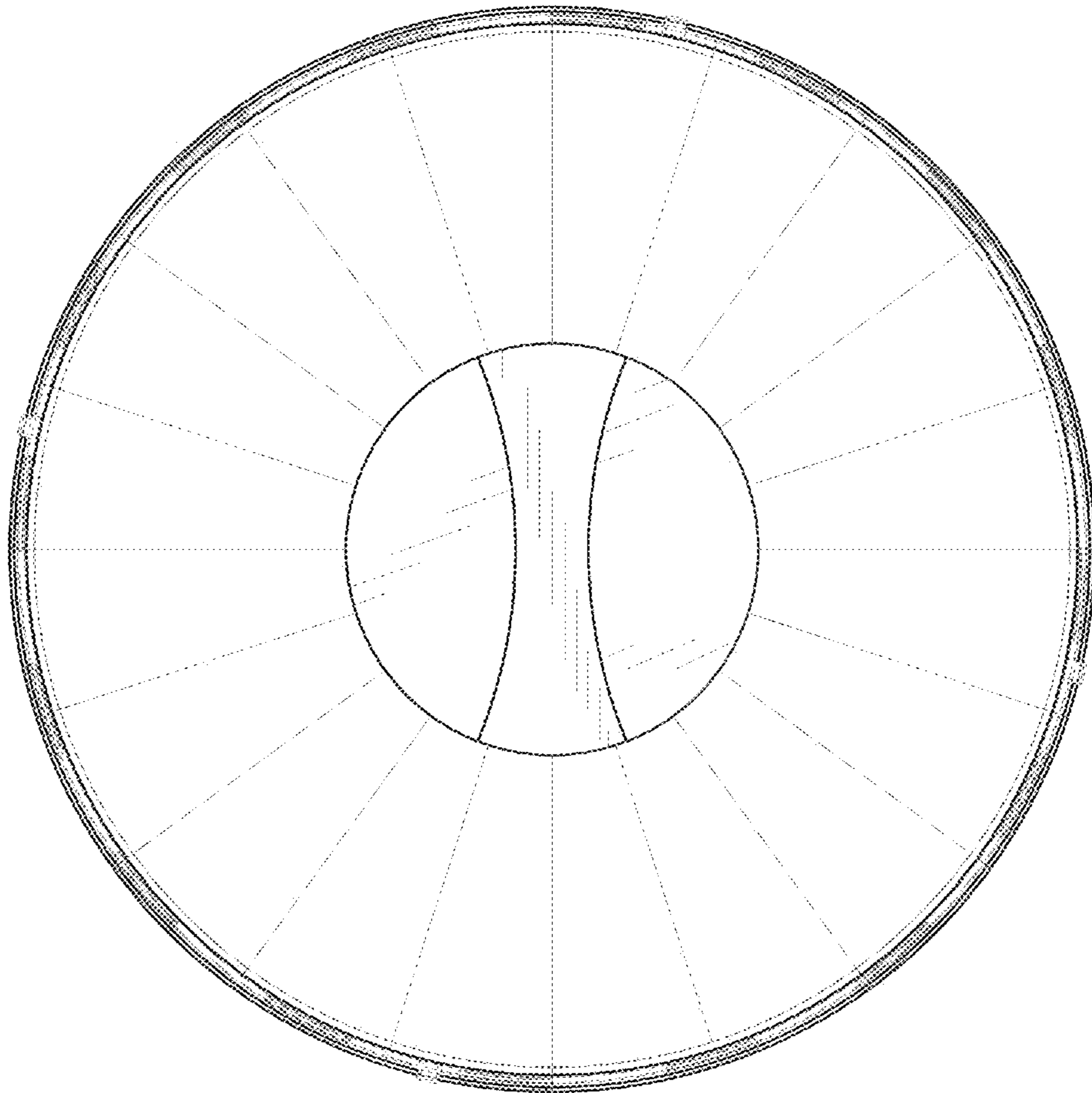


FIG. 7

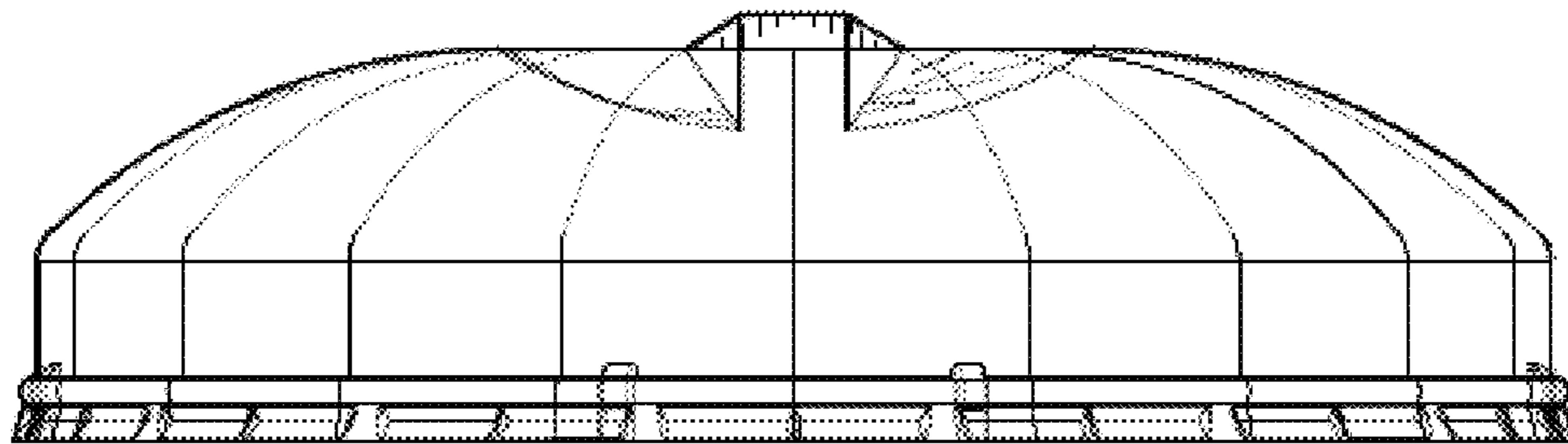


FIG. 8

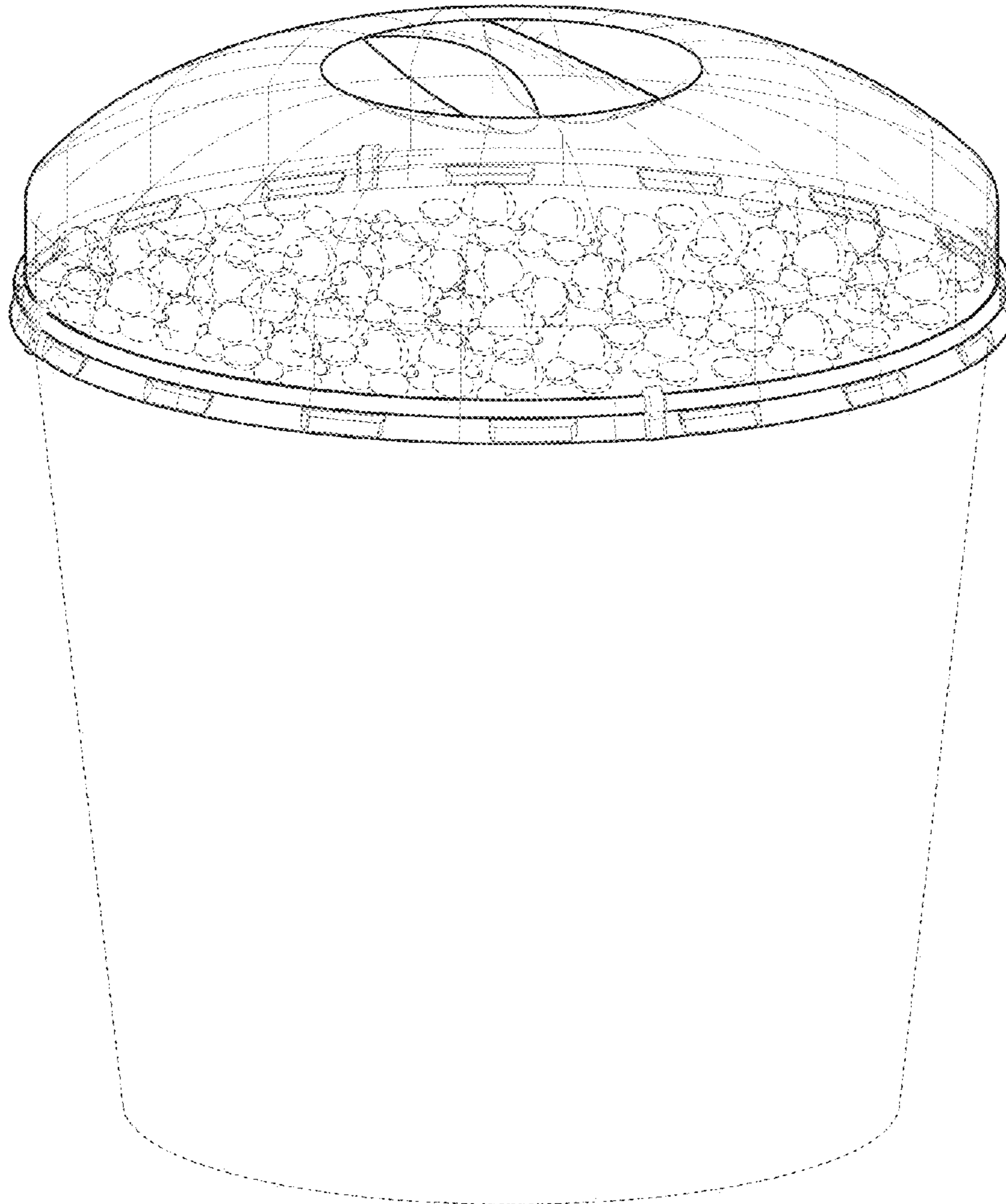


FIG. 9

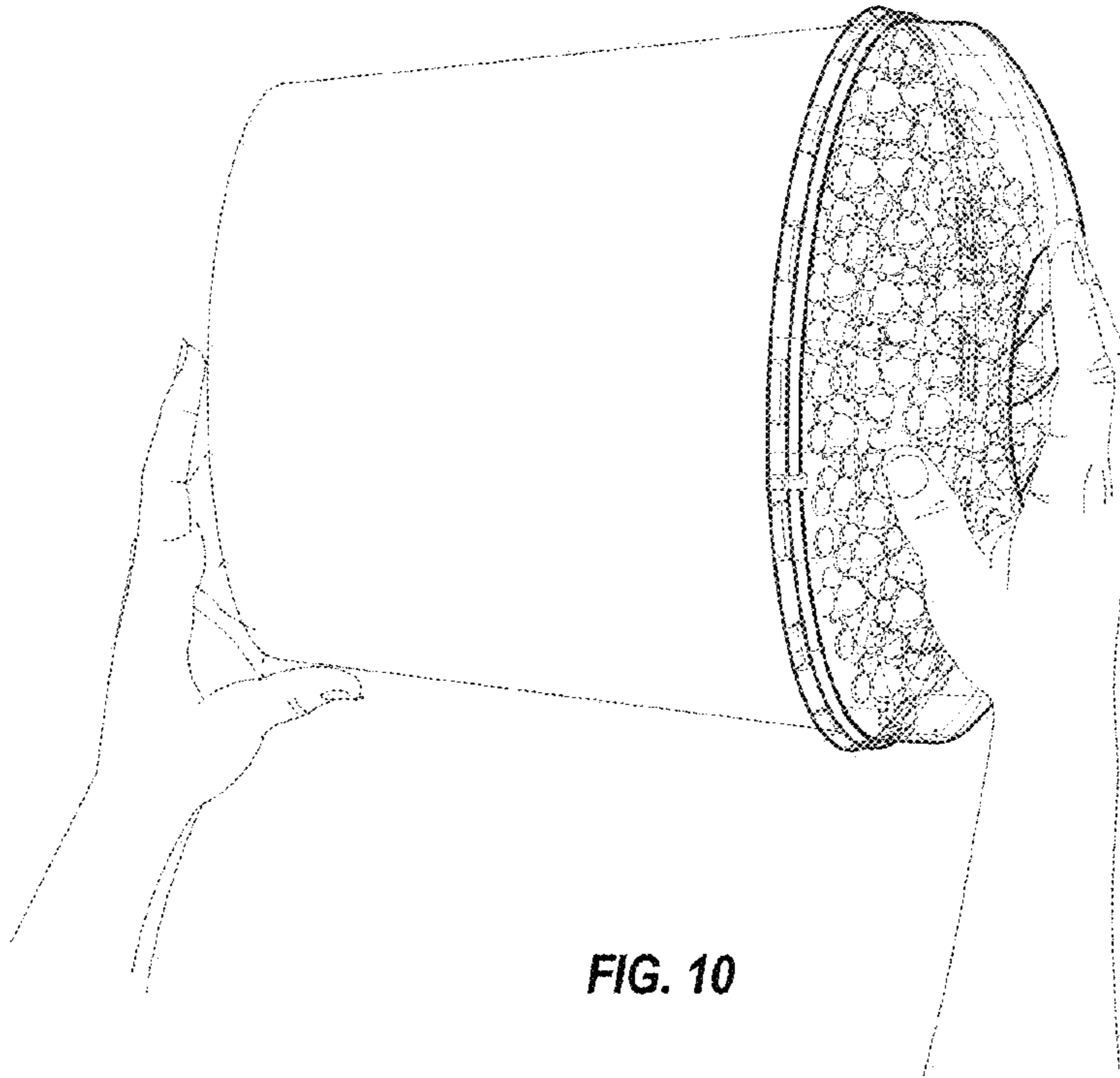


FIG. 10

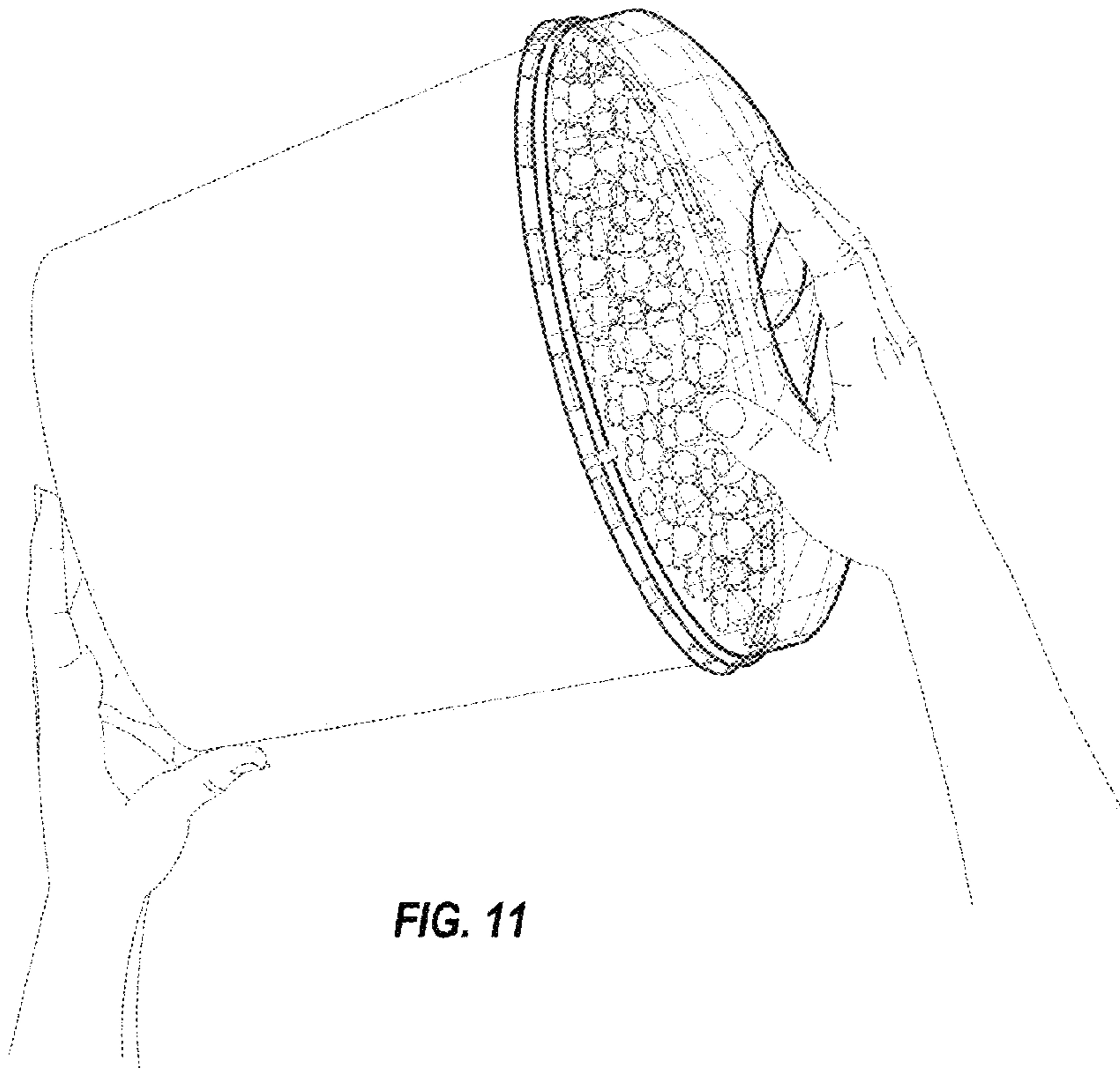


FIG. 11

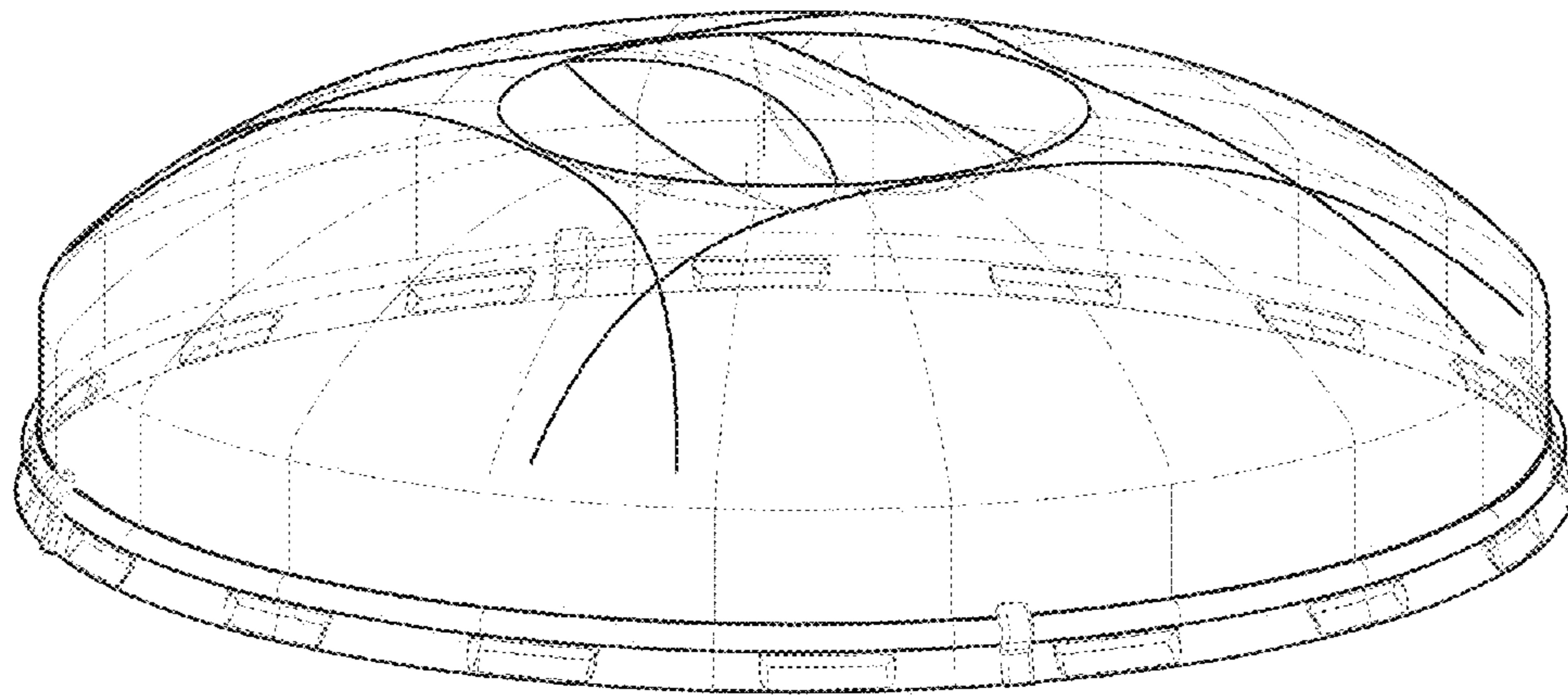


FIG. 12

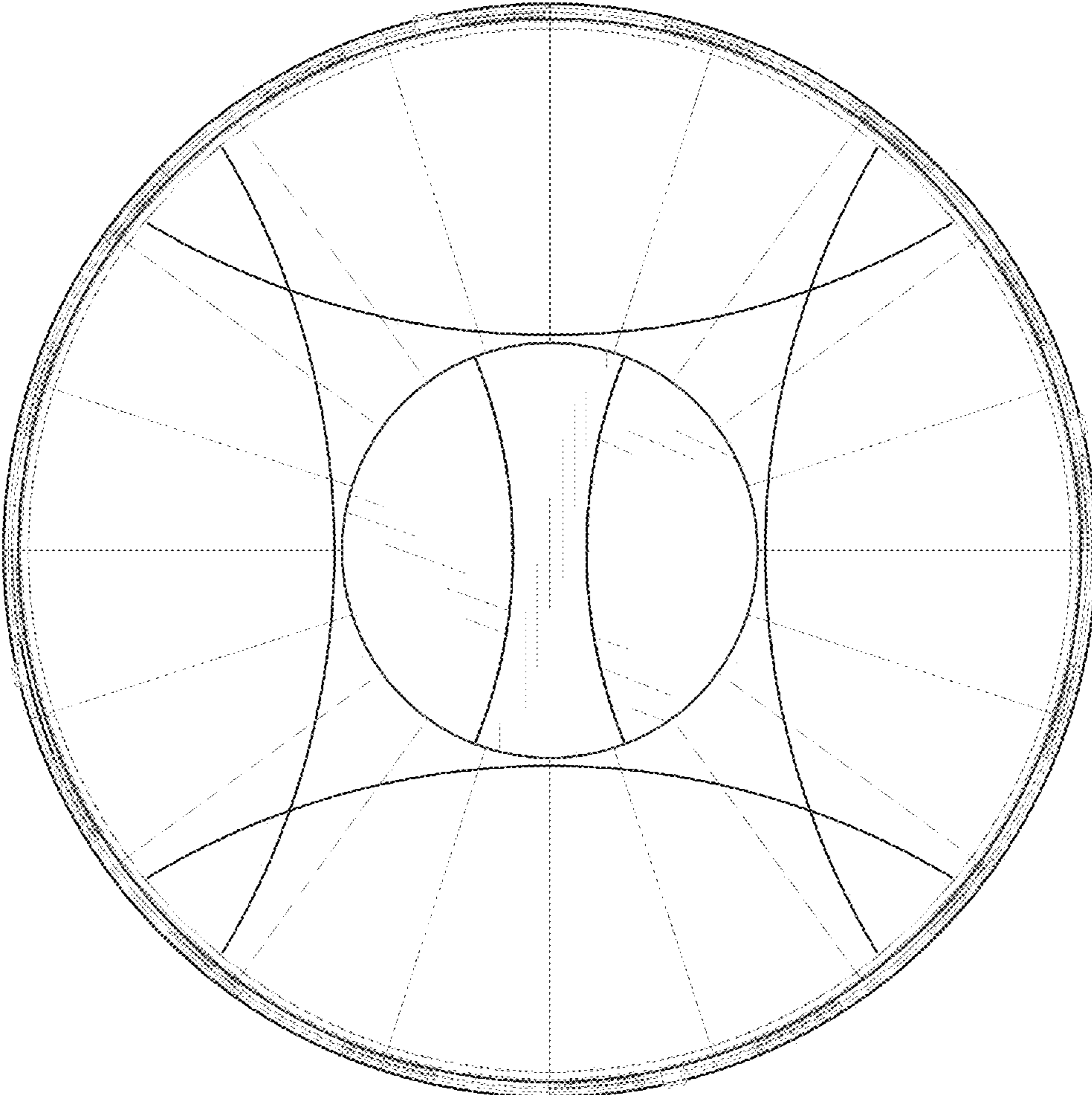


FIG. 13

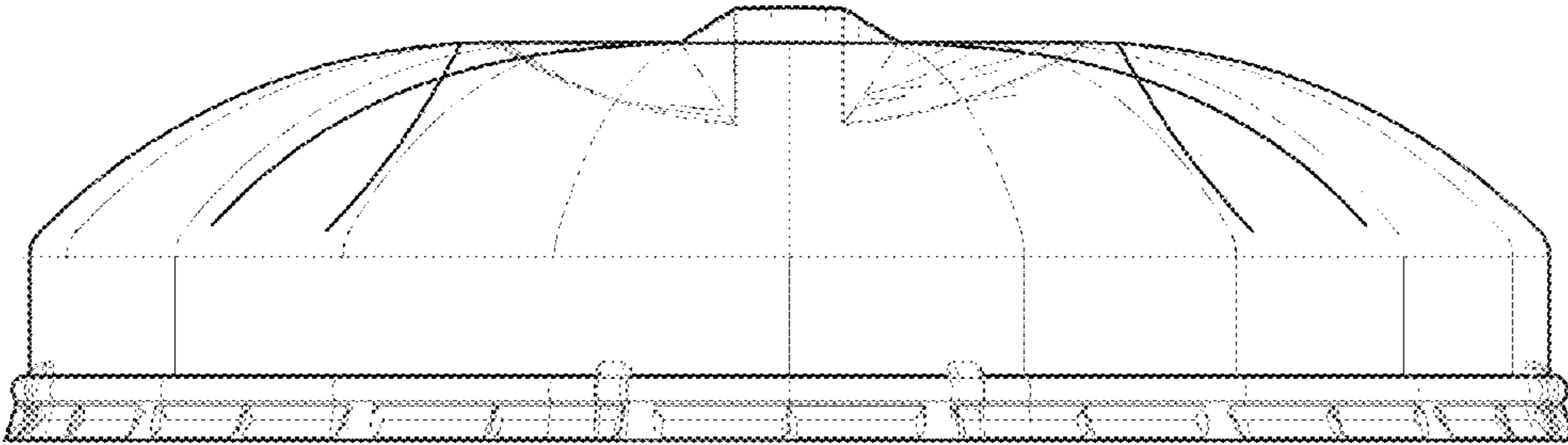


FIG. 14

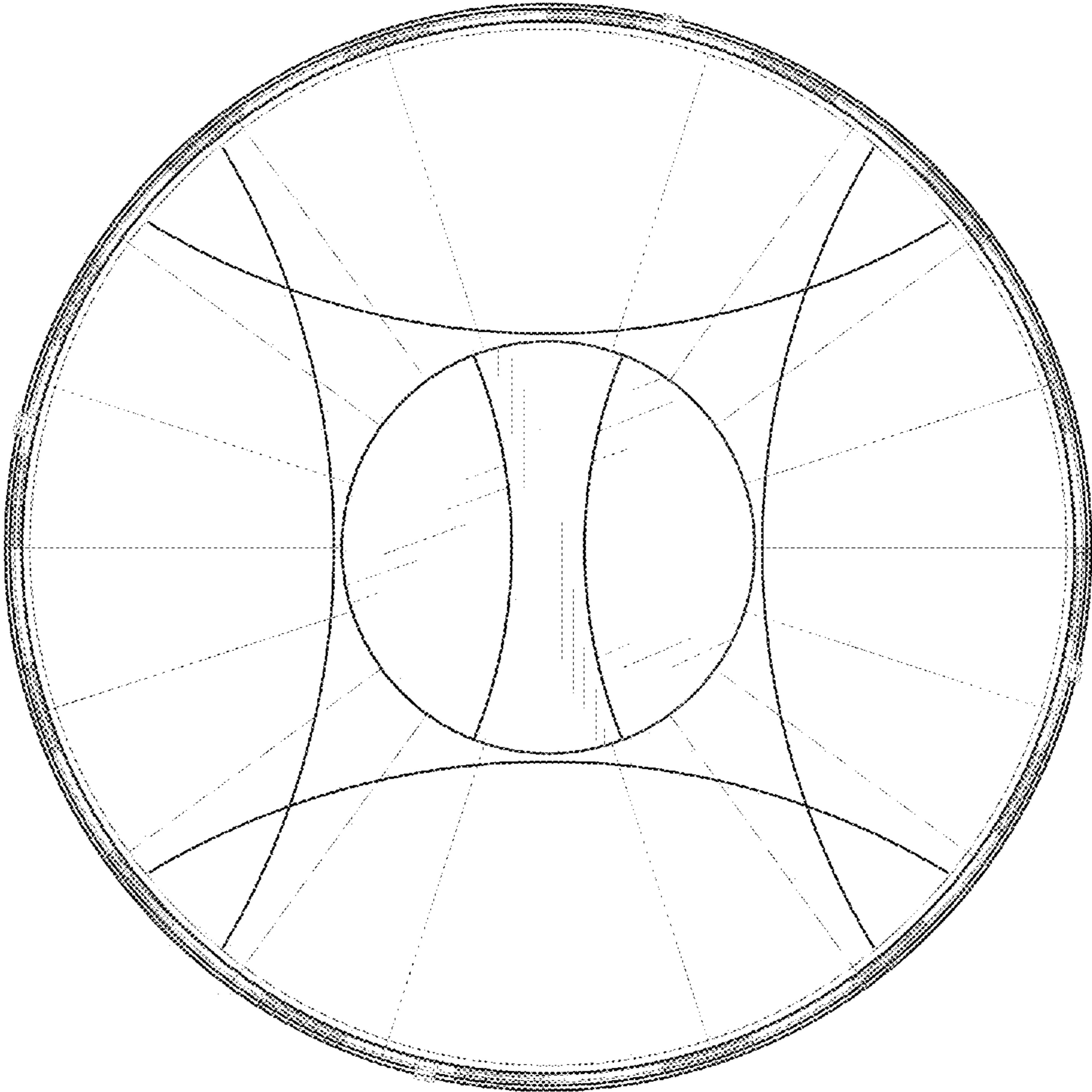


FIG. 15