



US00D725956S

(12) **United States Design Patent**  
**Jin**

(10) **Patent No.:** **US D725,956 S**  
(45) **Date of Patent:** **\*\* Apr. 7, 2015**

- (54) **KETTLE**
- (71) Applicant: **H & H Asia Ltd.**, Taipei (TW)
- (72) Inventor: **Wu Jin**, Ningbo (CN)
- (73) Assignee: **H & H Asia Ltd.**, Taipei (TW)
- (\*\*) Term: **14 Years**
- (21) Appl. No.: **29/480,914**
- (22) Filed: **Jan. 30, 2014**
- (51) **LOC (10) Cl.** ..... **07-01**
- (52) **U.S. Cl.**  
USPC ..... **D7/321; D7/312; D7/322**
- (58) **Field of Classification Search**  
USPC ..... D7/316-319, 300, 600, 598, 320-322,  
D7/312; 222/465.1, 494, 313; 220/318,  
220/713, 912, 293; D23/209; 99/285, 279  
See application file for complete search history.

D502,356 S *	3/2005	Smaldone	.....	D7/322
D504,273 S *	4/2005	Ancona	.....	D7/322
D529,328 S *	10/2006	Schmidt et al.	.....	D7/322
D558,509 S *	1/2008	Bodum	.....	D7/321
D568,668 S *	5/2008	Smaldone	.....	D7/322
D573,397 S *	7/2008	Smaldone	.....	D7/322
D574,658 S *	8/2008	Grund et al.	.....	D7/322
D574,659 S *	8/2008	Lebowitz	.....	D7/322
D574,660 S *	8/2008	Grund et al.	.....	D7/322
D626,780 S *	11/2010	Gatto	.....	D7/322
D638,248 S *	5/2011	Lebowitz et al.	.....	D7/322
D683,997 S *	6/2013	Sehdev	.....	D7/322
D714,582 S *	10/2014	Norland et al.	.....	D7/322

\* cited by examiner

*Primary Examiner* — Marianne Pandozzi  
(74) *Attorney, Agent, or Firm* — Baker & McKenzie LLP

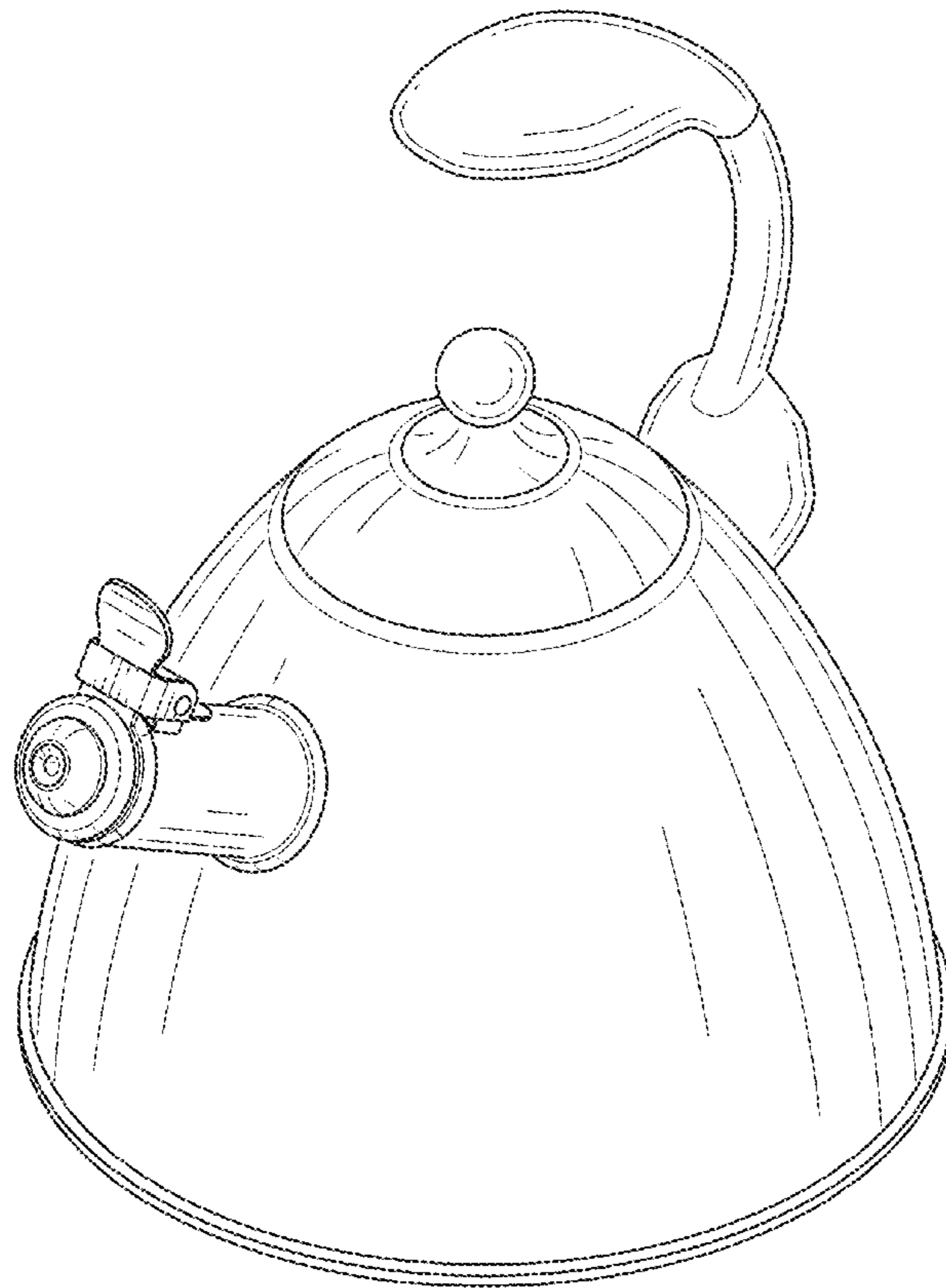
(57) **CLAIM**  
The ornamental design for a kettle, as shown and described.

**DESCRIPTION**

FIG. 1 is a perspective view of a kettle in accordance with my design;  
FIG. 2 is a front view of the kettle shown in FIG. 1;  
FIG. 3 is a back view of the kettle shown in FIG. 1;  
FIG. 4 is a side view of the kettle shown in FIG. 1;  
FIG. 5 is an opposite side view of the kettle shown in FIG. 1;  
FIG. 6 is a top view of the kettle shown in FIG. 1; and,  
FIG. 7 is a bottom view of the kettle shown in FIG. 1.

**1 Claim, 5 Drawing Sheets**

- (56) **References Cited**  
U.S. PATENT DOCUMENTS  
D288,890 S \* 3/1987 Lebowitz ..... D7/322  
D336,006 S \* 6/1993 Lebowitz ..... D7/322  
D360,101 S \* 7/1995 Lee ..... D7/322  
5,441,039 A \* 8/1995 Yeh ..... 126/388.1  
D407,943 S \* 4/1999 Chen ..... D7/322  
D442,015 S \* 5/2001 Doret, Jr. .... D7/322



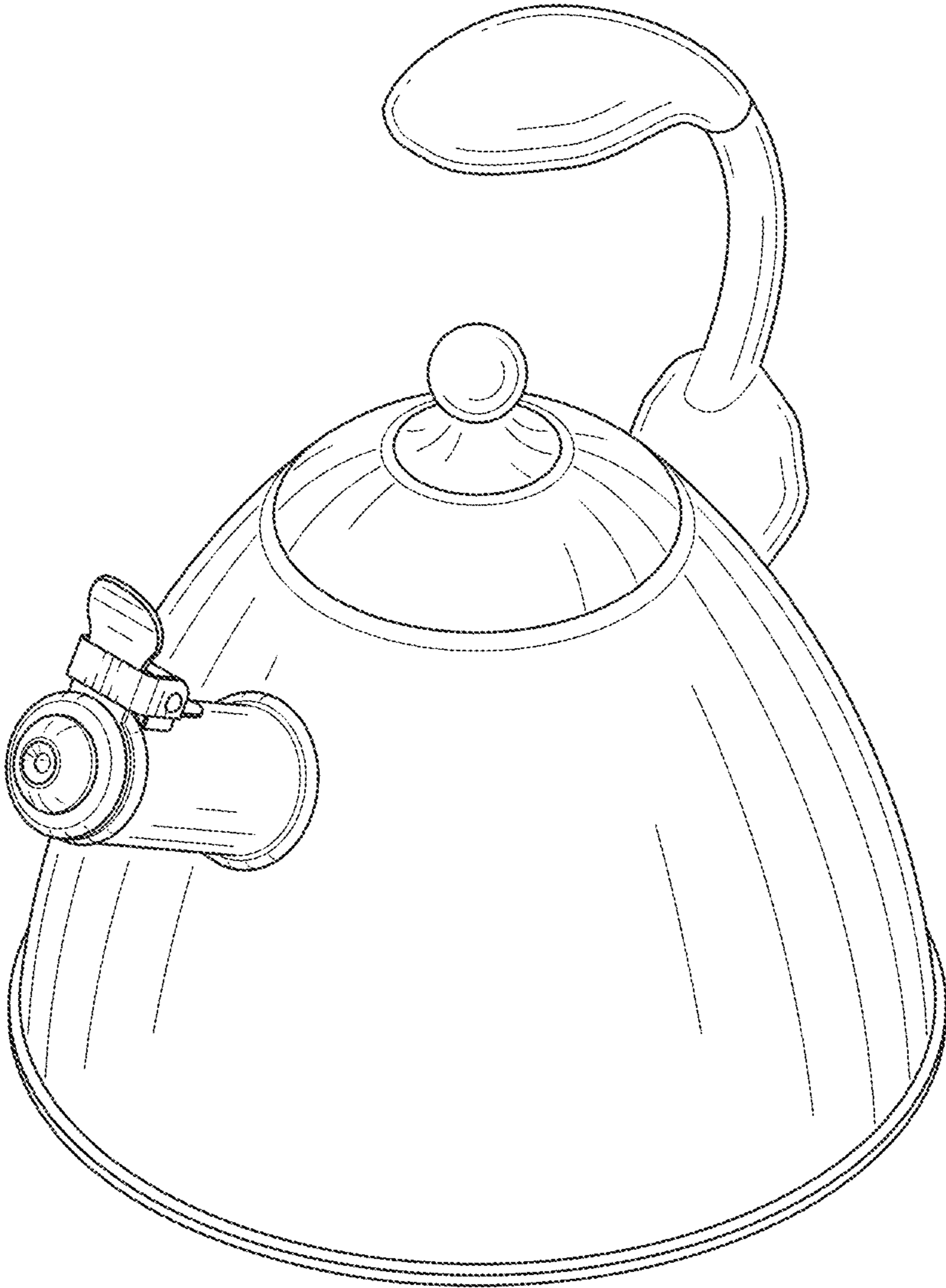


FIG. 1

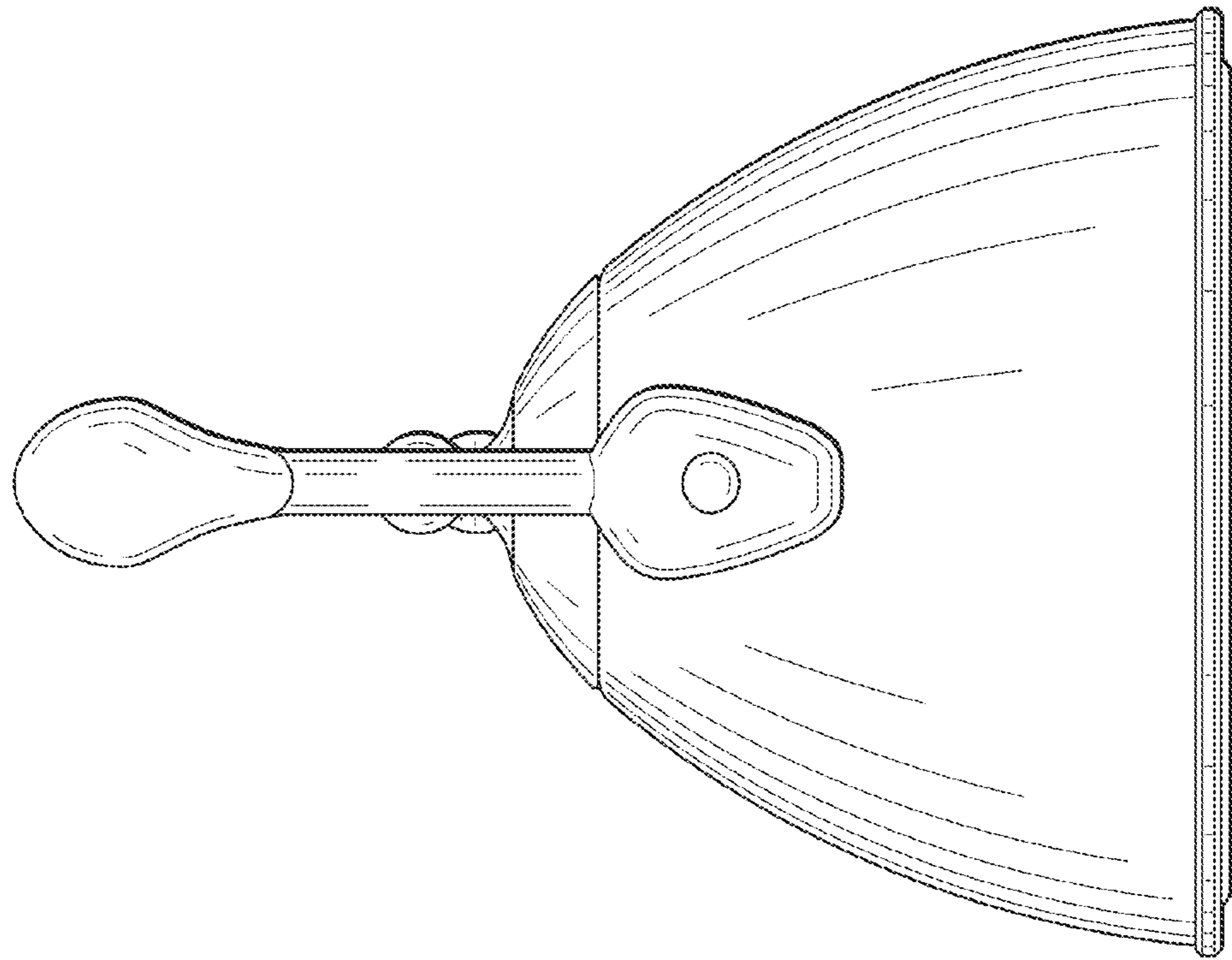


FIG. 3

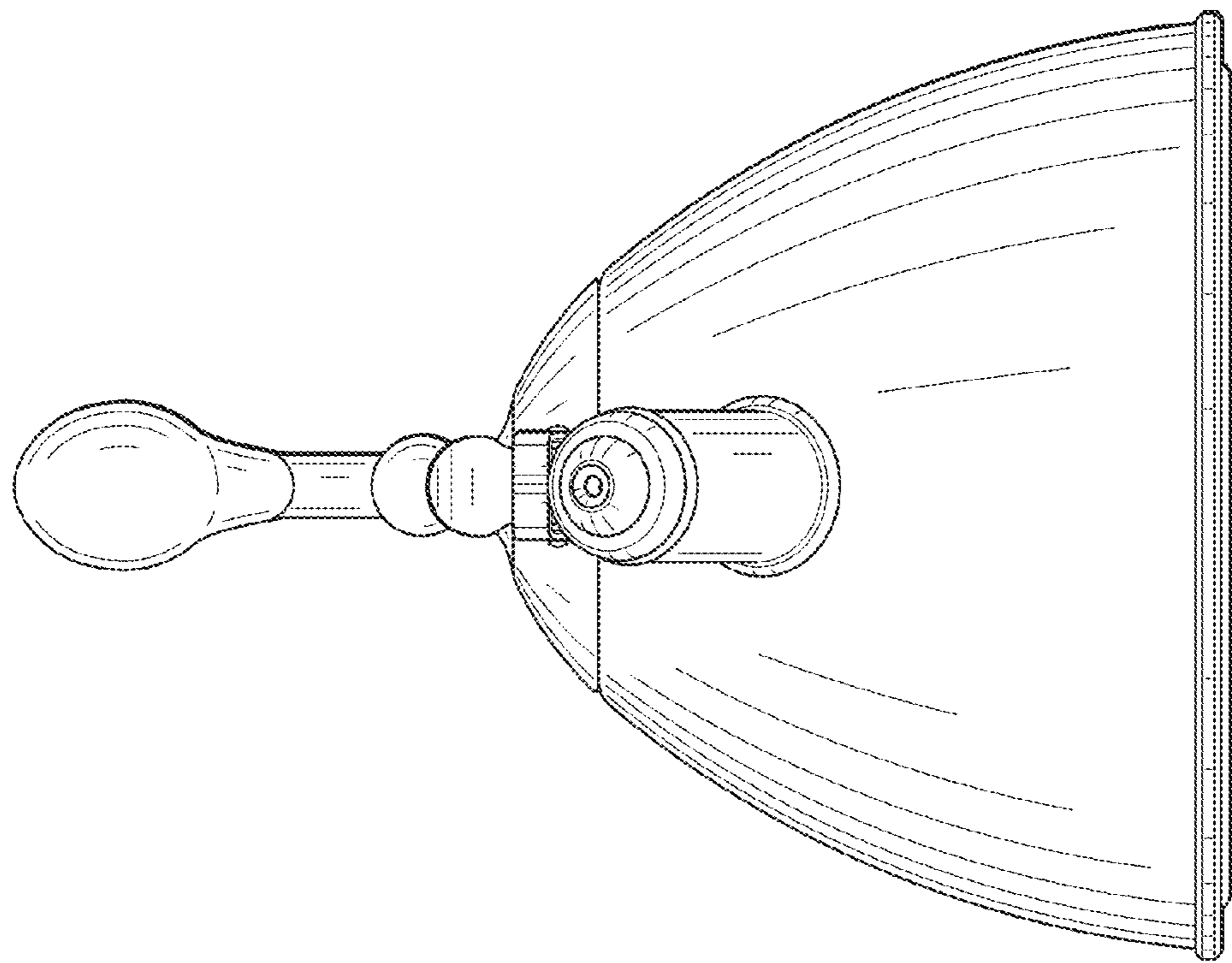


FIG. 2

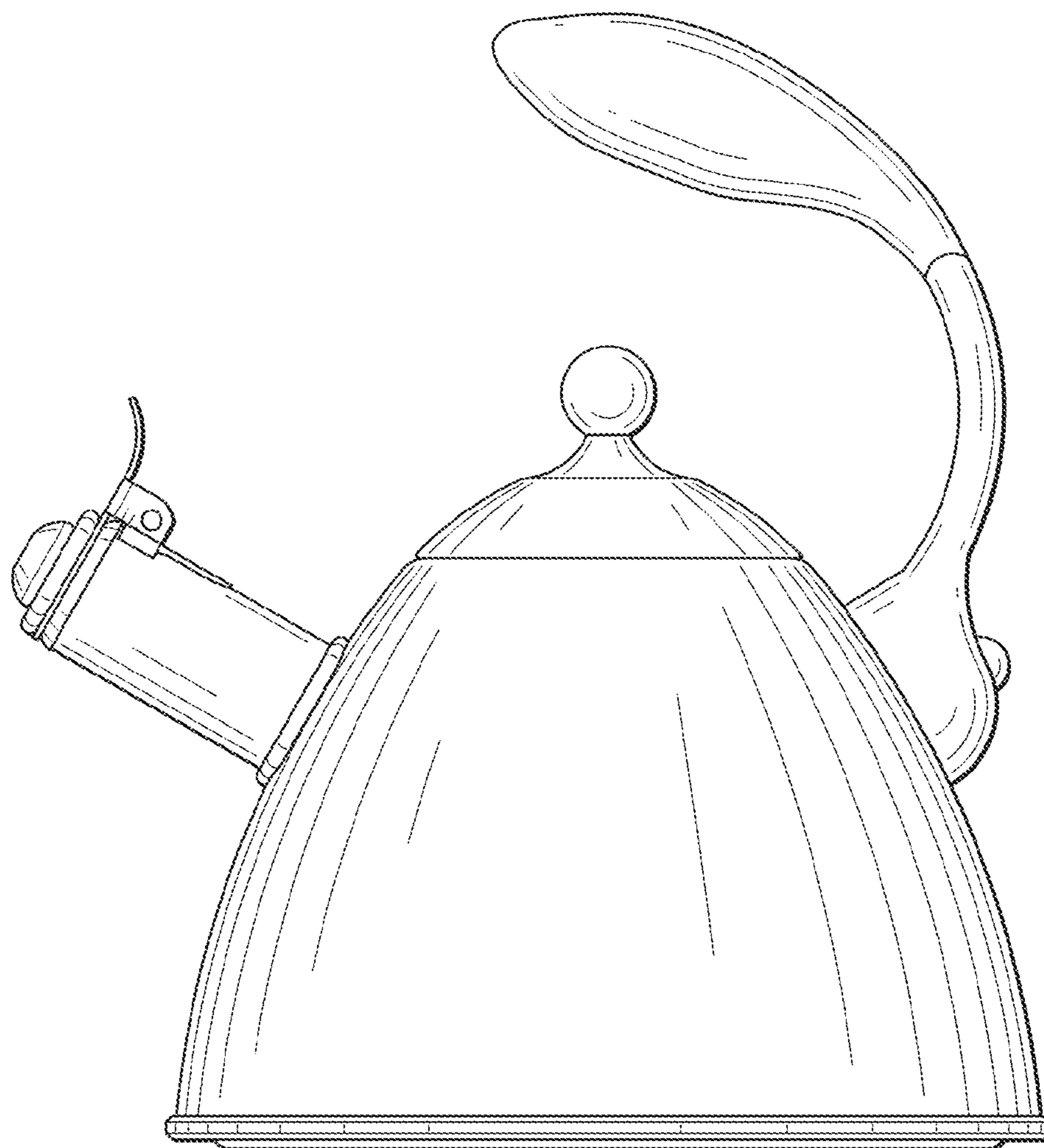


FIG. 4



FIG. 5

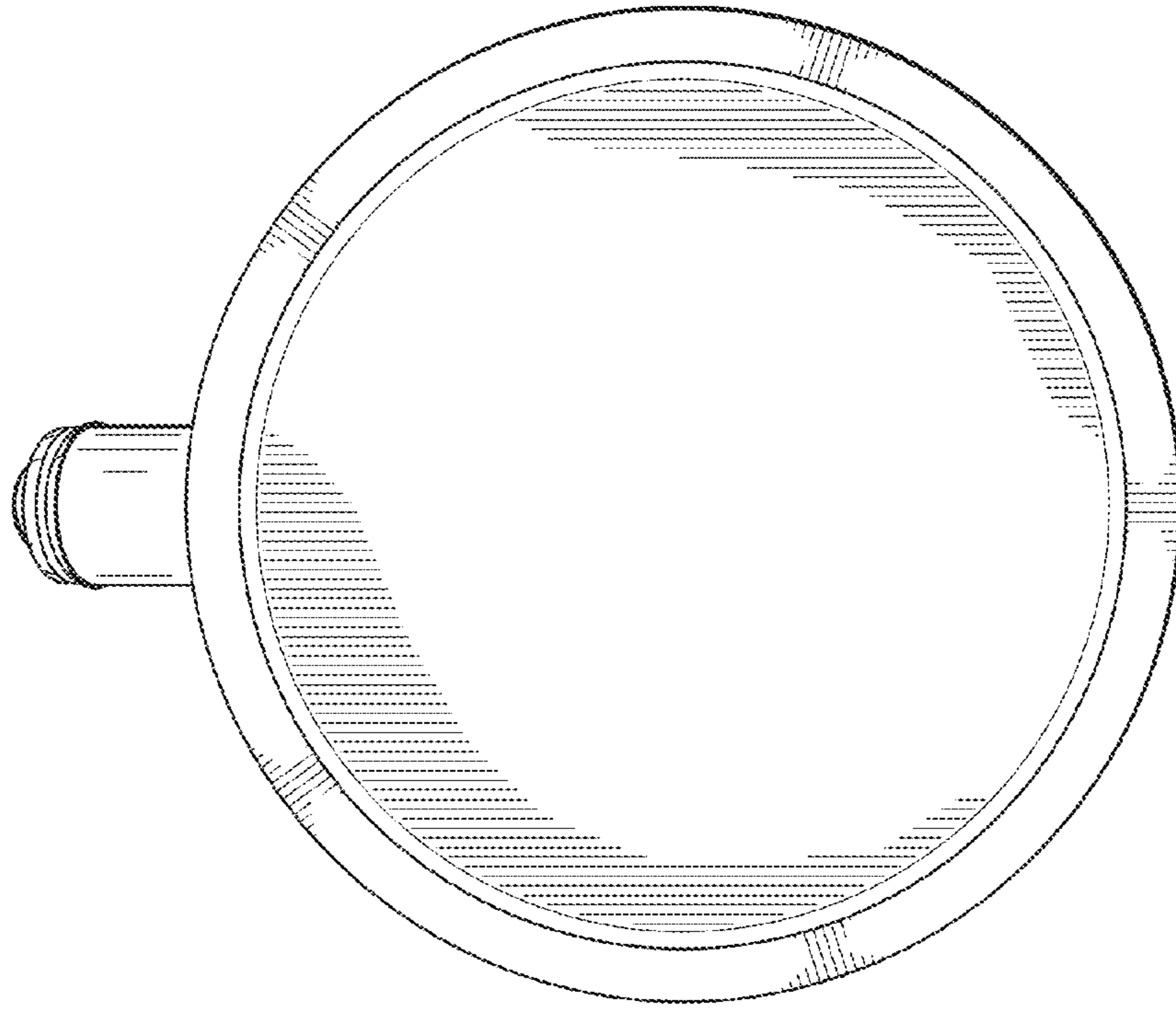


FIG. 7

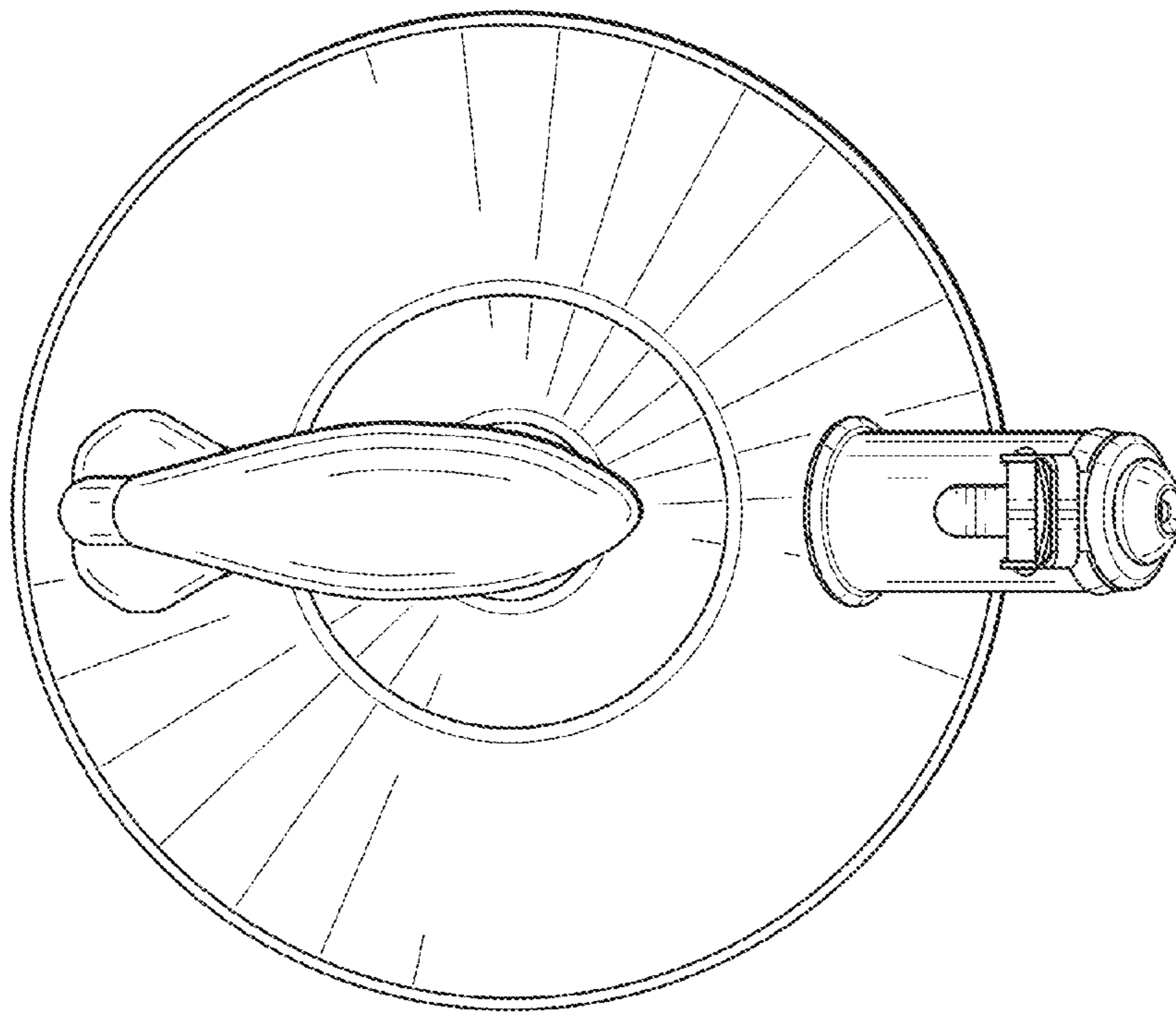


FIG. 6