



US00D725949S

(12) **United States Design Patent**
Berkowitz

(10) **Patent No.:** **US D725,949 S**
(45) **Date of Patent:** **** Apr. 7, 2015**

(54) **PORTABLE TABLE**
(71) Applicant: **Daniel Berkowitz**, Devon, PA (US)
(72) Inventor: **Daniel Berkowitz**, Devon, PA (US)
(**) Term: **14 Years**
(21) Appl. No.: **29/449,767**
(22) Filed: **Mar. 15, 2013**
(51) **LOC (10) Cl.** **06-03**
(52) **U.S. Cl.**
USPC **D6/692.4; D6/692.6**
(58) **Field of Classification Search**
USPC D6/692, 692.3, 692.4, 692.6, 691.6,
D6/707, 707.2; 108/50.11, 25, 153.1, 156,
108/157.1, 161; 248/188, 188.1, 188.8;
D21/397, 522
See application file for complete search history.

6,662,732 B2 12/2003 Birsel et al.
D498,088 S 11/2004 Tsang
6,889,618 B1 5/2005 Gromack
6,929,230 B2 8/2005 Tsai
D511,911 S * 11/2005 Light et al. D6/480
6,997,111 B2 2/2006 Giegerich
7,131,364 B2 11/2006 Brazell
D536,394 S * 2/2007 Meoli et al. D21/397
7,765,941 B2 8/2010 Chen
8,327,774 B1 12/2012 Rivera
8,424,470 B2 4/2013 Volin
2003/0094123 A1 5/2003 Ulmer
2004/0051009 A1 3/2004 Chen
2004/0084581 A1 5/2004 Chang
2005/0199162 A1 9/2005 Hendricks et al.
2008/0178776 A1 7/2008 Arias et al.
2009/0241811 A1 10/2009 Markegard et al.

* cited by examiner

Primary Examiner — Janice Seeger

(74) *Attorney, Agent, or Firm* — John F. A. Earley, III; Frank J. Bonini, Jr.; Harding, Earley, Follmer & Frailey, P.C.

(56) **References Cited**
U.S. PATENT DOCUMENTS

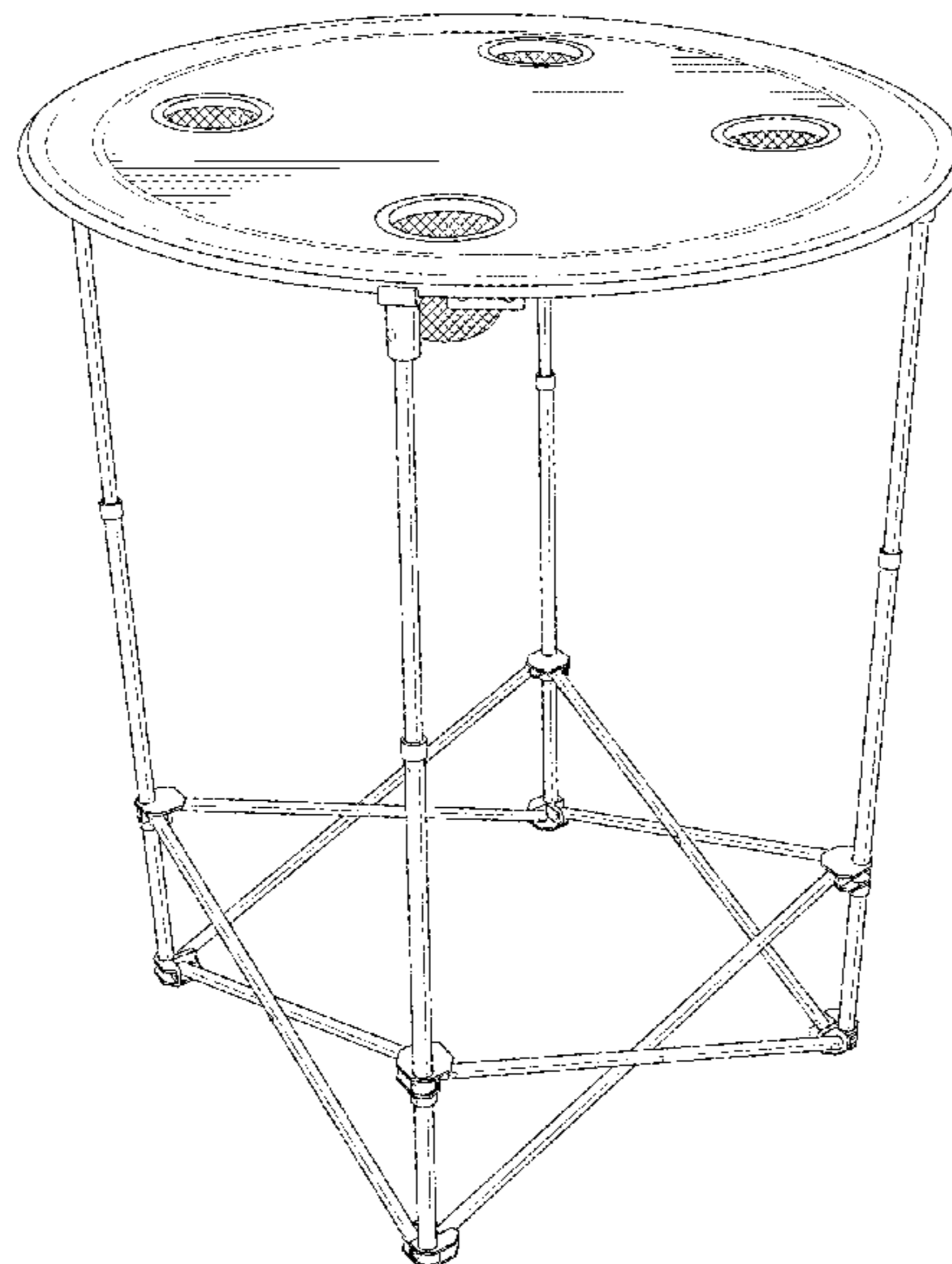
4,122,780 A 10/1978 Brickman
D252,659 S * 8/1979 Brickman D6/429
4,625,655 A * 12/1986 Brickman 108/25
5,421,273 A 6/1995 Lin
D387,583 S * 12/1997 Shear D6/484
5,865,127 A 2/1999 Carter
5,884,566 A 3/1999 Chen
5,913,269 A * 6/1999 Franssen et al. 108/25
6,073,894 A 6/2000 Chen
6,158,361 A 12/2000 Zheng et al.
6,199,489 B1 3/2001 Tsai
6,234,089 B1 5/2001 Zheng et al.
6,283,045 B1 9/2001 Izumi
6,439,133 B1 8/2002 Jaramillo
6,505,565 B1 1/2003 Byung et al.

(57) **CLAIM**
The ornamental design for a portable table, as shown and described.

DESCRIPTION

FIG. 1 is a perspective view of a portable table according to my new design;
FIG. 2 is a front elevation view thereof, the rear elevation view thereof being the same as the front;
FIG. 3 is a right side elevation view thereof, the left side elevation view thereof being the same as the right;
FIG. 4 is a top plan view thereof; and,
FIG. 5 is a bottom plan view thereof.

1 Claim, 5 Drawing Sheets



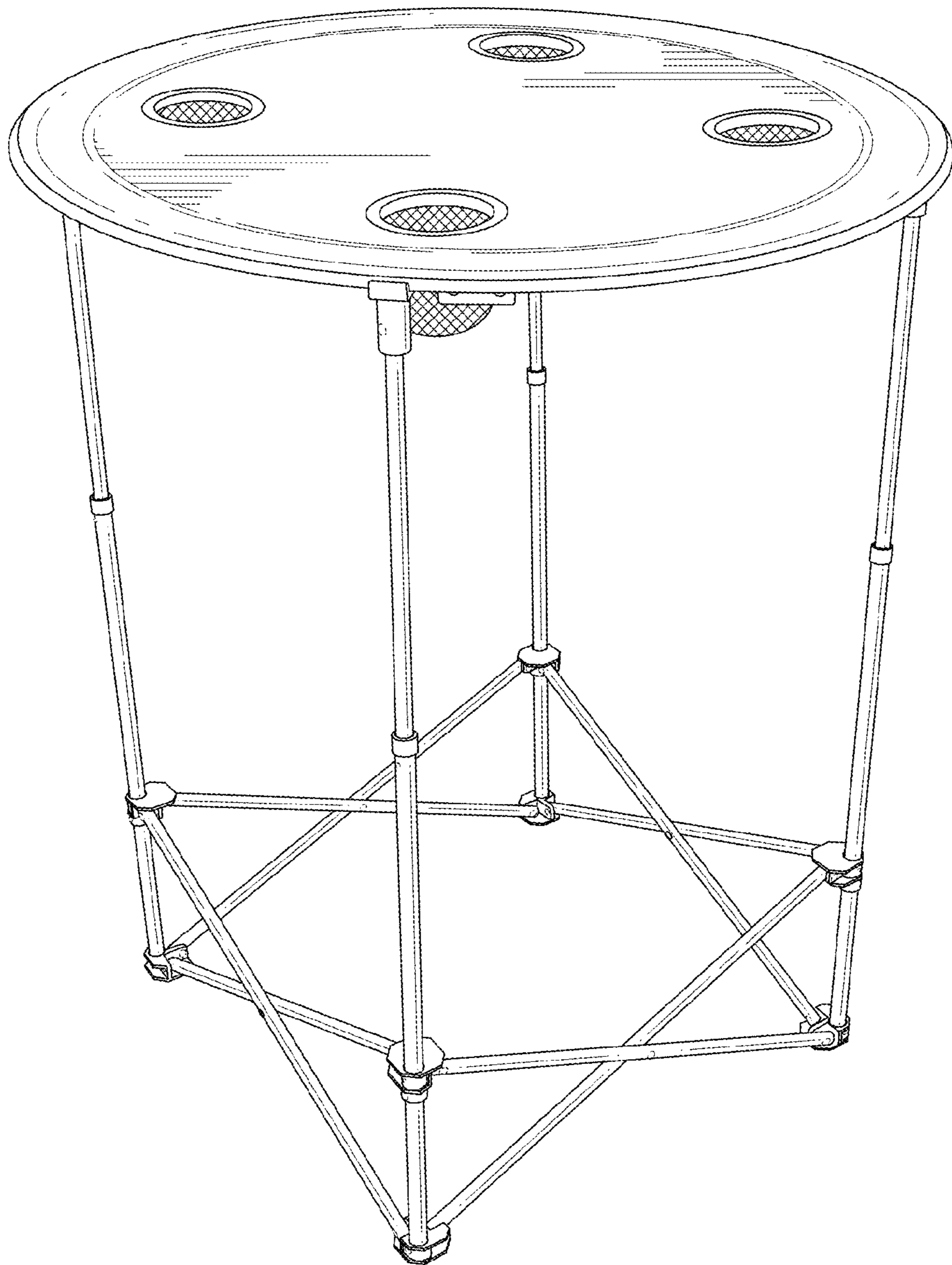


FIG. 1

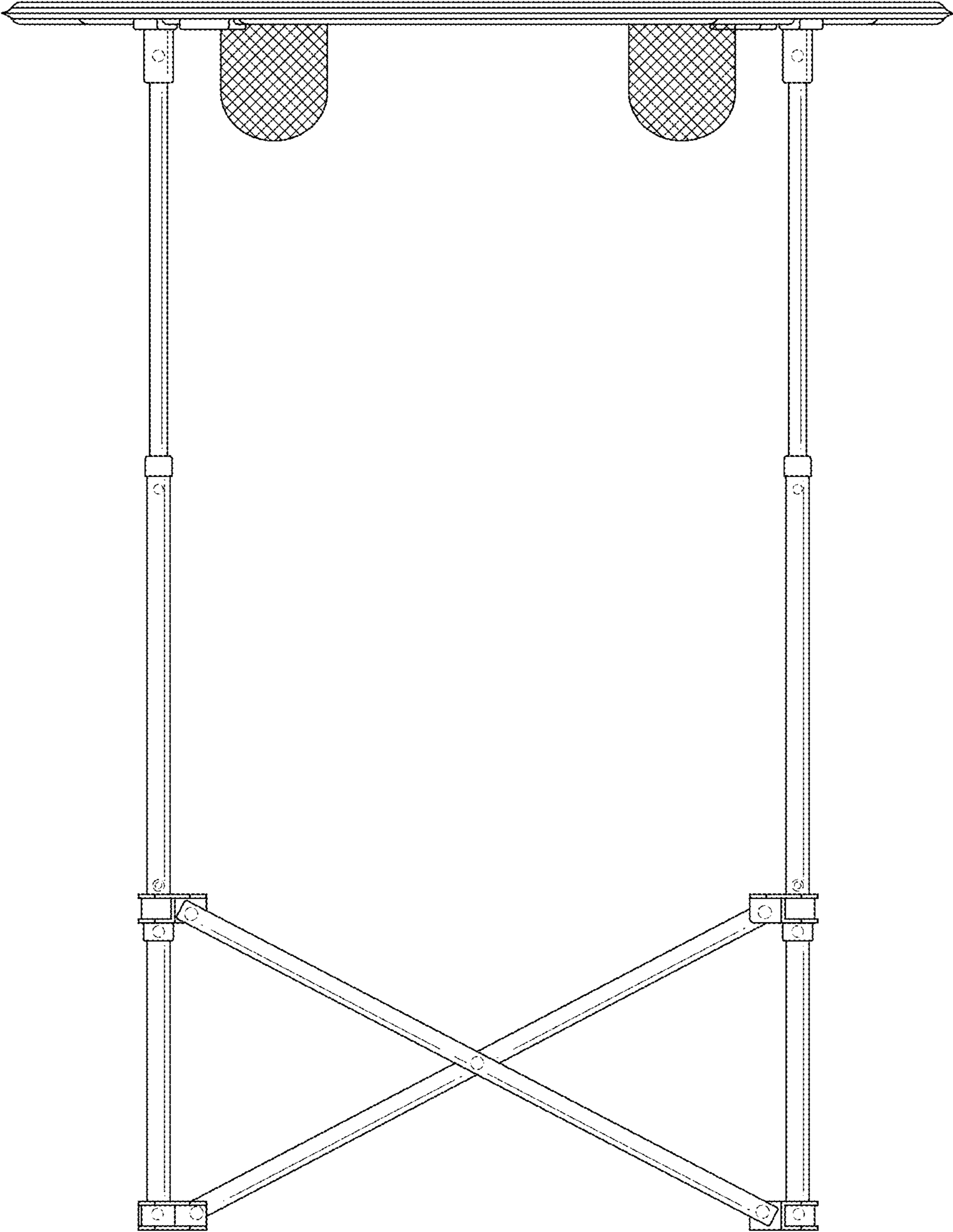


FIG. 2

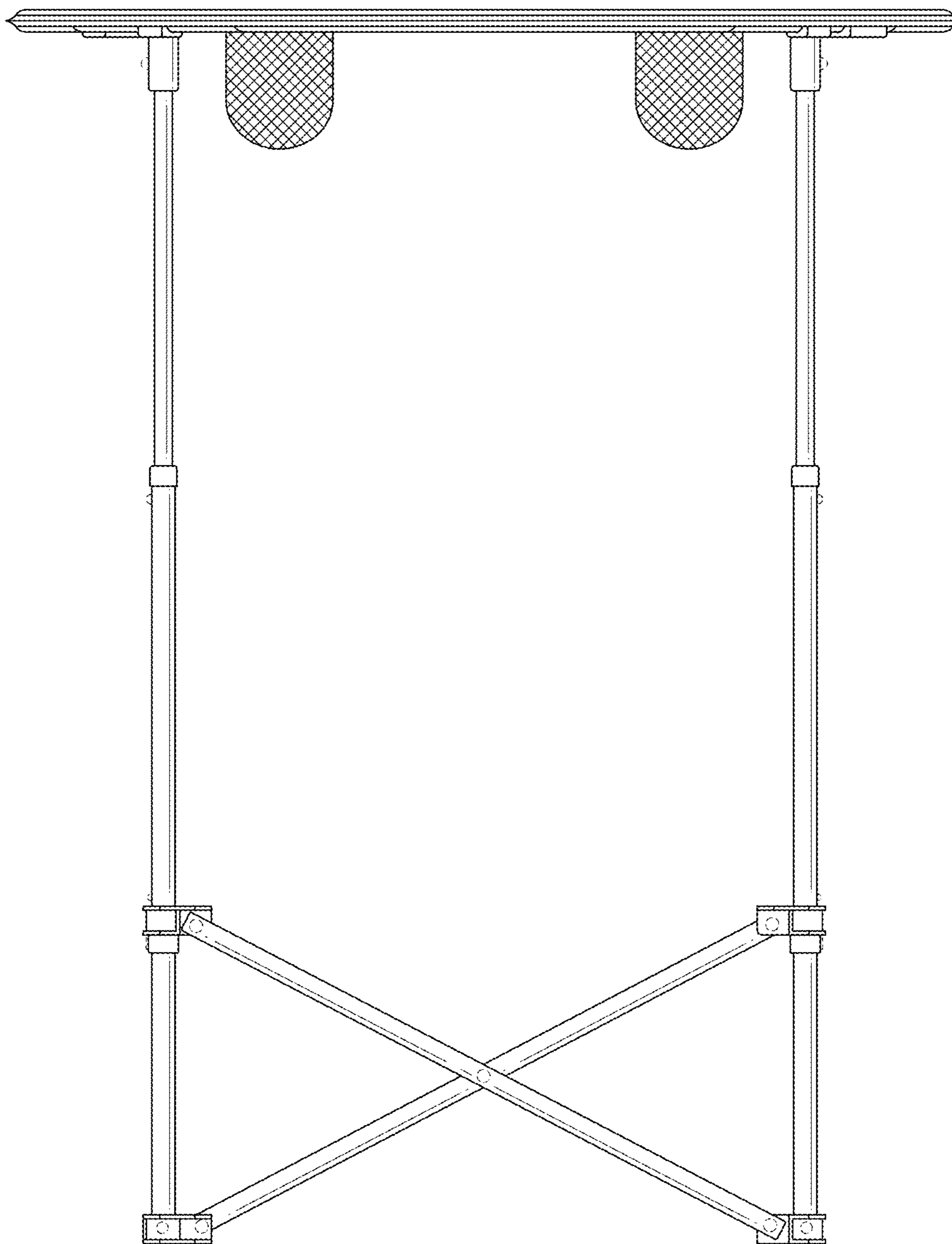


FIG. 3

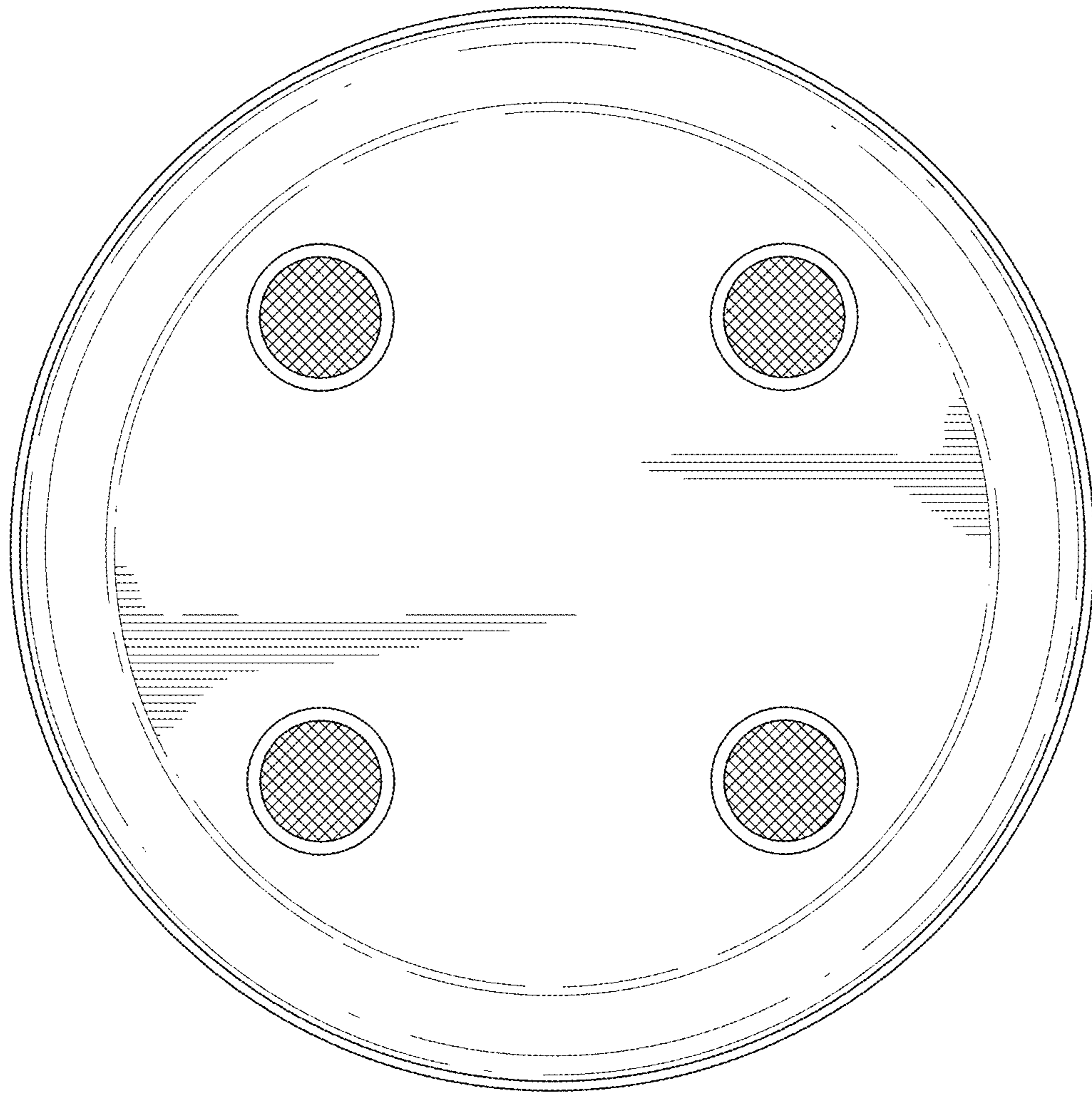


FIG. 4

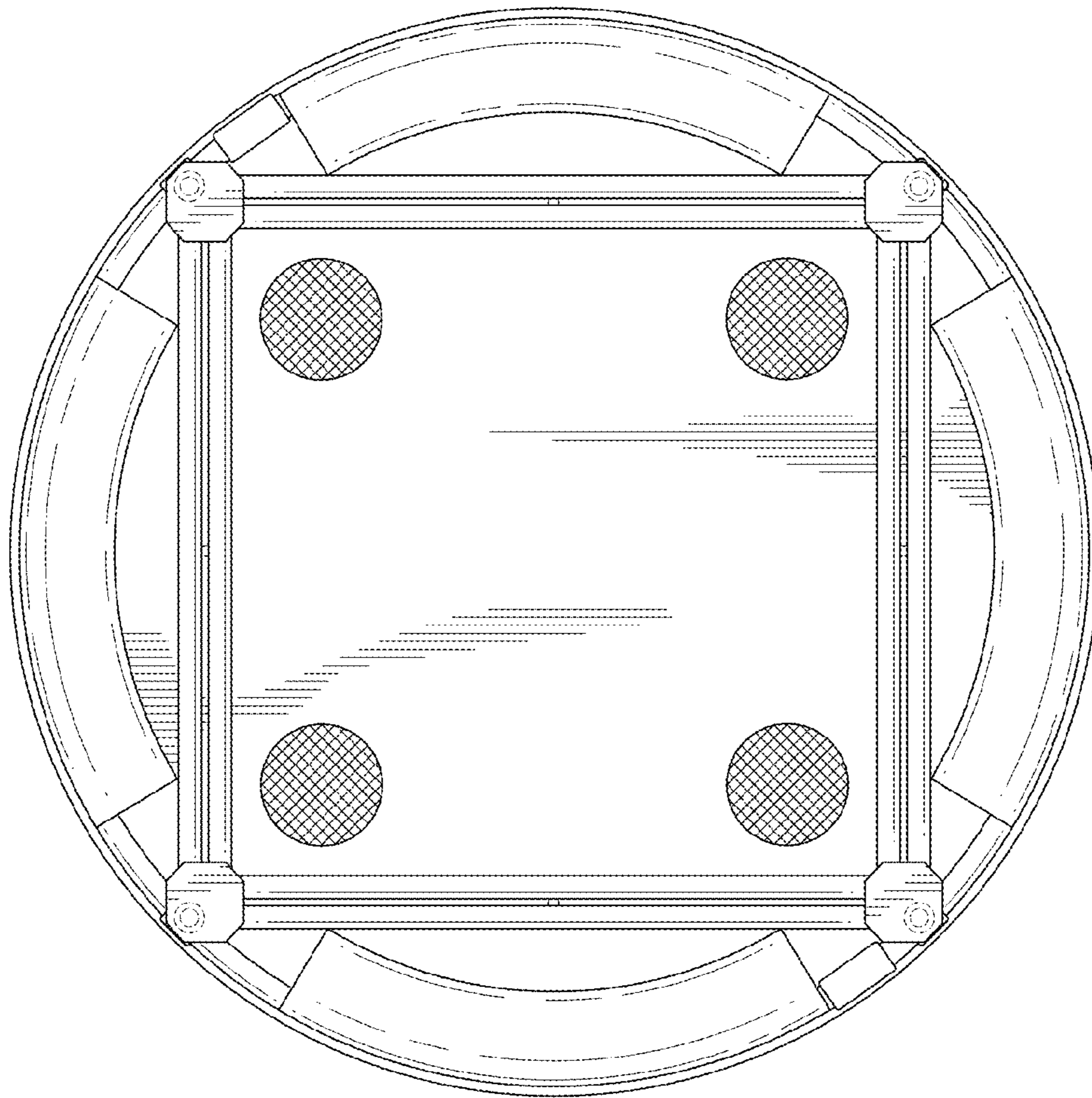


FIG. 5