



US00D725947S

(12) **United States Design Patent**
Tio et al.

(10) **Patent No.:** **US D725,947 S**
(45) **Date of Patent:** **** Apr. 7, 2015**

- (54) **DISPLAY STRUCTURE**
- (71) Applicant: **Apple Inc.**, Cupertino, CA (US)
- (72) Inventors: **Federico F. Tio**, Santa Cruz, CA (US);
Frank Craig Thaler, Santa Cruz, CA (US); **Kevin Fenton Smeds**, San Francisco, CA (US); **Chahe Demian**, Cupertino, CA (US); **Wesley Bryan Hamm**, San Francisco, CA (US)
- (73) Assignee: **Apple Inc.**, Cupertino, CA (US)
- (**) Term: **14 Years**
- (21) Appl. No.: **29/469,978**
- (22) Filed: **Oct. 16, 2013**
- (51) **LOC (10) Cl.** **06-06**
- (52) **U.S. Cl.**
USPC **D6/675.1**
- (58) **Field of Classification Search**
USPC D6/468, 470, 473-479, 396-397,
D6/432-436, 449-451, 672-673,
D6/675-675.1; 211/42, 44-45, 48, 50,
211/90.01, 133.1; 312/7.2, 9.1, 107-109,
312/117-119, 278-279; 108/59, 108, 161
See application file for complete search history.

(56) **References Cited**
U.S. PATENT DOCUMENTS

D144,844 S	5/1945	Dunham
D218,325 S	8/1970	Sherman
4,116,509 A	9/1978	Smith
D250,868 S	1/1979	Ornatek
D274,203 S	6/1984	Everett
D321,100 S	10/1991	Dorrell
D323,944 S	2/1992	Maas
D347,755 S	6/1994	Houston
D354,638 S	1/1995	Todd et al.
D365,947 S	1/1996	Howard
5,577,817 A	11/1996	Reynolds
D434,929 S	12/2000	Heiny et al.

6,170,678 B1	1/2001	de la Fuente
6,357,609 B1 *	3/2002	Van Noord et al. 211/90.02
D468,134 S *	1/2003	Oikawa D6/466
D501,284 S	1/2005	Mount
D590,630 S	4/2009	Singler et al.
D591,531 S *	5/2009	Sparkowski D6/464
D592,422 S	5/2009	Rheault
D610,832 S	3/2010	Rheault
D632,903 S *	2/2011	Paul D6/474
D637,421 S	5/2011	Theisen et al.
D642,390 S *	8/2011	West D6/332
D642,824 S	8/2011	Theisen et al.
D649,192 S *	11/2011	Beukema et al. D19/75
D657,978 S *	4/2012	Hamm et al. D6/470
D661,124 S *	6/2012	Curbbun et al. D6/396
D671,535 S *	11/2012	Terashima et al. D14/307

(Continued)

Primary Examiner — Kelley Donnelly

(74) *Attorney, Agent, or Firm* — Sterne, Kessler, Goldstein & Fox P.L.L.C.

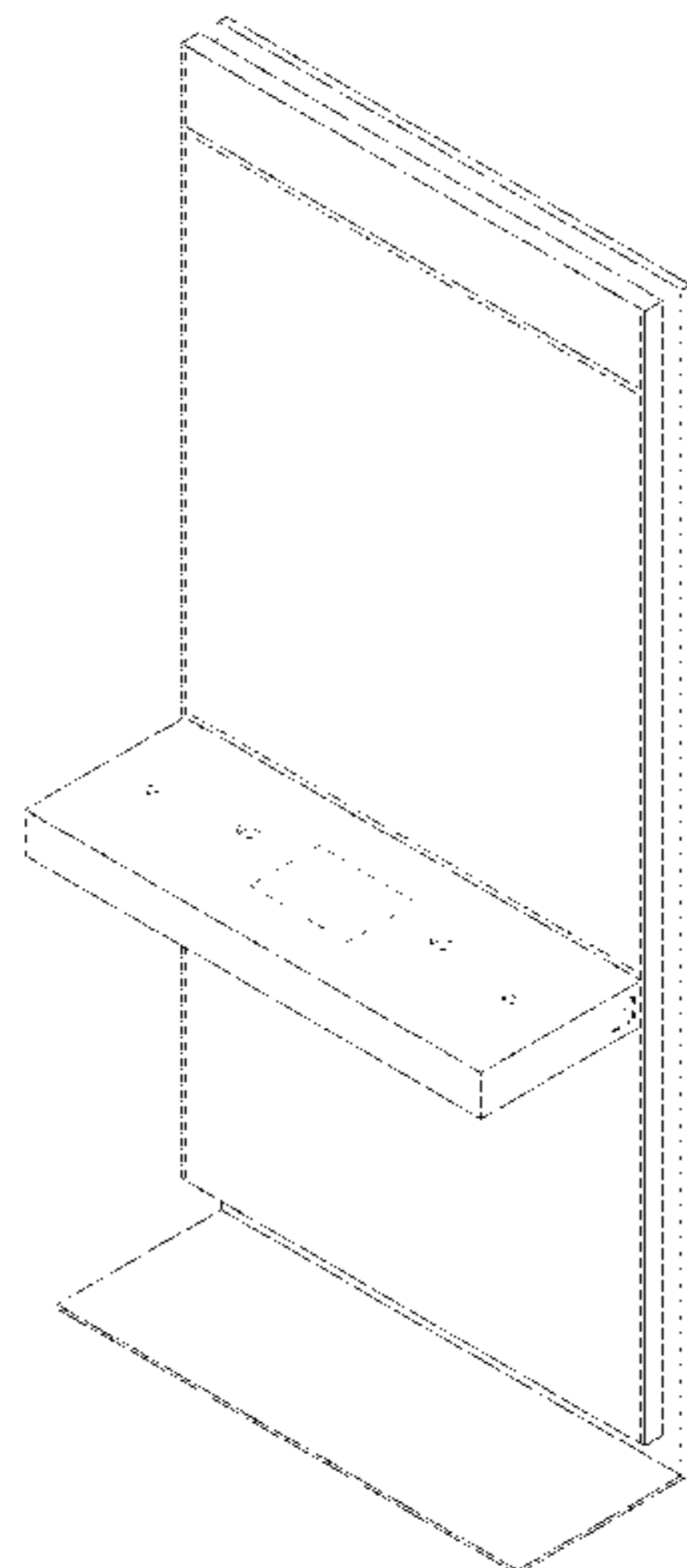
(57) **CLAIM**

The ornamental design for a display structure, as shown and described.

DESCRIPTION

FIG. 1 is a top front perspective view of a display structure showing our new design;
 FIG. 2 is a front view thereof;
 FIG. 3 is a rear view thereof;
 FIG. 4 is a right side view thereof;
 FIG. 5 is a left side view thereof;
 FIG. 6 is a top view thereof;
 FIG. 7 is a bottom view thereof; and,
 FIG. 8 is a top front perspective reference view thereof showing broken-line environmental items in use with the display structure.
 The broken lines shown in FIG. 8 are for the purpose of illustrating the environment of the article only and form no part of the claimed design.
 The broken lines that define the bounds of the claimed design form no part thereof.

1 Claim, 6 Drawing Sheets



(56)

References Cited

U.S. PATENT DOCUMENTS

D676,430 S *	2/2013	Blaser	D14/239	D684,792 S *	6/2013	Kikkert et al.	D6/672
D678,696 S	3/2013	Hamm et al.		D693,156 S *	11/2013	Hamm et al.	D6/672
D679,521 S *	4/2013	Hamm et al.	D6/672	8,602,227 B1 *	12/2013	McDonald	211/94.01
D682,581 S *	5/2013	Kikkert et al.	D6/672	D713,658 S	9/2014	Tio et al.	
				2005/0279033 A1	12/2005	Faber et al.	
				2007/0170823 A1	7/2007	Stannis et al.	

* cited by examiner

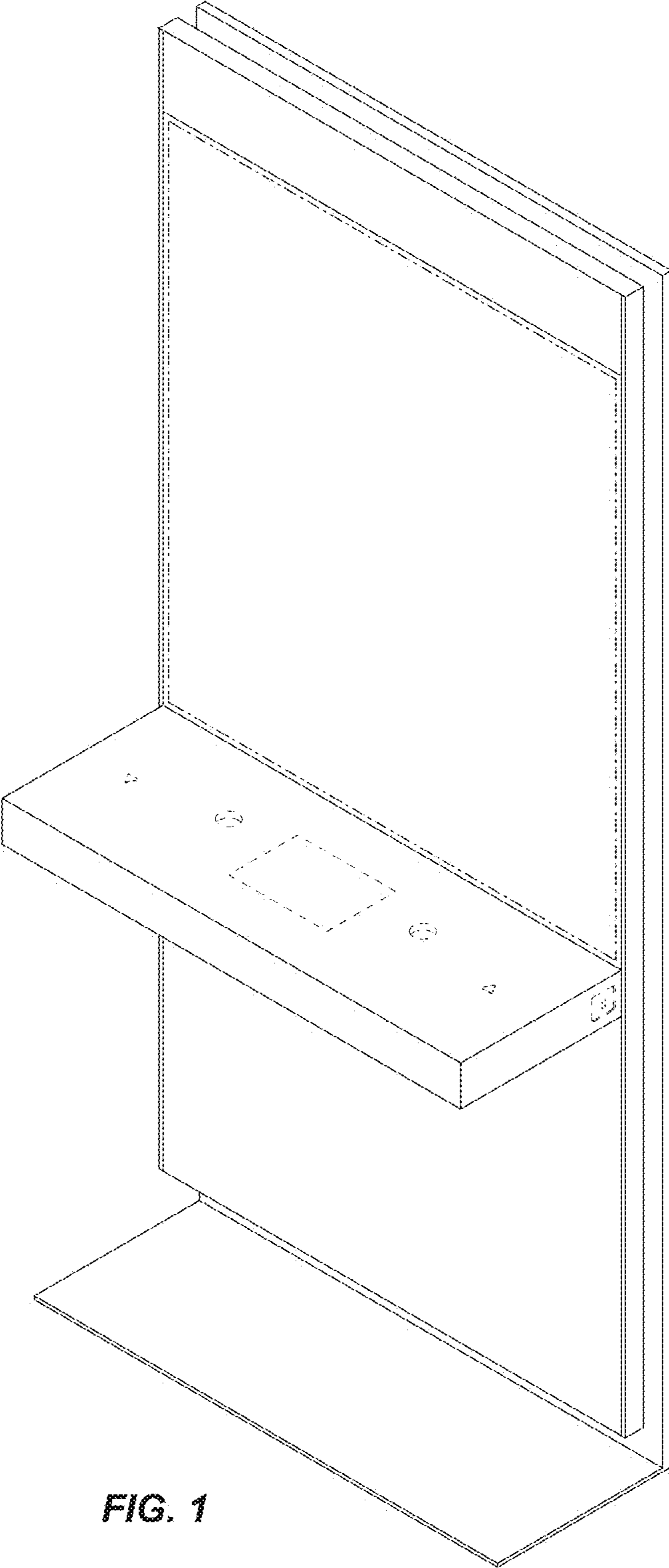


FIG. 1

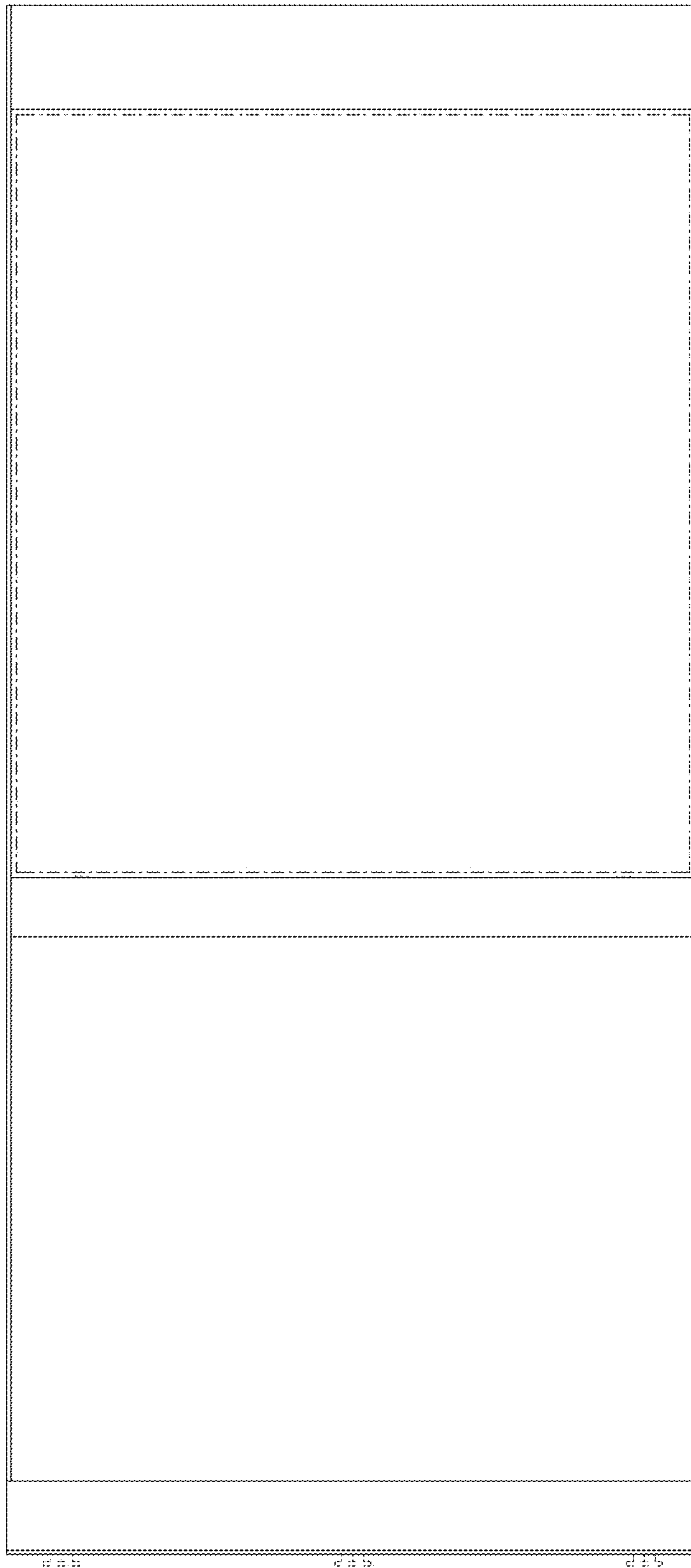


FIG. 2

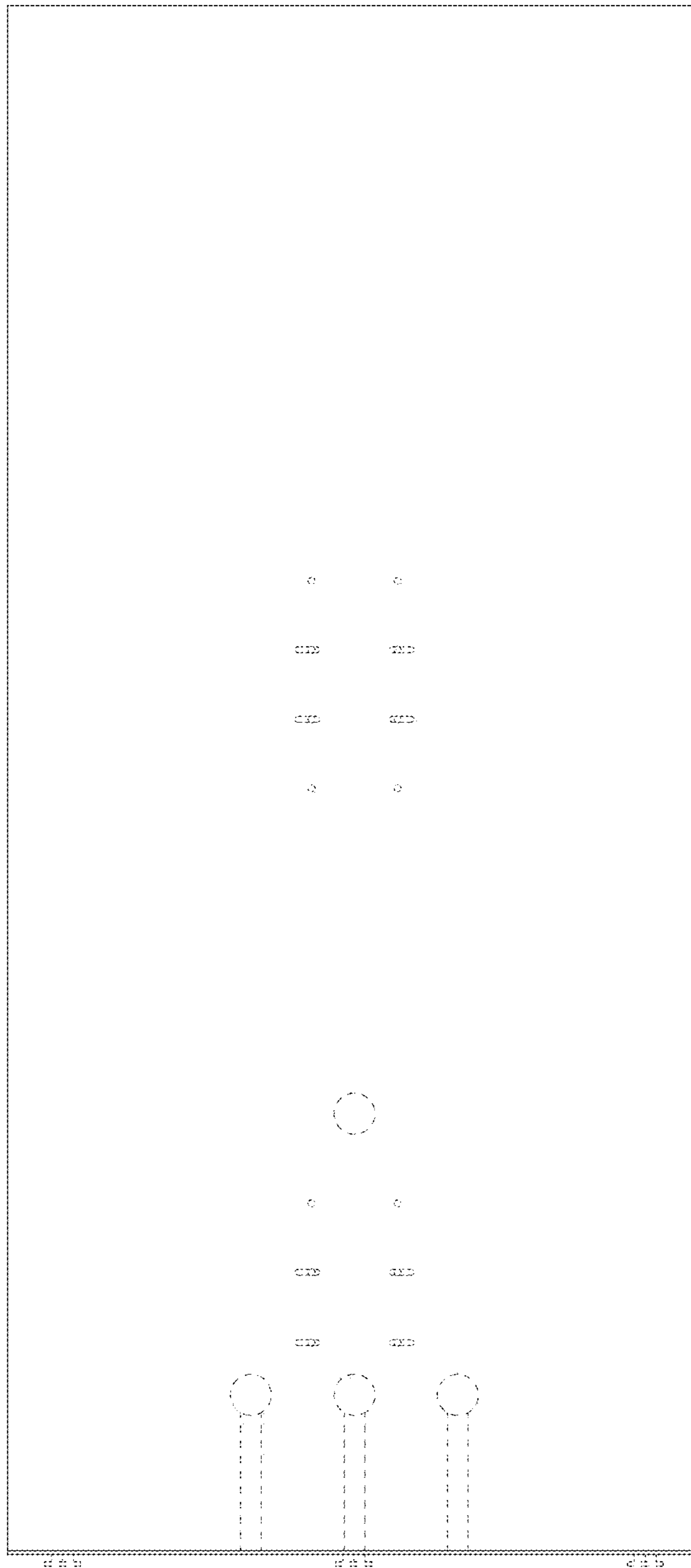


FIG. 3

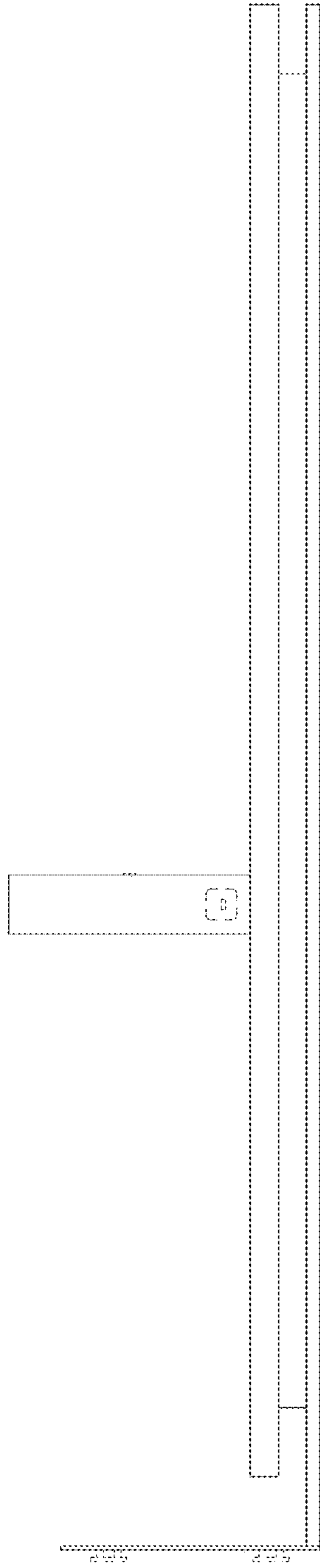


FIG. 4

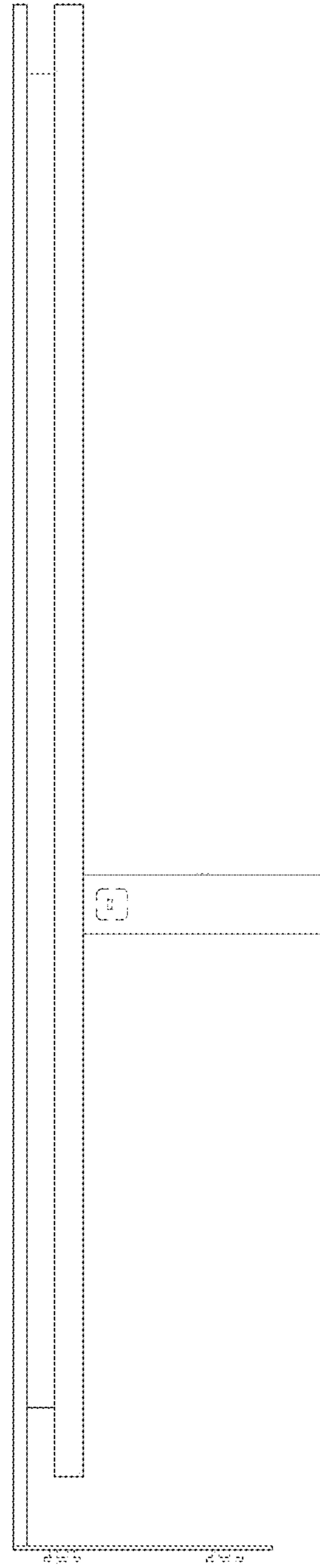


FIG. 5

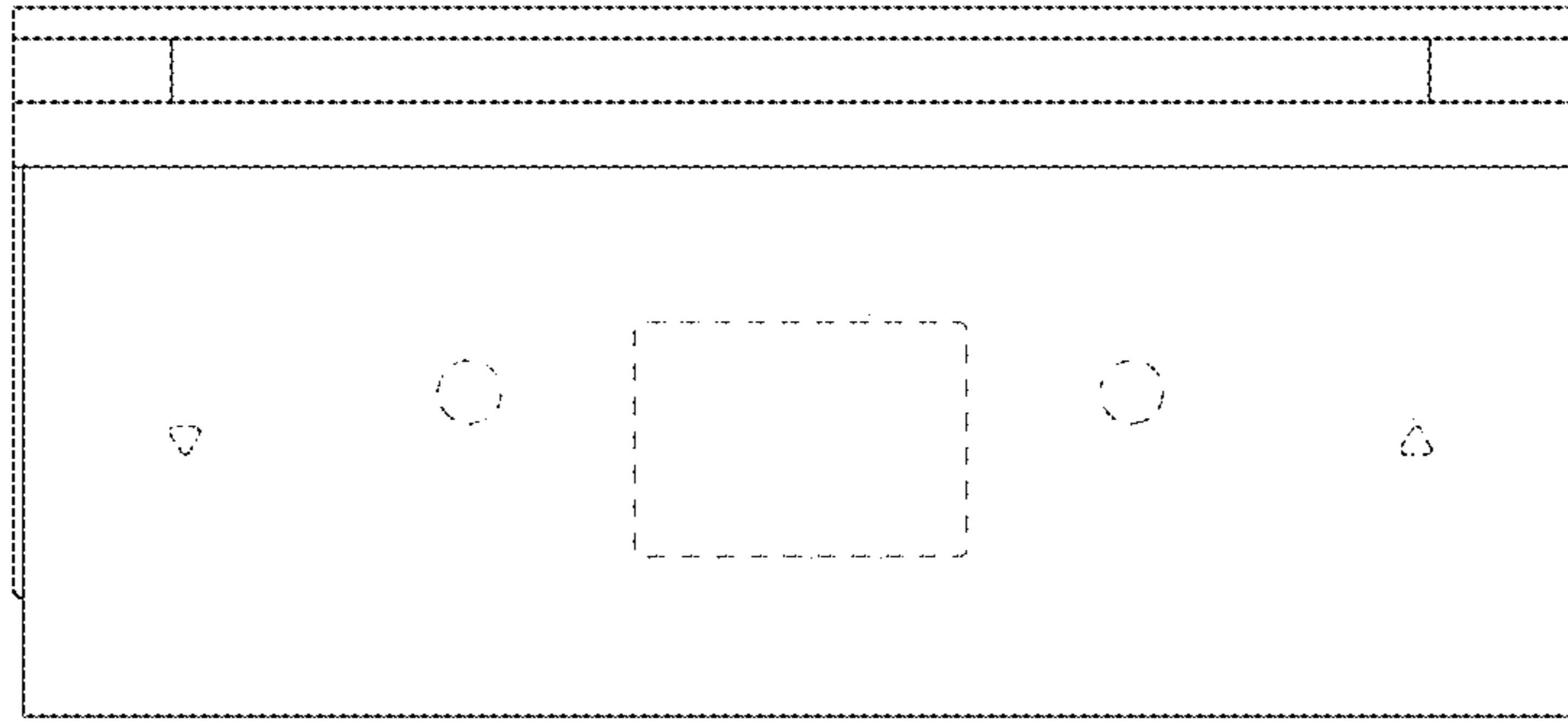


FIG. 6

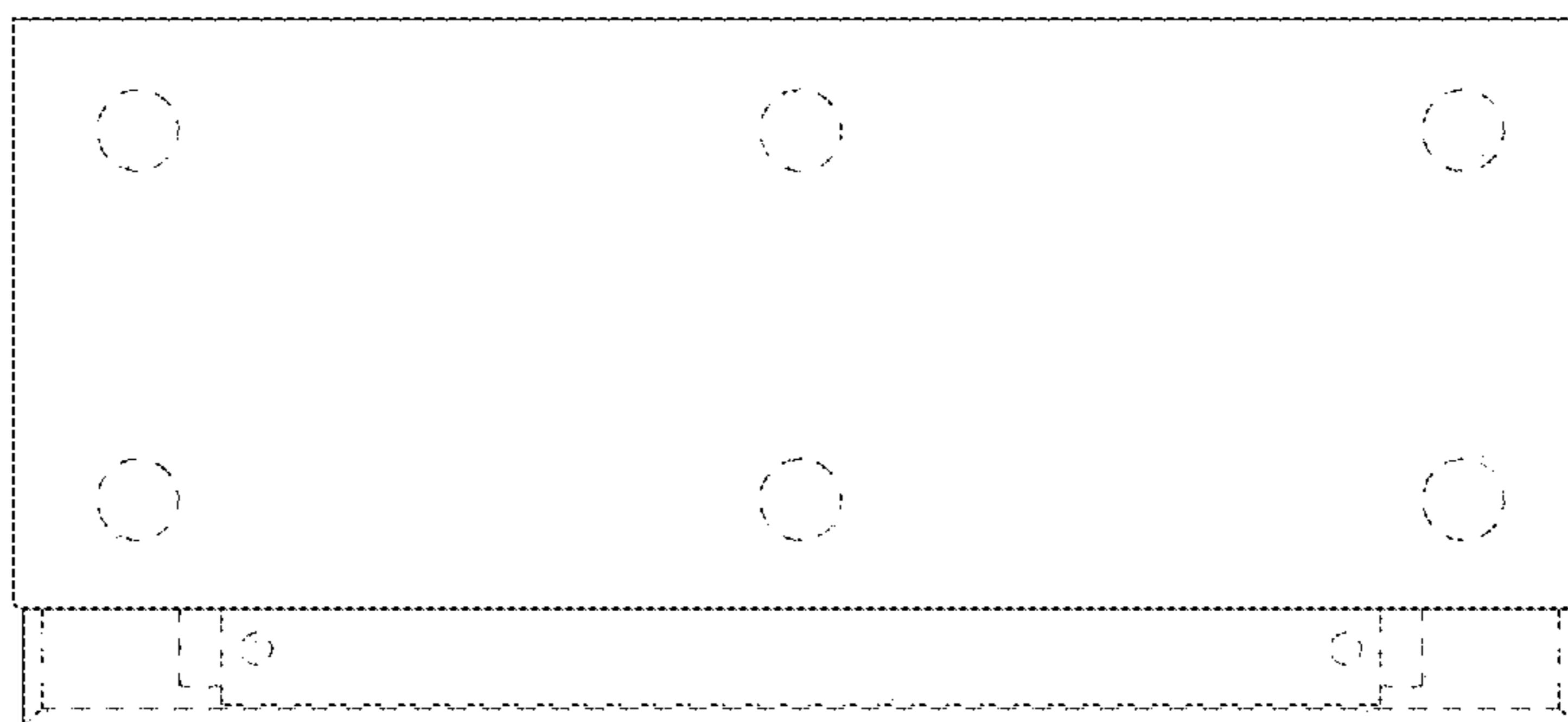


FIG. 7

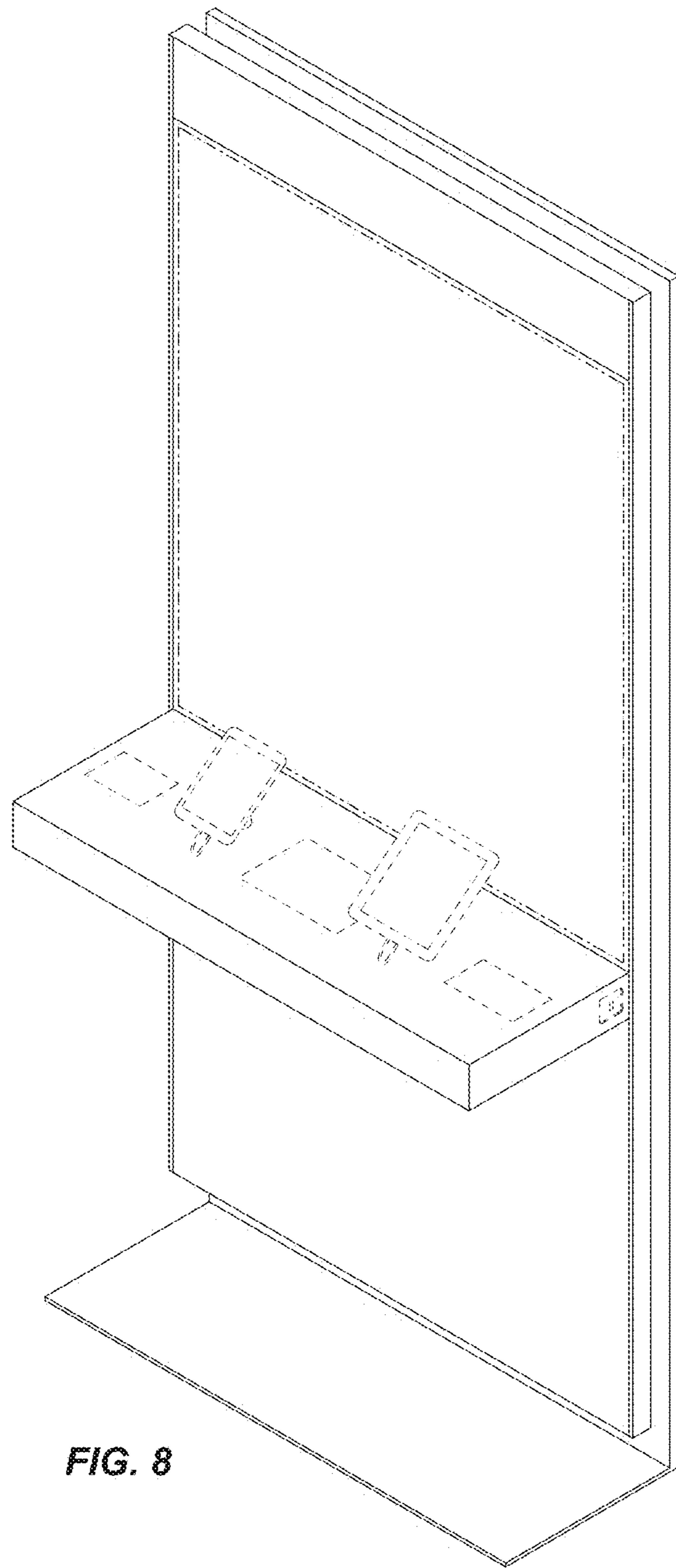


FIG. 8

UNITED STATES PATENT AND TRADEMARK OFFICE
CERTIFICATE OF CORRECTION

PATENT NO. : D725,947 S
APPLICATION NO. : 29/469978
DATED : April 7, 2015
INVENTOR(S) : Federico Tio et al.

Page 1 of 1

It is certified that error appears in the above-identified patent and that said Letters Patent is hereby corrected as shown below:

On the title page

In the "DESCRIPTION" section of the issued patent, replace "The broken lines shown in FIG. 8 are for the purpose of illustrating the environment of the article only and form no part of the claimed design." with --The broken lines in the Figures show portions of the display structure and environment (such as devices in use with the display structure) that form no part of the claimed design.--

In the "DESCRIPTION" section of the issued patent, replace "The broken lines that define the bounds of the claimed design form no part thereof." with --The dot-dash lines in the Figures show unclaimed boundaries which, along with the area within, form no part of the claimed design.--

Signed and Sealed this
Eighteenth Day of August, 2015



Michelle K. Lee
Director of the United States Patent and Trademark Office