



US00D725945S

(12) **United States Design Patent**
Delmedico

(10) **Patent No.:** **US D725,945 S**
(45) **Date of Patent:** **** Apr. 7, 2015**

(54) **DECORATIVE MULTI-PURPOSE BUSINESS STAND**

D469,976 S * 2/2003 Wang D6/425

(75) Inventor: **Anthony Delmedico**, Lake Mary, FL
(US)

(73) Assignee: **Del Visionaries, LLC**, Lake Mary, FL
(US)

(Continued)

(**) Term: **14 Years**

OTHER PUBLICATIONS

(21) Appl. No.: **29/356,870**

Green Party Goods, "Recycled Cardboard Lemonade / Advice Stand", "Web address: <http://www.greenpartygoods.com/recycled-cardboard-lemonadeadvice-stand-p-323.html>", downloaded 2009.

(22) Filed: **Mar. 3, 2010**

(Continued)

(51) **LOC (10) Cl.** **06-04**

(52) **U.S. Cl.**
USPC **D6/656.19**

Primary Examiner — Susan E Krakower

(58) **Field of Classification Search**
USPC D6/425, 426, 474, 419, 477, 396, 397,
D6/464; 312/194-196, 204, 208.1;
108/50.01, 50.02

(74) *Attorney, Agent, or Firm* — Greenberg Traurig LLP

See application file for complete search history.

(57) **CLAIM**
I claim the ornamental design for a decorative multi-purpose business stand, as shown and described.

(56) **References Cited**

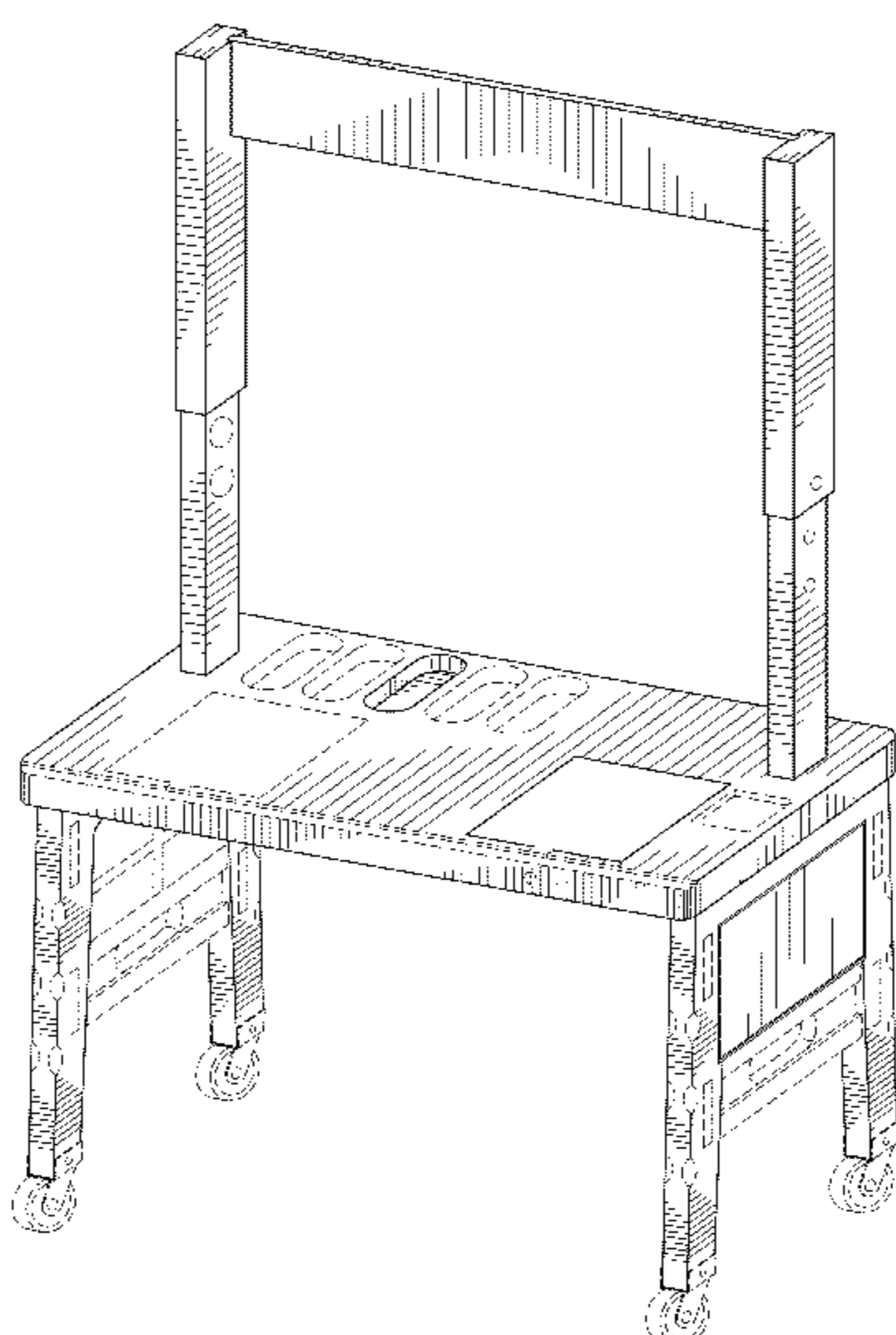
DESCRIPTION

U.S. PATENT DOCUMENTS

D69,762 S	3/1926	Kurowski	
1,623,877 A	4/1927	Kjetsaa	
D79,395 S	9/1929	Sutherland	
2,654,647 A	10/1953	Murray	
3,001,843 A	9/1961	Davis	
3,744,195 A	7/1973	Ferkich	
4,041,880 A	8/1977	Schankman	
4,082,388 A	4/1978	Goeglein	
D260,209 S *	8/1981	Ferdinand et al.	D6/481
D268,922 S	5/1983	Richer	
D276,580 S *	12/1984	Mandl	D6/397
D283,167 S	3/1986	Perry	
D283,994 S	5/1986	Perry	
D291,356 S	8/1987	Sapieha	
D363,643 S	10/1995	Eisenberg	
D366,634 S	1/1996	Anderson	
6,202,570 B1 *	3/2001	Kurtsman	108/108
6,340,213 B1 *	1/2002	Calobrisi, Jr.	312/244

FIG. 1 is a rear right perspective view of a decorative multi-purpose business stand showing my new design.
FIG. 2 is a rear right perspective view thereof, shown with the lids on the stand in an open position.
FIG. 3 is an enlarged detailed rear right perspective view of the middle-right portion of FIG. 2.
FIG. 4 is a front view of the decorative multi-purpose business stand.
FIG. 5 is a rear view thereof.
FIG. 6 is a left side view thereof.
FIG. 7 is a right side view thereof, directly opposite FIG. 6.
FIG. 8 is a top view thereof; and,
FIG. 9 is a bottom view thereof.
The broken lines illustrate portions of the business stand which form no part of the claimed design.

1 Claim, 7 Drawing Sheets



(56)

References Cited

OTHER PUBLICATIONS

U.S. PATENT DOCUMENTS

D469,979 S * 2/2003 Wang D6/425
D508,343 S * 8/2005 Pflaster D6/425
D521,570 S 5/2006 Tsai
7,156,396 B1 1/2007 Voden
D536,394 S 2/2007 Meoli et al.
D547,972 S * 8/2007 Pflaster D6/426
7,387,299 B1 6/2008 Voden
D594,246 S * 6/2009 Chang D6/426
2005/0274300 A1* 12/2005 Chen 108/115
2011/0048288 A1* 3/2011 Sheldon 108/25

Alex Toys, "Children's Lemonade Stand", "web address: <http://www.firstyearsandbeyond.com/childrenslemonadestand-2.aspx>", downloaded 2009.

Melissa and Doug, LLC, "Grocery Store / Lemonade Stand", "web address: http://www.melissaanddoug.com/dyn_prod.php?p=4070", downloaded 2009.

* cited by examiner

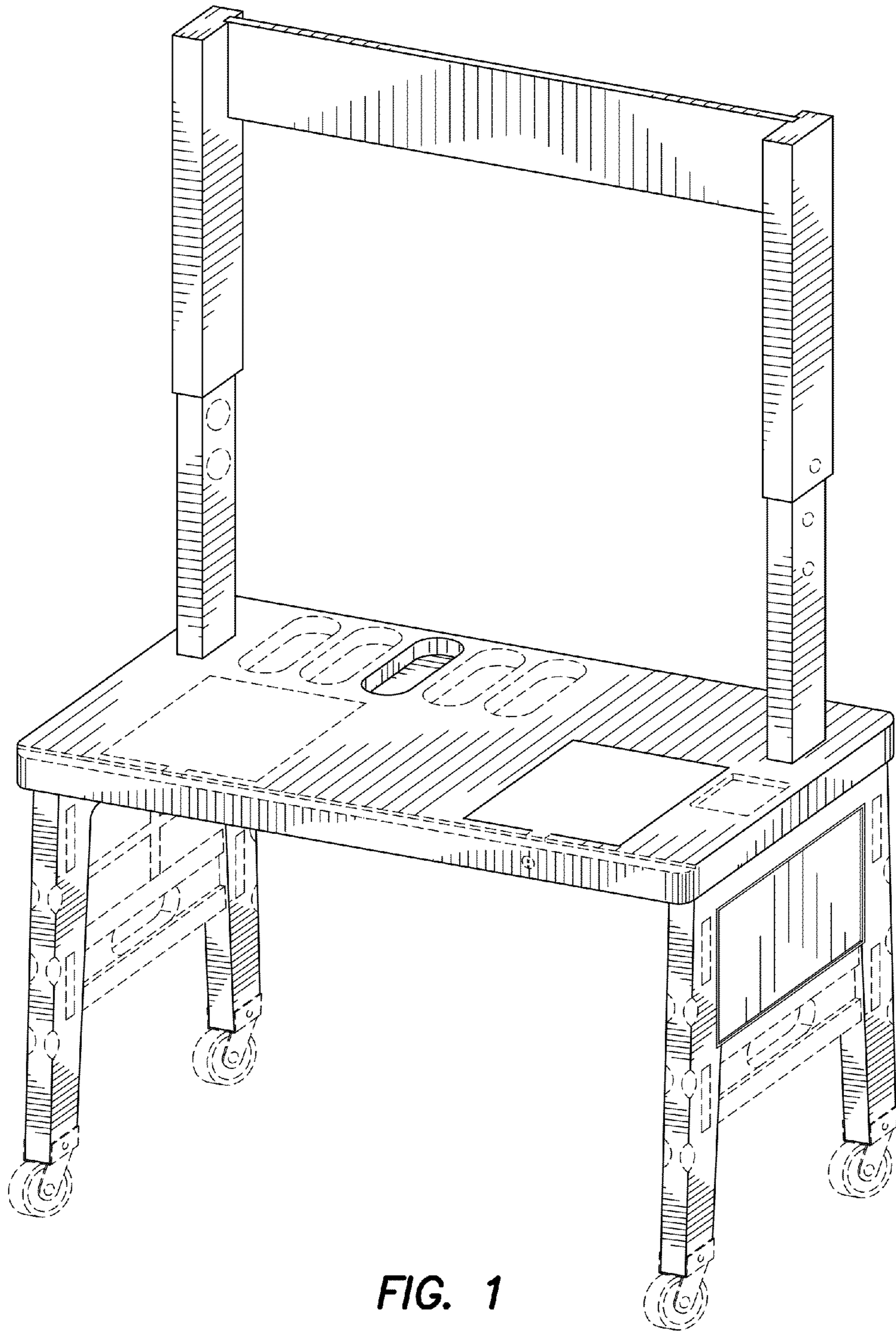


FIG. 1

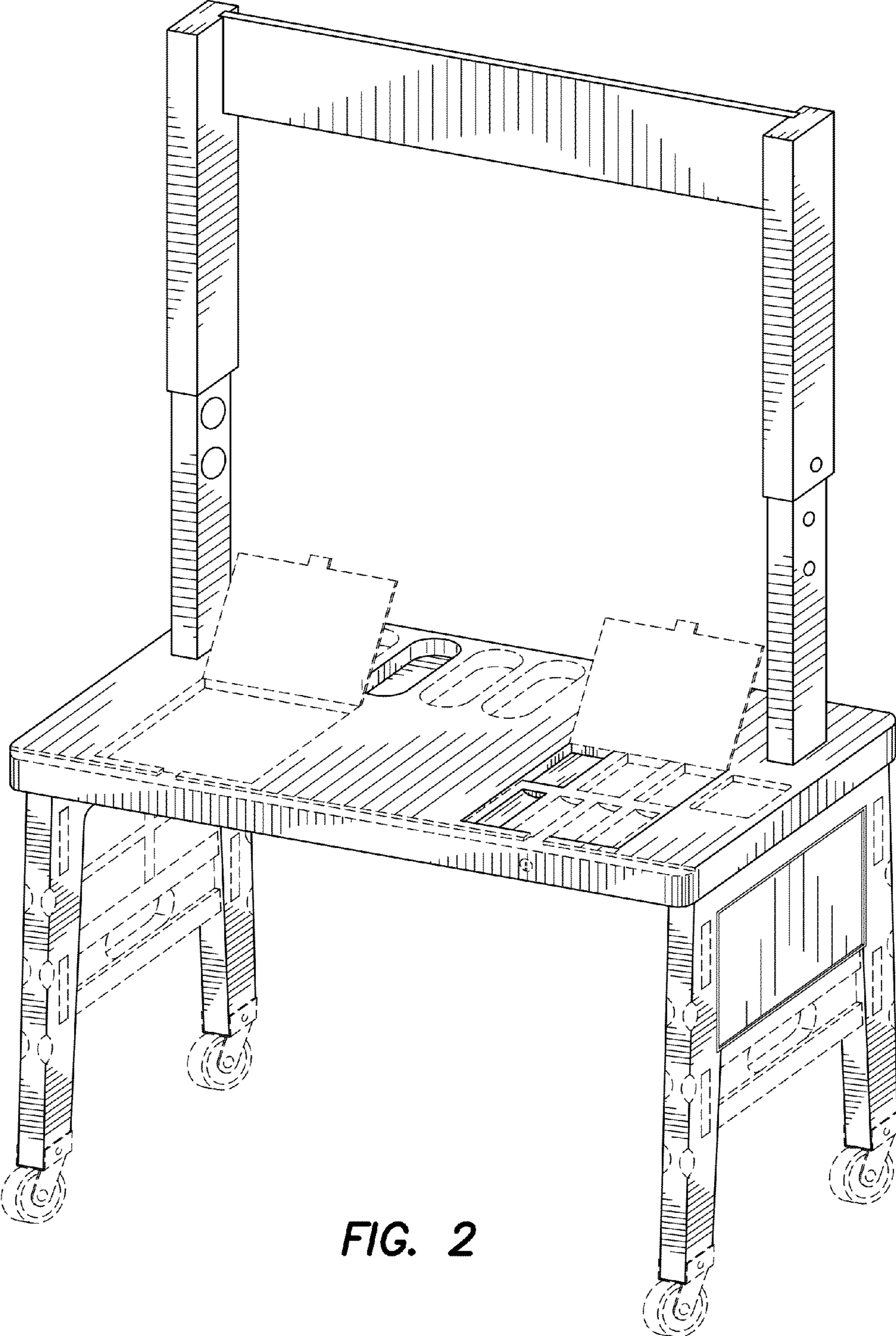


FIG. 2

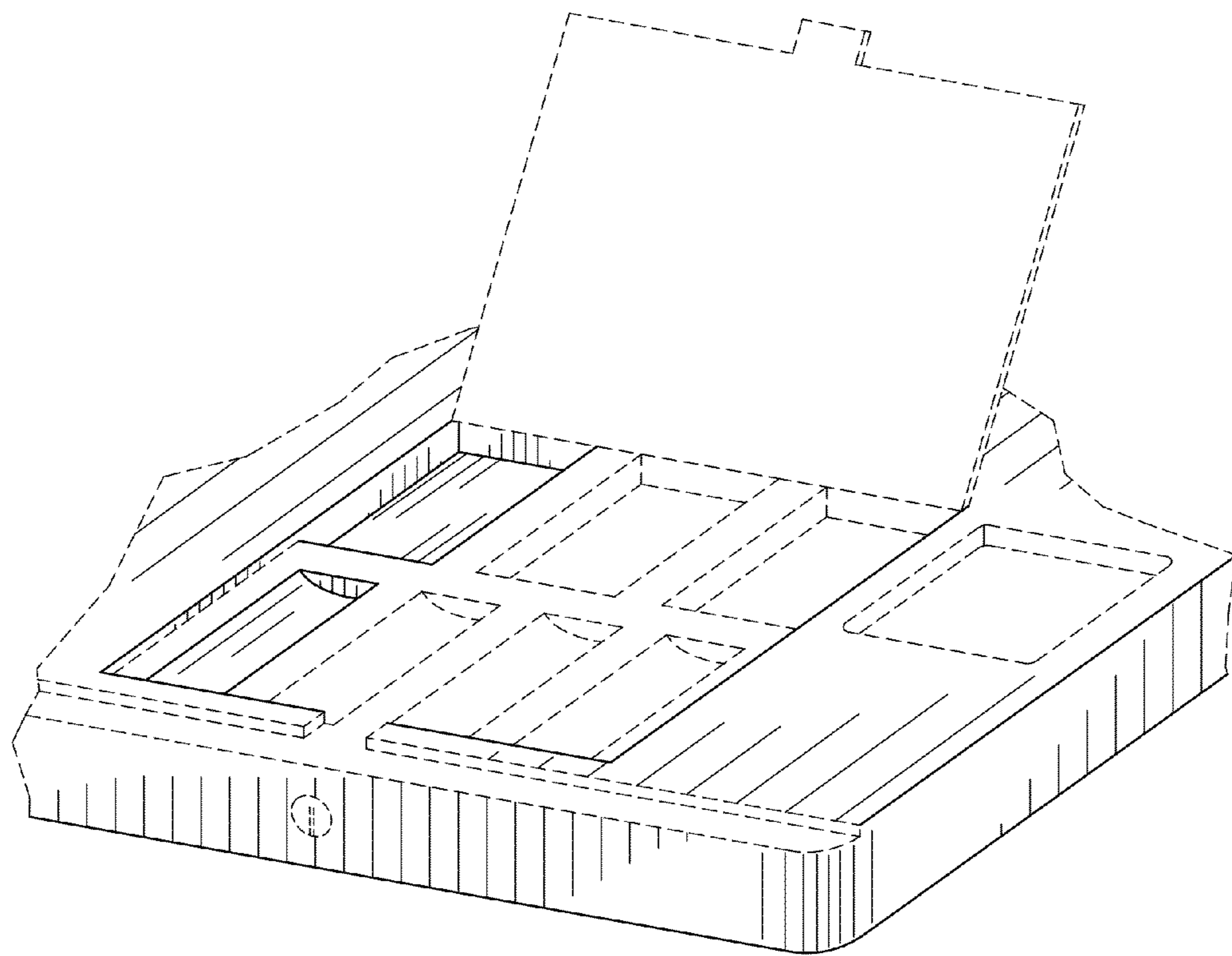


FIG. 3

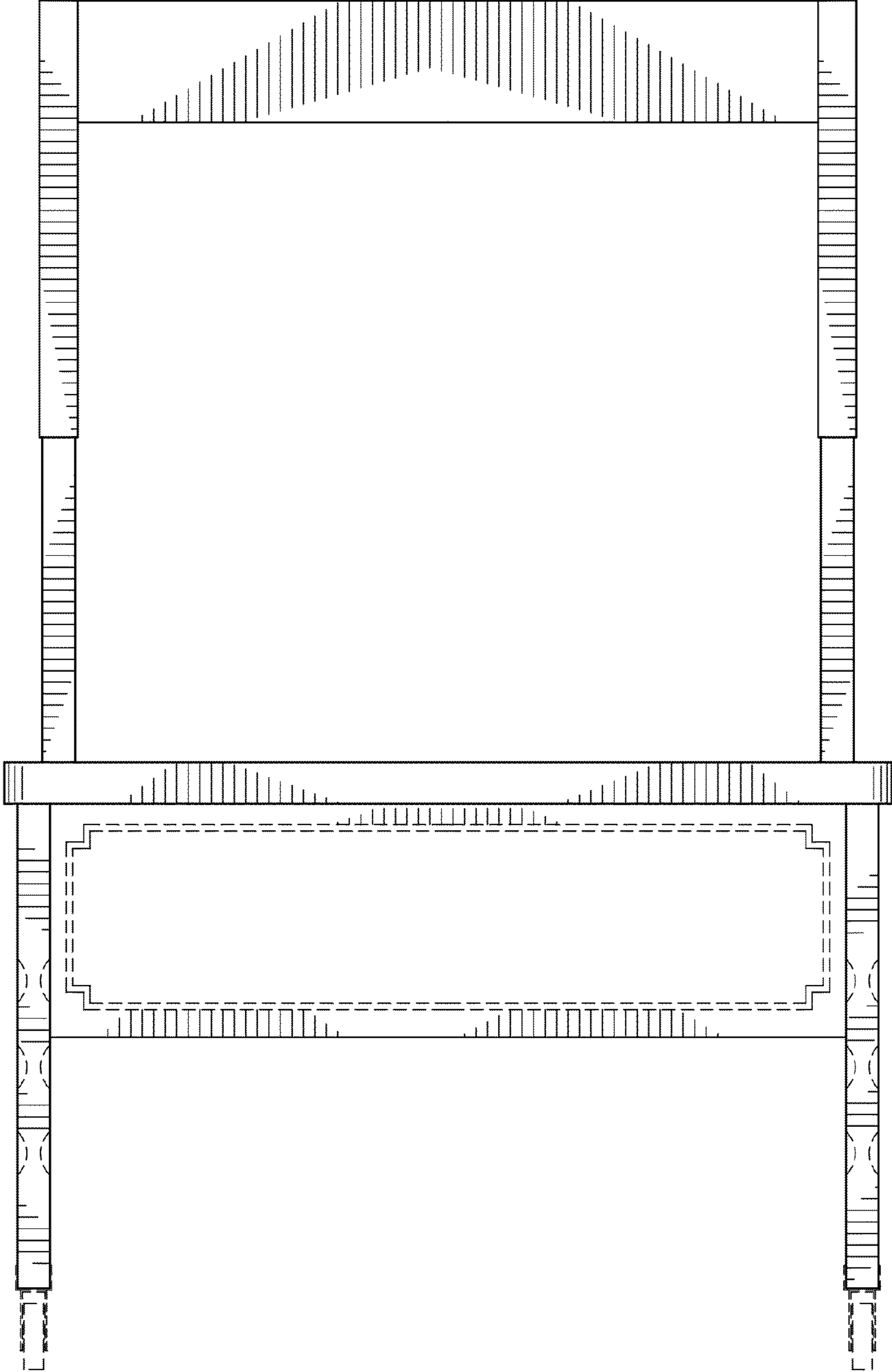


FIG. 4

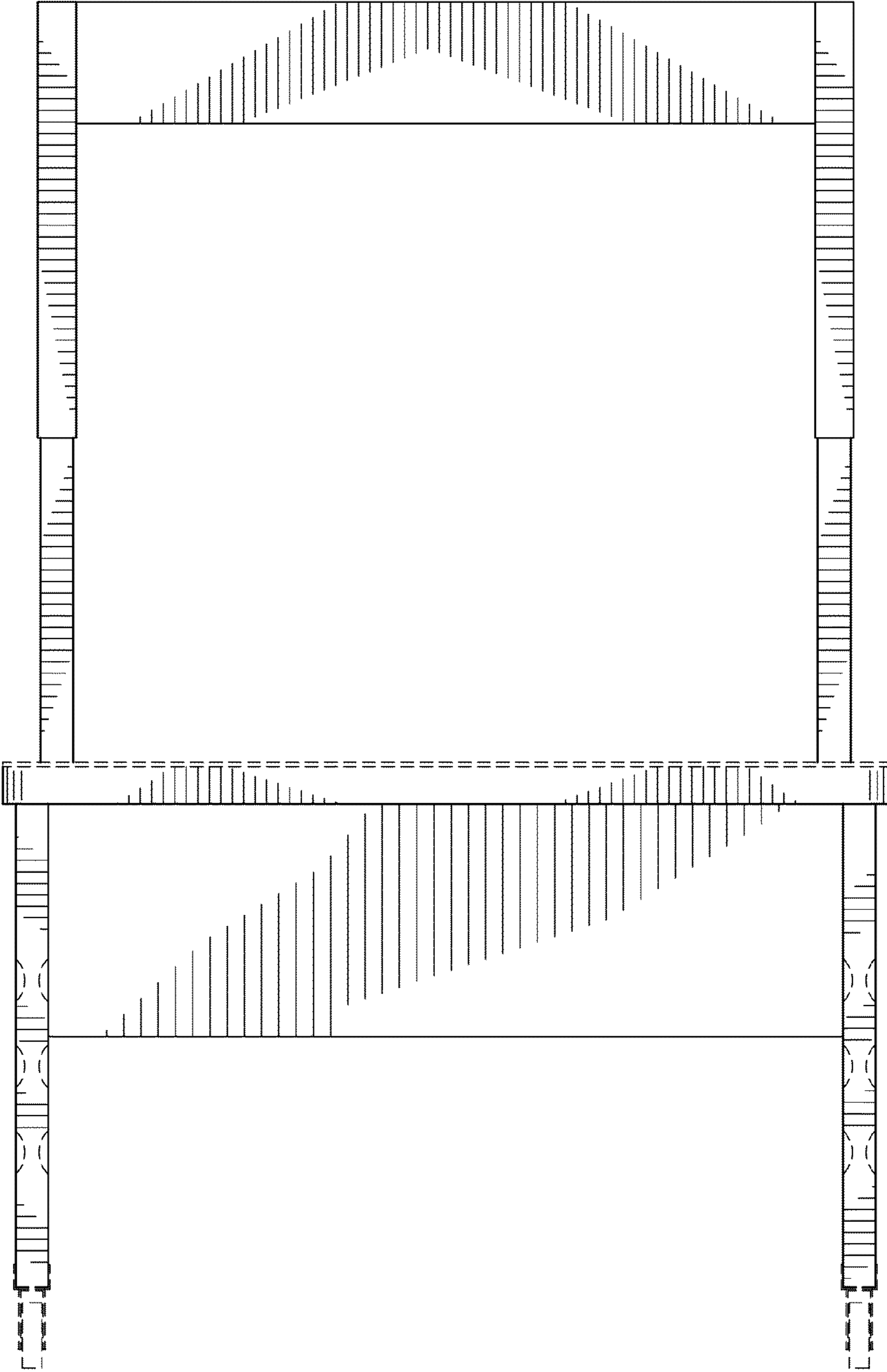


FIG. 5

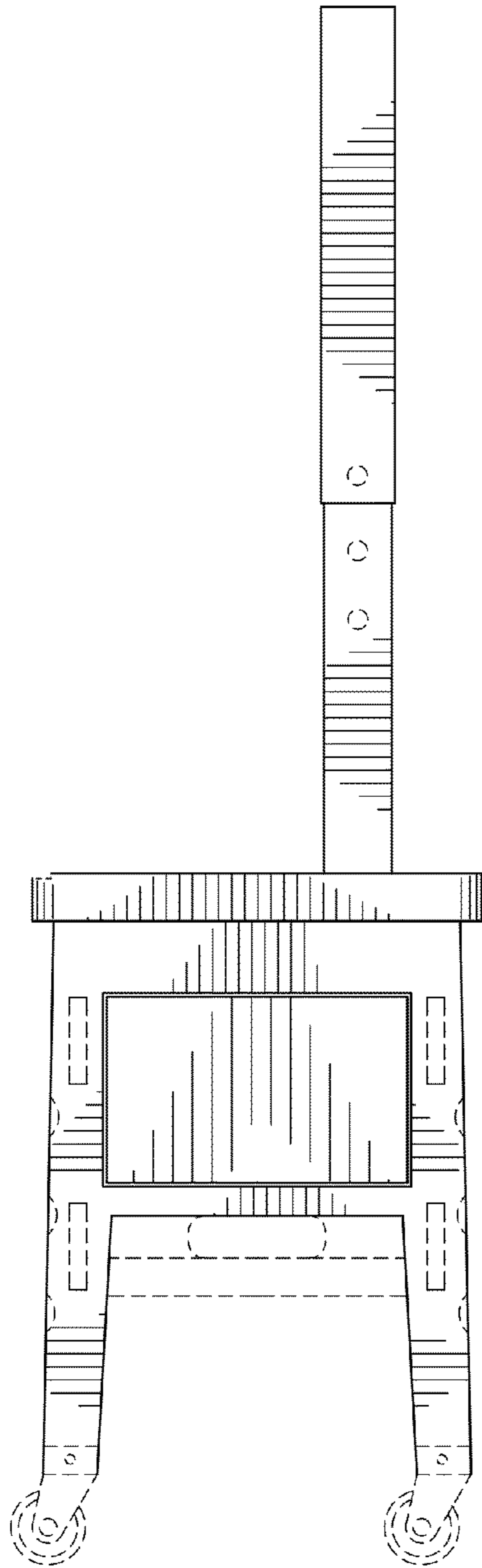
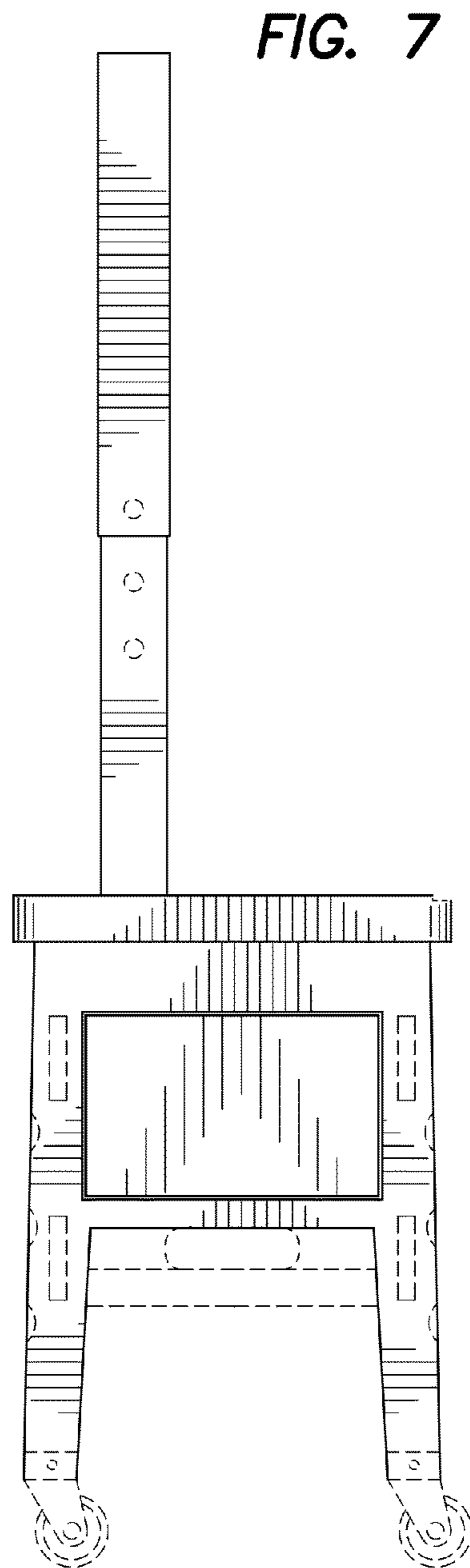


FIG. 6



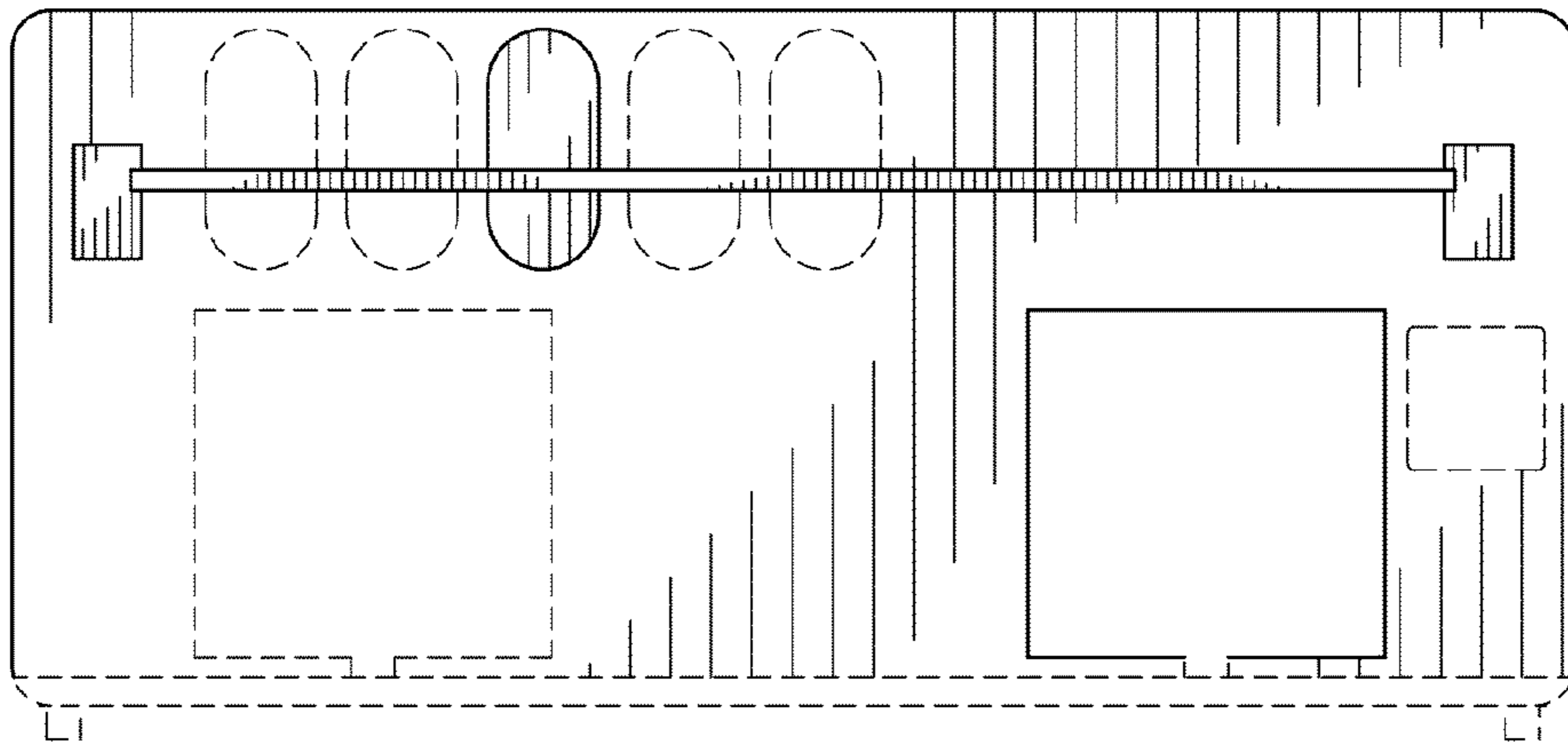


FIG. 8

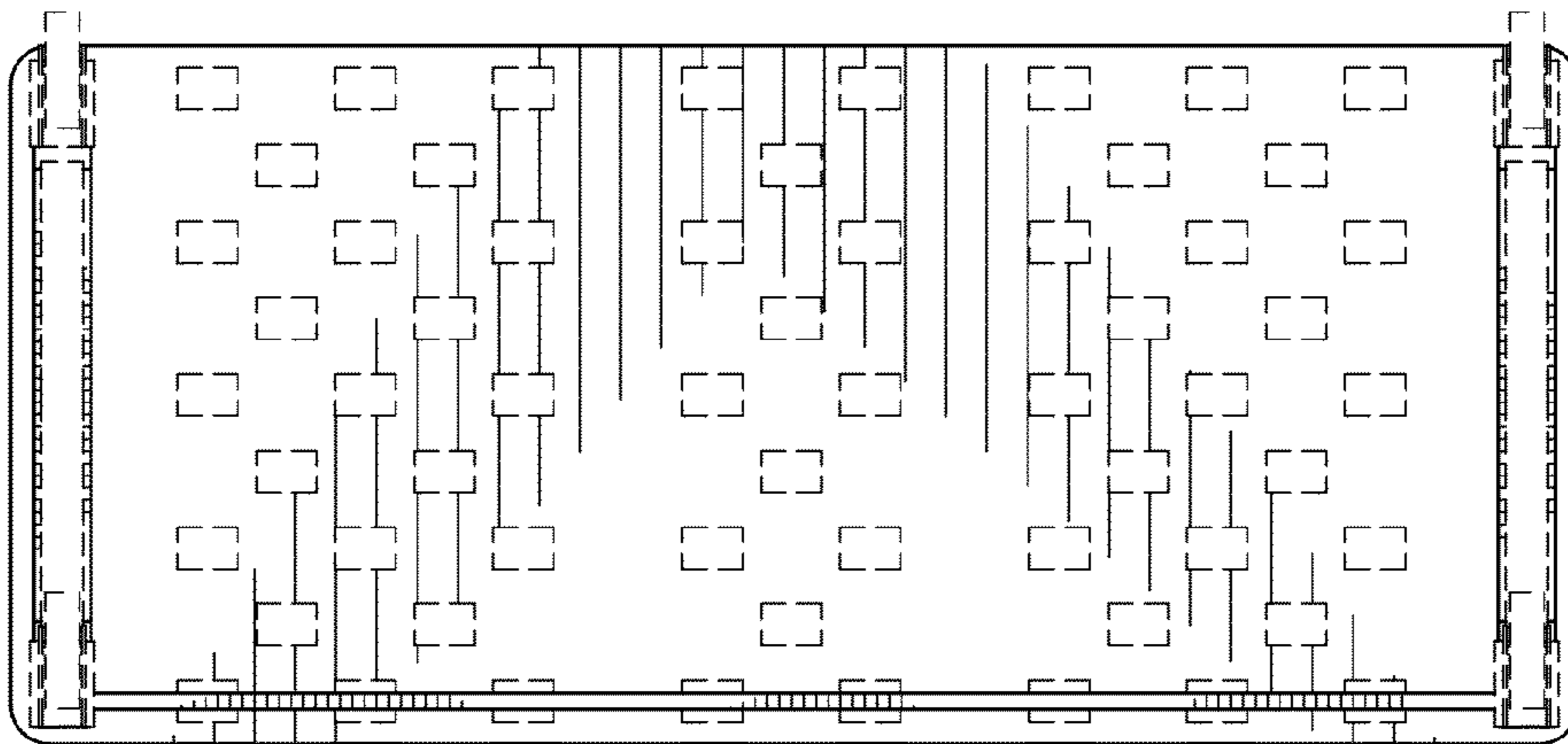


FIG. 9