



US00D725944S

(12) **United States Design Patent**  
**Eubank**

(10) **Patent No.:** **US D725,944 S**  
(45) **Date of Patent:** **\*\* Apr. 7, 2015**

(54) **BED COVER HOLDER**  
(71) Applicant: **Doreen Eubank**, Aurora, CO (US)  
(72) Inventor: **Doreen Eubank**, Aurora, CO (US)  
(\*\*) Term: **14 Years**  
(21) Appl. No.: **29/468,066**  
(22) Filed: **Sep. 26, 2013**  
(51) **LOC (10) Cl.** ..... **06-99**  
(52) **U.S. Cl.**  
USPC ..... **D6/607**  
(58) **Field of Classification Search**  
CPC ..... A47C 23/00; A47C 23/02; A47C 23/06;  
A47C 27/06; A47C 27/08; A47C 27/081;  
A47C 27/128; A47C 31/12-31/123  
USPC ..... D6/382, 388, 393, 406.1, 406.3, 599,  
D6/602, 604-607, 642, 646, 647, 650, 653,  
D6/653.11, 653.16, 653.18, 653.19, 655,  
D6/655.17, 655.18, 655.2, 655.23, 655.22,  
D6/656.1, 656.11-656.13, 656.19, 665,  
D6/665.23, 708; D8/403; D25/113,  
D25/115-117, 133, 136; 5/400, 504.1,  
5/505.1, 506.1, 507.1, 706-708, 710-711  
See application file for complete search history.

D273,643	S	5/1984	Sanker	
4,570,275	A *	2/1986	Merriman	5/505.1
4,829,615	A *	5/1989	Raymond	5/731
5,001,795	A	3/1991	Kasten	
5,305,480	A	4/1994	Loren	
5,426,800	A	6/1995	St. John	
D367,385	S	2/1996	Kasten	
D379,283	S *	5/1997	Antinori	D6/606
5,652,979	A	8/1997	Pugh	
5,680,660	A	10/1997	Johanknecht	
5,699,565	A	12/1997	Petterborg	
5,774,913	A	7/1998	Allen	
5,946,751	A *	9/1999	DeMay	5/504.1
D472,746	S	4/2003	Hall	
6,834,403	B1 *	12/2004	Elliott	5/505.1
7,096,527	B2	8/2006	Malik	
7,296,311	B1 *	11/2007	Navarrette	5/507.1
7,509,696	B2 *	3/2009	Soto et al.	5/507.1
7,617,552	B2 *	11/2009	Strickland	5/505.1
8,800,079	B1 *	8/2014	Eubank	5/504.1
2009/0235455	A1 *	9/2009	Strickland	5/505.1
2011/0314606	A1 *	12/2011	Tipperreiter	5/505.1

\* cited by examiner

*Primary Examiner* — Karen S Acker  
*Assistant Examiner* — Clare Ann Gannon  
(74) *Attorney, Agent, or Firm* — Leyendecker & Lemire, LLC; Kurt Leyendecker

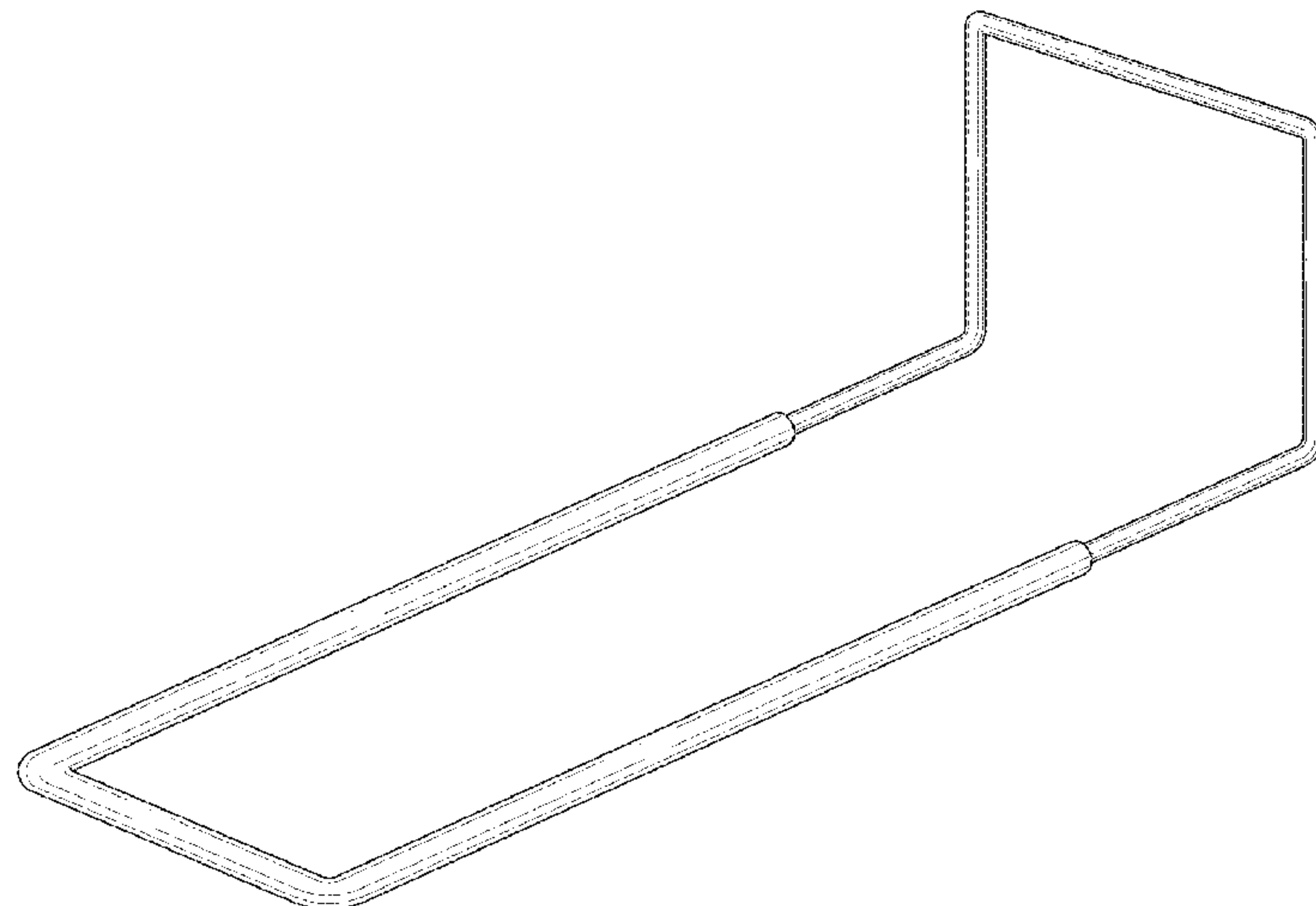
(56) **References Cited**  
U.S. PATENT DOCUMENTS  
1,577,089 A \* 3/1926 Whitford ..... 5/505.1  
2,244,310 A \* 6/1941 Murphy ..... 5/690  
2,562,333 A 7/1951 Ries  
2,976,546 A 3/1961 Owens  
2,979,736 A 4/1961 Kemman  
3,241,159 A 3/1966 Reed  
3,435,469 A 4/1969 Fricke  
3,885,256 A 5/1975 Du Boff  
D251,521 S \* 4/1979 Gibson ..... D6/382  
D261,576 S \* 11/1981 Heritage ..... D6/368

(57) **CLAIM**  
The ornamental design for a bed cover holder, as shown and described.

**DESCRIPTION**

FIG. 1 is a perspective view of the bed cover holder;  
FIG. 2 is a side view of the bed cover holder;  
FIG. 3 is a top view of the bed cover holder;  
FIG. 4 is a bottom view of the bed cover holder;  
FIG. 5 is a first end view of the bed cover holder; and,  
FIG. 6 is a second end view of the bed cover holder.

**1 Claim, 5 Drawing Sheets**



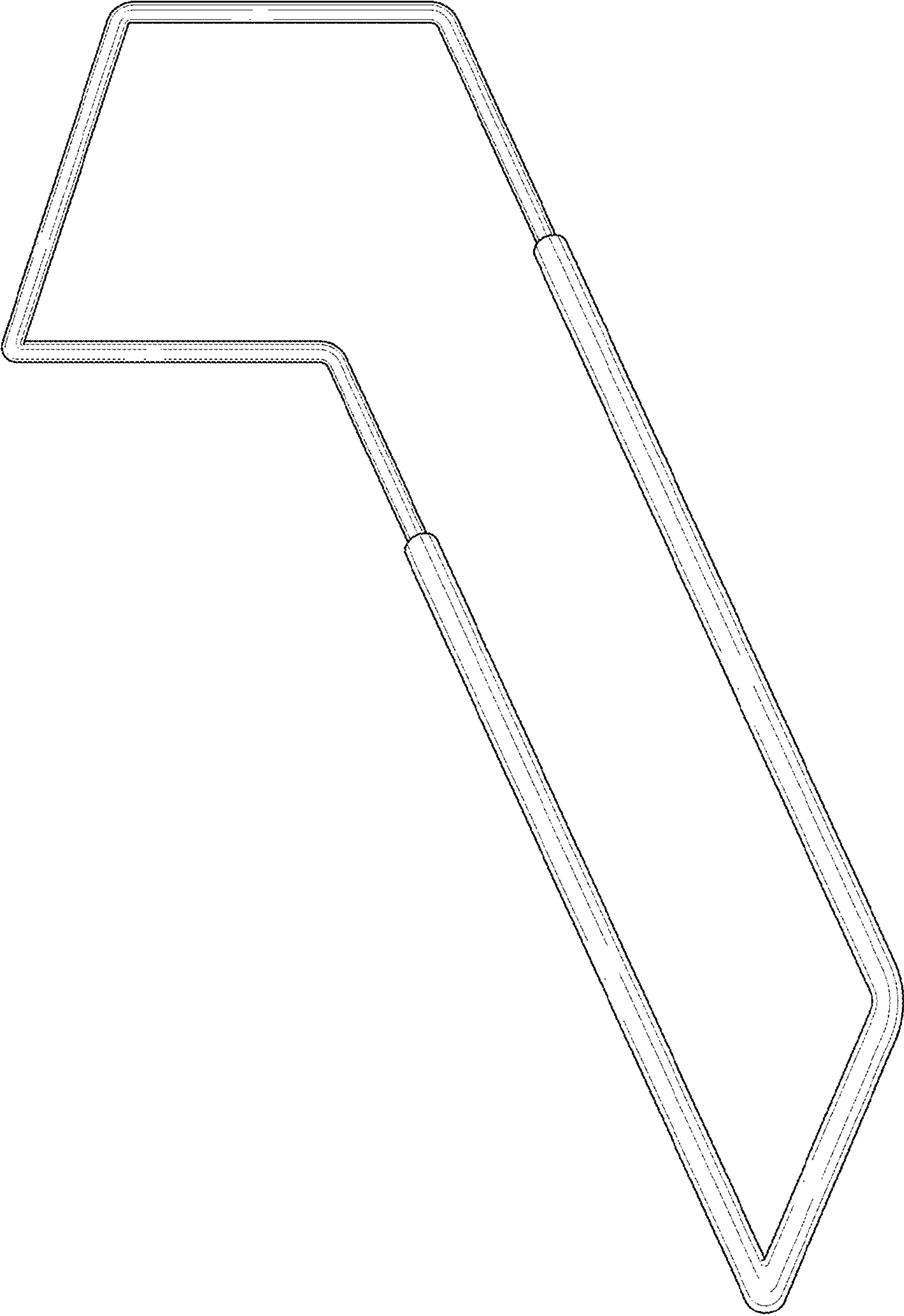


FIG. 1

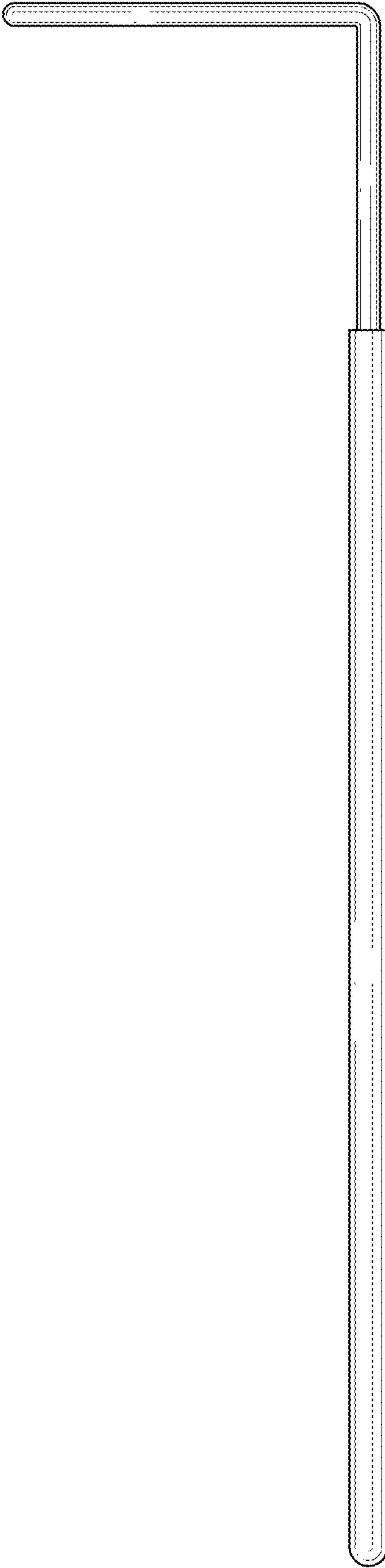


FIG. 2

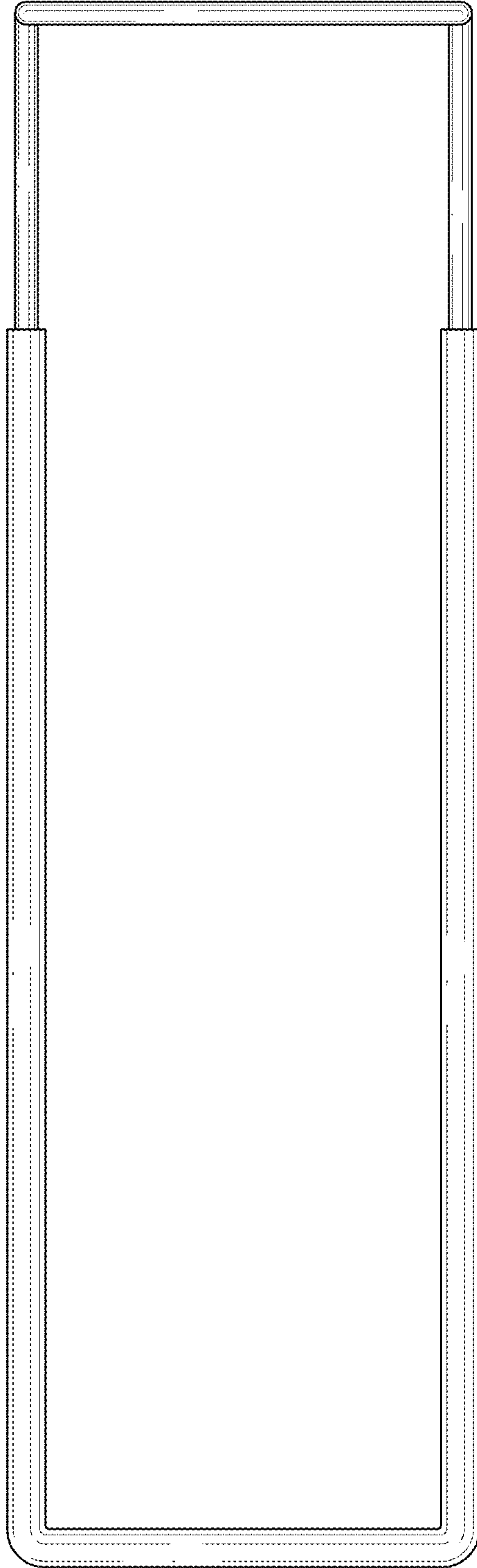


FIG. 3

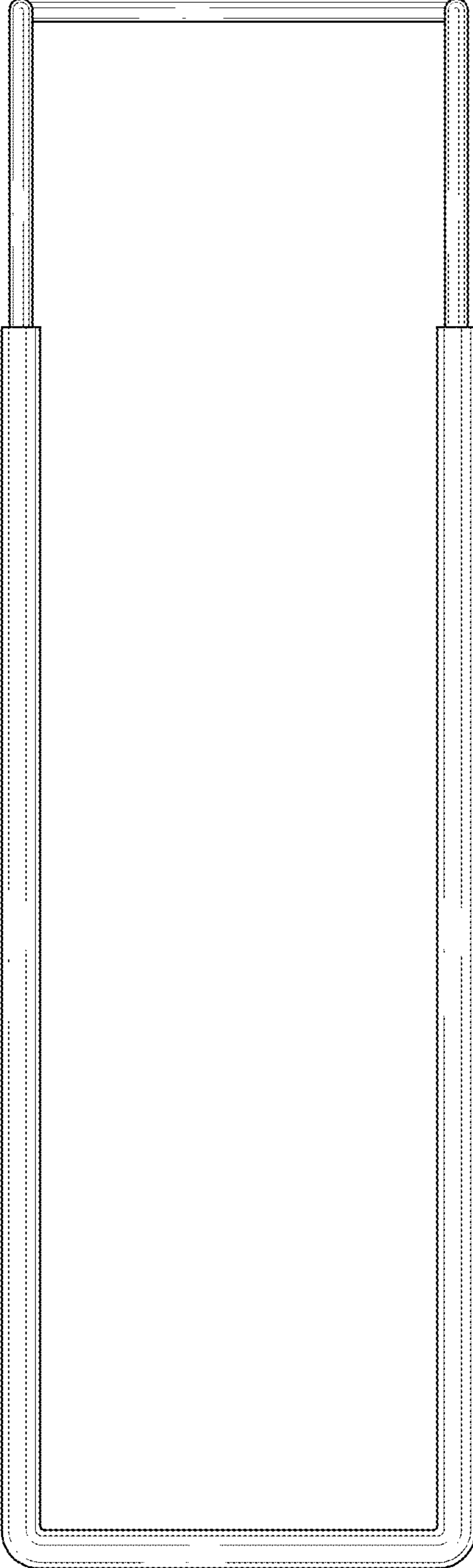


FIG. 4

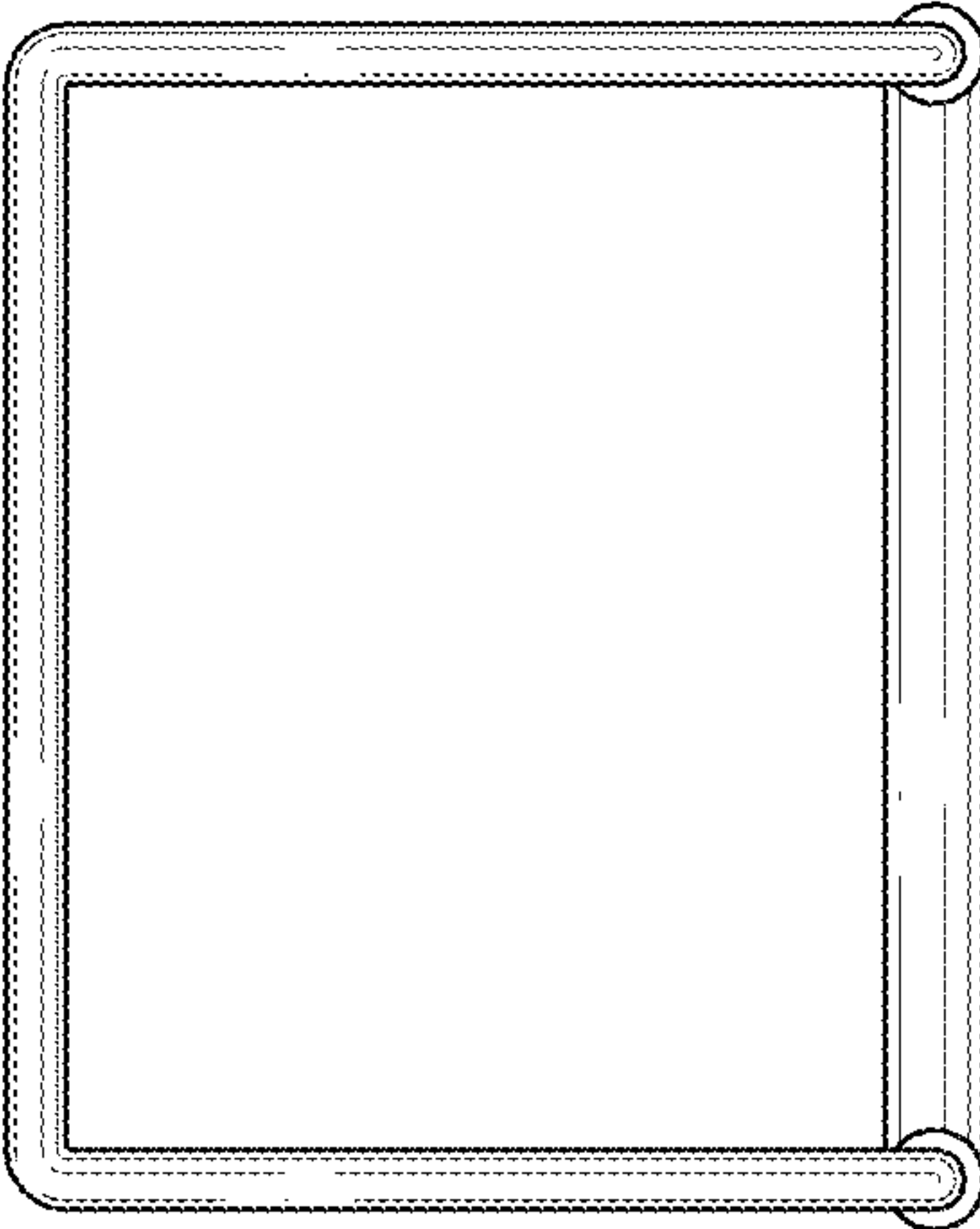


FIG. 5

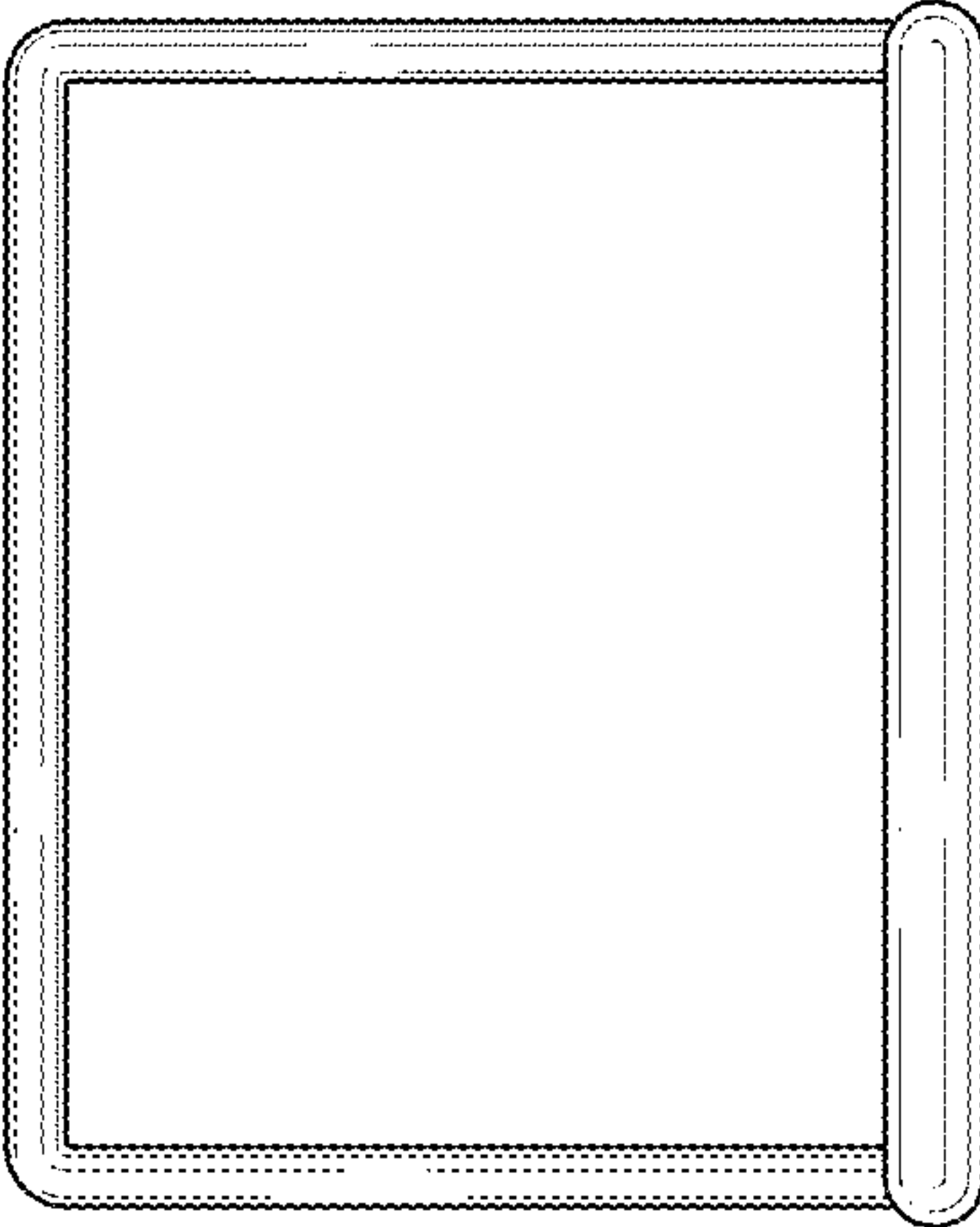


FIG. 6