



US00D725939S

(12) **United States Design Patent**
Sheehan

(10) **Patent No.:** **US D725,939 S**

(45) **Date of Patent:** **** Apr. 7, 2015**

(54) **STORAGE RACK WITH REMOVABLE PEGS**

(71) Applicant: **Innovative Products International, LLC, Denver, CO (US)**

(72) Inventor: **Michael P. Sheehan, Denver, CO (US)**

(**) Term: **14 Years**

(21) Appl. No.: **29/459,276**

(22) Filed: **Jun. 27, 2013**

(51) **LOC (10) Cl.** **06-04**

(52) **U.S. Cl.**
USPC **D6/553**

(58) **Field of Classification Search**
USPC D6/553, 567, 569, 570; 211/13.1, 14.1, 211/181.1, 87.01; 248/302, 304, 309.1, 248/311.2, 489, 490, 220.31
See application file for complete search history.

(56) **References Cited**

U.S. PATENT DOCUMENTS

D132,368	S	*	5/1942	Jorgensen	D6/556
3,941,343	A	*	3/1976	Kennedy	248/220.31
D253,737	S	*	12/1979	Brink	D6/552
D289,725	S	*	5/1987	Lemay	D6/553
5,372,346	A	*	12/1994	Upchurch et al.	248/304
D364,769	S	*	12/1995	Hickman	D6/567

5,499,724	A	*	3/1996	Hickman	211/87.01
5,813,549	A	*	9/1998	Sheehan et al.	211/87.01
5,813,550	A	*	9/1998	Sheehan et al.	
D399,692	S	*	10/1998	Wilcox	D6/567
D417,115	S	*	11/1999	Creel	D6/567
D604,980	S	*	12/2009	Beck	D6/567

* cited by examiner

Primary Examiner — Brian N Vinson

(74) *Attorney, Agent, or Firm* — The Reilly Intellectual Property Law Firm, P.C.

(57) **CLAIM**

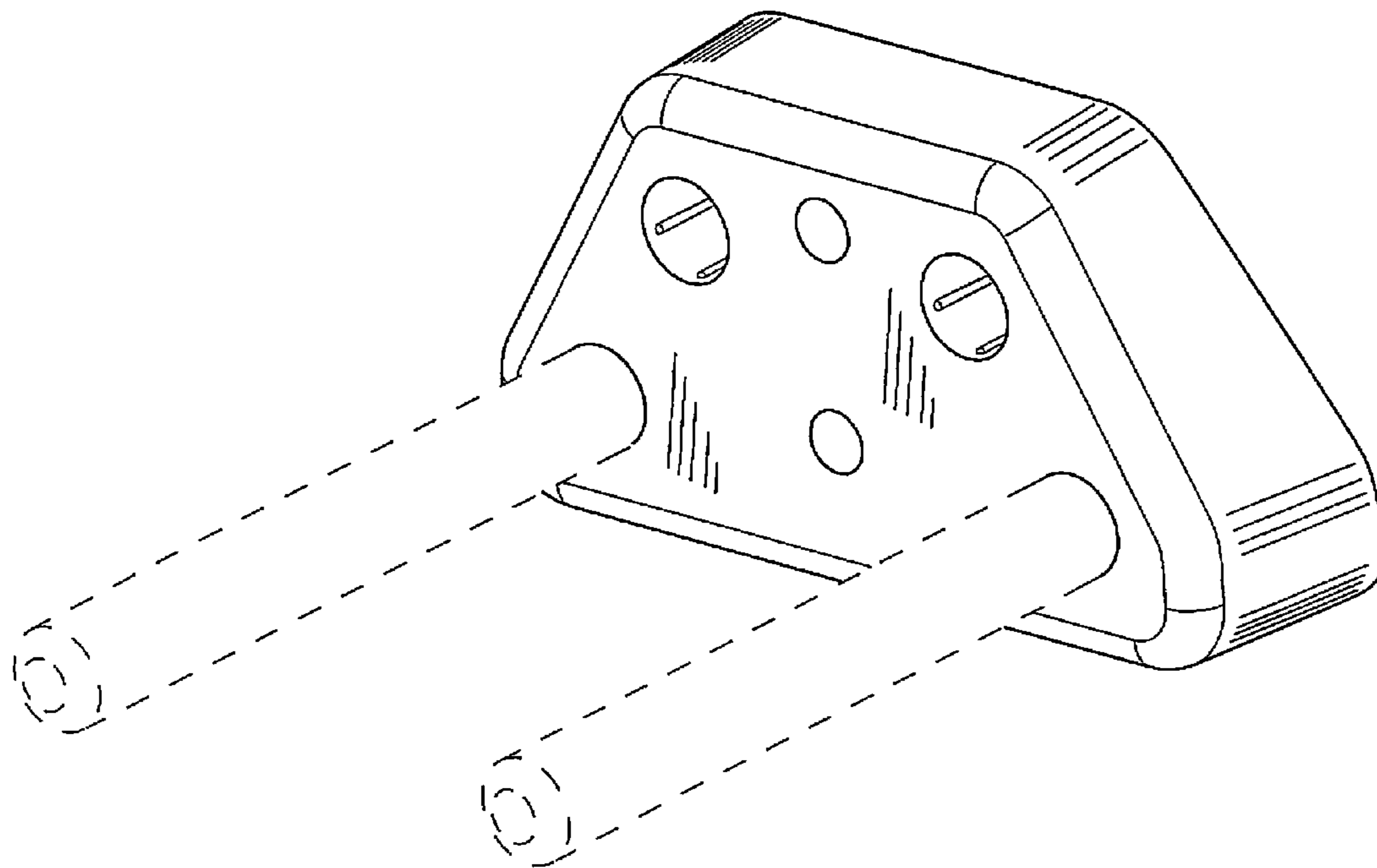
The ornamental design for a storage rack with removable pegs, as shown and described.

DESCRIPTION

FIG. 1 is a front perspective view of my design; FIG. 2 is front view of the embodiment shown in FIG. 1; FIG. 3 is a bottom view of the embodiment shown in FIG. 1; FIG. 4 is a side view of the embodiment shown in FIG. 1; FIG. 5 is a top plan view of the embodiment shown in FIG. 1; FIG. 6 is a rear view of the embodiment shown in FIG. 1; and, FIG. 7 is a top, front perspective view of the embodiments shown in FIG. 1.

The broken lines used in FIG. 1 of the drawings disclosure are for illustrative purposes only and form no part of the claimed design.

1 Claim, 4 Drawing Sheets



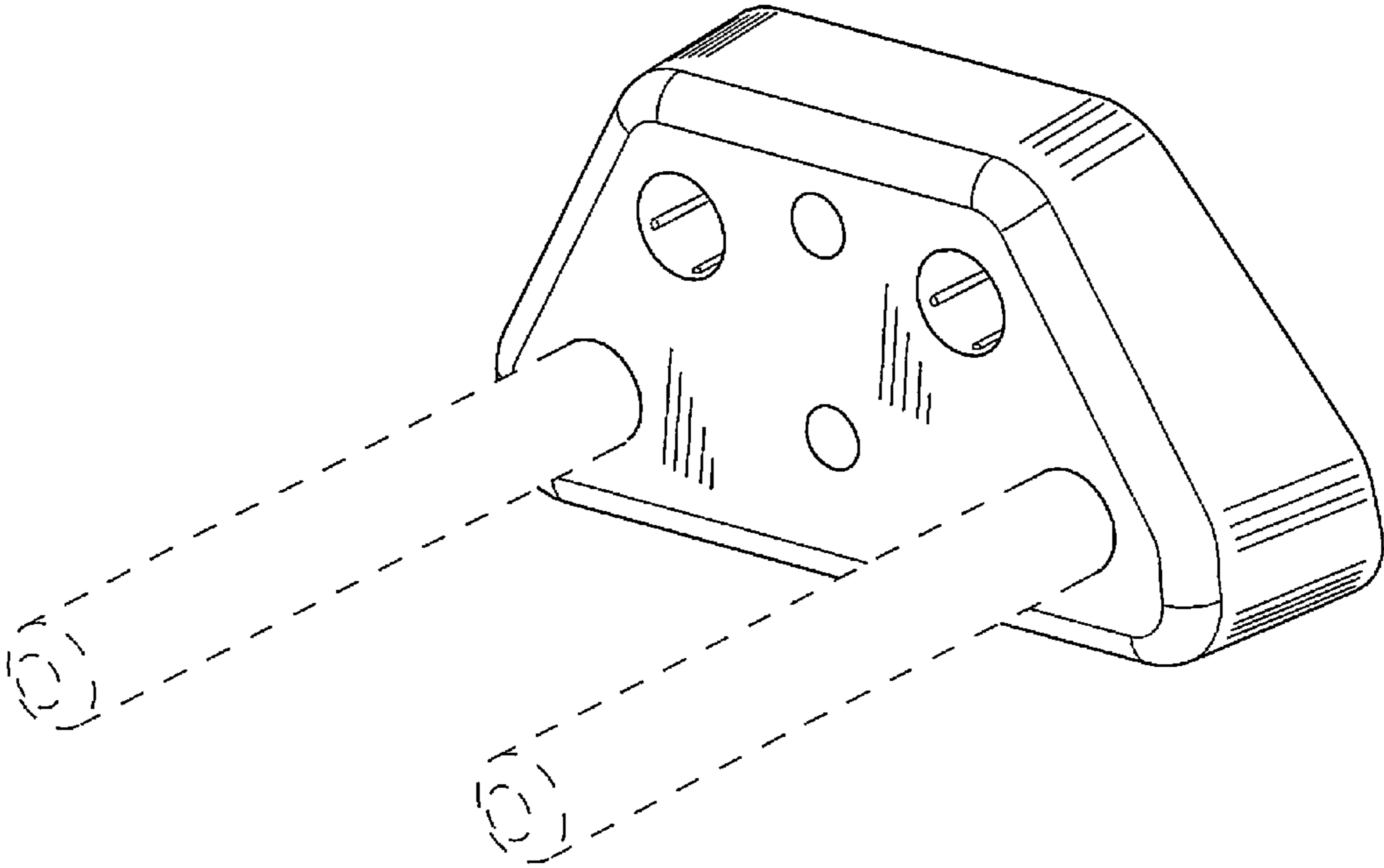


FIG.1

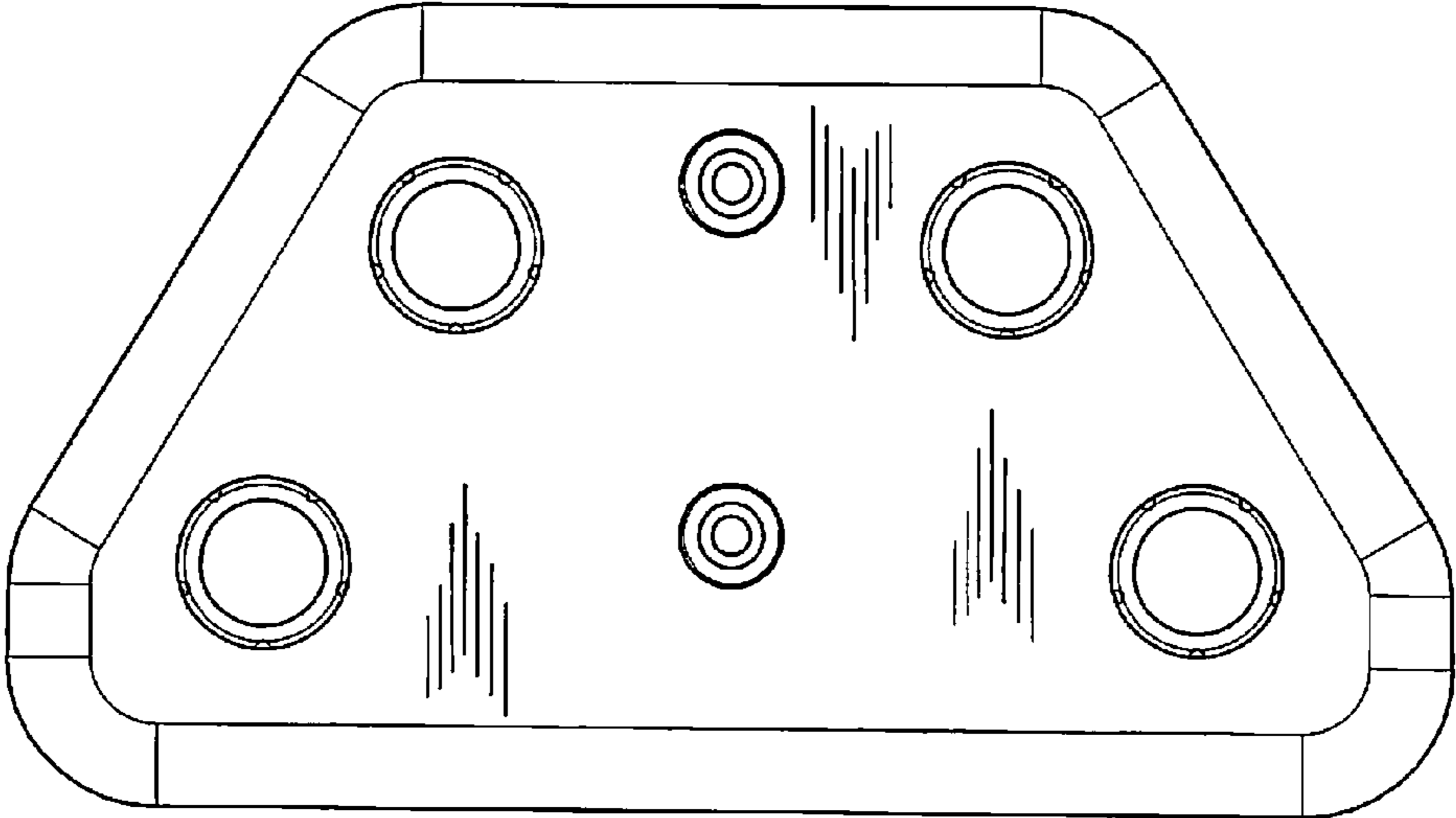


FIG.2

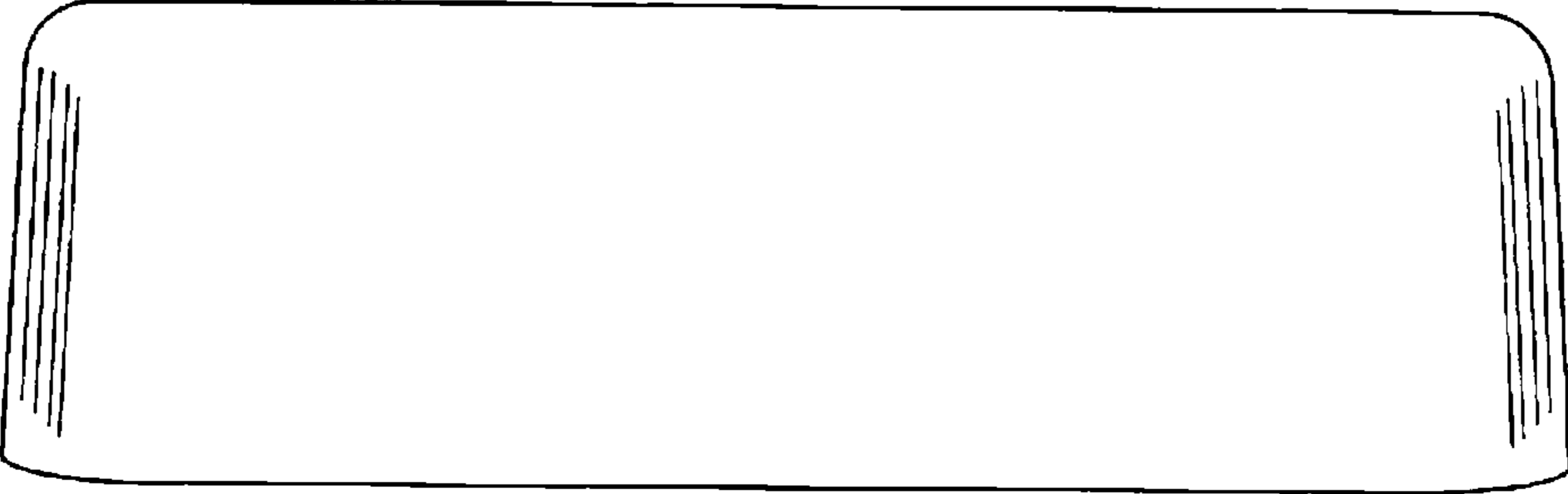


FIG.3

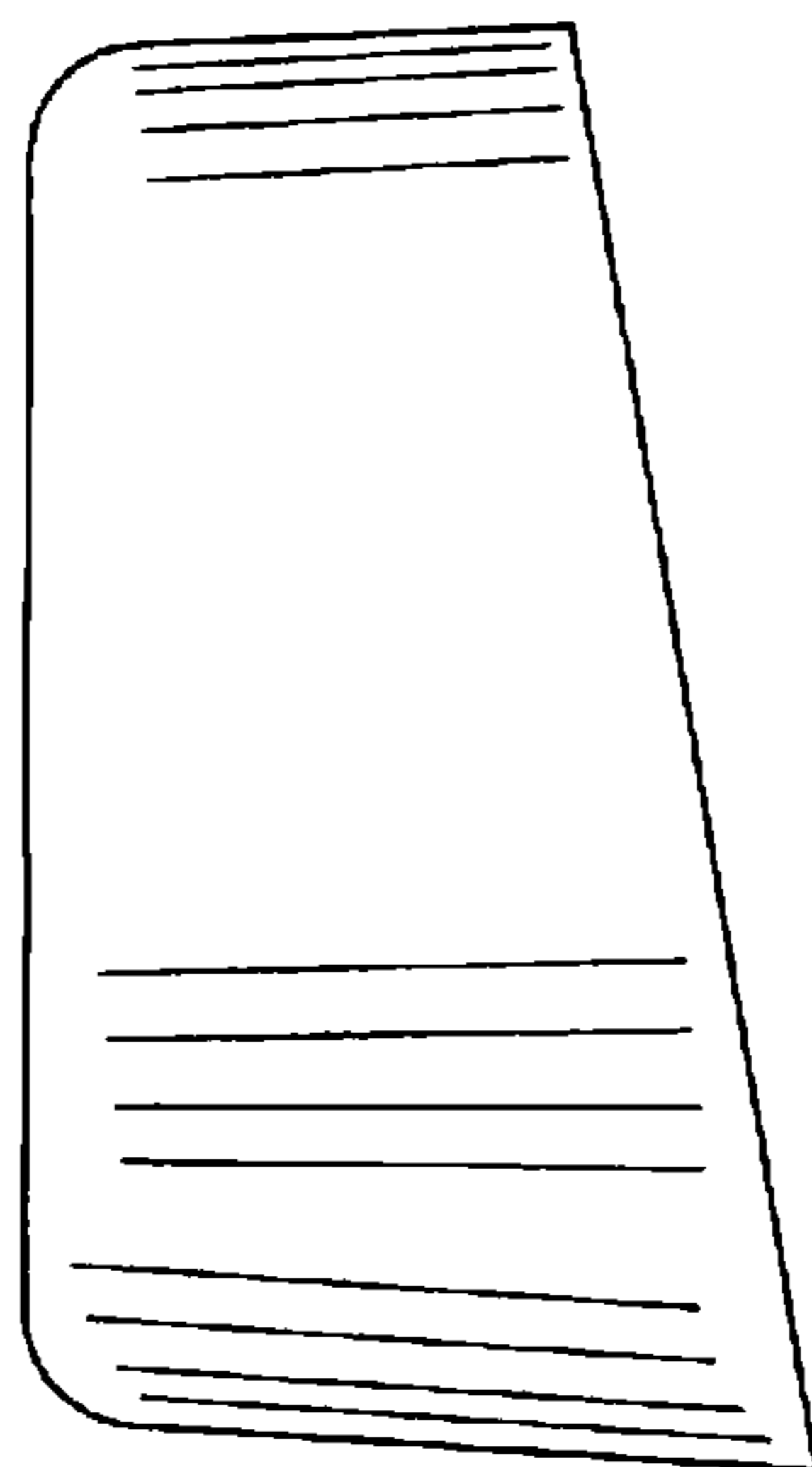


FIG. 4

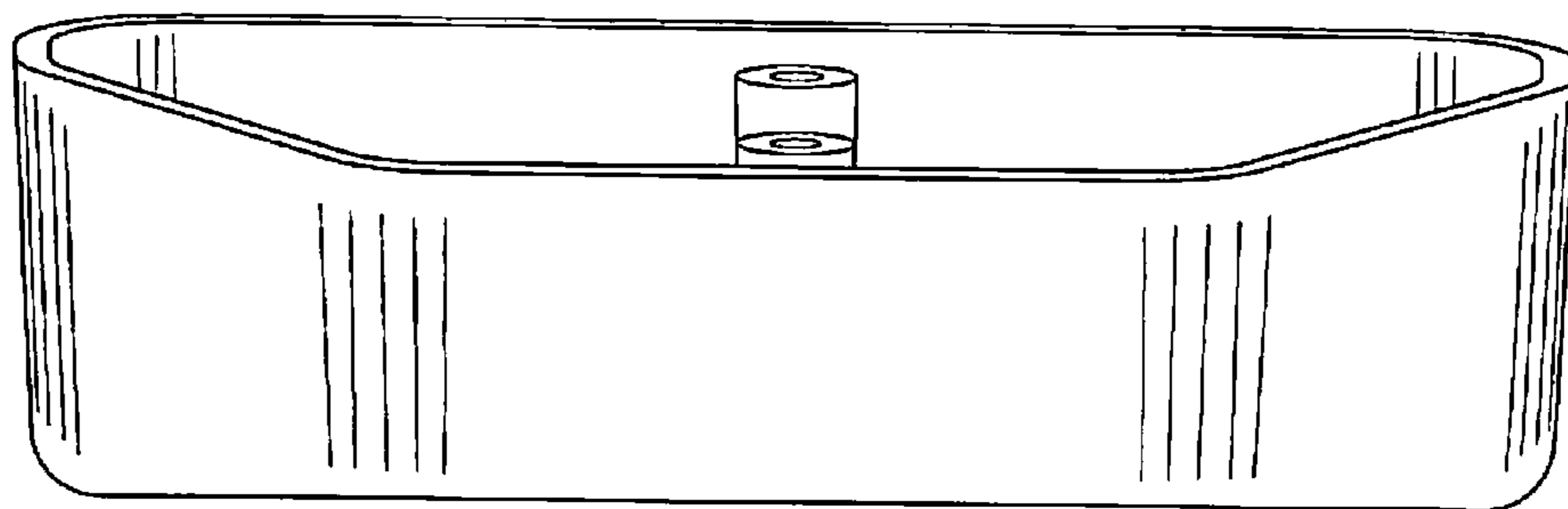


FIG. 5

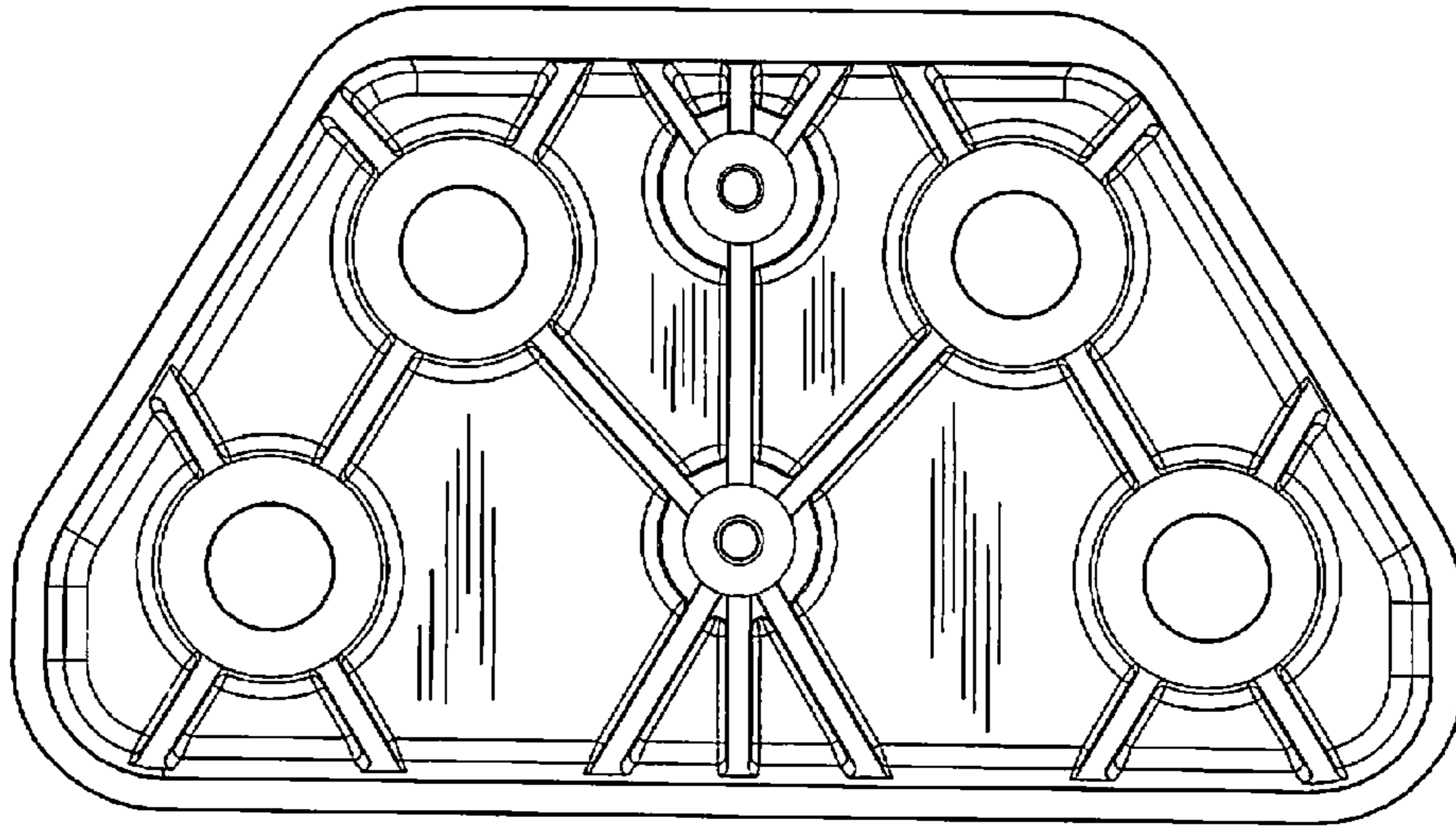


FIG. 6

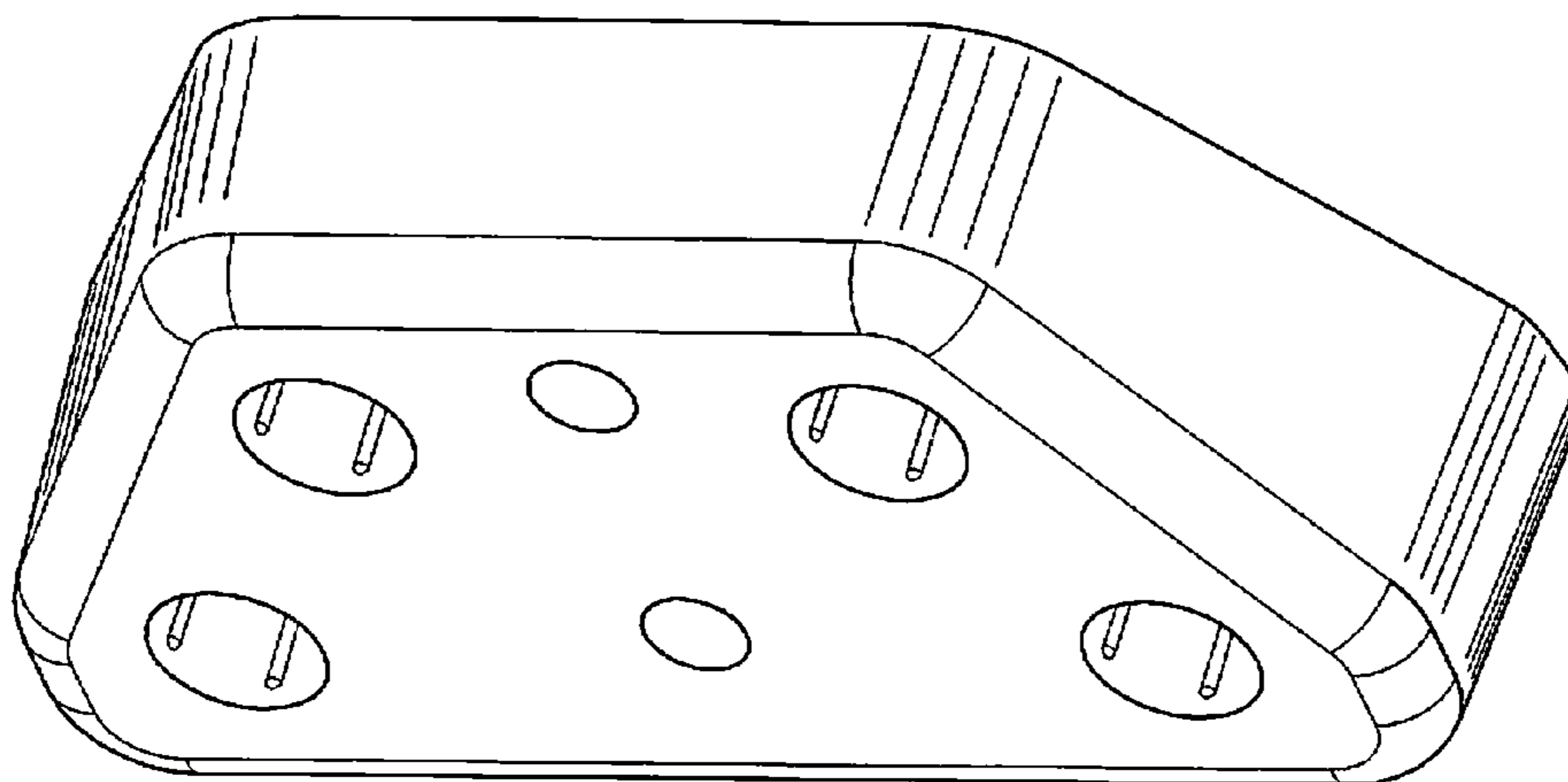


FIG. 7