



US00D725938S

(12) **United States Design Patent**  
**Hendricks**

(10) **Patent No.:** **US D725,938 S**  
(45) **Date of Patent:** **\*\* Apr. 7, 2015**

(54) **DUMBBELL STAND**

(71) Applicant: **Nautilus, Inc**, Vancouver, WA (US)

(72) Inventor: **Kevin M. Hendricks**, Portland, OR (US)

(73) Assignee: **Nautilus, Inc.**, Vancouver, WA (US)

(\*\*) Term: **14 Years**

(21) Appl. No.: **29/493,902**

(22) Filed: **Jun. 13, 2014**

(51) **LOC (10) Cl.** ..... **08-08**

(52) **U.S. Cl.**  
USPC ..... **D6/552**

(58) **Field of Classification Search**  
USPC ..... D6/552; D21/662, 686, 691; 482/104,  
482/148; 248/339; 211/13.2, 85  
See application file for complete search history.

(56) **References Cited**

**U.S. PATENT DOCUMENTS**

D555,961 S	*	11/2007	Lien et al.	.....	D6/552
D565,132 S	*	3/2008	Lien et al.	.....	D6/552
D577,234 S	*	9/2008	Webber et al.	.....	D6/552
D603,637 S	*	11/2009	Anderson et al.	.....	D6/552

D677,504 S \* 3/2013 Childs ..... D6/552

\* cited by examiner

*Primary Examiner* — Brian N Vinson

(74) *Attorney, Agent, or Firm* — Dorsey & Whitney LLP

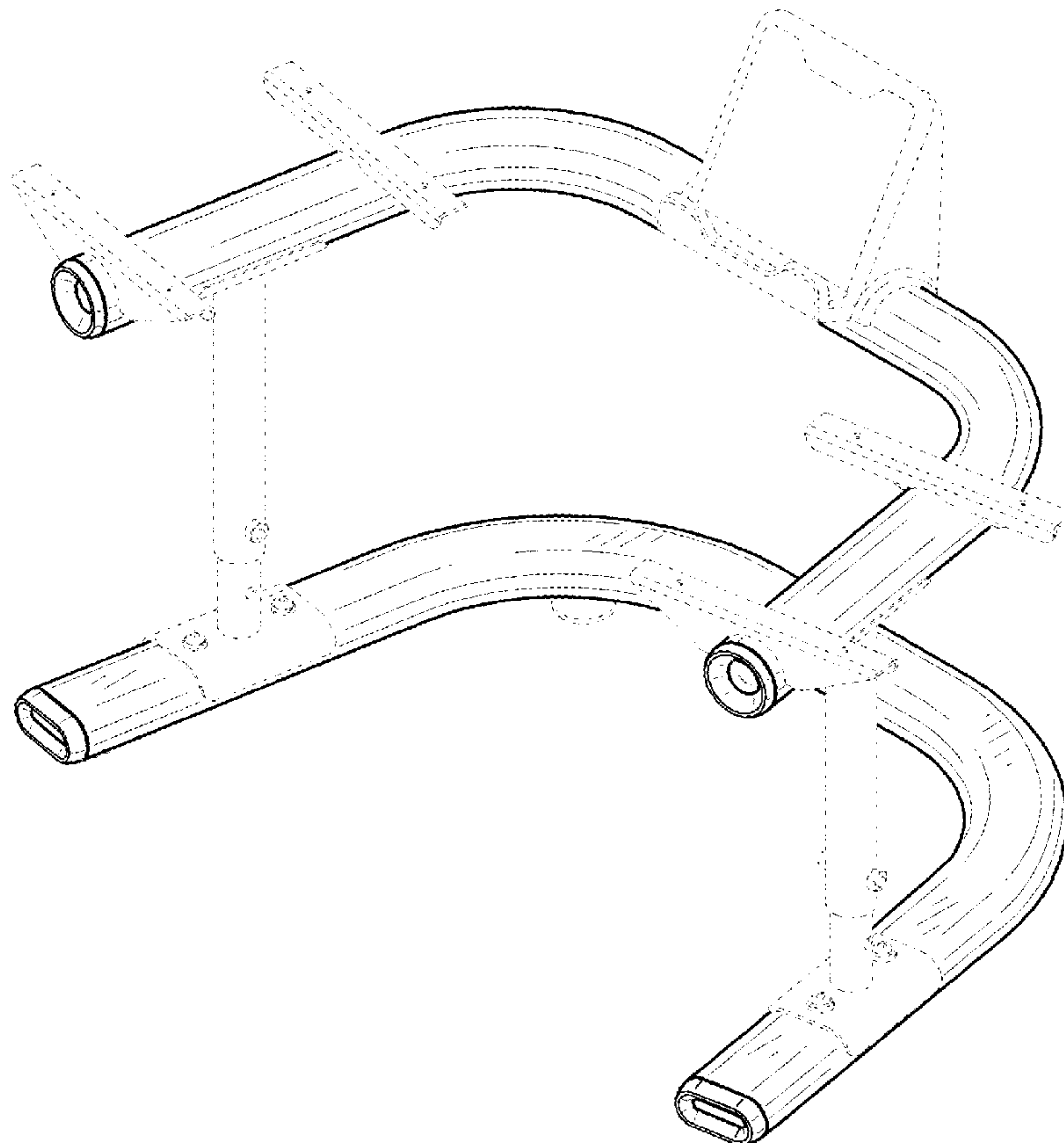
(57) **CLAIM**

The ornamental design for a dumbbell stand, as shown and described.

**DESCRIPTION**

FIG. 1 shows a front perspective view of a dumbbell stand in accordance with the present design;  
FIG. 2 shows a front elevation view of the dumbbell stand of FIG. 1;  
FIG. 3 shows a rear elevation view of the dumbbell stand of FIG. 1;  
FIG. 4 shows a right elevation view of the dumbbell stand of FIG. 1;  
FIG. 5 shows a left elevation view of the dumbbell stand of FIG. 1;  
FIG. 6 shows a top view of the dumbbell stand of FIG. 1; and,  
FIG. 7 shows a bottom view of the dumbbell stand of FIG. 1.  
The broken lines illustrate portions of the dumbbell stand that form no part of the claimed design.

**1 Claim, 6 Drawing Sheets**



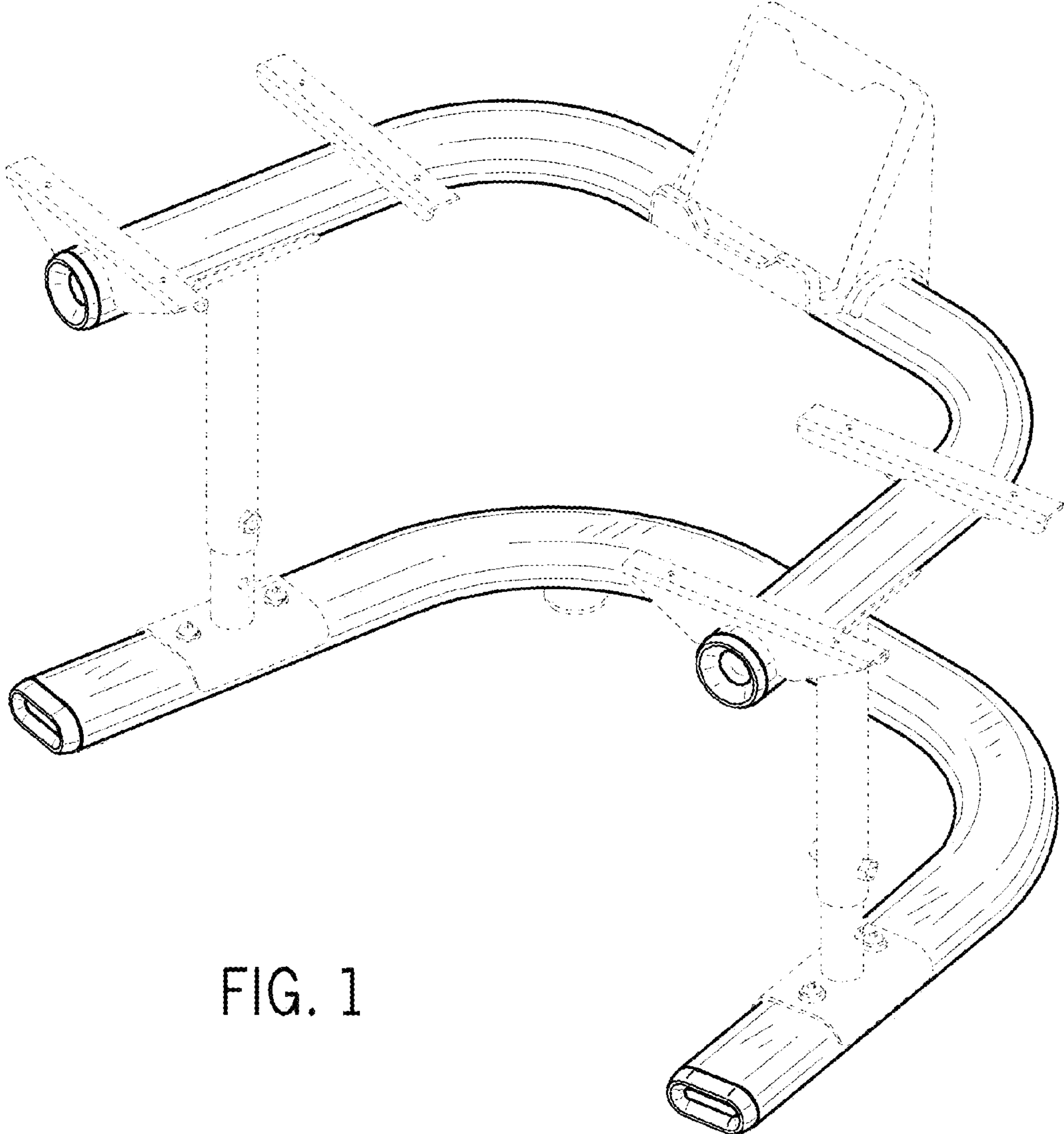


FIG. 1

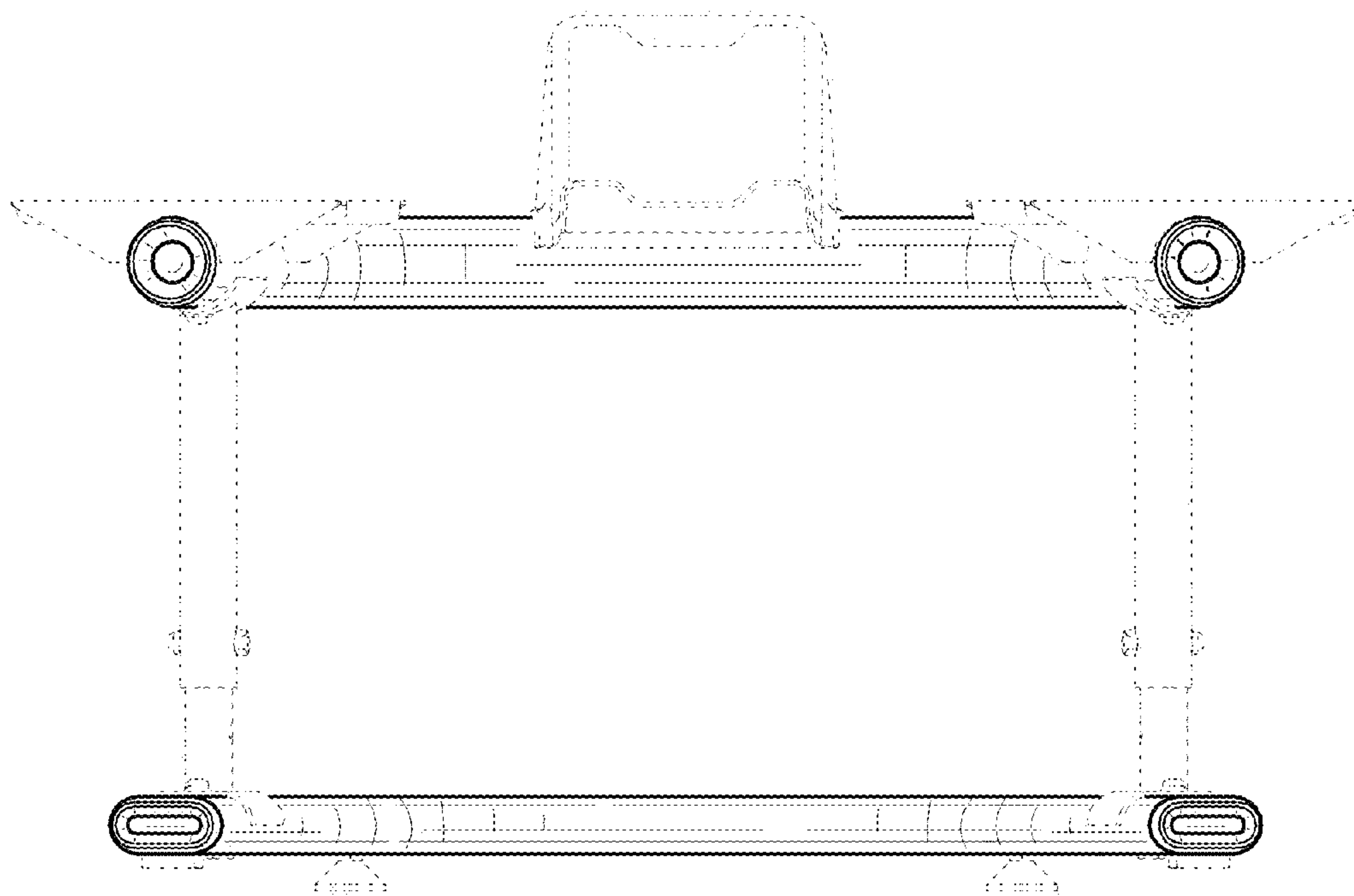


FIG. 2

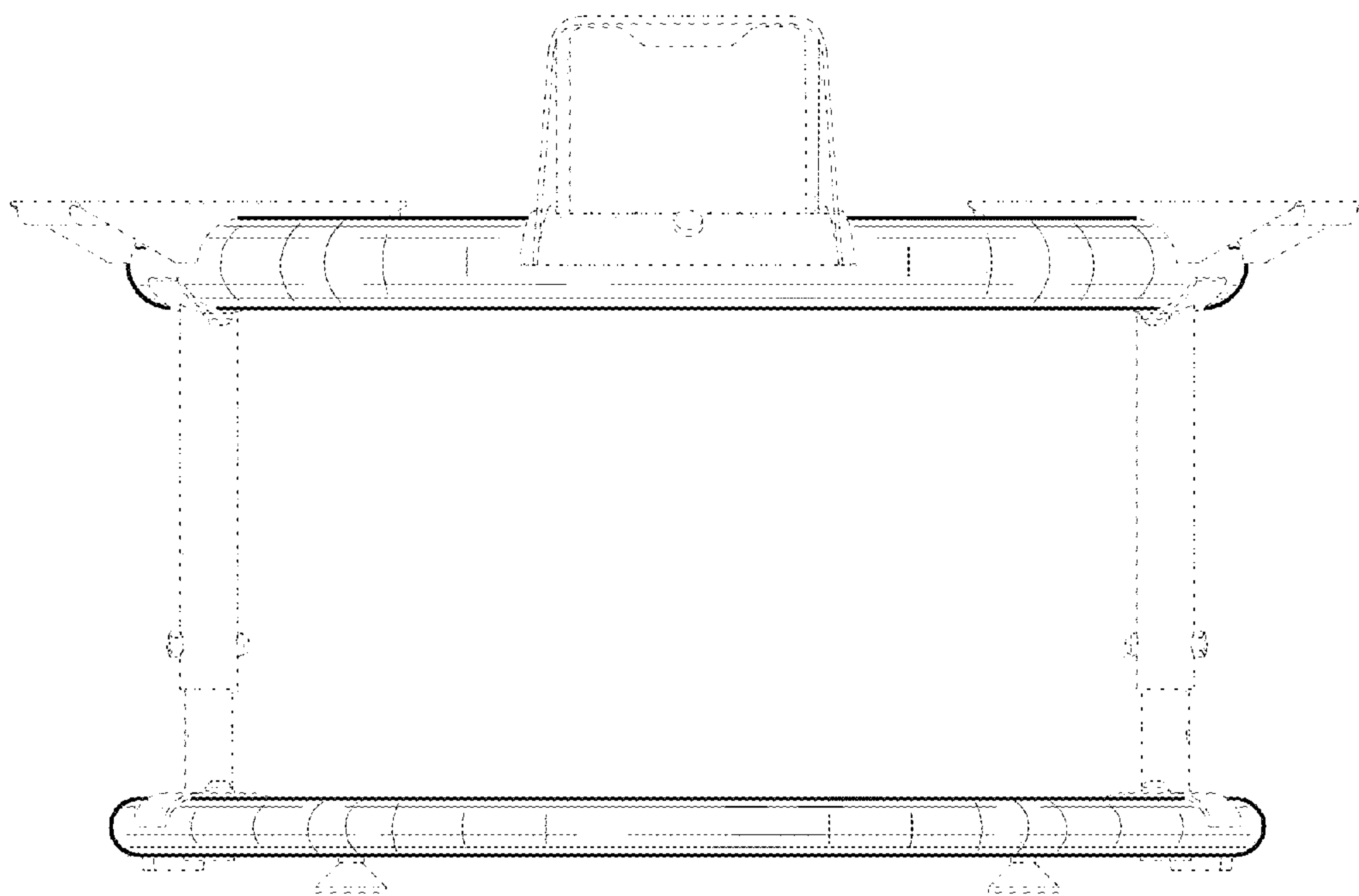


FIG. 3

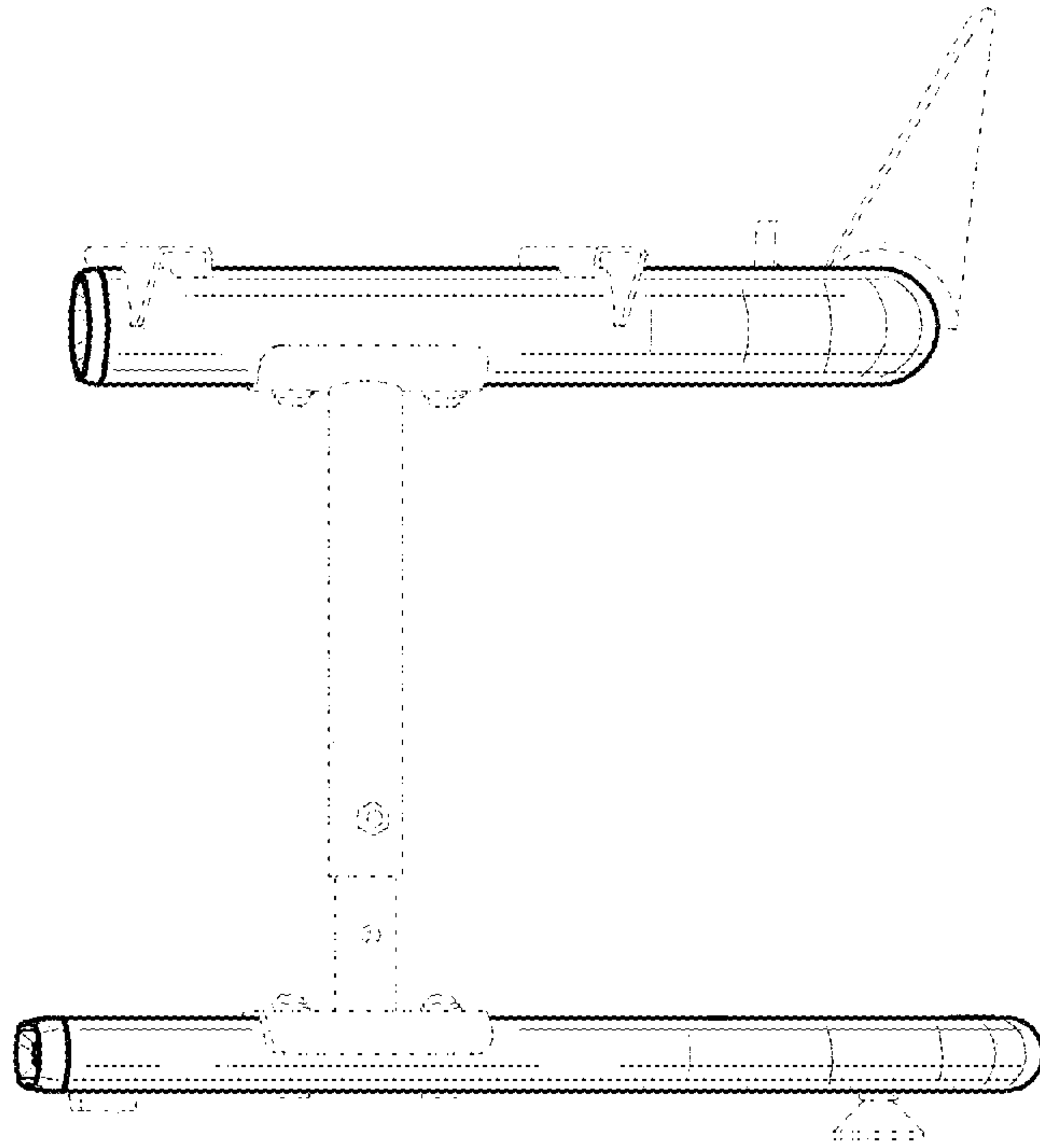


FIG. 4

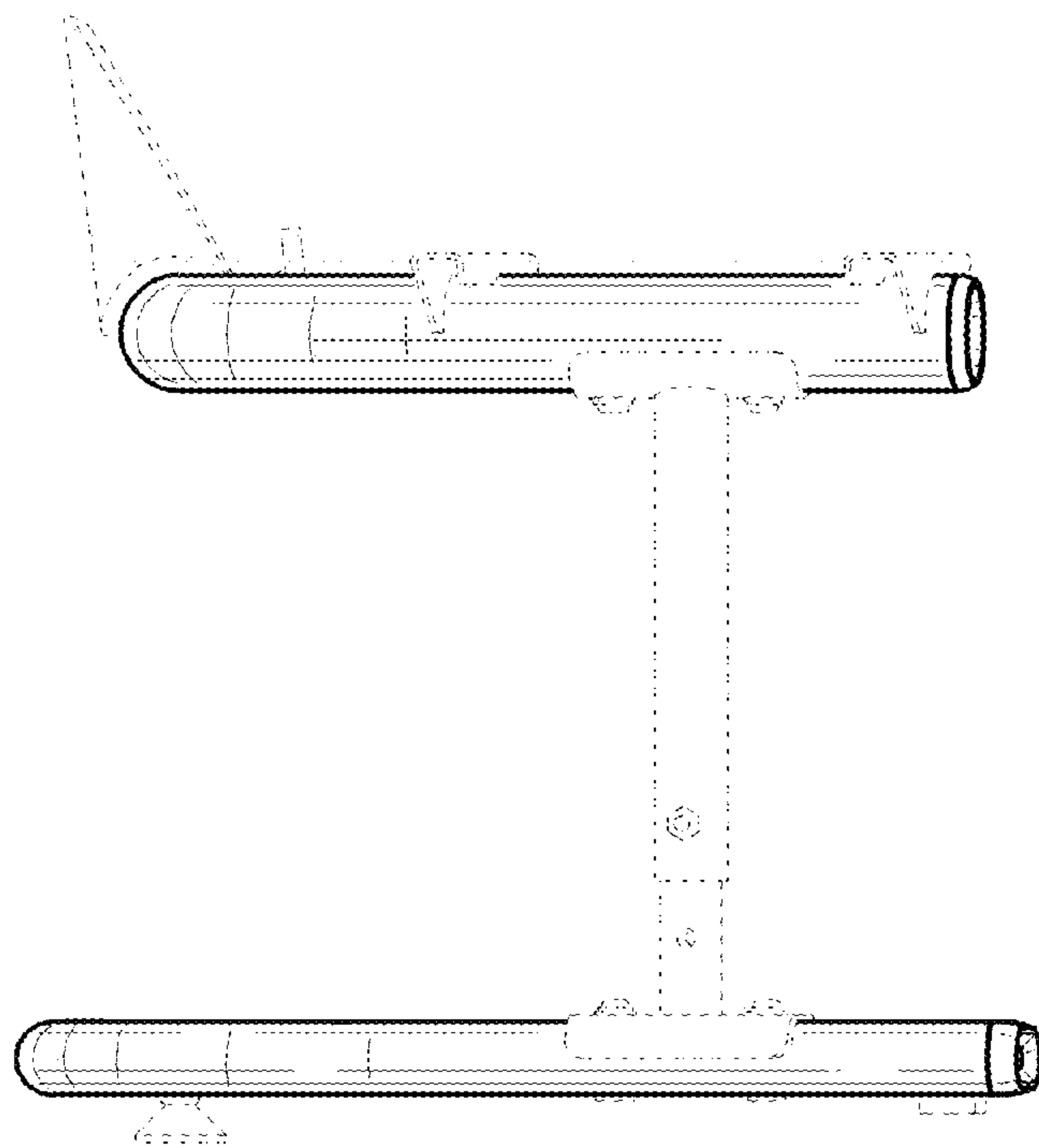


FIG. 5

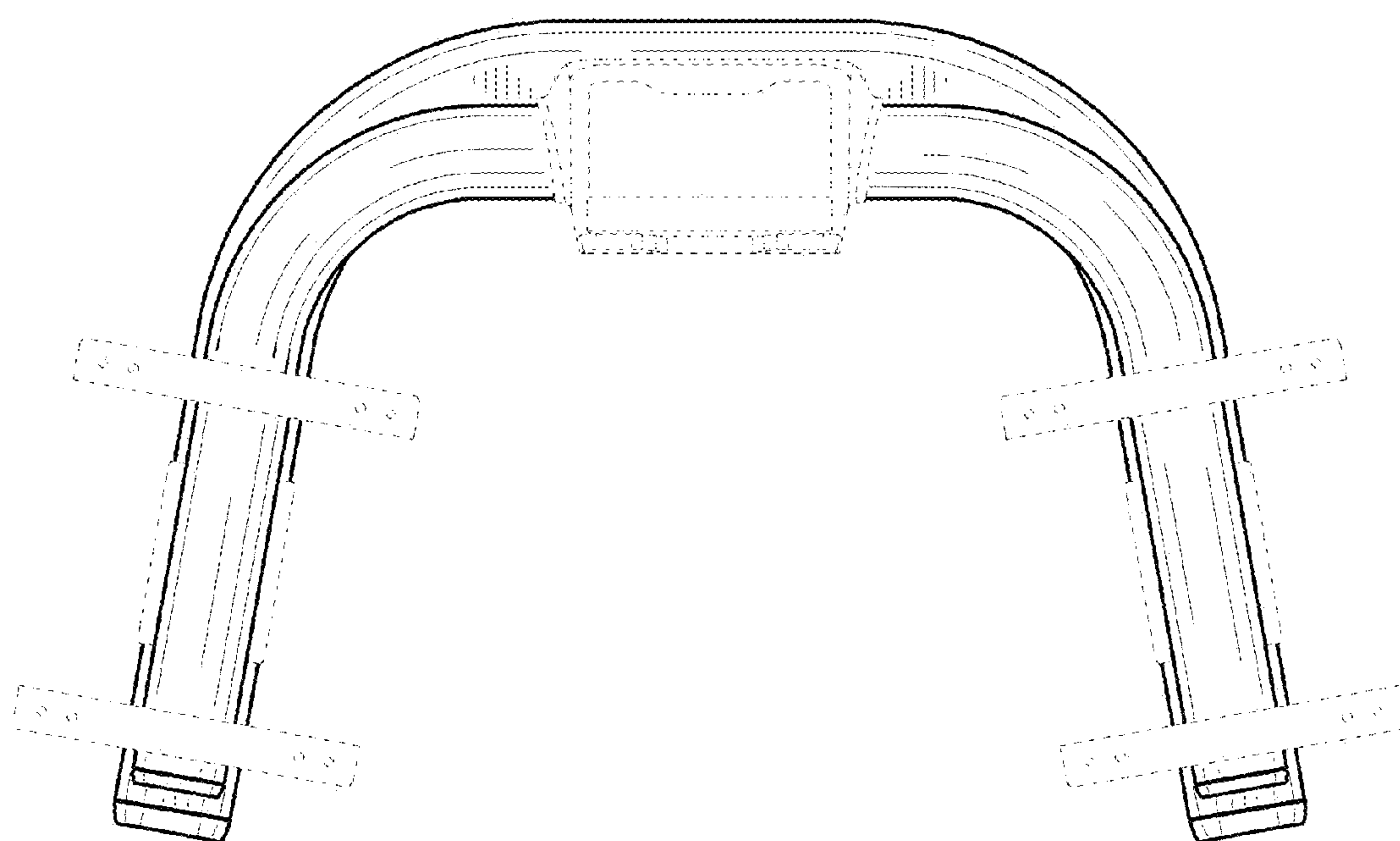


FIG. 6

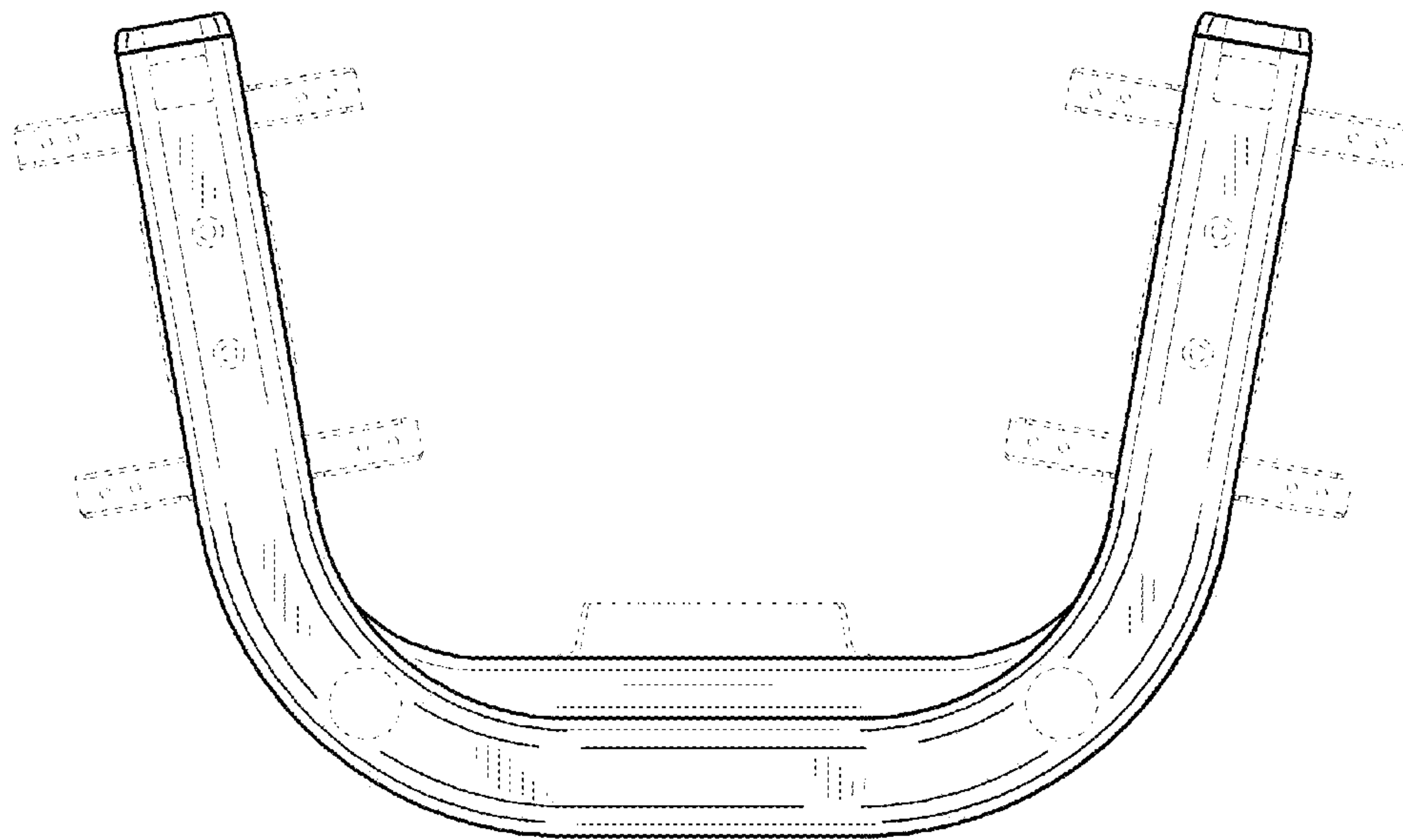


FIG. 7