



US00D725937S

(12) **United States Design Patent**
Hendricks

(10) **Patent No.:** **US D725,937 S**

(45) **Date of Patent:** **** Apr. 7, 2015**

(54) **DUMBBELL STAND**

D603,637 S * 11/2009 Anderson et al. D6/552
D677,504 S * 3/2013 Childs D6/552

(71) Applicant: **Nautilus, Inc.**, Vancouver, WA (US)

* cited by examiner

(72) Inventor: **Kevin M. Hendricks**, Portland, OR (US)

Primary Examiner — Brian N Vinson

(73) Assignee: **Nautilus, Inc.**, Vancouver, WA (US)

(74) *Attorney, Agent, or Firm* — Dorsey & Whitney LLP

(**) Term: **14 Years**

(57) **CLAIM**

The ornamental design for a dumbbell stand, as shown and described.

(21) Appl. No.: **29/493,899**

DESCRIPTION

(22) Filed: **Jun. 13, 2014**

(51) **LOC (10) Cl.** **08-08**

(52) **U.S. Cl.**
USPC **D6/552**

(58) **Field of Classification Search**
USPC D6/552; D21/662, 686, 691; 482/104,
482/148; 248/339; 211/13.2, 85
See application file for complete search history.

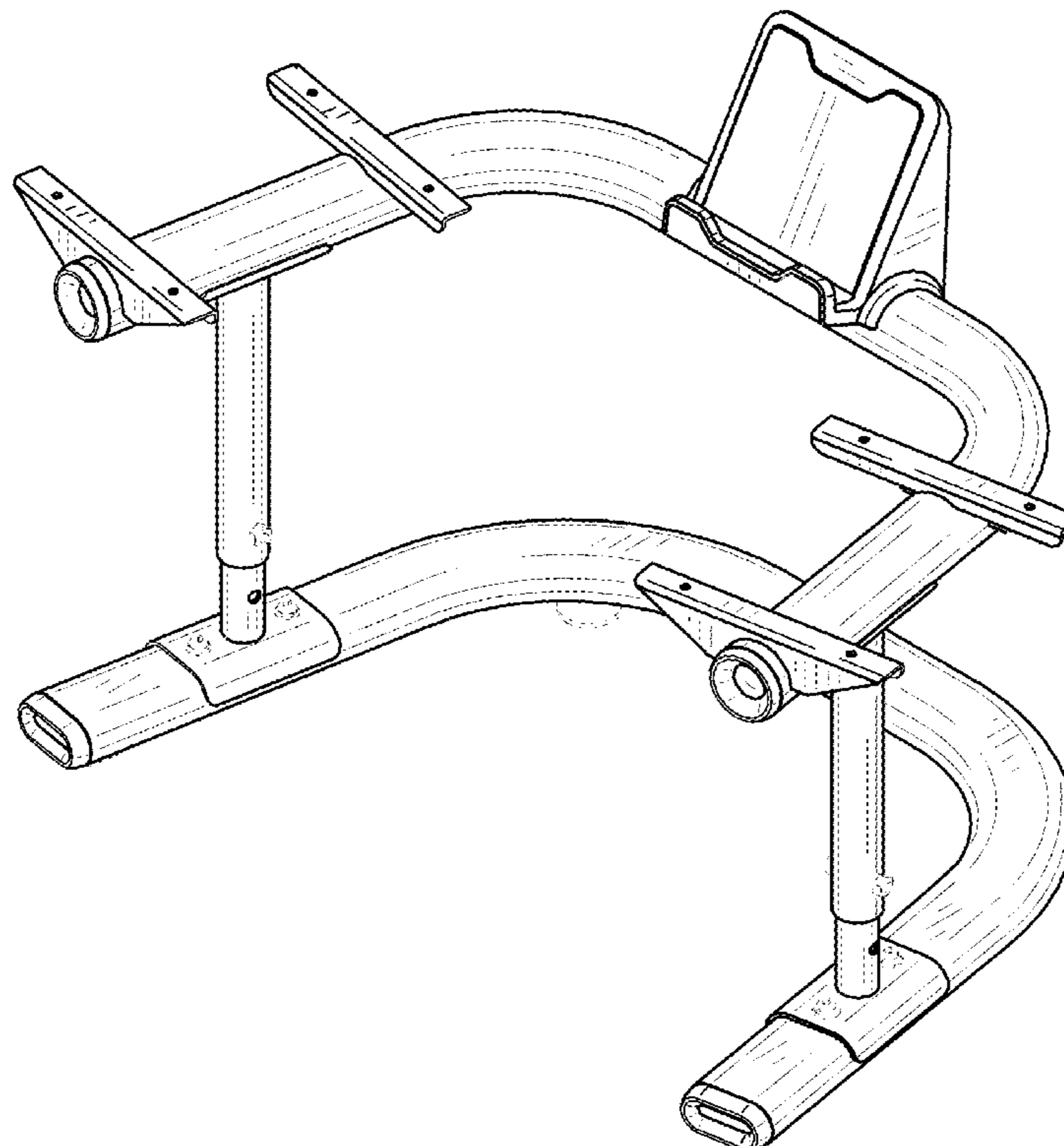
FIG. 1 shows a front perspective view of a dumbbell stand in accordance with the present design;
FIG. 2 shows a front elevation view of the dumbbell stand of FIG. 1;
FIG. 3 shows a rear elevation view of the dumbbell stand of FIG. 1;
FIG. 4 shows a right elevation view of the dumbbell stand of FIG. 1;
FIG. 5 shows a left elevation view of the dumbbell stand of FIG. 1;
FIG. 6 shows a top view of the dumbbell stand of FIG. 1; and,
FIG. 7 shows a bottom view of the dumbbell stand of FIG. 1.
The broken lines illustrate portions of the dumbbell stand that form no part of the claimed design.

(56) **References Cited**

U.S. PATENT DOCUMENTS

D555,961 S * 11/2007 Lien et al. D6/552
D565,132 S * 3/2008 Lien et al. D6/552
D577,234 S * 9/2008 Webber et al. D6/552

1 Claim, 6 Drawing Sheets



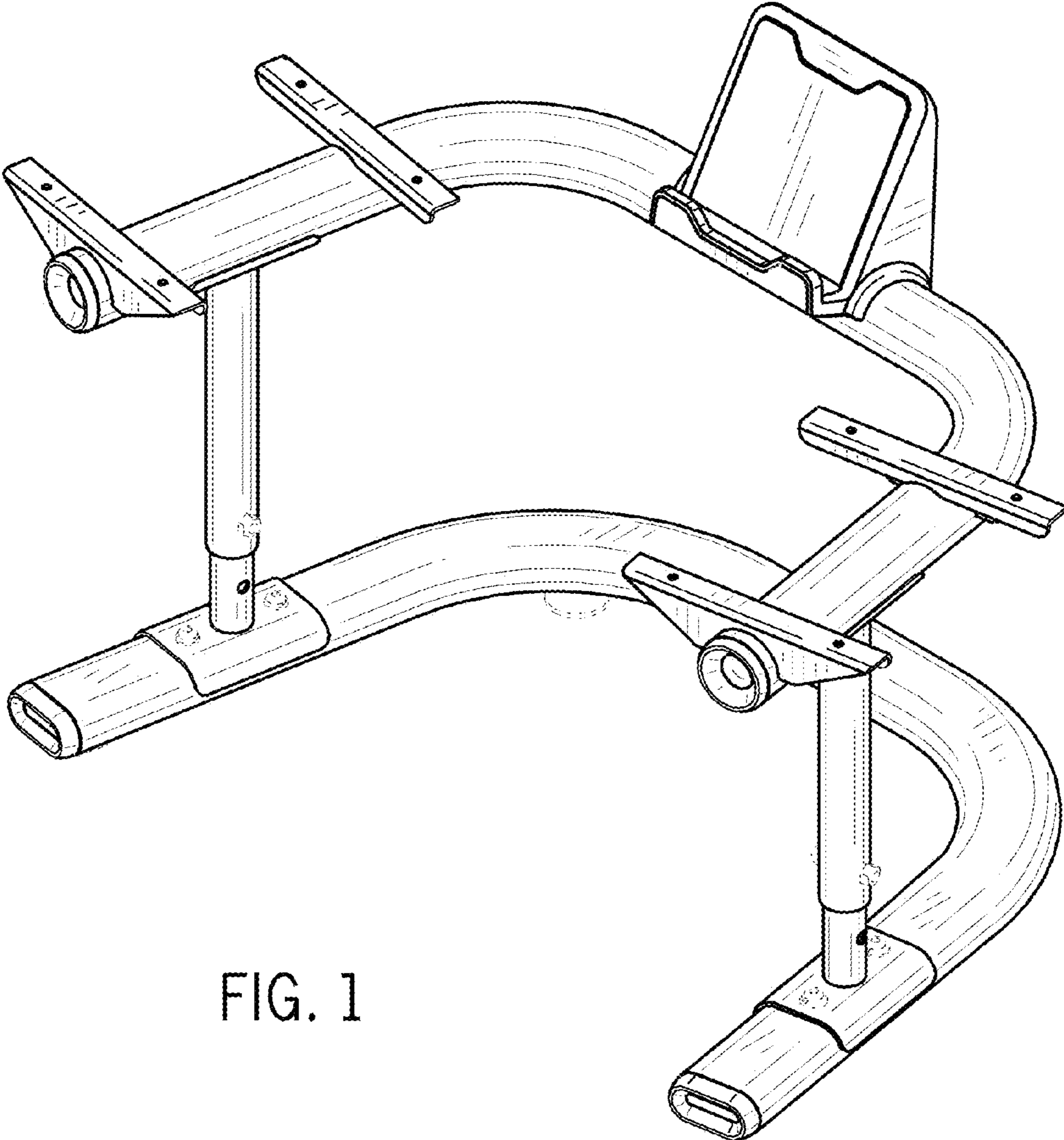


FIG. 1

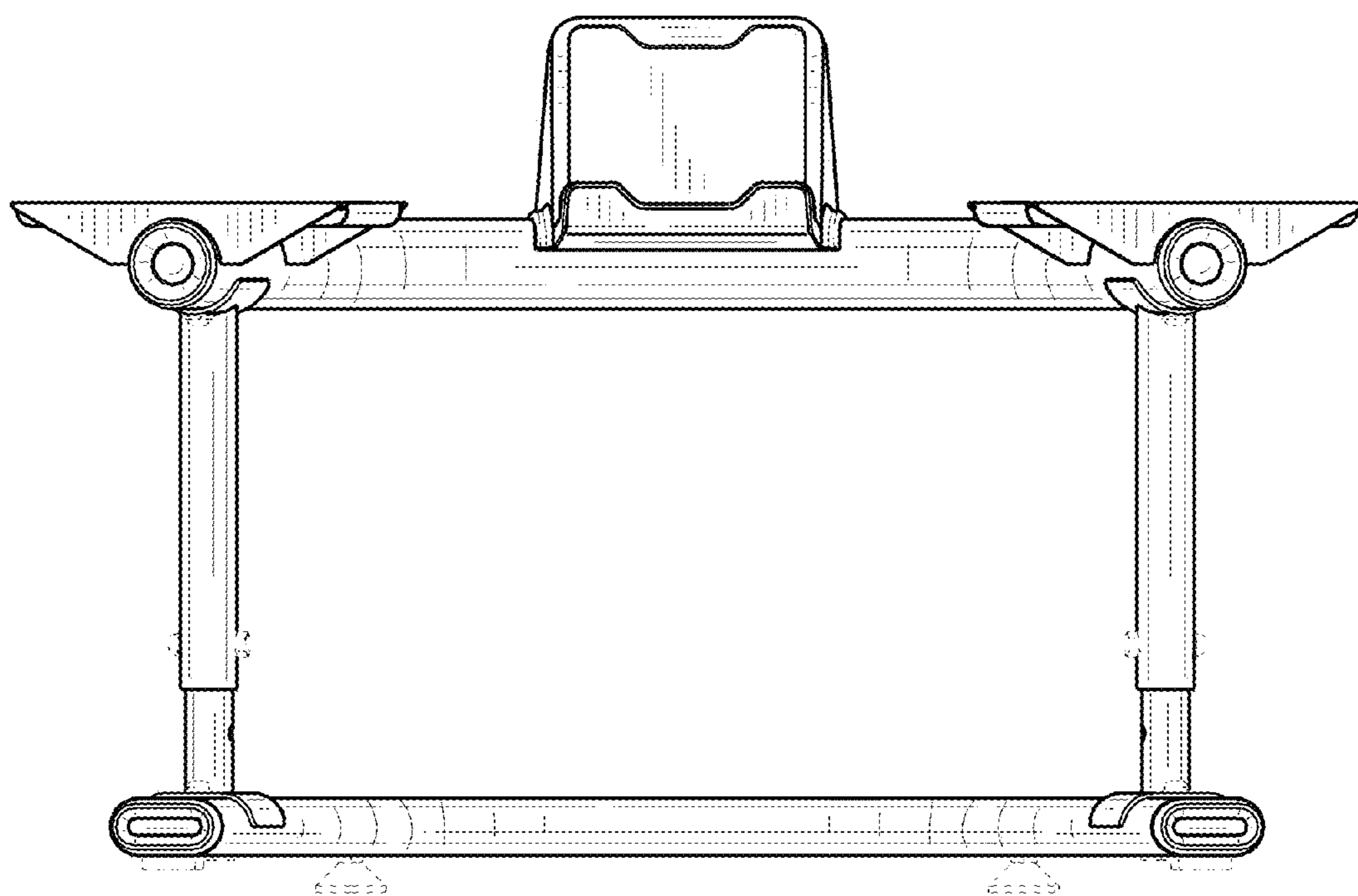


FIG. 2

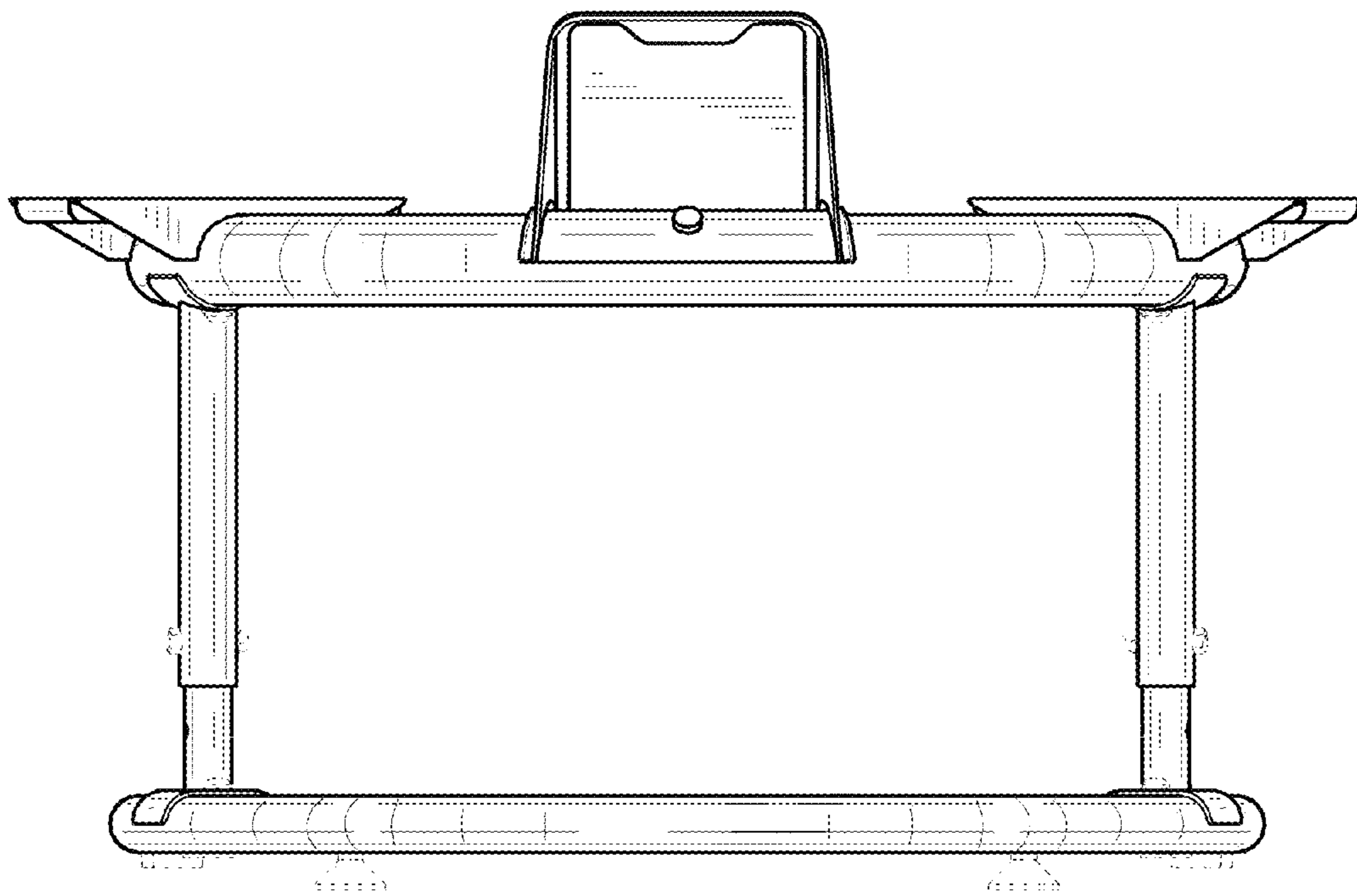


FIG. 3

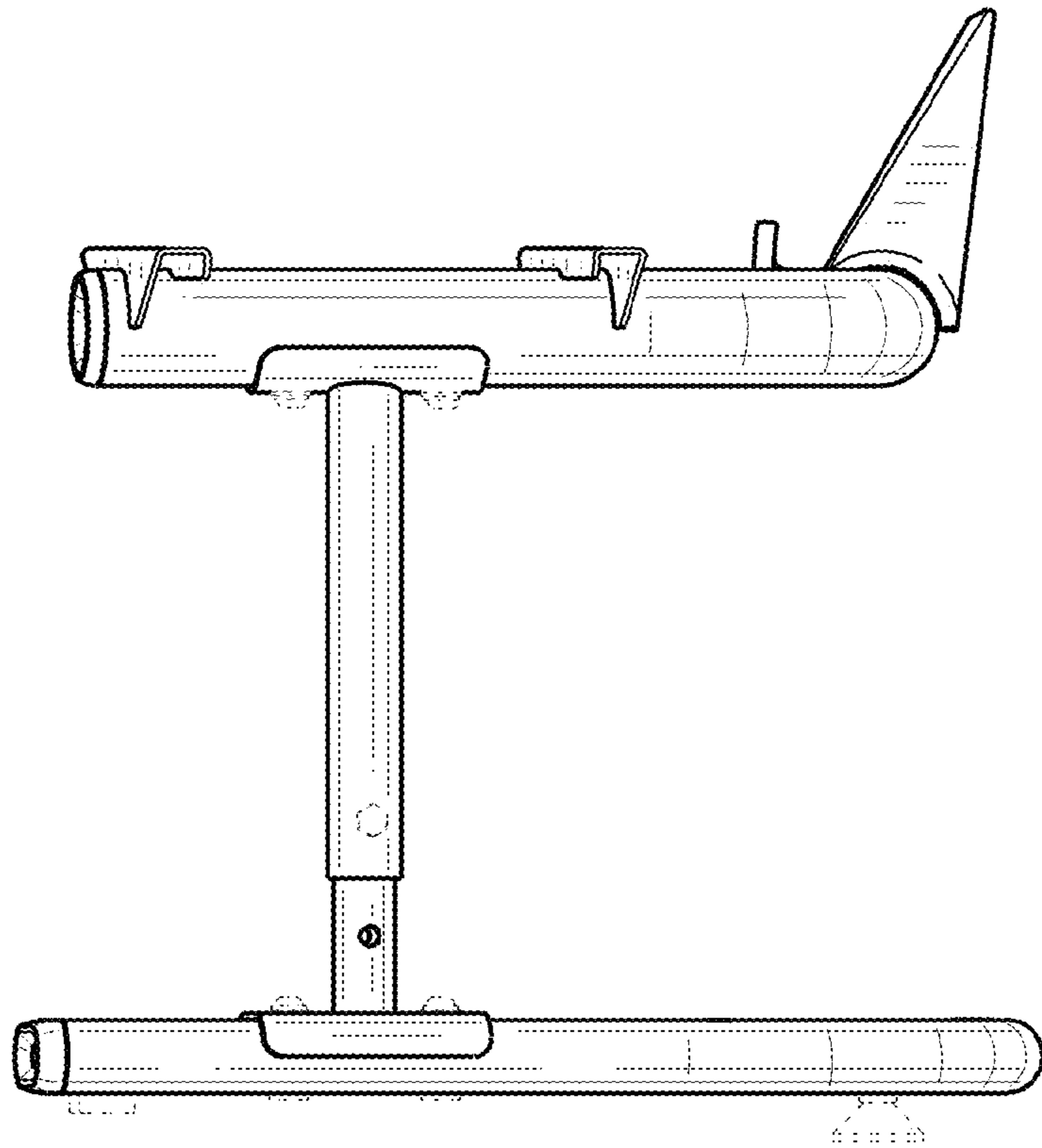


FIG. 4

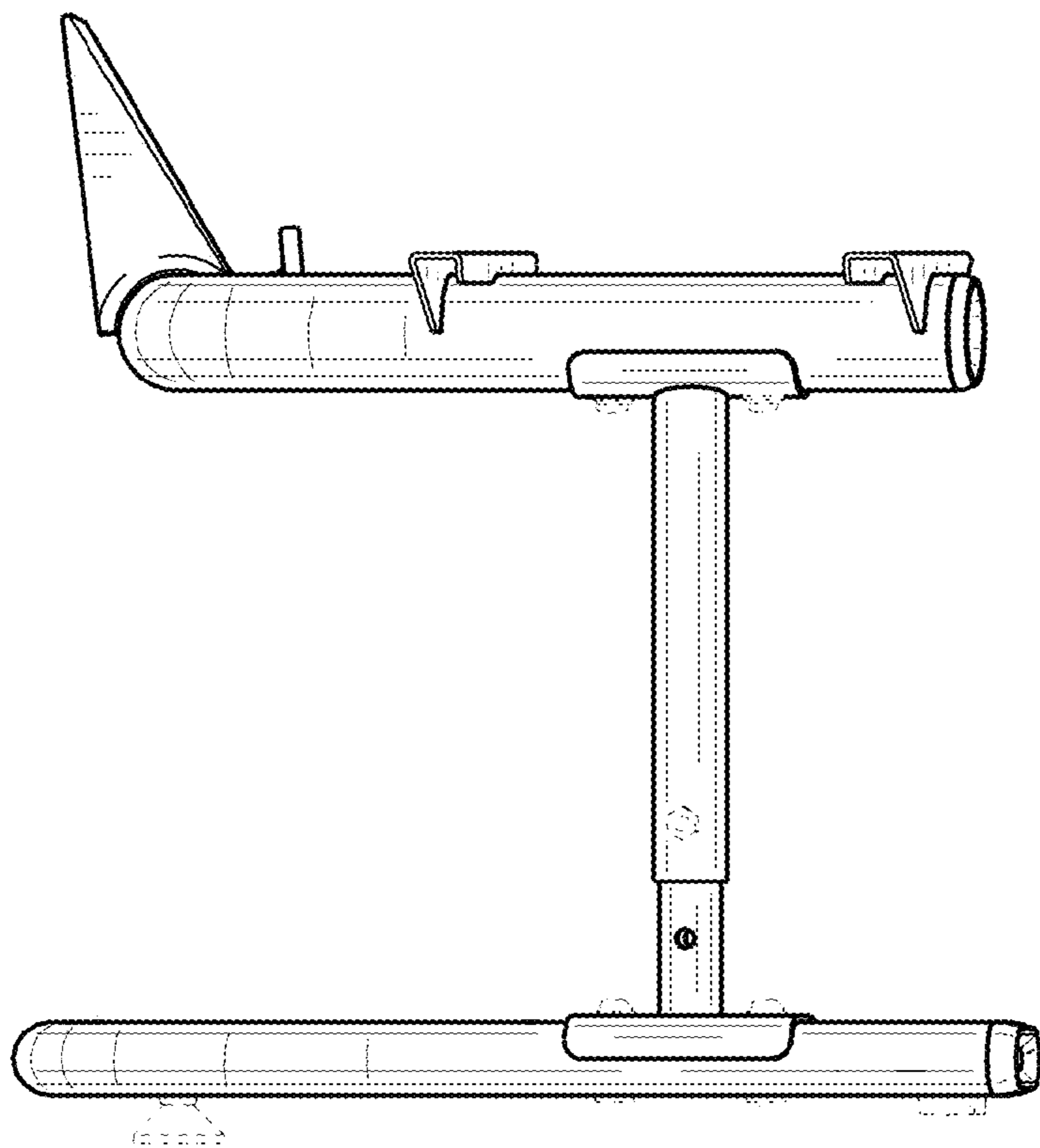


FIG. 5

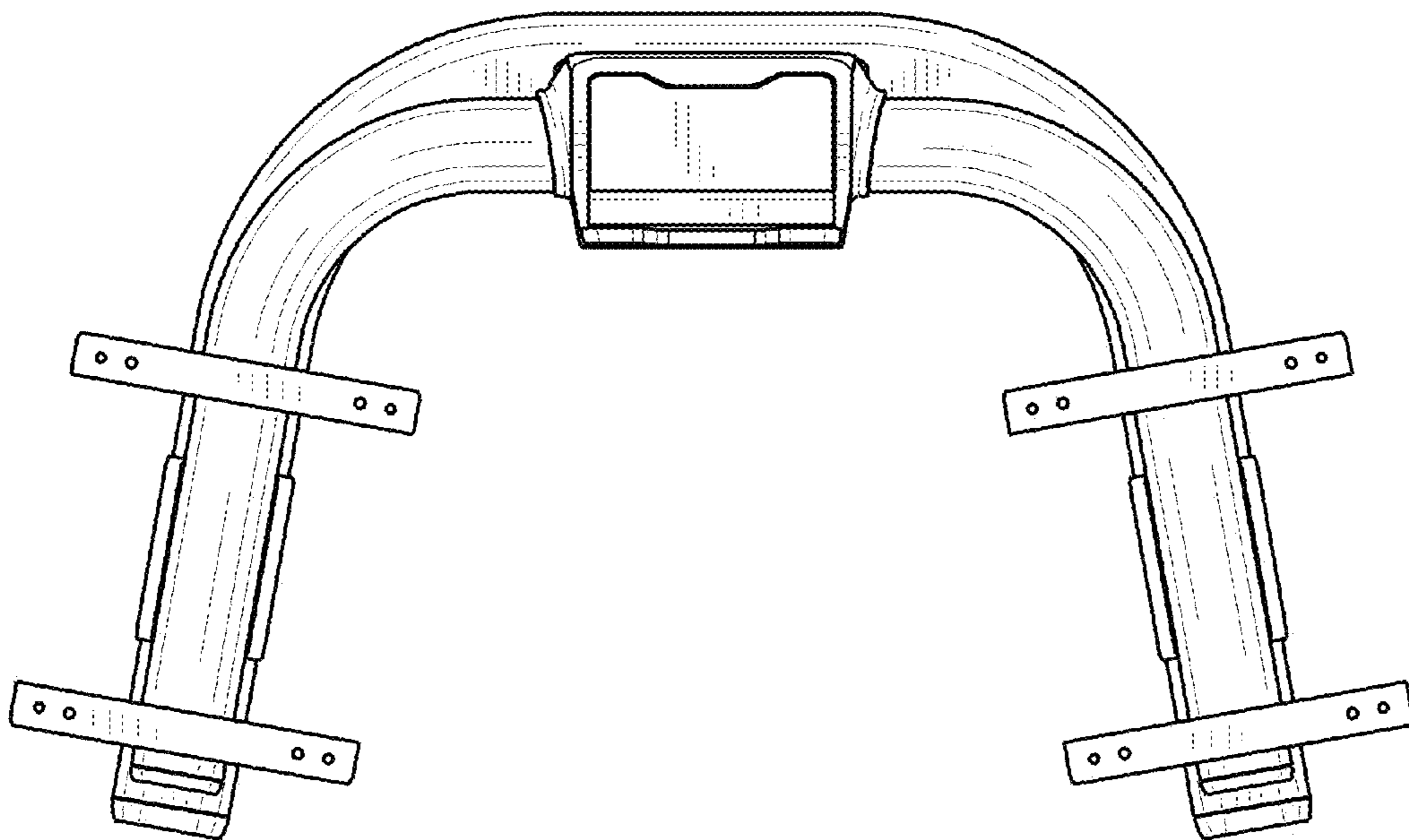


FIG. 6

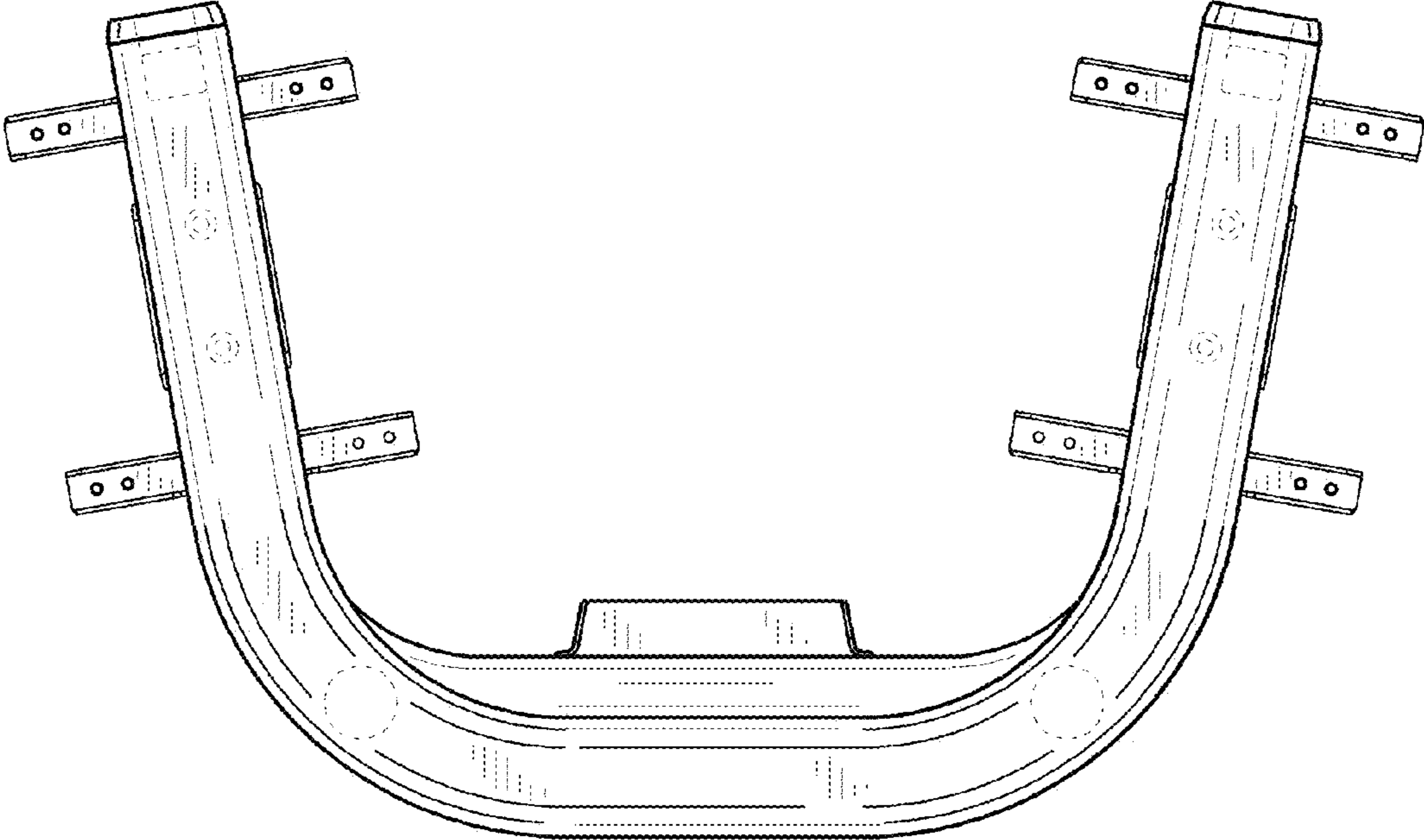


FIG. 7