



US00D725936S

(12) **United States Design Patent**  
**Buell et al.**

(10) **Patent No.:** **US D725,936 S**

(45) **Date of Patent:** **\*\* Apr. 7, 2015**

(54) **DISPENSER RESERVOIR**

D637,848 S \* 5/2011 Kramer et al. .... D6/545  
D658,915 S \* 5/2012 Fernandes et al. .... D6/542  
D661,933 S \* 6/2012 DelGigante et al. .... D6/542

(71) Applicant: **GOJO Industries, Inc.**, Akron, OH  
(US)

\* cited by examiner

(72) Inventors: **Shelby Jay Buell**, Medina, OH (US);  
**Robert L. Quinlan**, Stow, OH (US);  
**Kaitlin A. Wolf**, Kent, OH (US);  
**Stephen P. Smith**, Stow, OH (US);  
**Eugene William Ray**, Barberton, OH  
(US)

*Primary Examiner* — Brian N Vinson

(74) *Attorney, Agent, or Firm* — Timothy D. Smith

(57) **CLAIM**

The ornamental design for a dispenser reservoir, as shown and described.

(\*\*) Term: **14 Years**

**DESCRIPTION**

(21) Appl. No.: **29/475,272**

(22) Filed: **Dec. 2, 2013**

(51) **LOC (10) Cl.** ..... **23-02**

(52) **U.S. Cl.**  
USPC ..... **D6/545**

(58) **Field of Classification Search**  
USPC ..... D6/542-545; 221/208, 282, 283;  
222/105, 173, 180, 181.1, 181.2, 181.3  
See application file for complete search history.

FIG. 1 is a perspective view of a dispenser reservoir of an embodiment of the new design;  
FIG. 2 is a front elevational view of the dispenser reservoir of the embodiment illustrated in FIG. 1;  
FIG. 3 is a left elevational view of the dispenser reservoir of the embodiment illustrated in FIG. 1;  
FIG. 4 is a right elevational view of the dispenser reservoir of the embodiment illustrated in FIG. 1;  
FIG. 5 is a rear elevational view of the dispenser reservoir of the embodiment illustrated in FIG. 1;  
FIG. 6 is a top plan view of the dispenser reservoir of the embodiment illustrated in FIG. 1; and,  
FIG. 7 is a bottom plan view of the dispenser reservoir of the embodiment illustrated in FIG. 1.

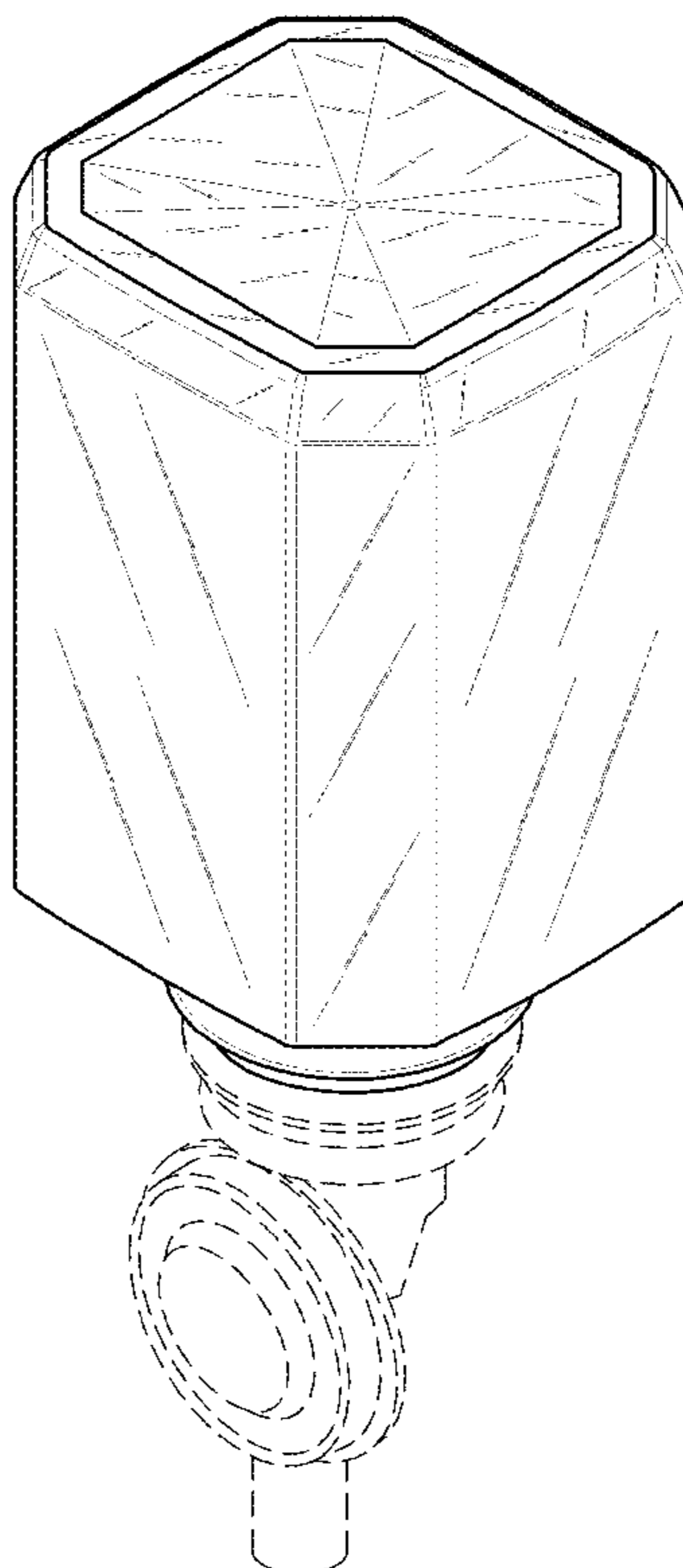
The portions of the Figures shown in broken lines are not part of the claimed design and are for illustration only. The broken line(s) which define the bounds of the claimed design form no part thereof.

(56) **References Cited**

U.S. PATENT DOCUMENTS

D332,544 S \* 1/1993 Steiner et al. .... D6/545  
D378,035 S \* 2/1997 Ophardt ..... D6/545  
D471,047 S \* 3/2003 Gordon et al. .... D6/545  
D530,123 S \* 10/2006 Ophardt et al. .... D6/545  
D623,880 S \* 9/2010 White ..... D6/545  
D628,419 S \* 12/2010 Petrucelli et al. .... D6/542

**1 Claim, 5 Drawing Sheets**



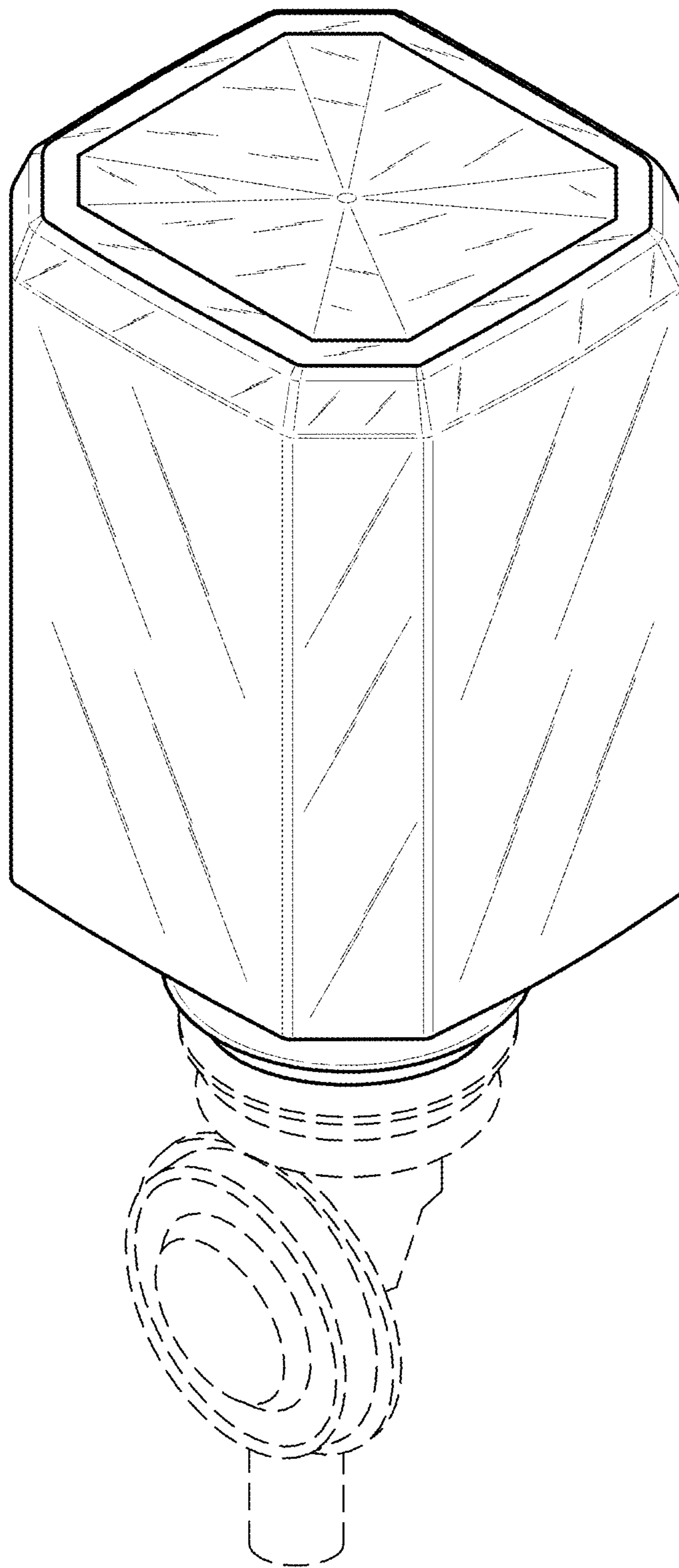


FIG. 1

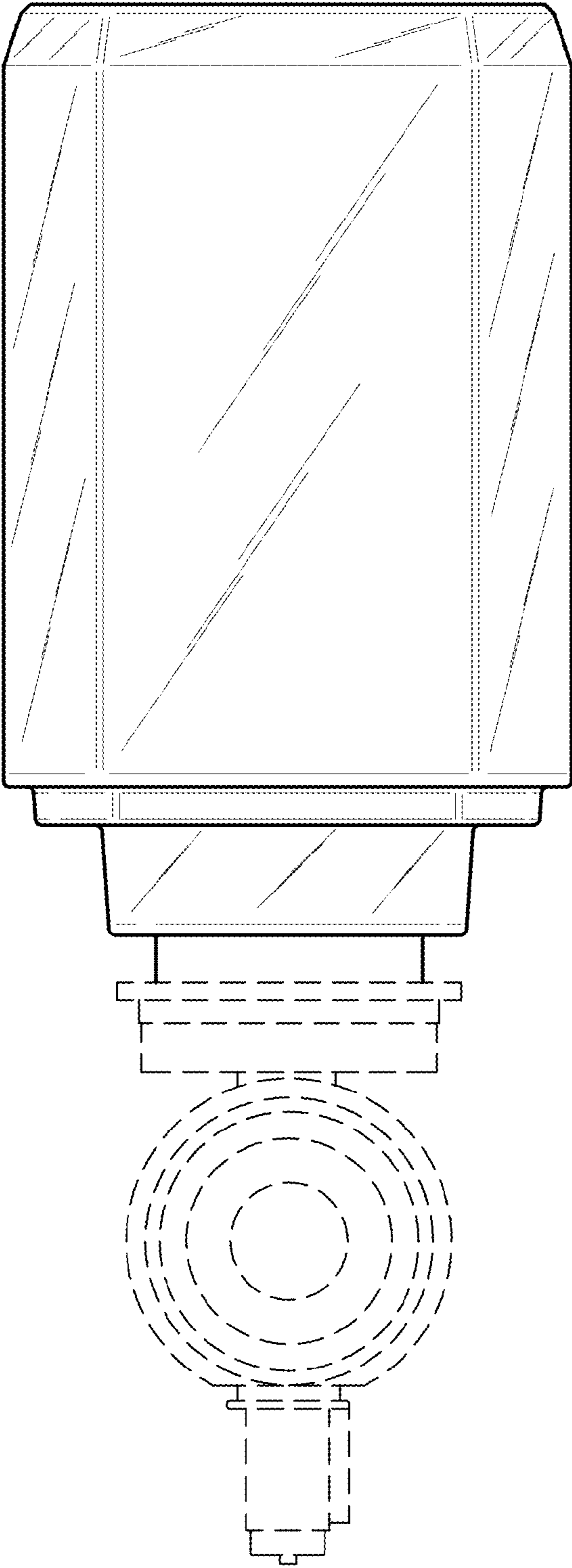


FIG. 2

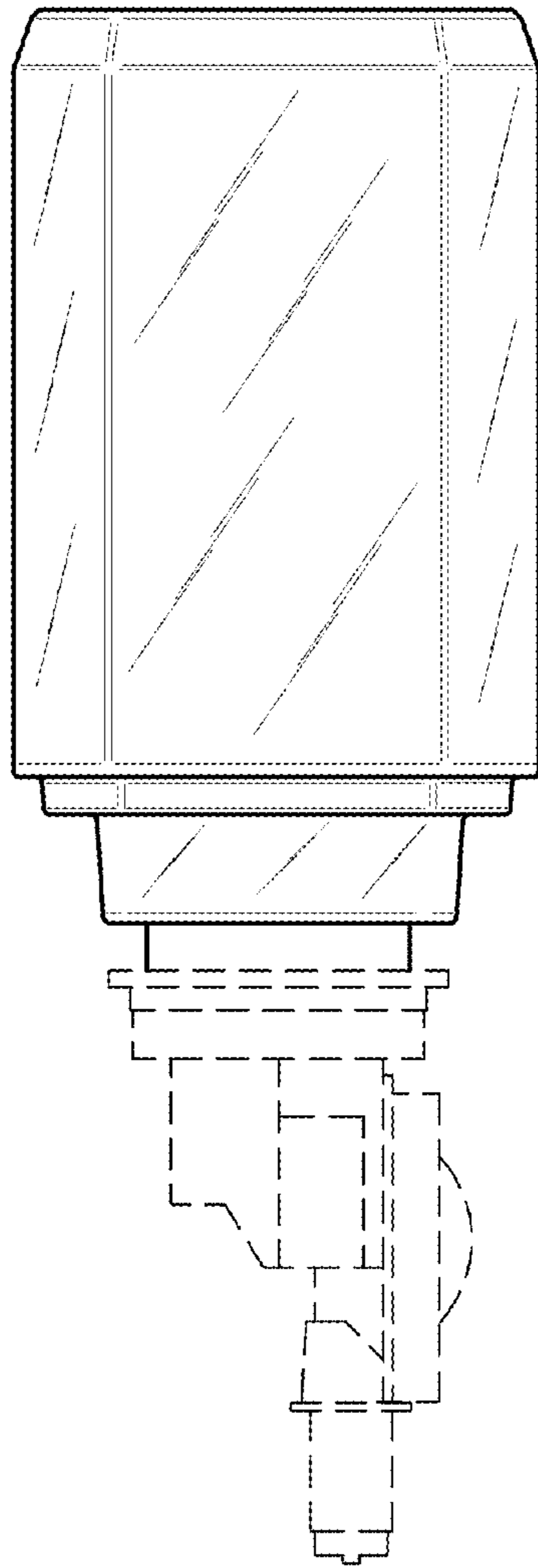


FIG. 3

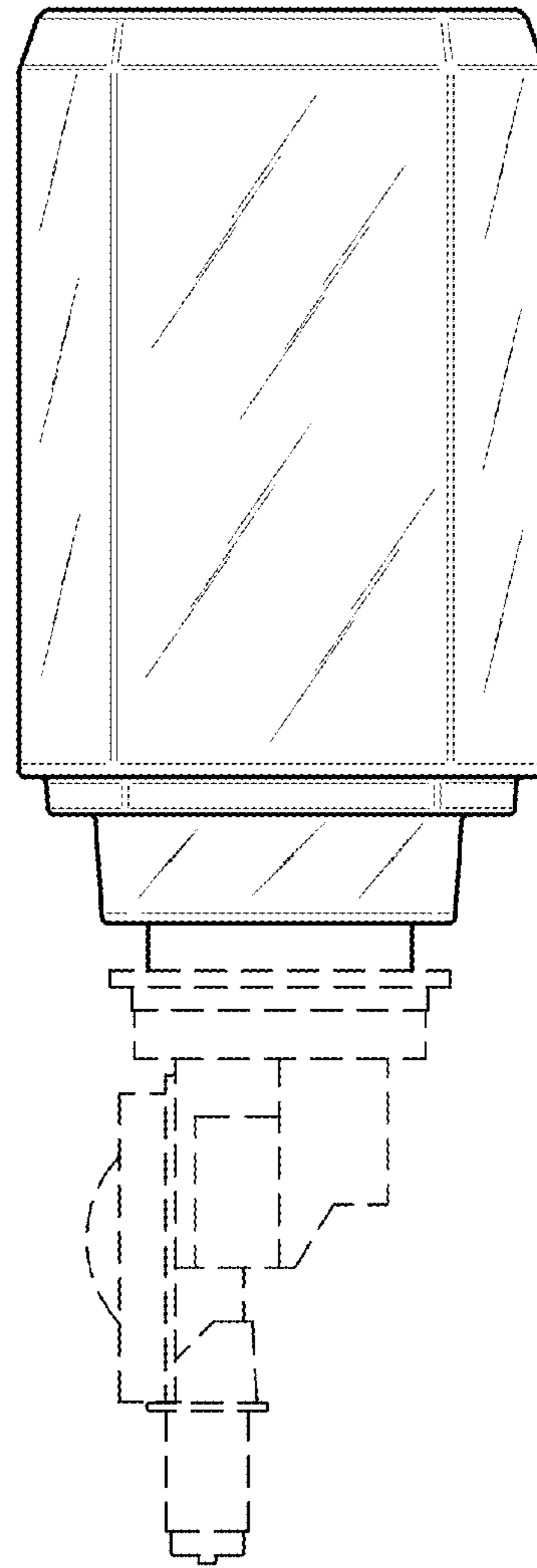


FIG. 4

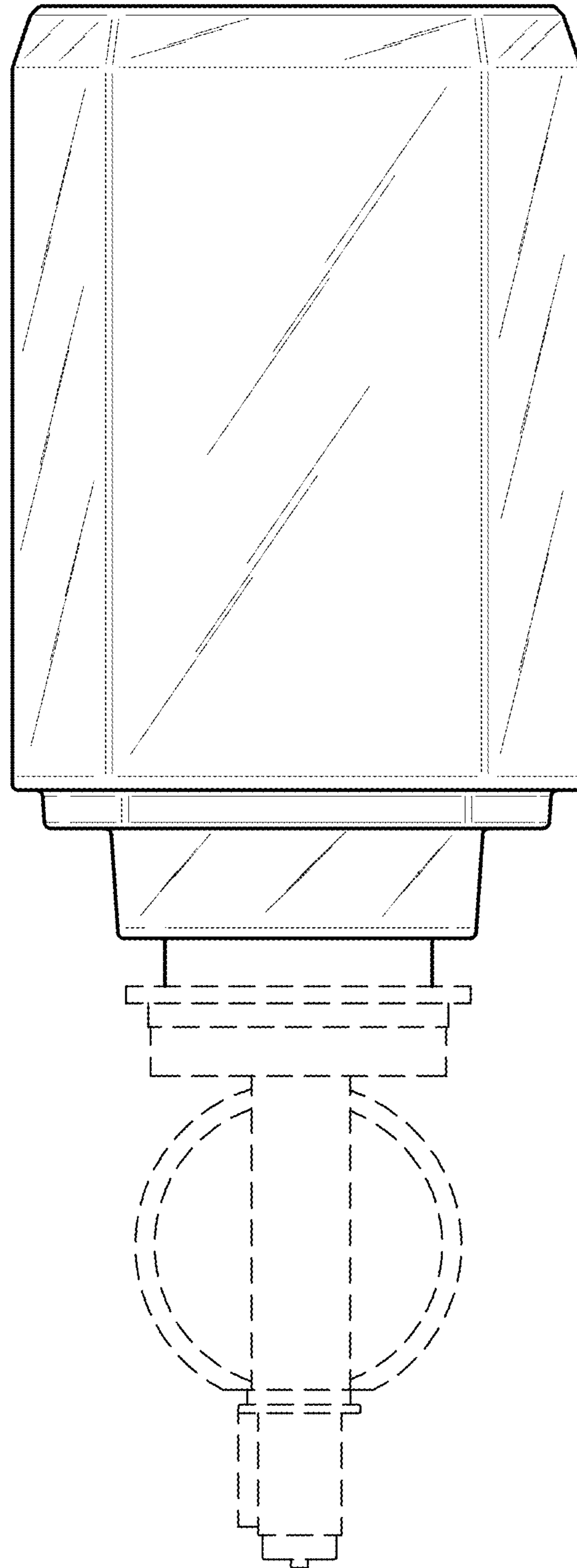


FIG. 5

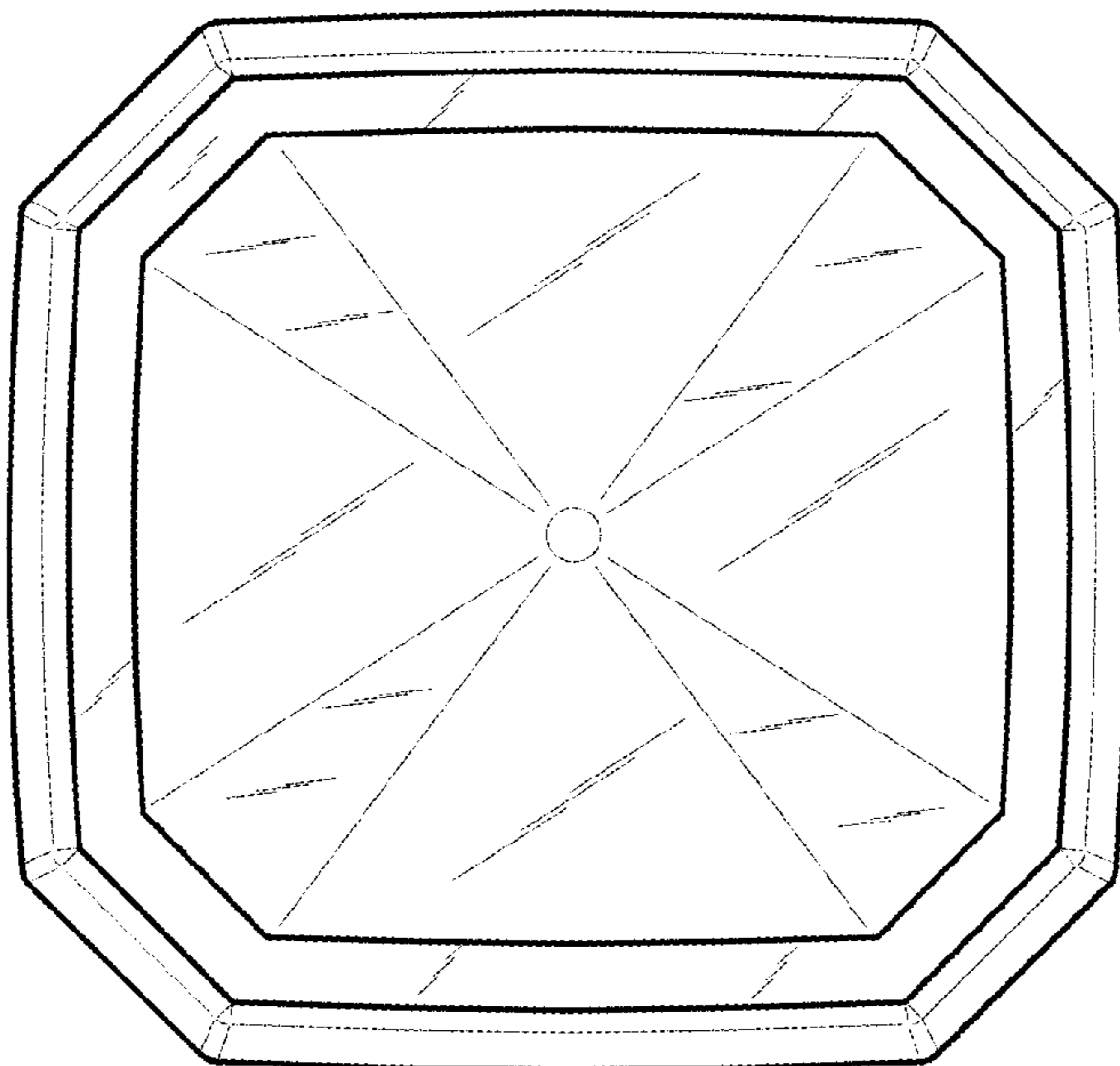


FIG. 6

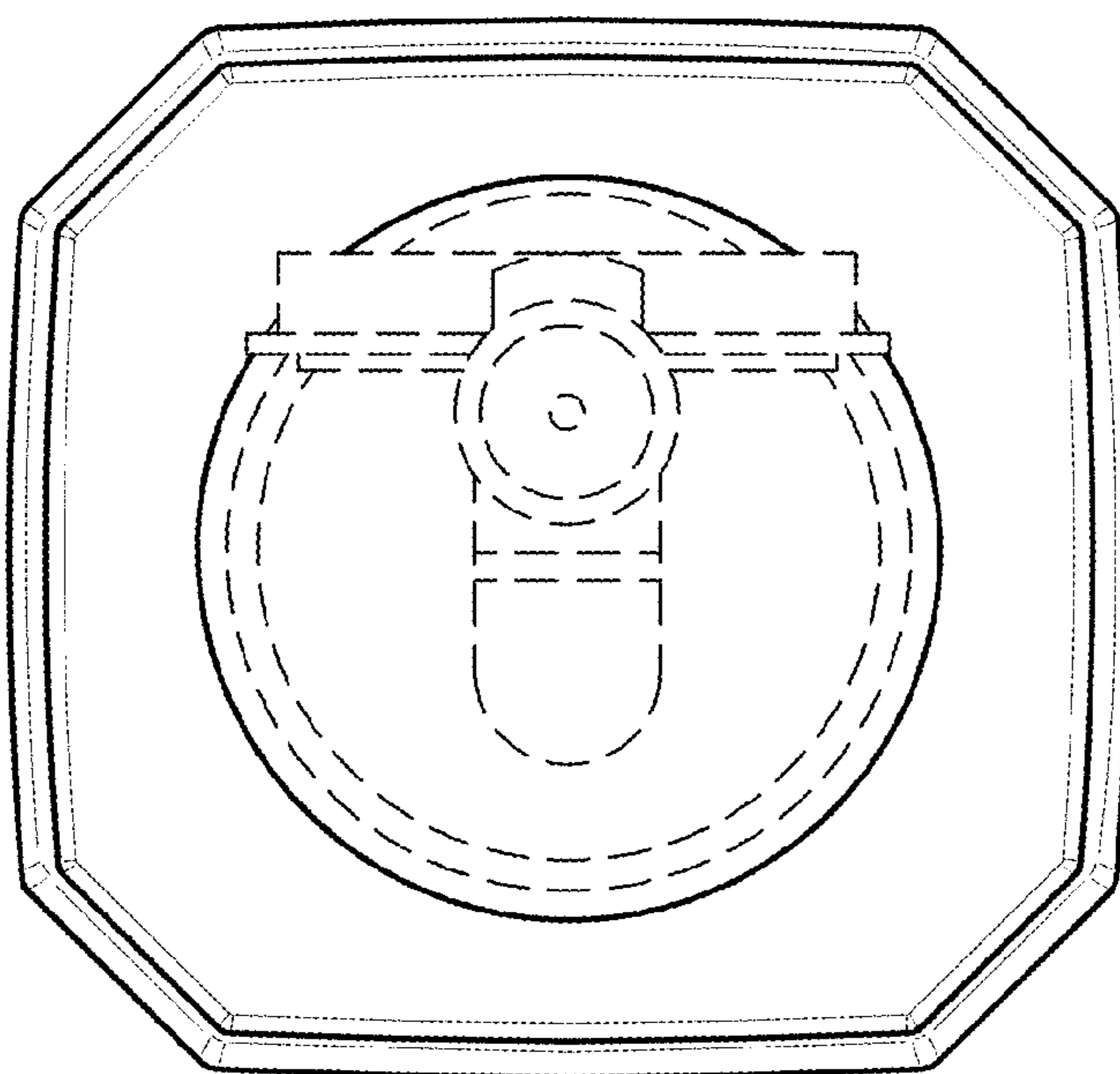


FIG. 7