



US00D725933S

(12) **United States Design Patent**  
**Balogh**

(10) **Patent No.:** **US D725,933 S**

(45) **Date of Patent:** **\*\* Apr. 7, 2015**

(54) **HOUSEHOLD TOOL AND APPLIANCE  
HOLDER**

(71) Applicant: **Erin Balogh**, San Marcos, CA (US)

(72) Inventor: **Erin Balogh**, San Marcos, CA (US)

(\*\*) Term: **14 Years**

(21) Appl. No.: **29/483,004**

(22) Filed: **Feb. 24, 2014**

(51) **LOC (10) Cl.** ..... **06-06**

(52) **U.S. Cl.**  
USPC ..... **D6/513**

(58) **Field of Classification Search**

CPC ..... A47C 31/00; A47C 7/62; A47C 21/00;  
A45C 3/00; A47F 7/00; A47B 97/00  
USPC ..... D6/512-514, 555, 567; D3/303, 305,  
D3/308, 310, 313, 316, 317, 319, 902;  
206/278, 286, 289, 9, 278.1, 298,  
206/315.1, 579; 211/13.1, 85.3, 113, 26.1,  
211/86.01, 64; 190/1, 104, 106, 107, 110,  
190/111, 115, 11, 13 R, 9; 220/666, 912,  
220/9.1; 248/95, 311.2, 205.1, 214, 205.2;  
5/503.1; D28/38

See application file for complete search history.

(56) **References Cited**

U.S. PATENT DOCUMENTS

D377,876	S	*	2/1997	Hatala et al.	.....	D6/513
5,605,235	A	*	2/1997	Johnson	.....	211/26.1
5,758,972	A	*	6/1998	Mack et al.	.....	248/205.2
7,954,188	B2	*	6/2011	House et al.	.....	211/64
D681,983	S	*	5/2013	Cramer	.....	D6/513
D681,984	S	*	5/2013	Cramer	.....	D6/513
D682,469	S	*	5/2013	Balogh	.....	D28/38

\* cited by examiner

*Primary Examiner* — Brian N Vinson

(74) *Attorney, Agent, or Firm* — Howard Russell

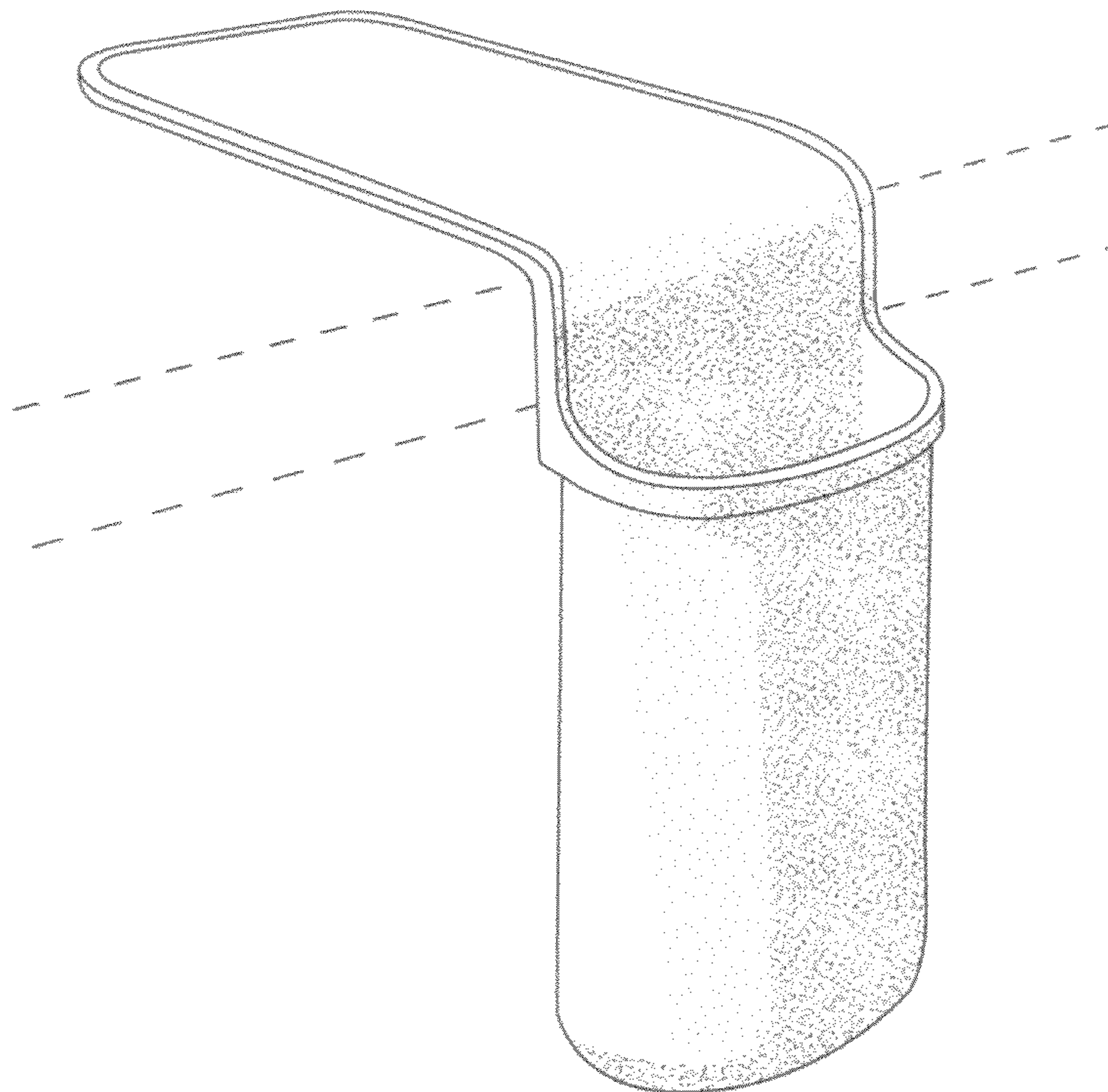
(57) **CLAIM**

The ornamental design for a household tool and appliance holder, as shown and described.

**DESCRIPTION**

FIG. 1 is a front elevation a house hold tool and appliance holder (hereafter “the holder”) showing my design; FIG. 2 is a back elevation of the holder of FIG. 1; FIG. 3 is a right side elevation of the holder of FIG. 1. A left side elevation view (not illustrated) of the holder of FIG. 1 is a mirror image of the right side elevation shown in FIG. 3; FIG. 4 is a top elevation of the holder of FIG. 1; FIG. 5 is a bottom elevation of the holder of FIG. 1; and, FIG. 6 is a perspective view of the holder of FIGS. 1-5 and shown in a position of use hanging flexibly over the edge of a table. The broken lines showing the edge of the table in FIG. 6 are for illustrative purposes only and form no part of the claimed design.

**1 Claim, 5 Drawing Sheets**



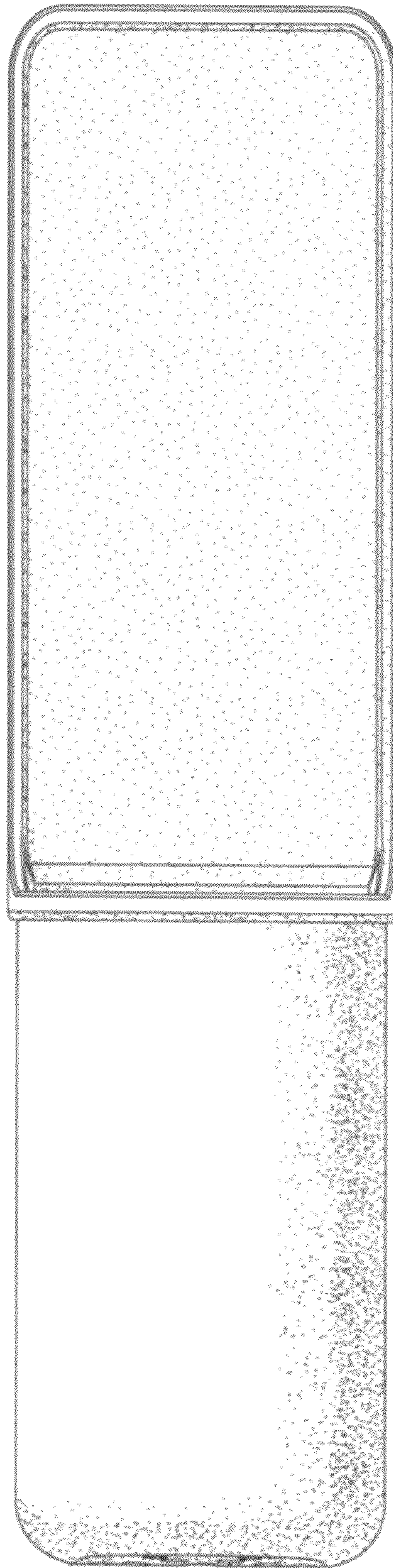


Fig. 1



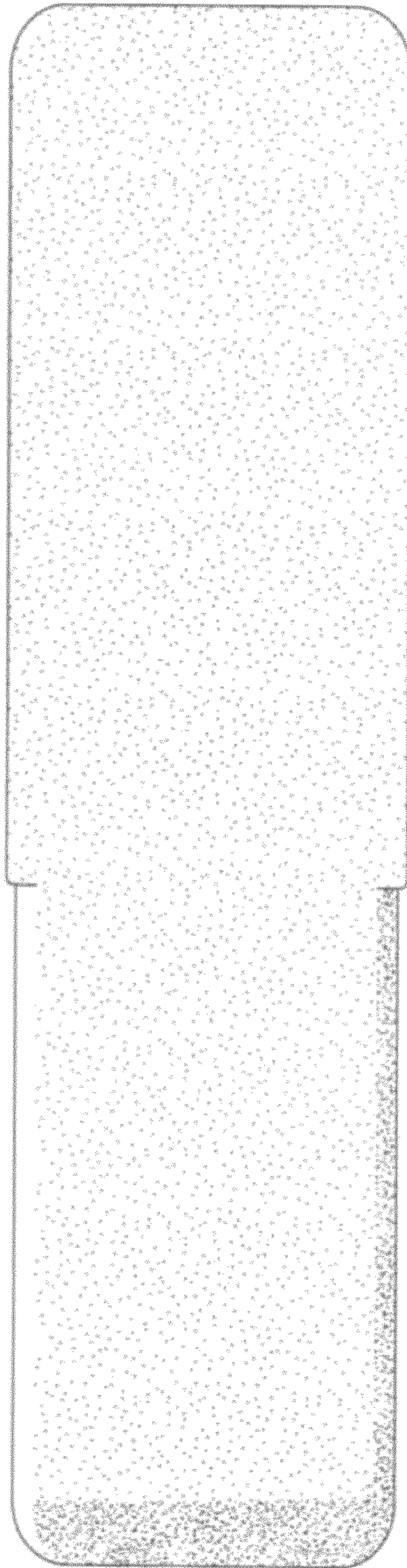


Fig. 2

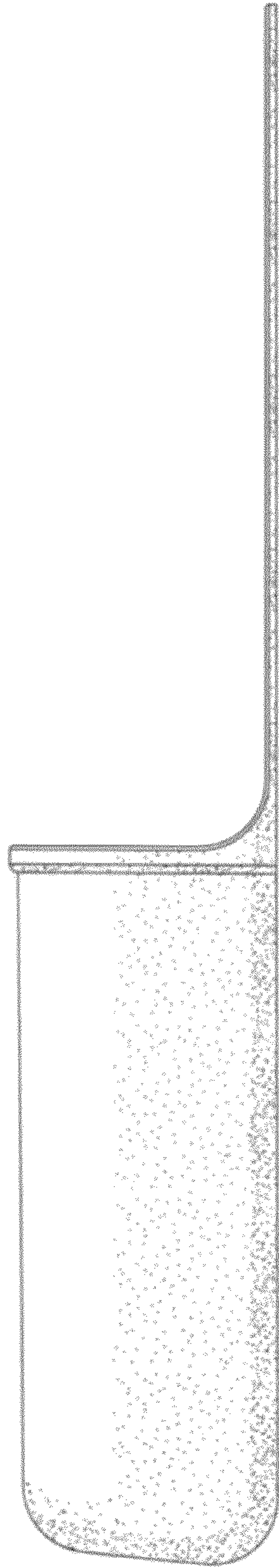


Fig. 3

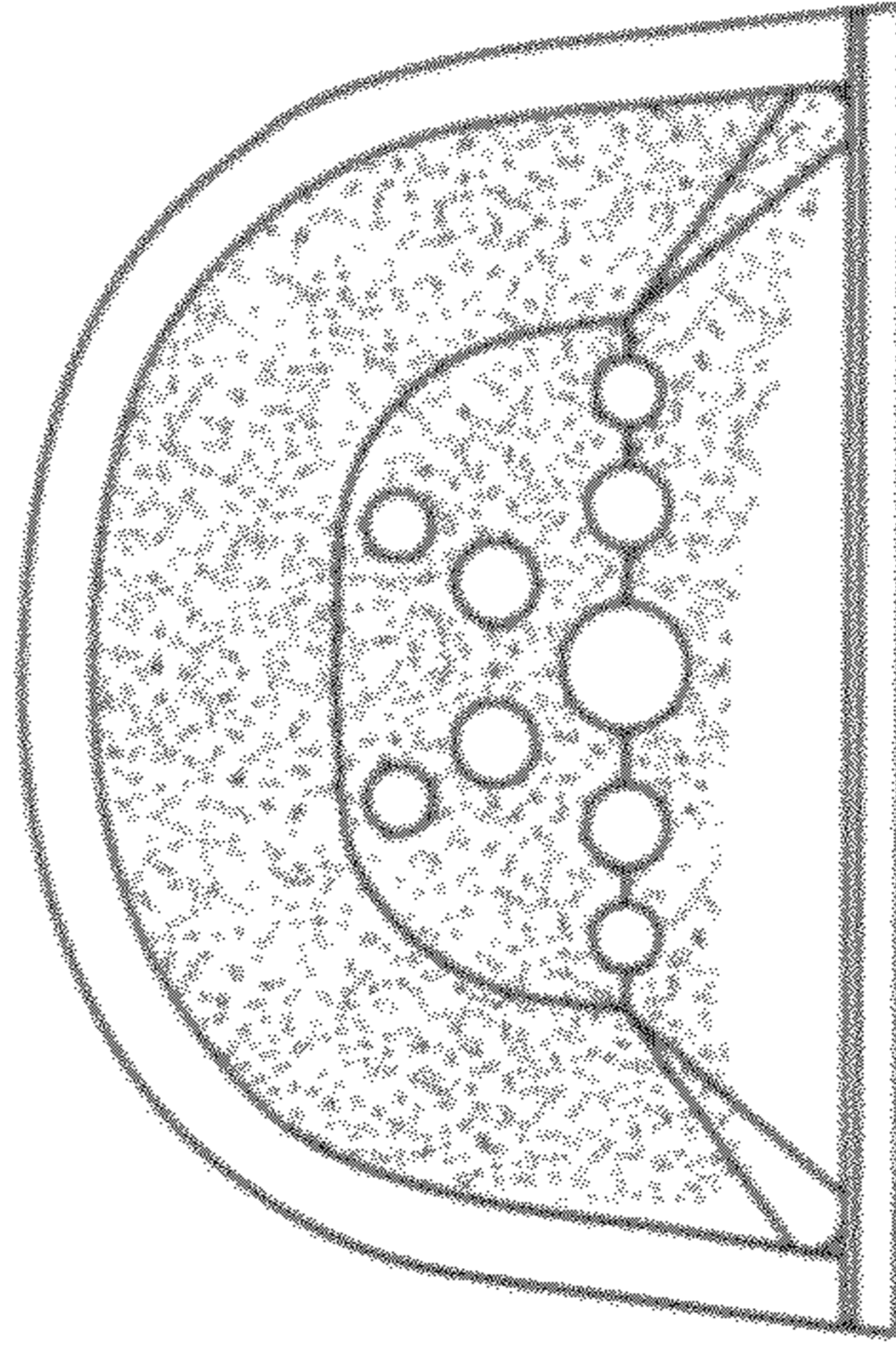


Fig. 4

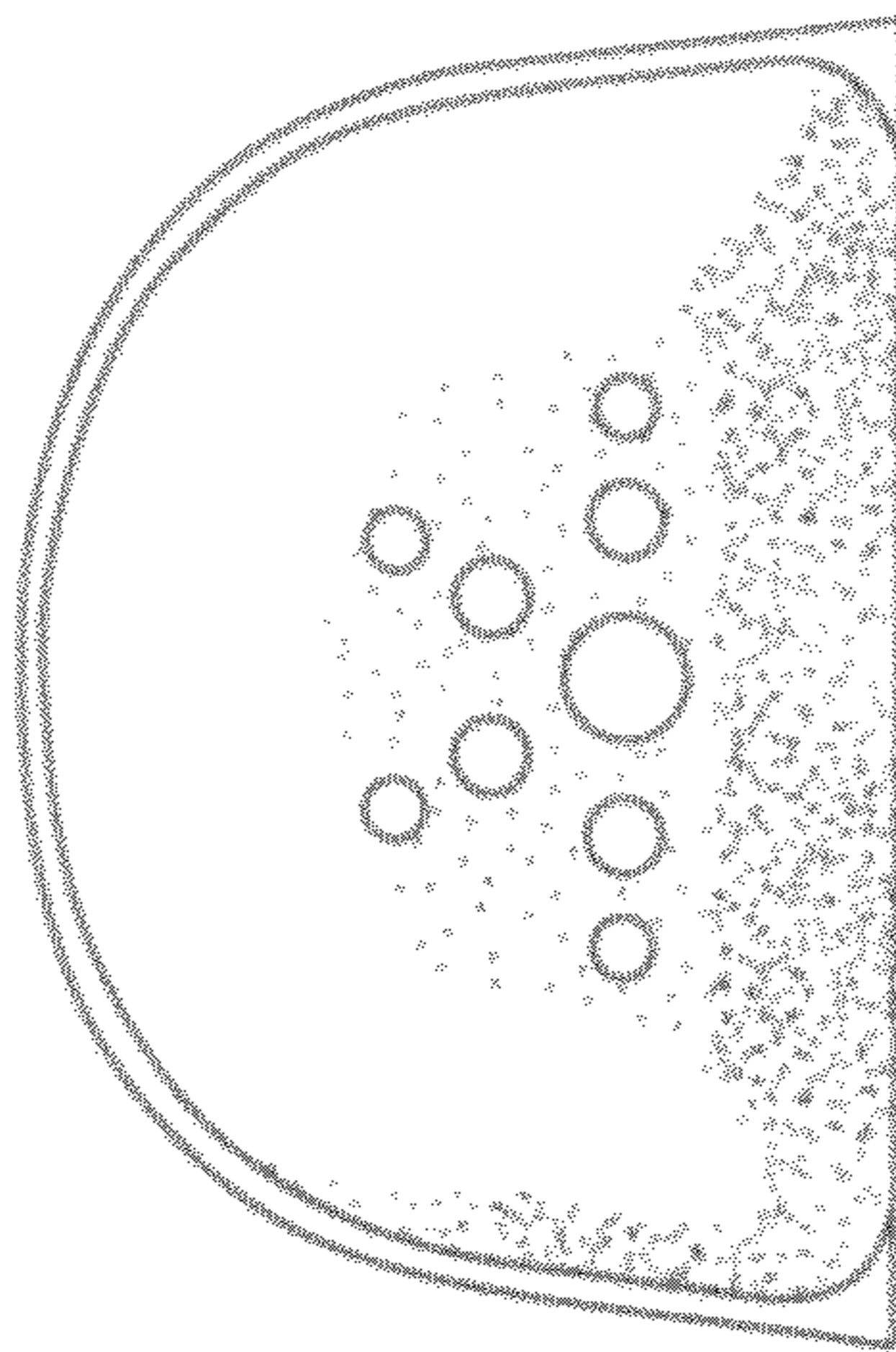


Fig. 5



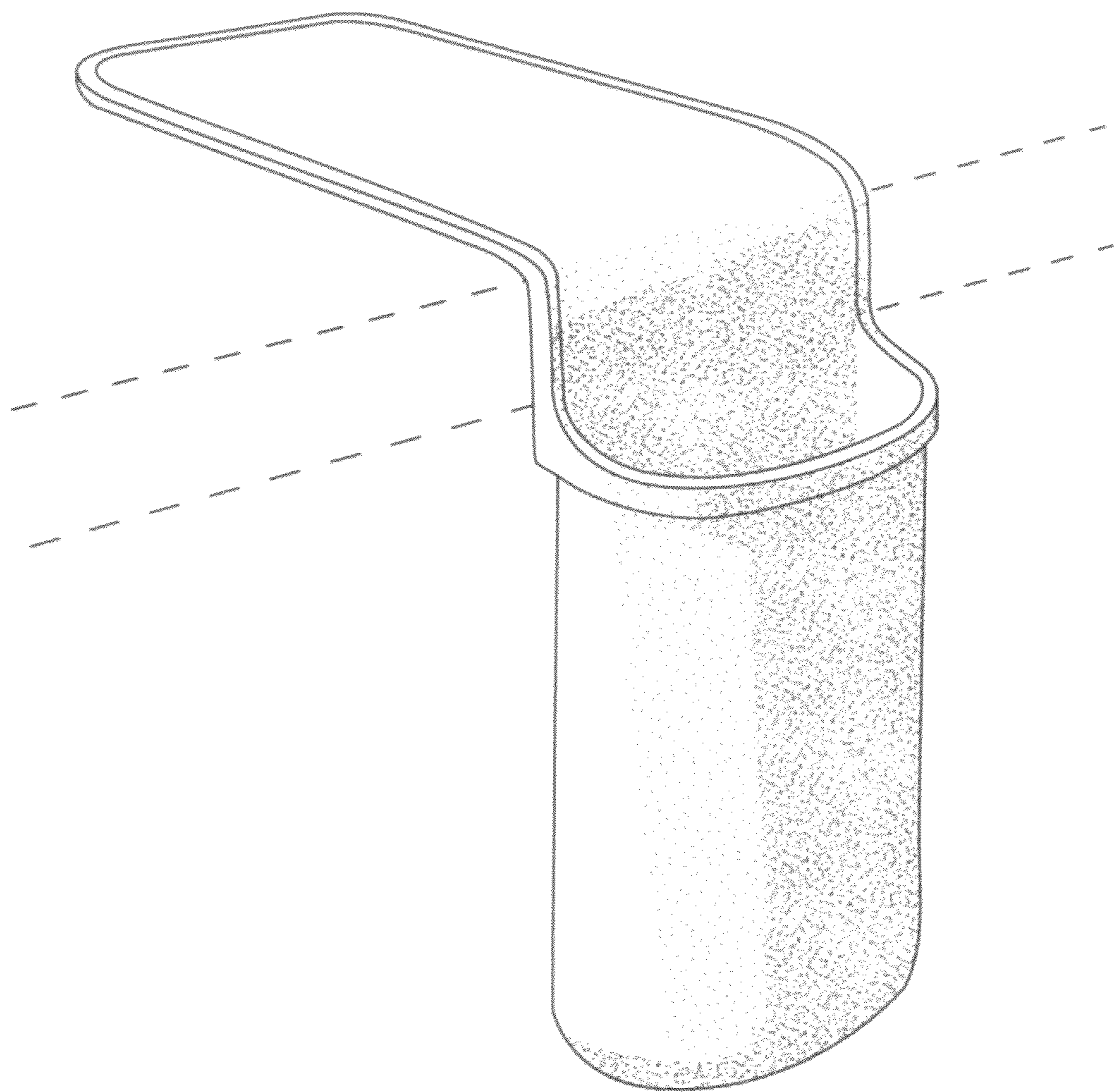


Fig. 6