



US00D725931S

(12) **United States Design Patent**
Lievore et al.

(10) **Patent No.:** **US D725,931 S**
(45) **Date of Patent:** **** Apr. 7, 2015**

- (54) **SOFA**
- (71) Applicant: **Arper S.p.A.**, Monastier di Treviso, Treviso (IT)
- (72) Inventors: **Alberto Lievore**, Treviso (IT); **Jeannette Altherr**, Treviso (IT); **Manel Molina**, Treviso (IT)
- (73) Assignee: **Arper S.p.A.**, Monastier di Treviso, Treviso (IT)
- (**) Term: **14 Years**
- (21) Appl. No.: **29/502,580**
- (22) Filed: **Sep. 17, 2014**
- (30) **Foreign Application Priority Data**
Mar. 21, 2014 (WO) 801813901
- (51) **LOC (10) Cl.** **06-01**
- (52) **U.S. Cl.**
USPC **D6/381**
- (58) **Field of Classification Search**
CPC A47C 17/00; A47C 17/02; A47C 17/12; A47C 17/18; A47C 7/021; A47C 31/00; A47C 3/16
USPC D6/334, 335, 336, 381; 297/94, 118, 297/188.01, 445.1, 448.1, 452.11, DIG. 7, 297/DIG. 8
See application file for complete search history.

- (56) **References Cited**
U.S. PATENT DOCUMENTS
4,343,509 A * 8/1982 Lundgren 297/232
D335,588 S * 5/1993 Beirise D6/381
D401,078 S * 11/1998 Relling D6/381

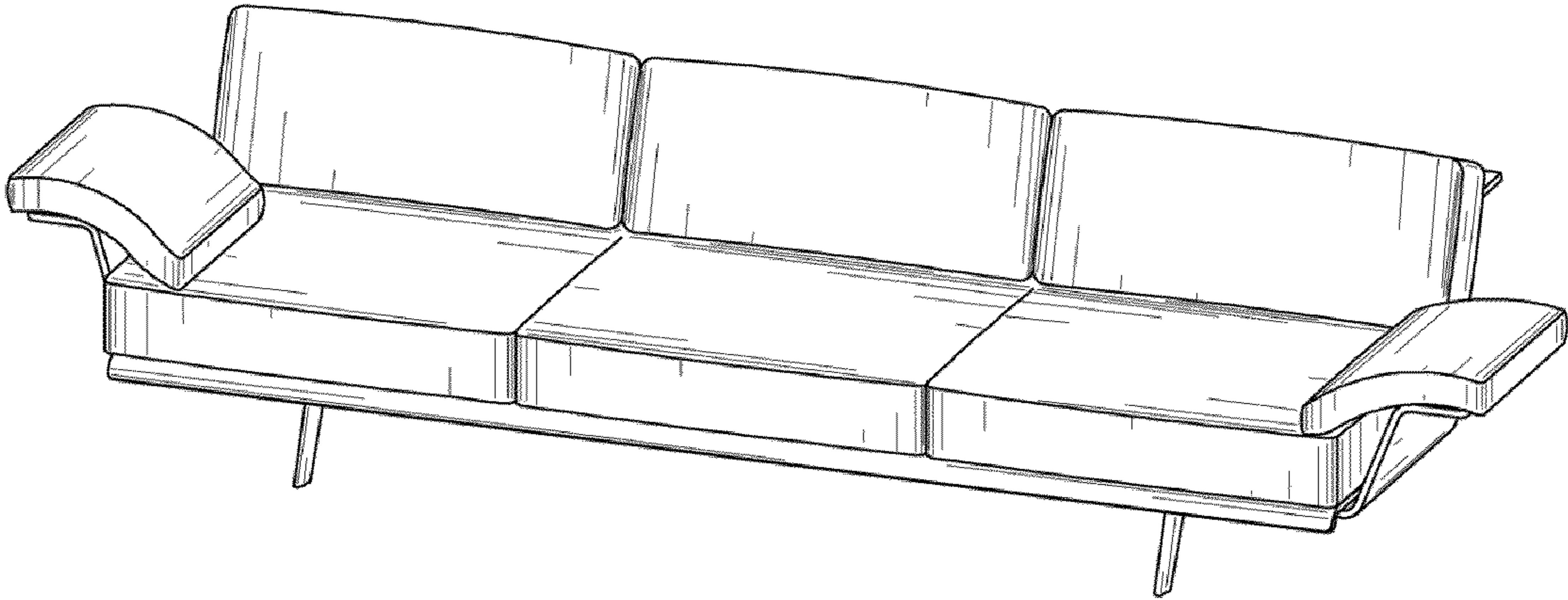
- D492,499 S * 7/2004 Relling et al. D6/381
- D499,270 S * 12/2004 Relling et al. D6/381
- D542,557 S * 5/2007 Lade D6/381
- D547,563 S * 7/2007 Lade D6/381
- D586,145 S * 2/2009 Guinochet D6/381
- D606,325 S * 12/2009 Gharabegian D6/334
- D612,167 S * 3/2010 Mourgue D6/381
- D616,215 S * 5/2010 Andersen D6/381
- D630,450 S * 1/2011 Wold D6/381
- D633,312 S * 3/2011 Wold D6/381
- D633,726 S * 3/2011 Wold D6/381
- D633,727 S * 3/2011 Wold D6/381
- D675,045 S * 1/2013 O'Brien D6/716.3
- D679,512 S * 4/2013 Lade D6/334
- D679,919 S * 4/2013 Lade D6/381
- D680,348 S * 4/2013 Lade D6/381
- D680,772 S * 4/2013 Lade D6/381
- D681,353 S * 5/2013 Lade D6/334
- D682,577 S * 5/2013 Lade D6/381
- D687,241 S * 8/2013 Beucler et al. D6/381
- D702,053 S * 4/2014 Beucler et al. D6/381
- D702,452 S * 4/2014 Beucler et al. D6/381
- D702,957 S * 4/2014 Natuzzi D6/381

* cited by examiner
Primary Examiner — Sandra Snapp
(74) *Attorney, Agent, or Firm* — Merchant & Gould P.C.

(57) **CLAIM**
The ornamental design for a sofa, as shown and described.

DESCRIPTION
FIG. 1 is a perspective view of a sofa showing our new design; FIG. 2 is a right side view thereof; FIG. 3 is a left side view thereof; FIG. 4 is a front view thereof; FIG. 5 is a rear view thereof; FIG. 6 is a top plan view thereof; and, FIG. 7 is a bottom plan view thereof.

1 Claim, 7 Drawing Sheets



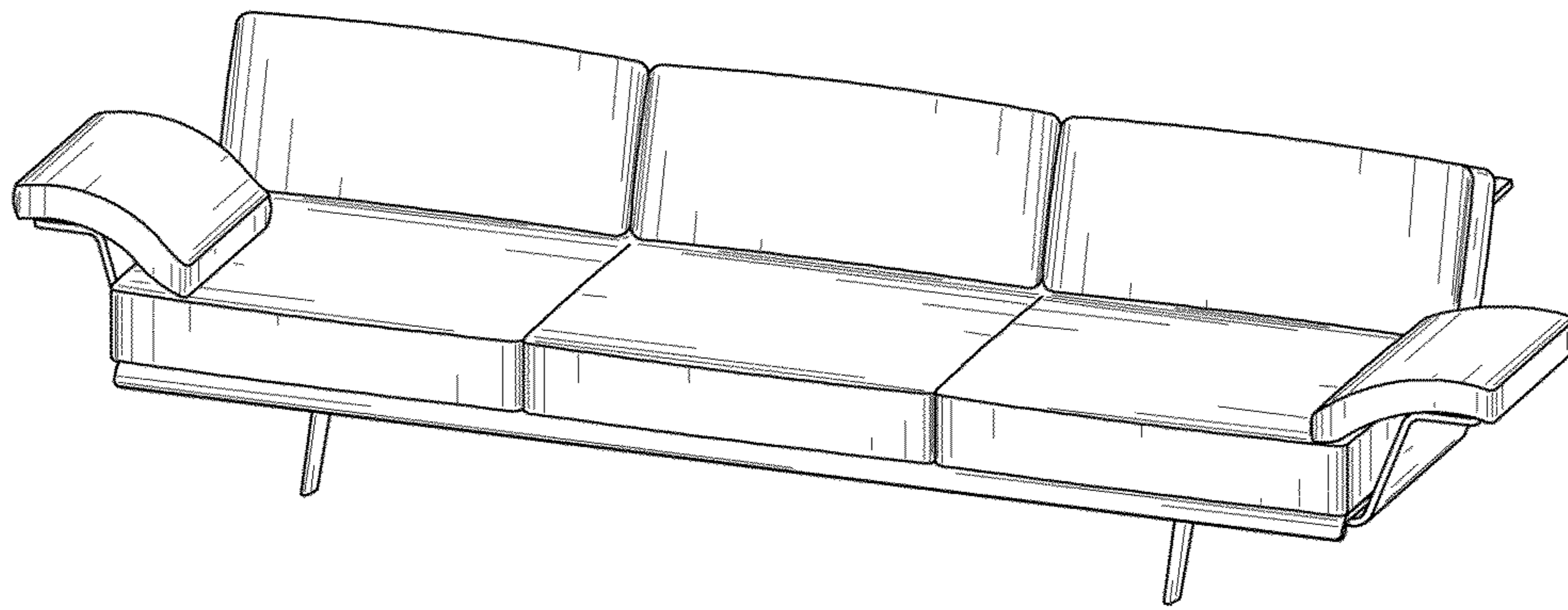


Fig.1

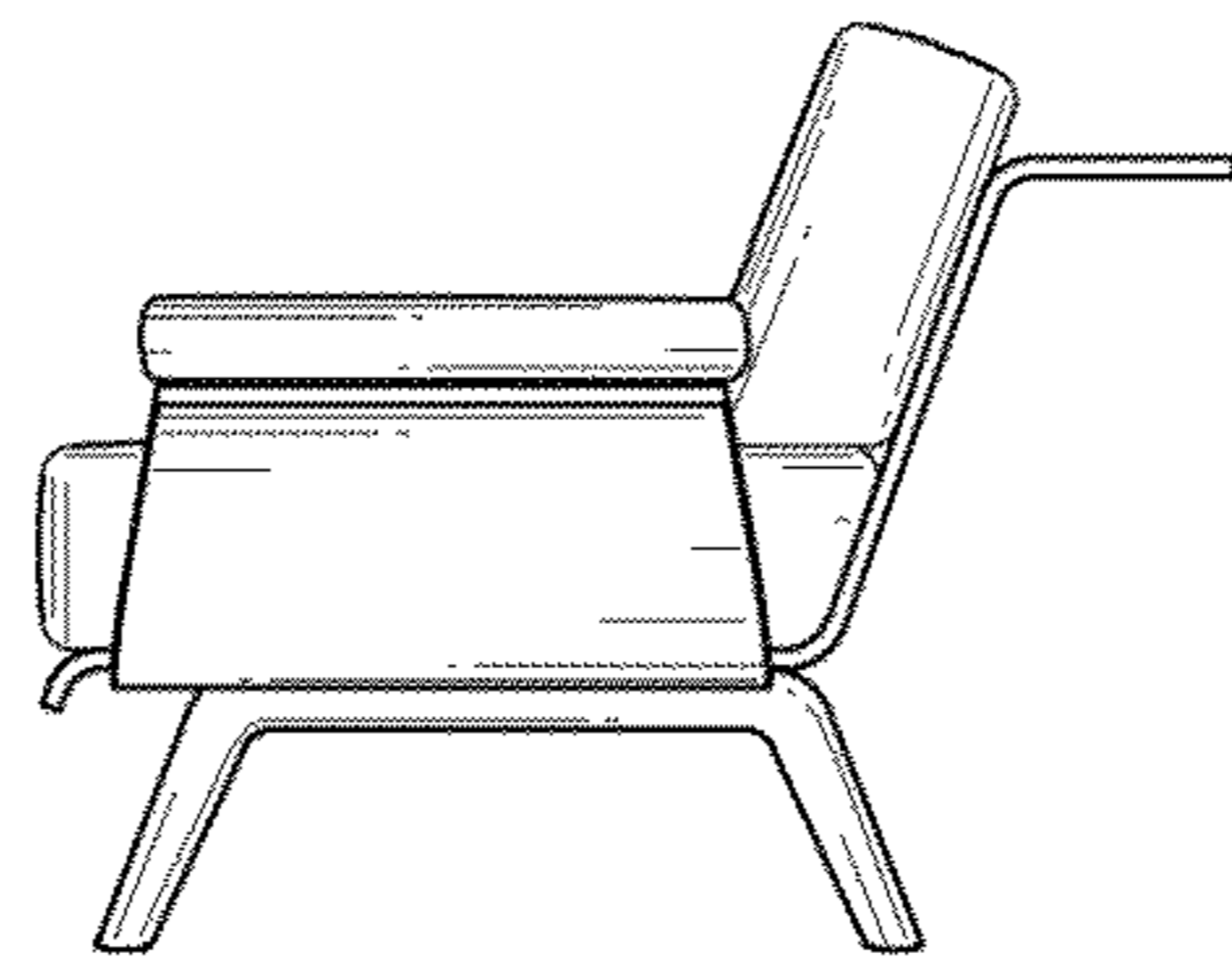


Fig.2

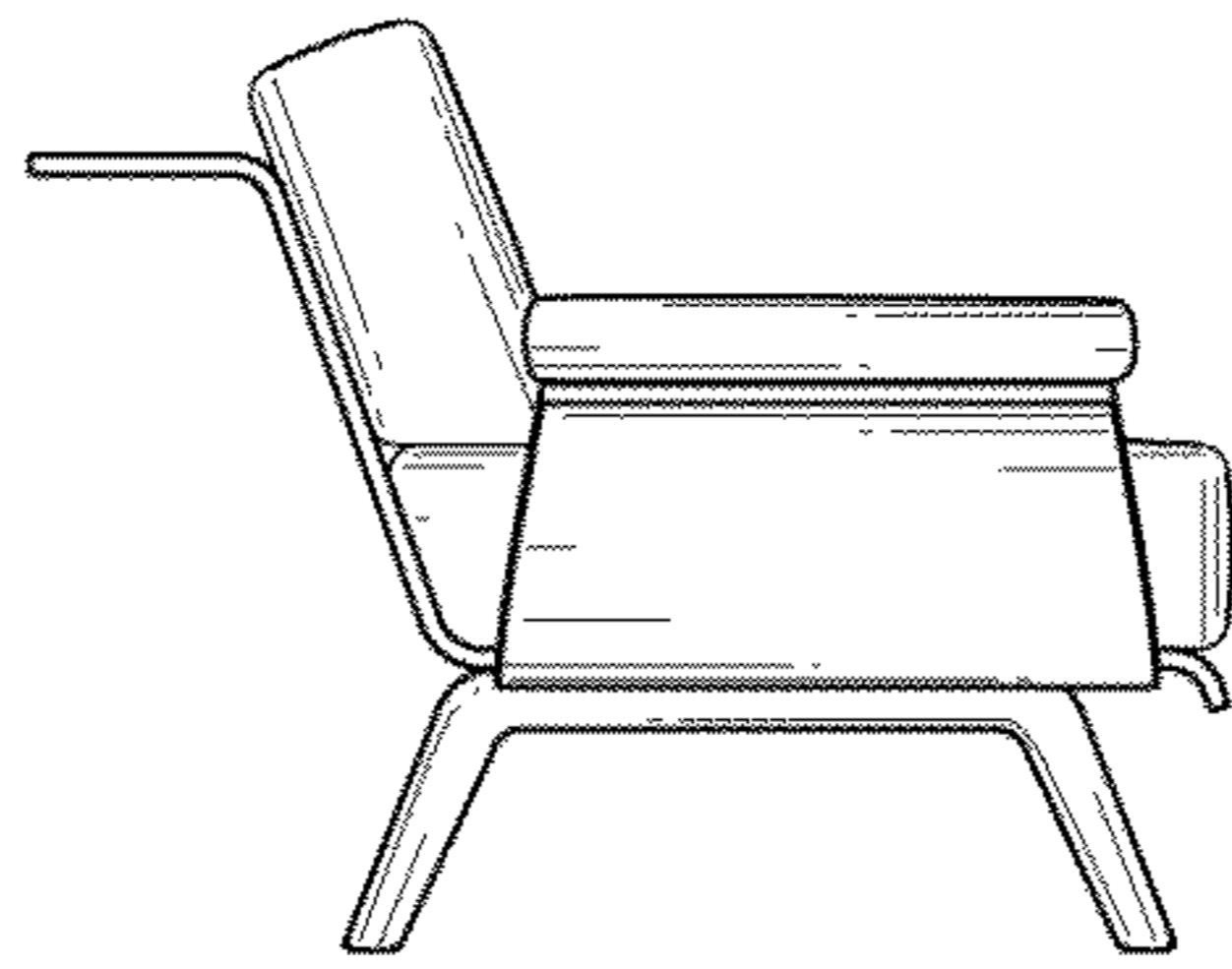


Fig.3

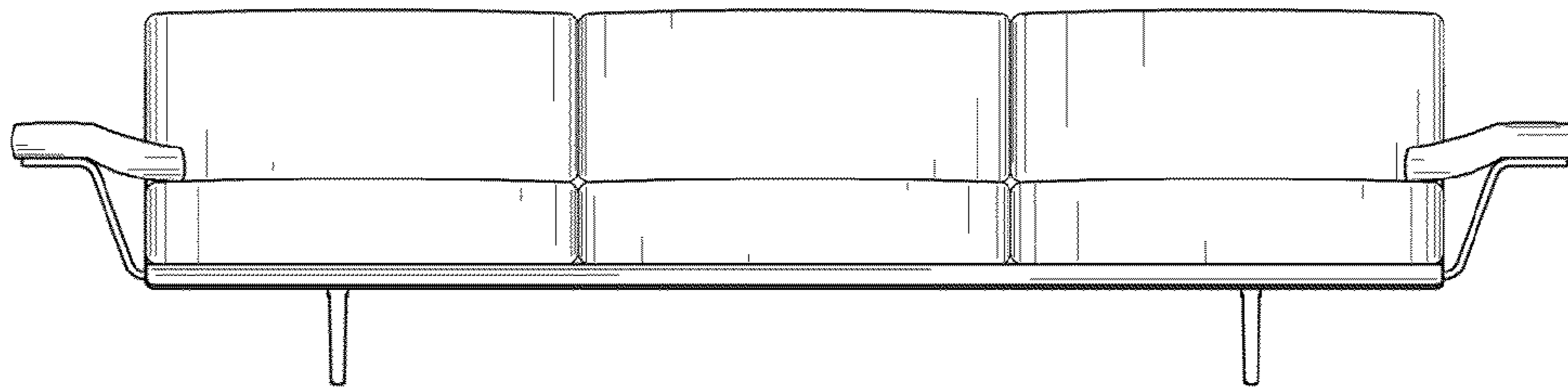


Fig.4

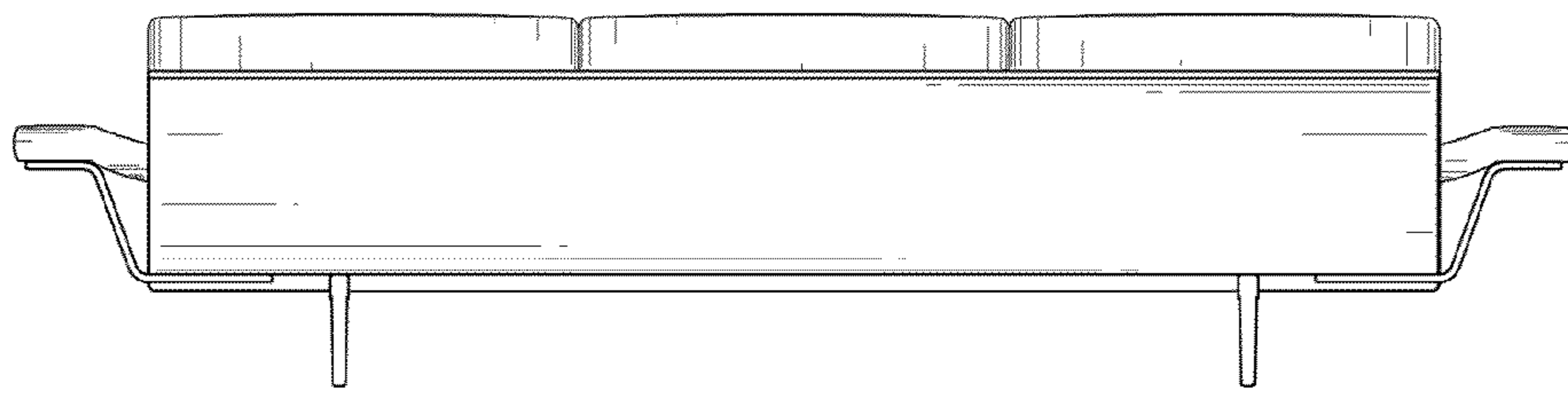


Fig.5

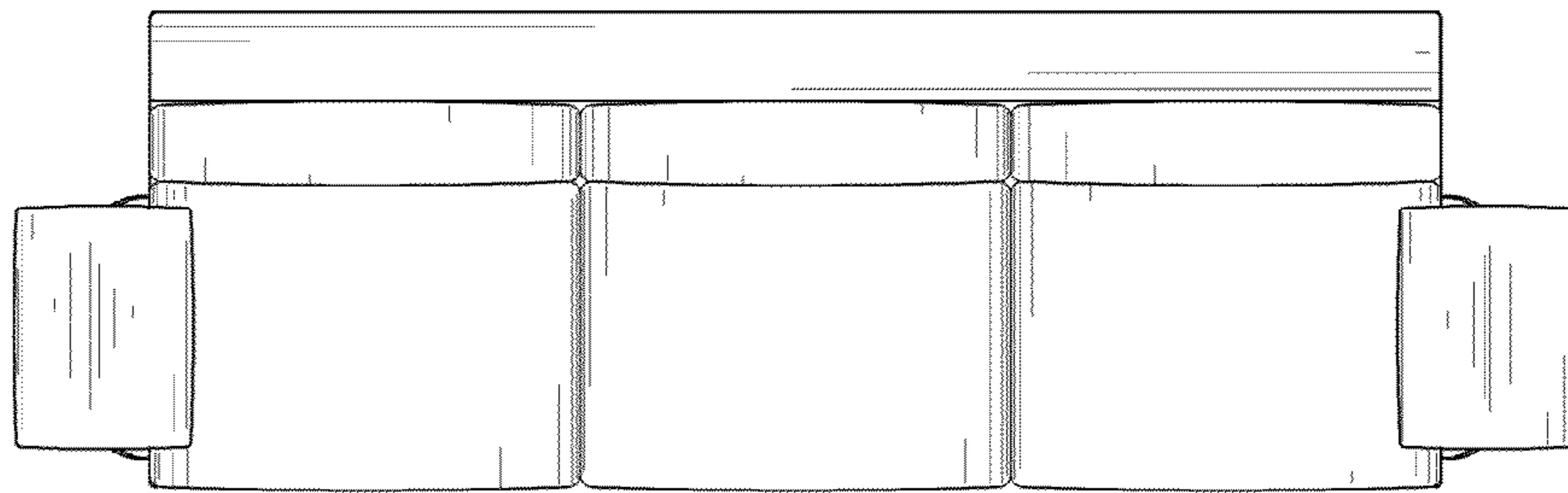


Fig.6

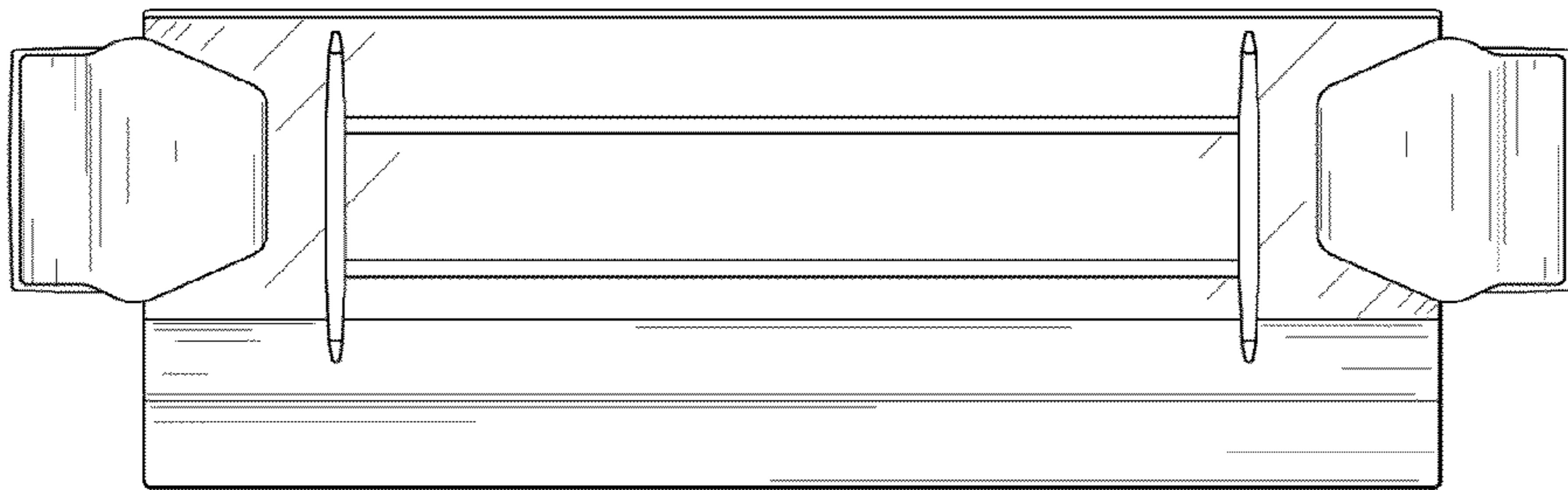


Fig.7