



US00D725928S

(12) **United States Design Patent**
Battisto

(10) **Patent No.:** **US D725,928 S**

(45) **Date of Patent:** **** Apr. 7, 2015**

(54) **FOLDING CHAIR**

(71) Applicant: **Gregory H. Battisto**, Aiken, SC (US)

(72) Inventor: **Gregory H. Battisto**, Aiken, SC (US)

(**) Term: **14 Years**

(21) Appl. No.: **29/450,782**

(22) Filed: **Mar. 22, 2013**

(51) **LOC (10) Cl.** **06-01**

(52) **U.S. Cl.**
USPC **D6/368**

(58) **Field of Classification Search**

USPC D6/334-336, 368, 374-381, 716,
D6/716.1-716.4; 224/155; 297/4, 16.1,
297/40-41, 55, 58, 129, 183.7, 188.06,
297/452.1, 452.21, 452.29

See application file for complete search history.

(56) **References Cited**

U.S. PATENT DOCUMENTS

4,487,345	A *	12/1984	Pierce et al.	224/155
4,676,548	A *	6/1987	Bradbury	297/129
5,139,308	A *	8/1992	Ziman	297/188.06
5,318,342	A *	6/1994	Hale	297/129
5,501,505	A *	3/1996	Jablonski	297/4
5,988,737	A *	11/1999	Tomaiuolo	297/129
6,048,023	A *	4/2000	Lampton	297/129
6,145,716	A *	11/2000	Caicedo	224/155
6,264,078	B1 *	7/2001	Bilang	224/155

7,118,172	B1 *	10/2006	Pattison-Sheets	297/129
D591,065	S *	4/2009	Pedemonte	D6/335
D685,584	S *	7/2013	Ammann, Jr.	D6/336
8,573,454	B2 *	11/2013	Talavera Tolentino	224/155

* cited by examiner

Primary Examiner — Ricky Pham

(57) **CLAIM**

The ornamental design for a folding chair, as shown and described.

DESCRIPTION

FIG. 1 is a perspective view of a folding chair in a unfolded configuration;

FIG. 2 is a front view thereof;

FIG. 3 is a rear view thereof;

FIG. 4 is a left view thereof;

FIG. 5 is a right view thereof;

FIG. 6 is a top view thereof;

FIG. 7 is a bottom view thereof;

FIG. 8 is a perspective view of a folding chair in a folded configuration;

FIG. 9 is a front view thereof;

FIG. 10 is a rear view thereof;

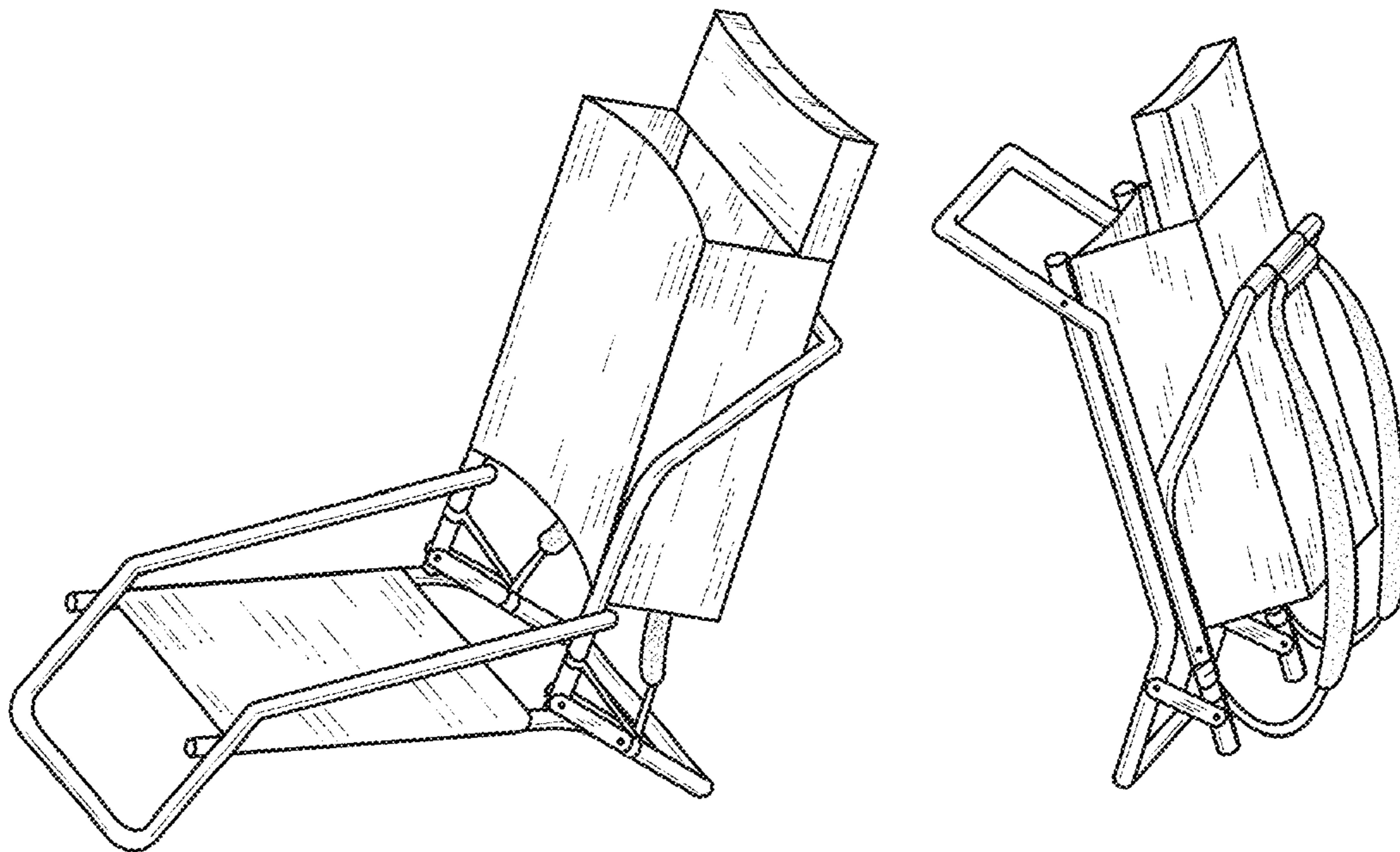
FIG. 11 is a left view thereof;

FIG. 12 is a right view thereof;

FIG. 13 is a top view thereof; and,

FIG. 14 is a bottom view thereof.

1 Claim, 14 Drawing Sheets



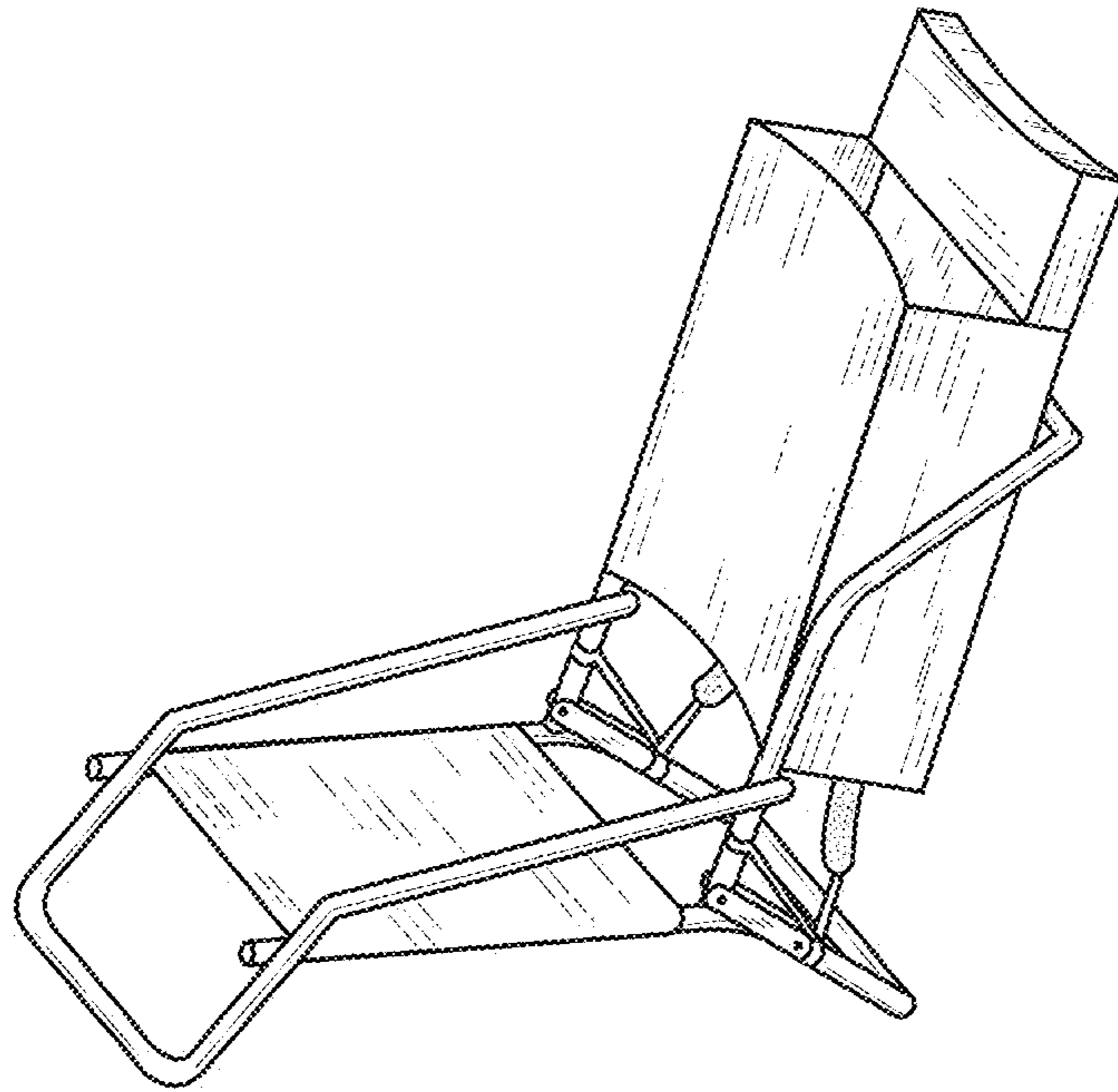


FIG. 1

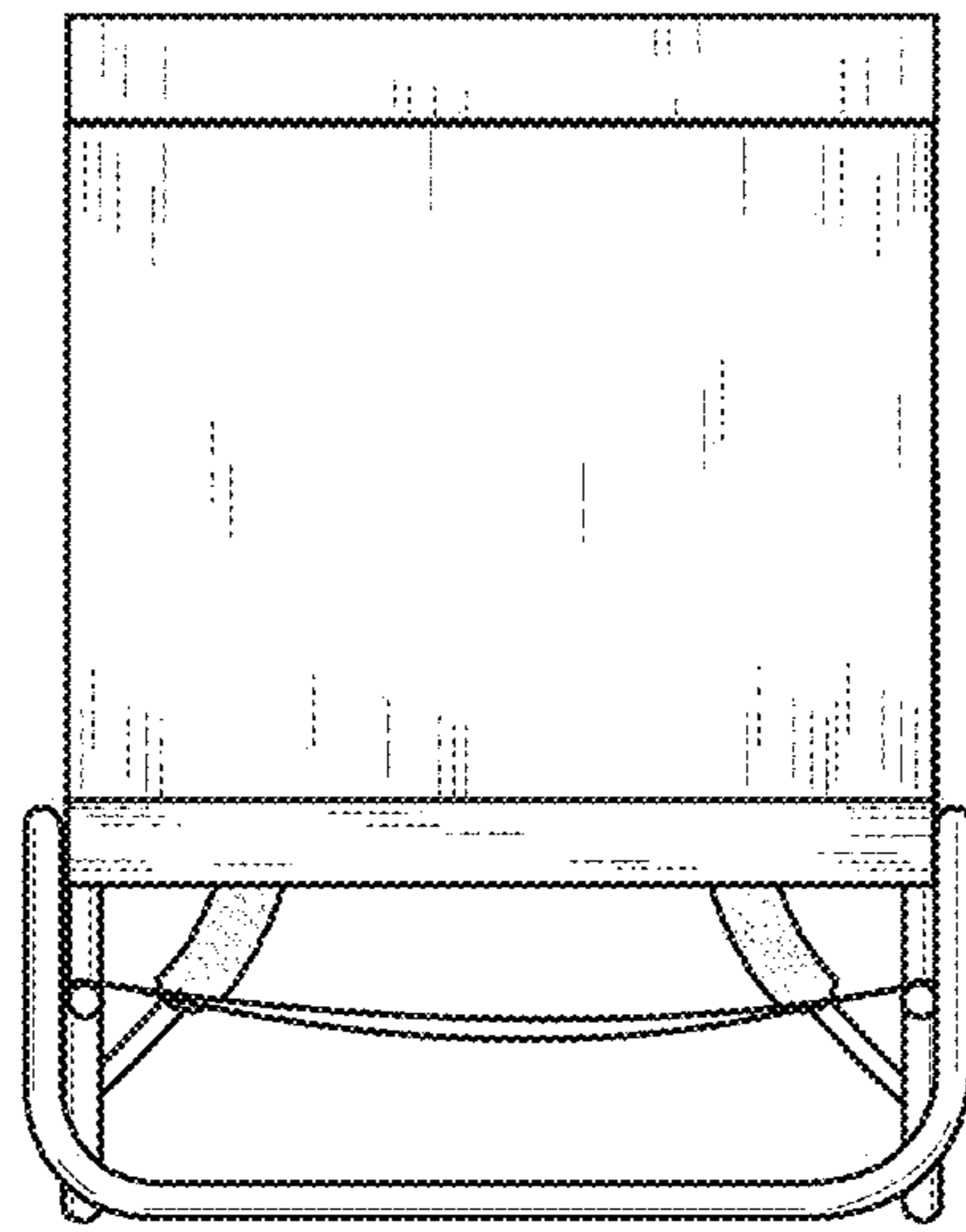


FIG. 2

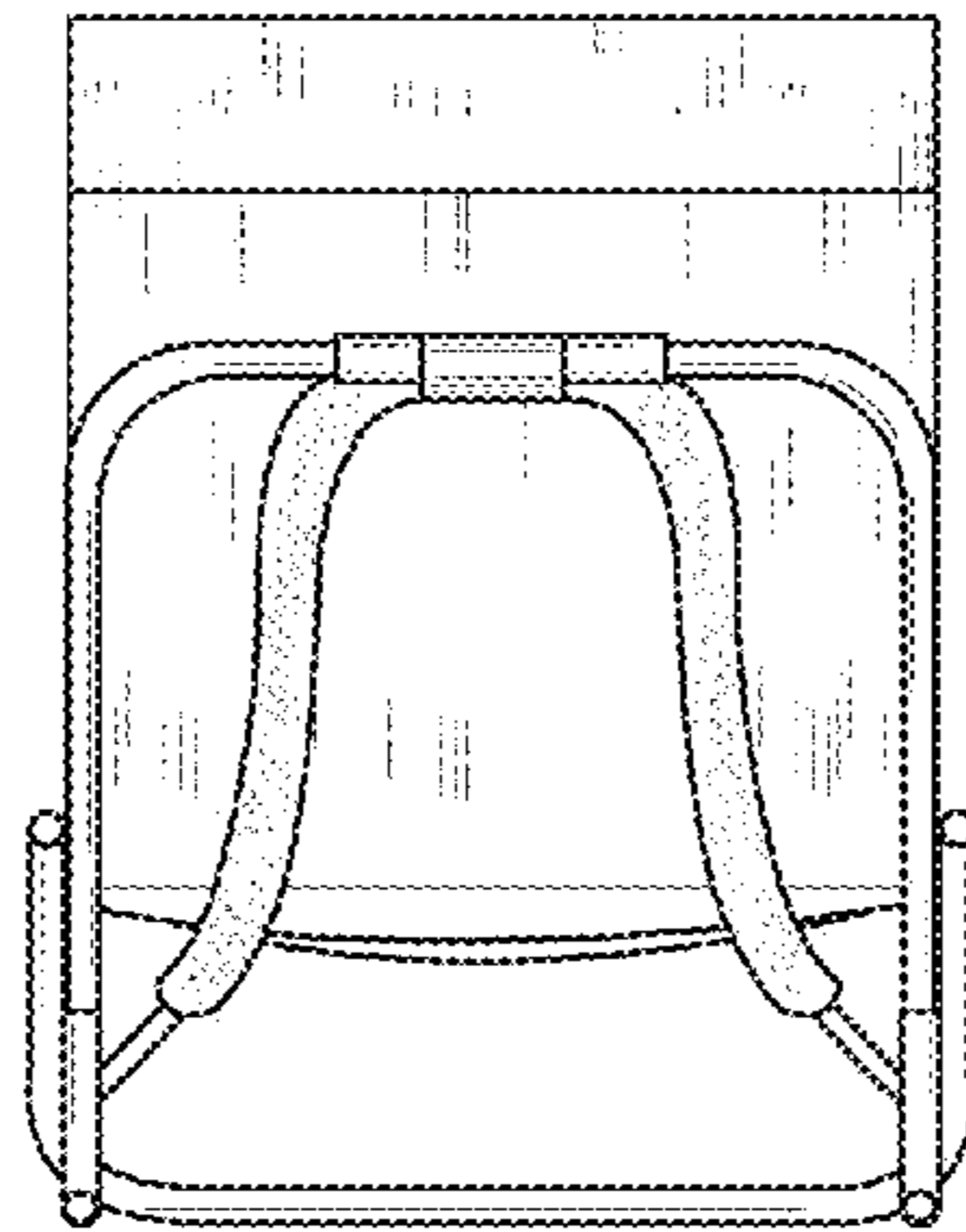


FIG. 3

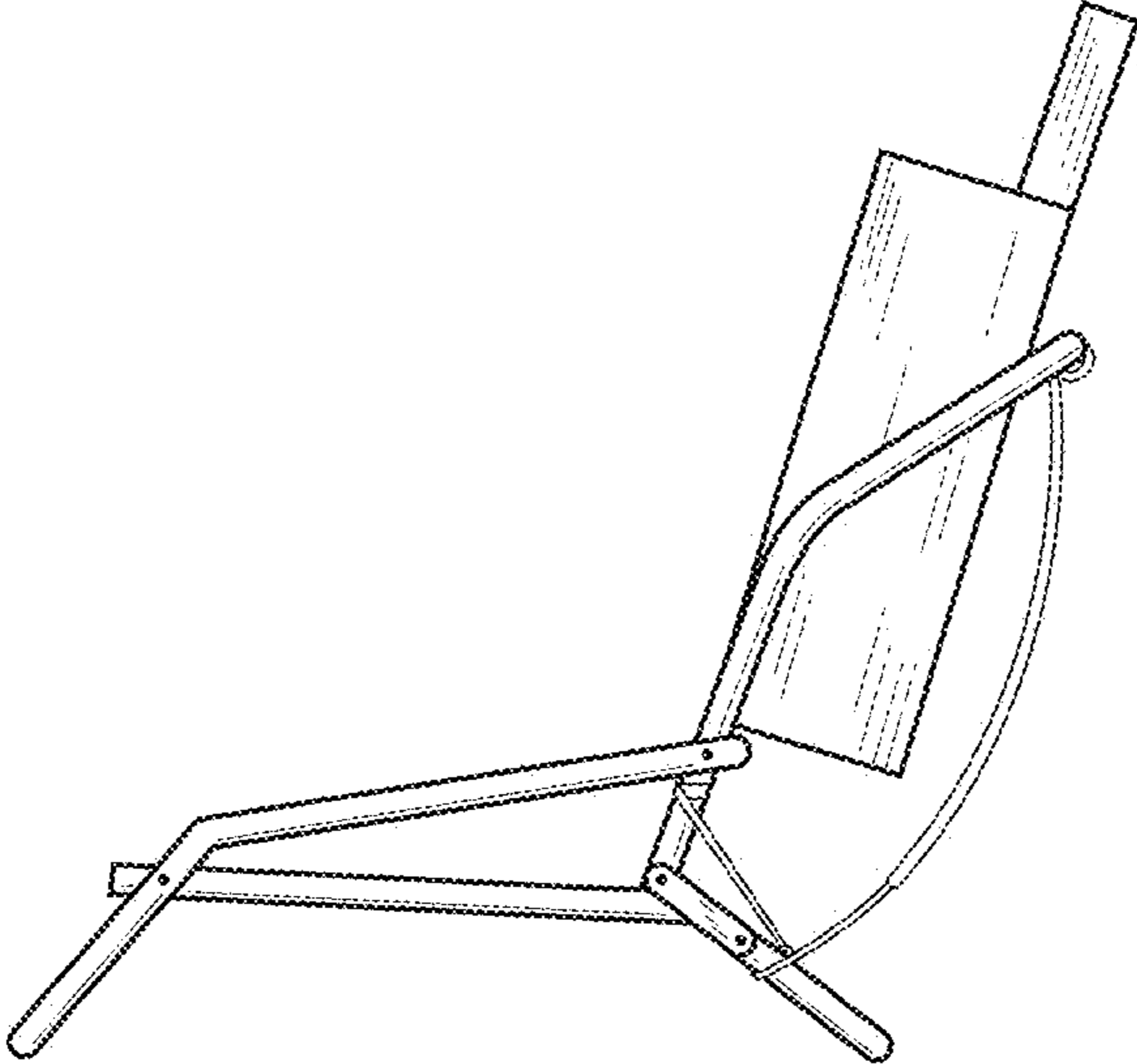


FIG. 4

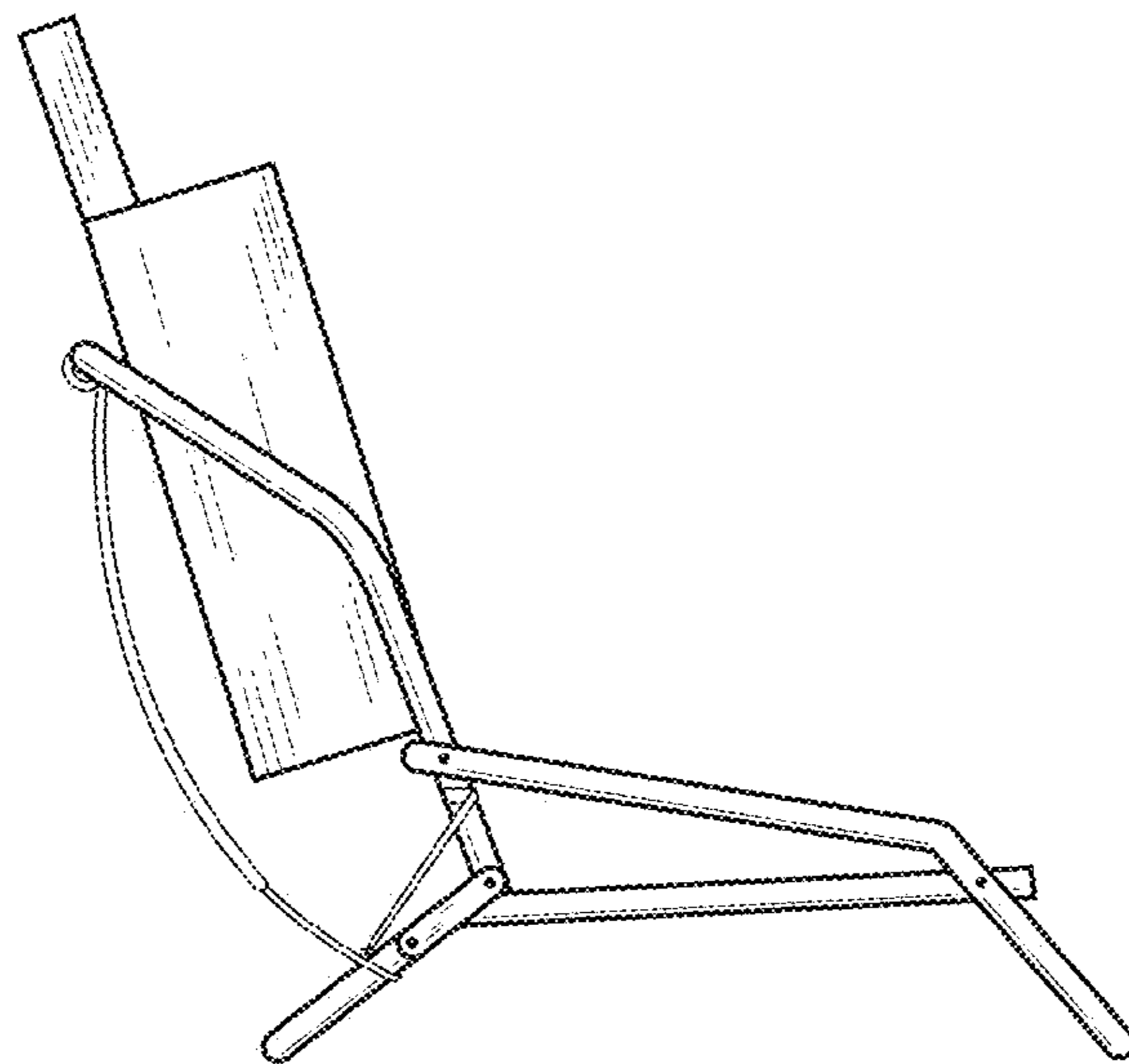


FIG. 5

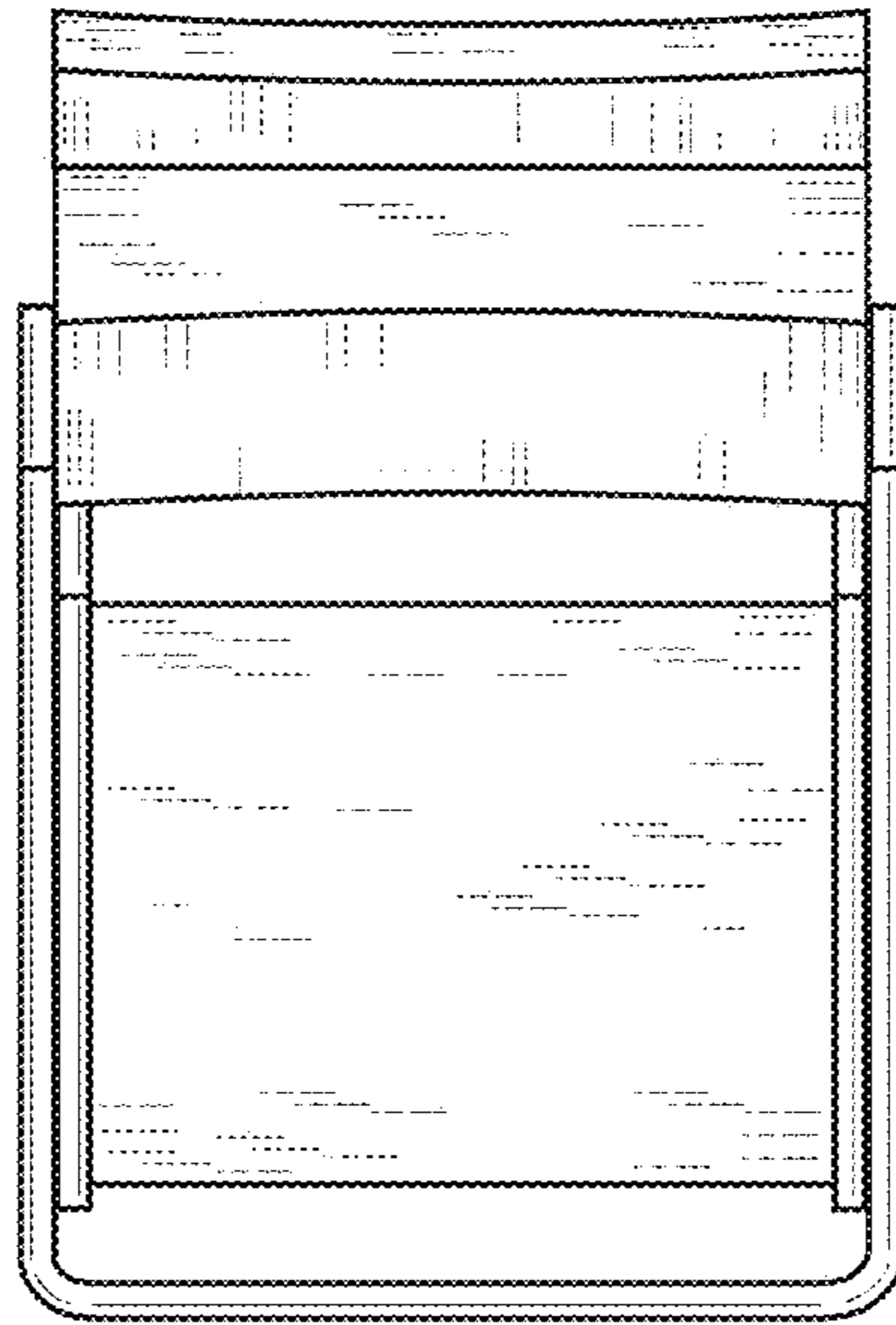


FIG. 6

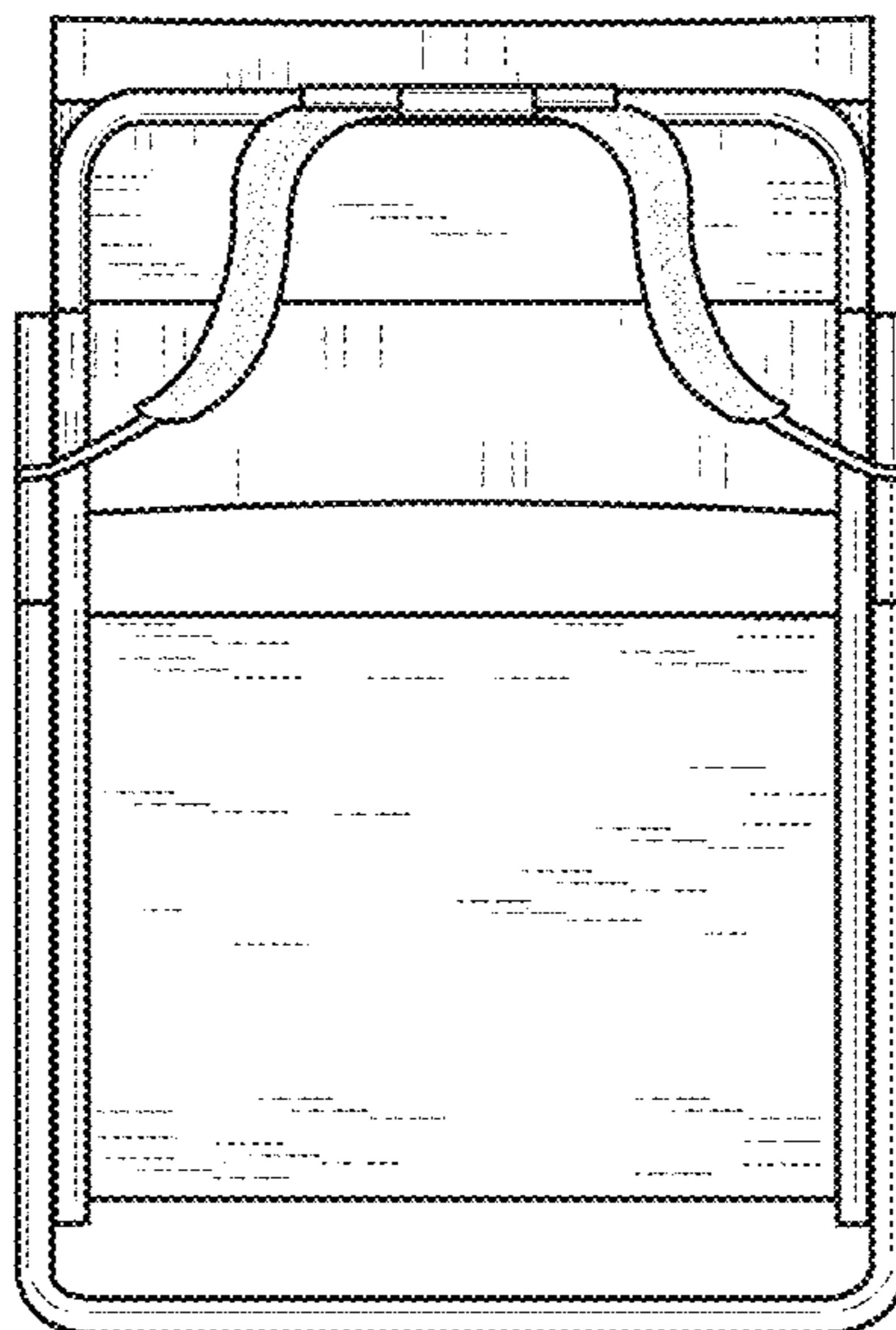


FIG. 7

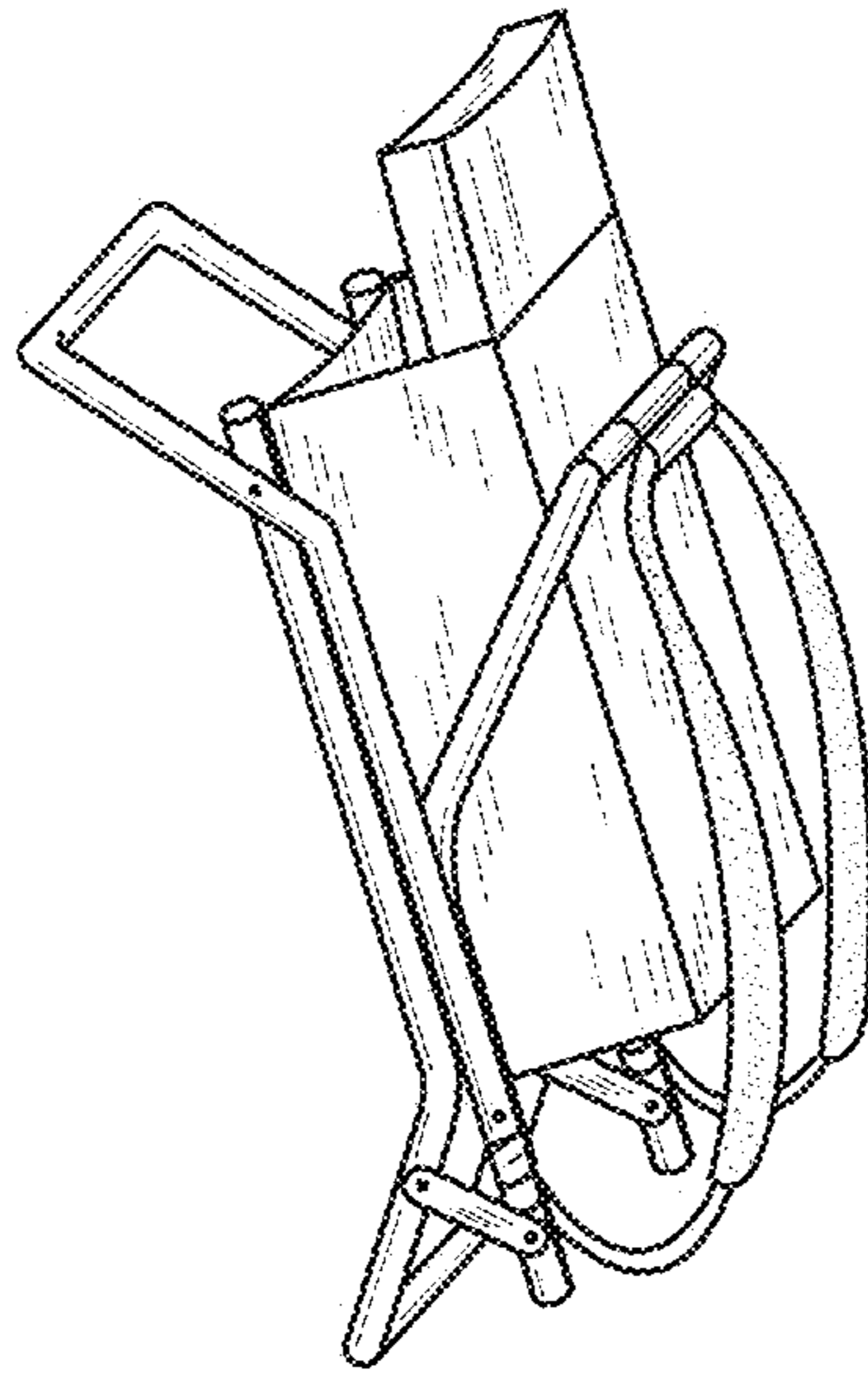


FIG. 8

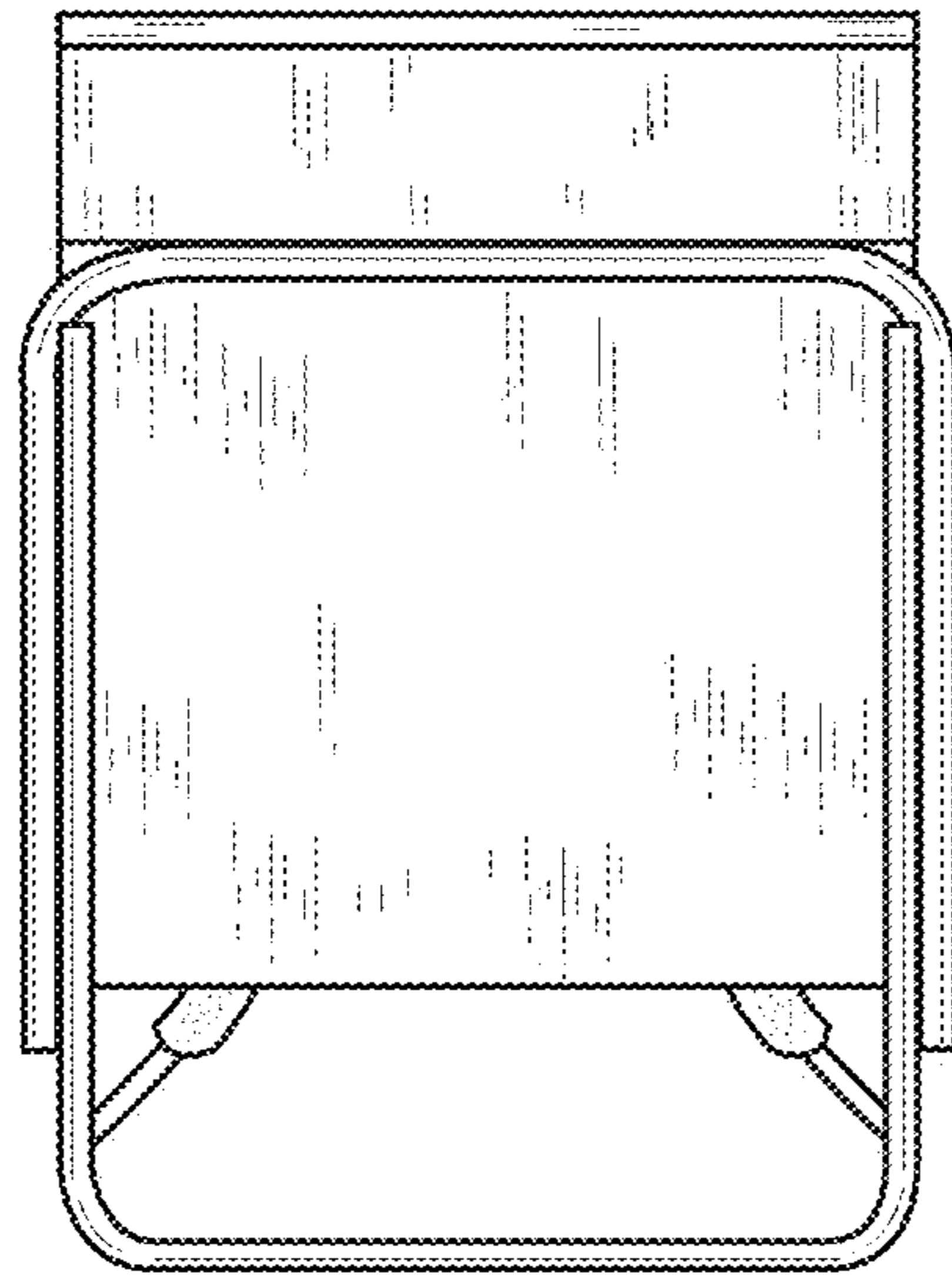


FIG. 9

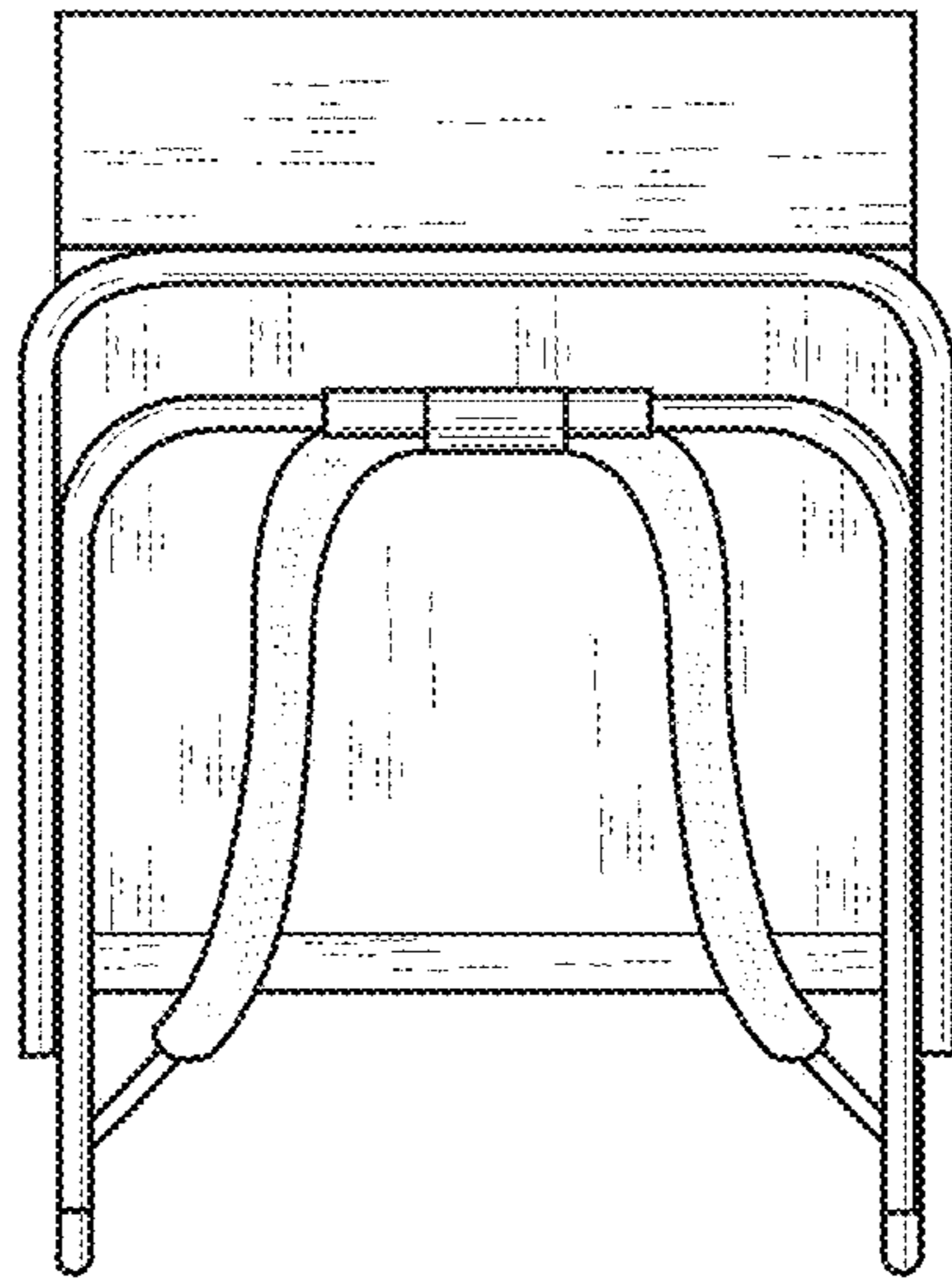


FIG. 10

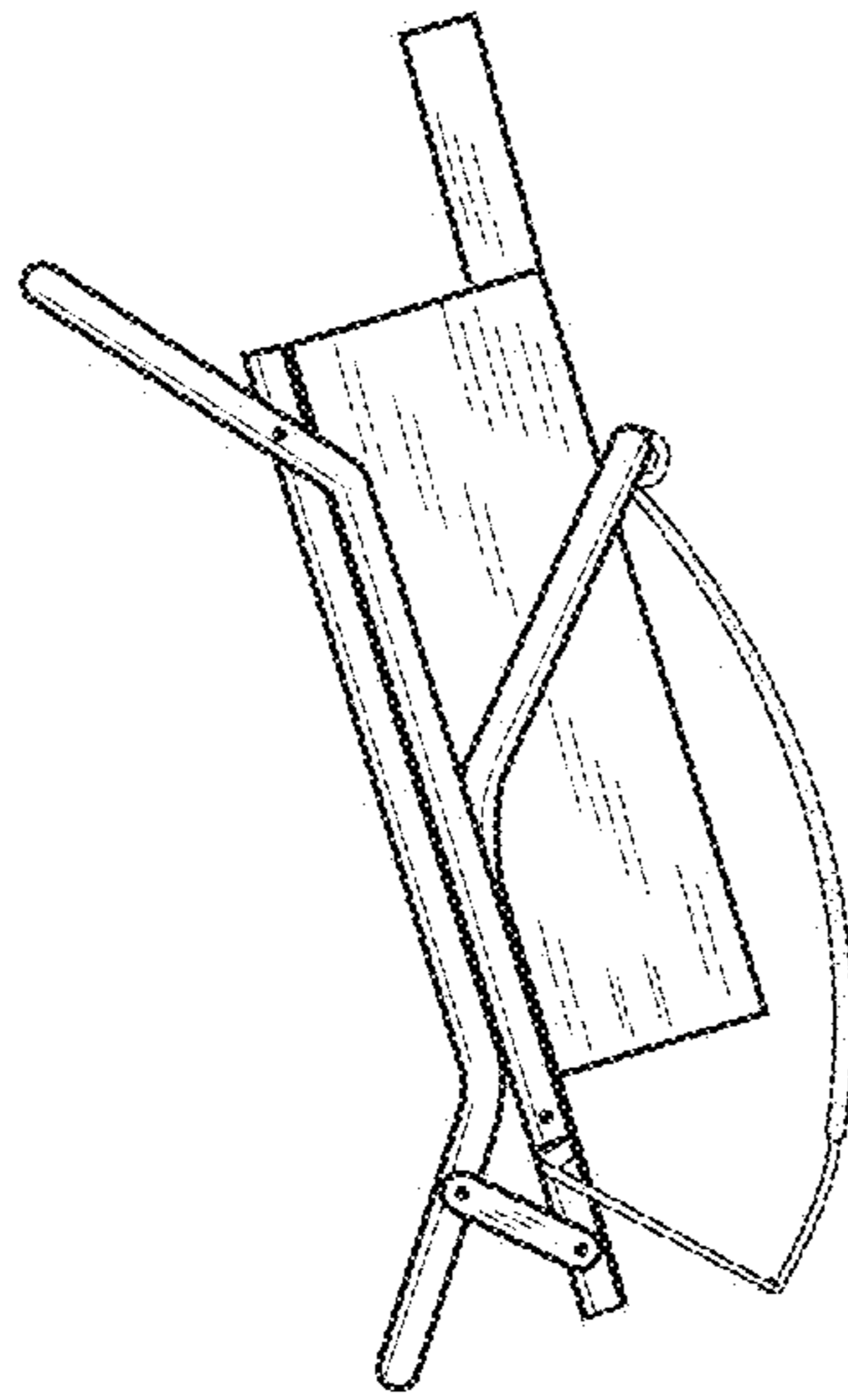


FIG. 11

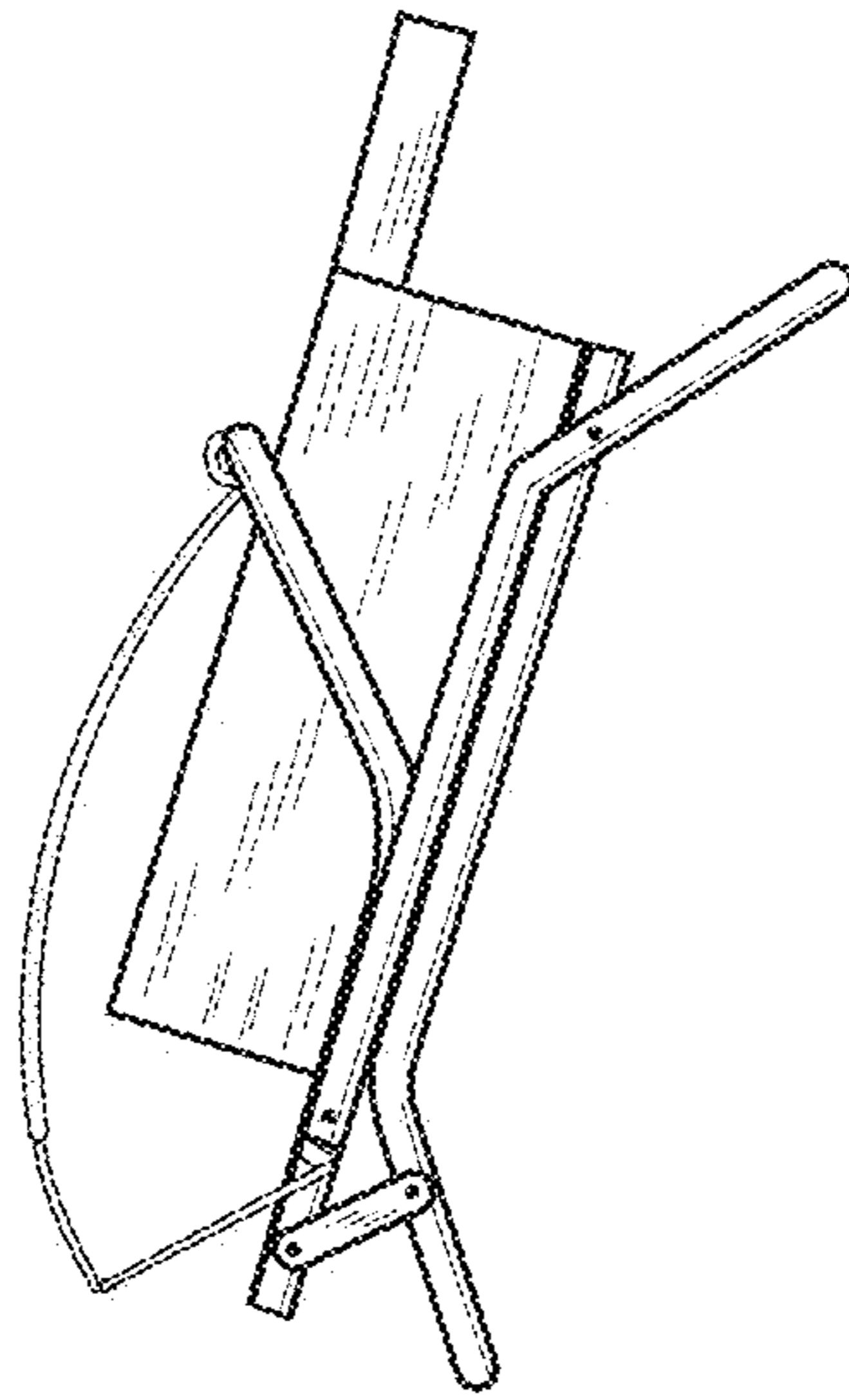


FIG. 12

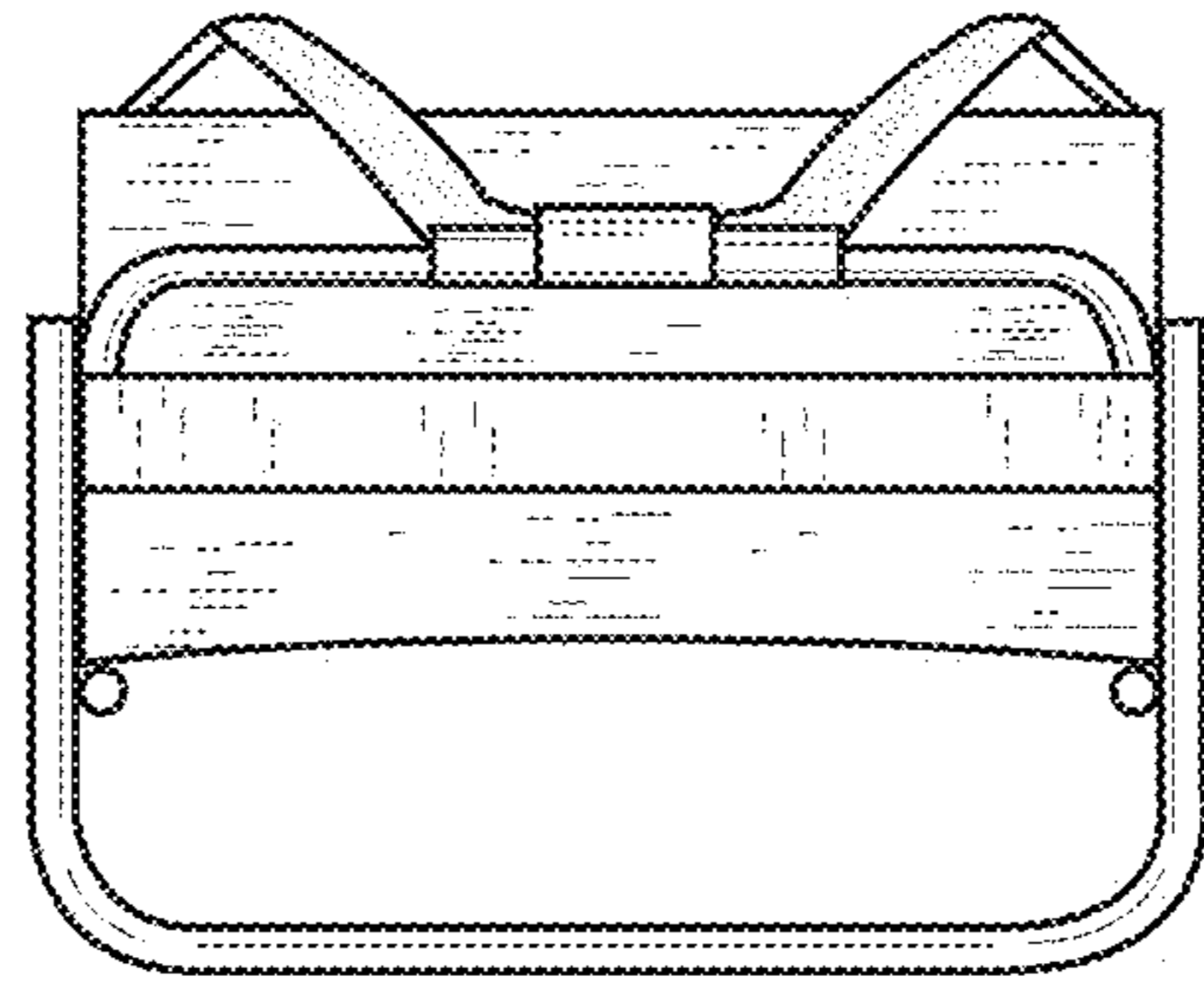


FIG. 13

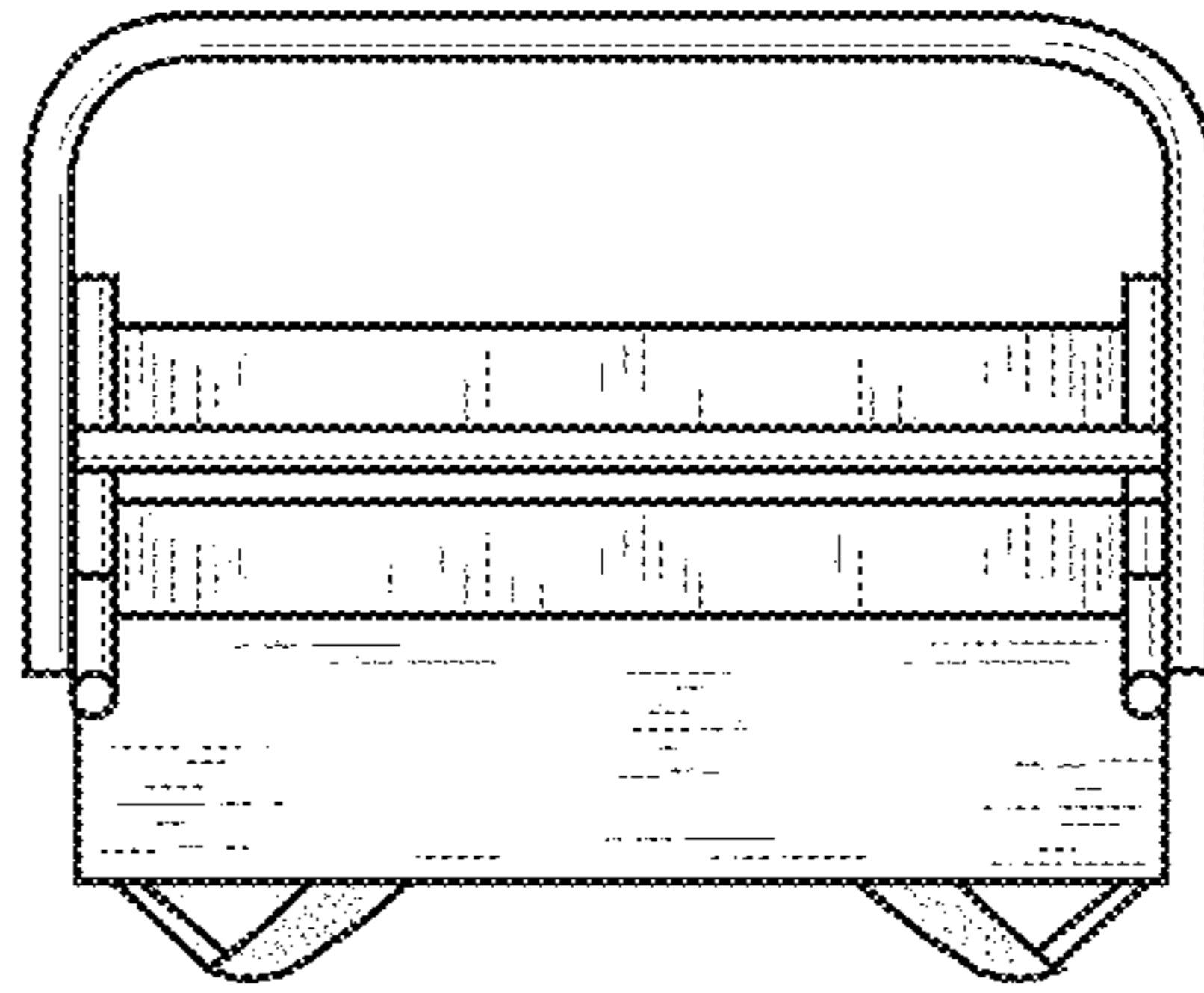


FIG. 14