



US00D725927S

(12) **United States Design Patent**
Carter

(10) **Patent No.:** **US D725,927 S**

(45) **Date of Patent:** **** Apr. 7, 2015**

(54) **PASSENGER SEAT**

(75) Inventor: **Raymond Carter**, Marina del Rey, CA
(US)

(73) Assignee: **Grammer AG**, Amberg (DE)

(**) Term: **14 Years**

(21) Appl. No.: **29/427,591**

(22) Filed: **Jul. 19, 2012**

(30) **Foreign Application Priority Data**

Jan. 19, 2012 (EM) 001310767-0003
Jan. 19, 2012 (EM) 001310767-0004
Jan. 19, 2012 (EM) 001310767-0007

(51) **LOC (10) Cl.** **06-01**

(52) **U.S. Cl.**
USPC **D6/356**

(58) **Field of Classification Search**
USPC D6/333-336, 344-356, 360-381, 388,
D6/403, 491-502, 692, 708, 716,
D6/716.2-716.4; 297/256.16, 271.6,
297/284.4-284.5, 291, 297, 302.4, 353,
297/344.1, 354.1, 362.13, 396, 411.2,
297/411.27-411.29, 411.43, 423.1, 423.12,
297/440.11, 440.15, 440.21-440.24, 448.1,
297/451.4, 452.13, 452.19, 452.21, 452.27,
297/452.29, 452.3, 452.41, 452.56, 452.64
See application file for complete search history.

(56) **References Cited**

U.S. PATENT DOCUMENTS

D186,105 S * 9/1959 Dietz et. al. D6/356
D198,783 S * 8/1964 Barecki D6/356
D264,774 S * 6/1982 McGirk et al. D6/356

D273,540 S * 4/1984 Wagner et al. D6/356
D277,239 S * 1/1985 White D6/356
D277,526 S * 2/1985 White D6/356
D394,756 S * 6/1998 Gryp et al. D6/356
D495,171 S * 8/2004 Wesley D6/501
D505,796 S * 6/2005 Johnson D6/356
D510,825 S * 10/2005 Kalinowski et al. D6/502
D541,542 S * 5/2007 Yokoyama et al. D6/356
D686,422 S * 7/2013 Robinson D6/356
2003/0094842 A1 * 5/2003 Williamson 297/362.13

* cited by examiner

Primary Examiner — Ricky Pham

(74) *Attorney, Agent, or Firm* — Von Rohrscheidt Patents

(57) **CLAIM**

The ornamental design for a passenger seat, as shown and described.

DESCRIPTION

FIG. 1 illustrates a front right perspective view of a first embodiment of the passenger seat showing the new design.

FIG. 2 illustrates a back left perspective view of the passenger seat in FIG. 1.

FIG. 3 illustrates a left side view of the passenger seat in FIG. 1.

FIG. 4 illustrates a rear view of the passenger seat in FIG. 1.

FIG. 5 illustrates a top view of the passenger seat in FIG. 1.

FIG. 6 illustrates a front right perspective view of a second embodiment of the passenger seat showing the new design.

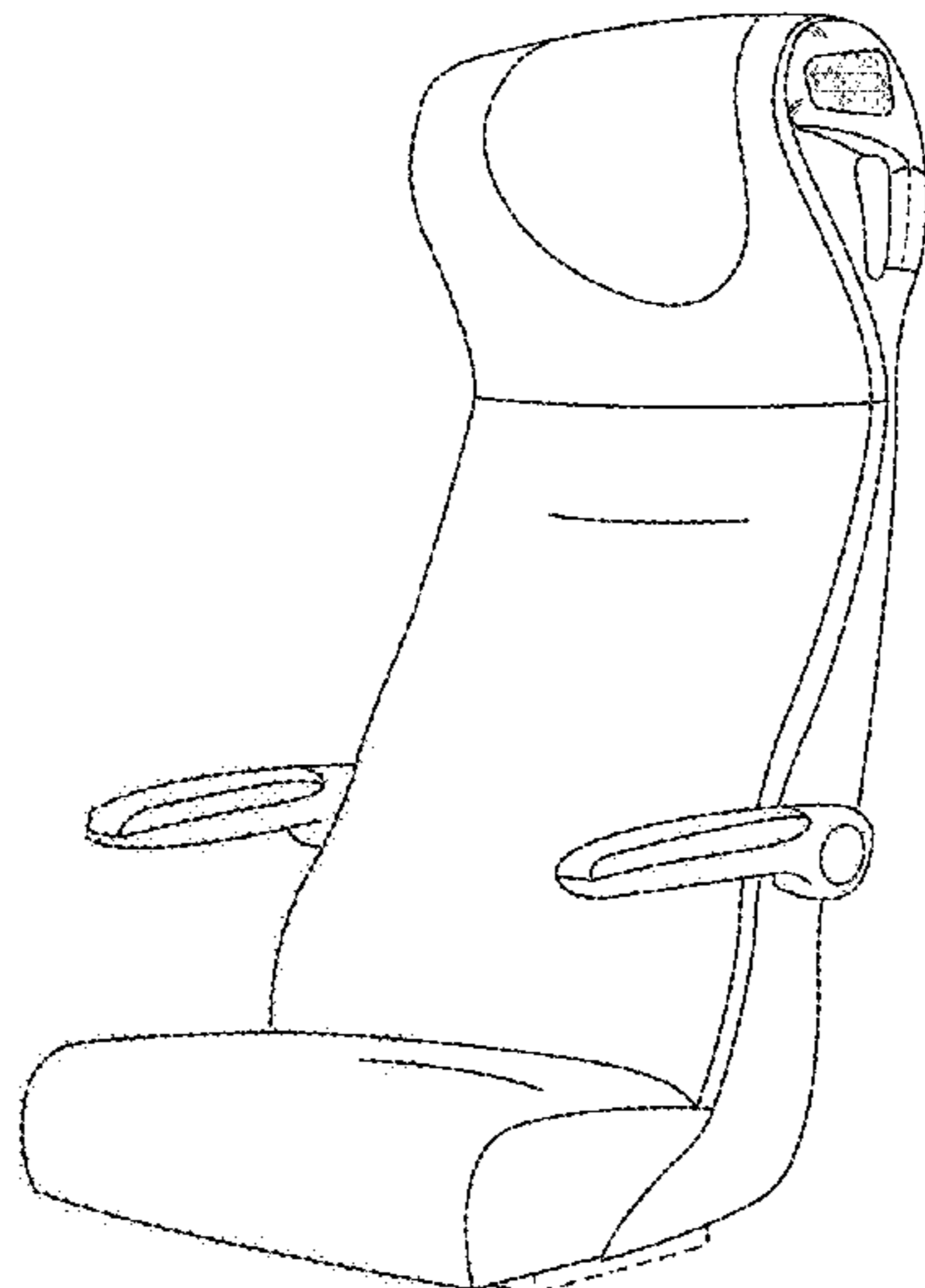
FIG. 7 illustrates a back left perspective view of the passenger seat in FIG. 6.

FIG. 8 illustrates a side view of the passenger seat in FIG. 6.

FIG. 9 illustrates a top view of the passenger seat in FIG. 6; and,

FIG. 10 illustrates a rear view of the passenger seat in FIG. 6. Portions shown in broken lines form no part of the claimed design.

1 Claim, 10 Drawing Sheets



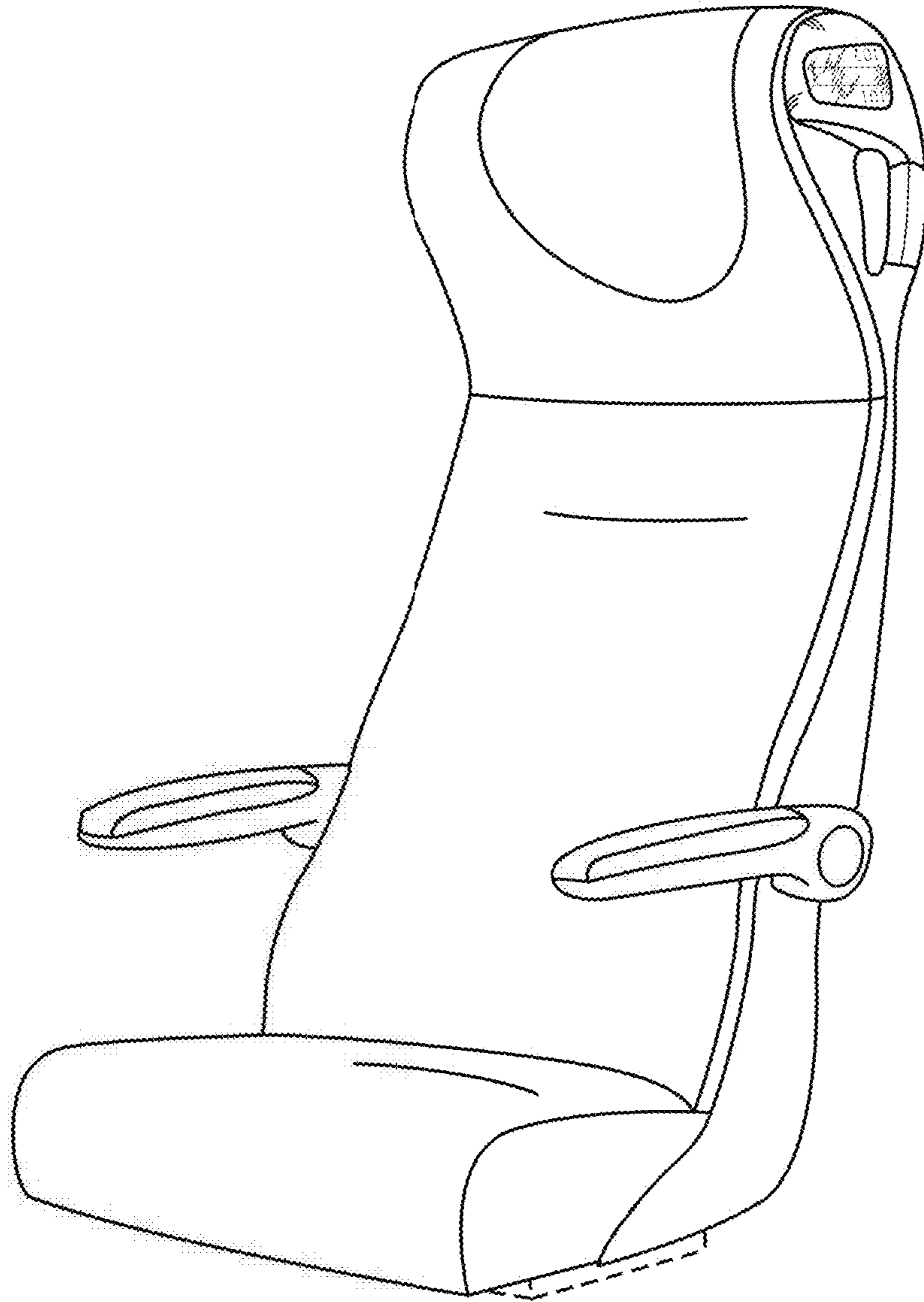


FIG. 1

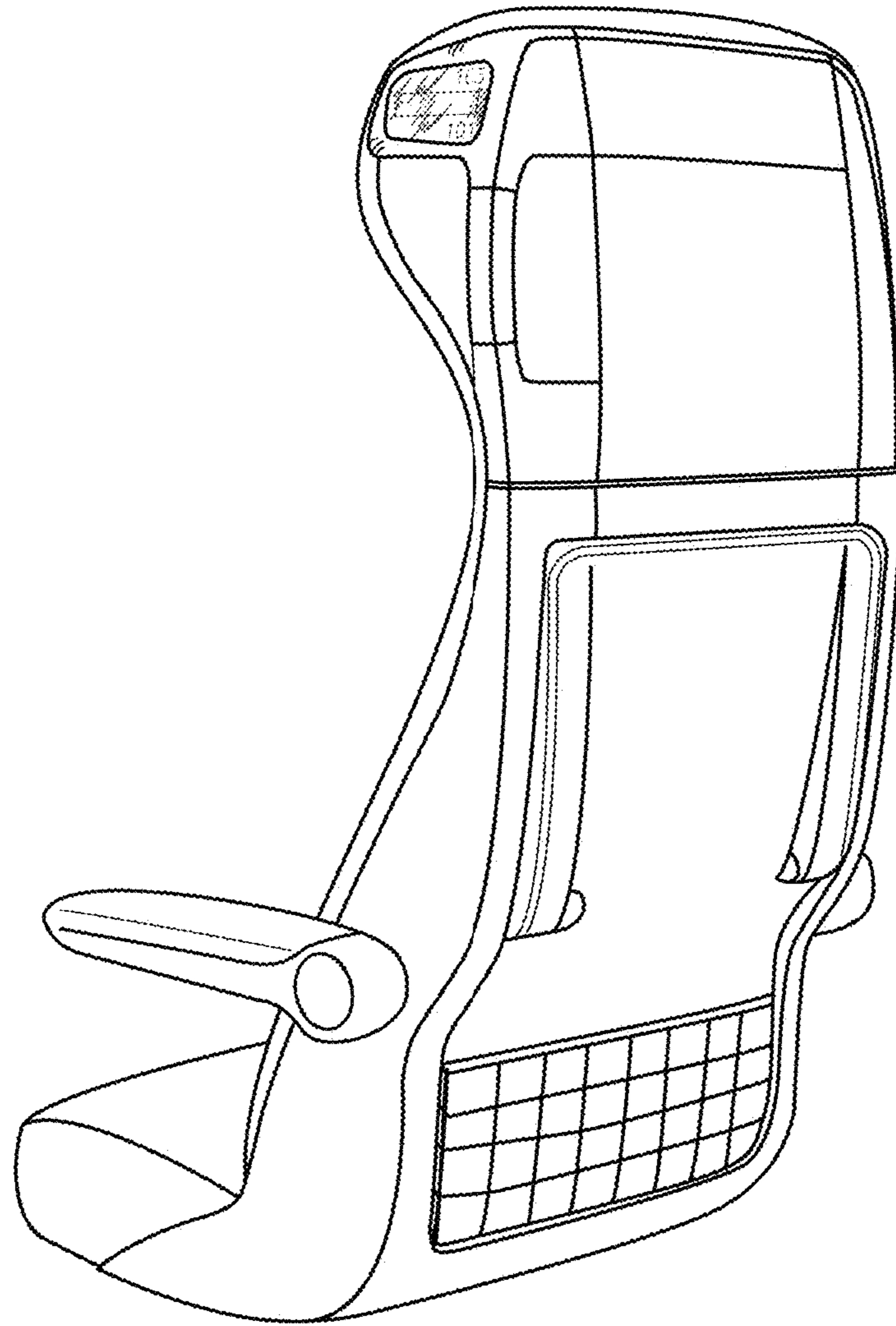


FIG. 2

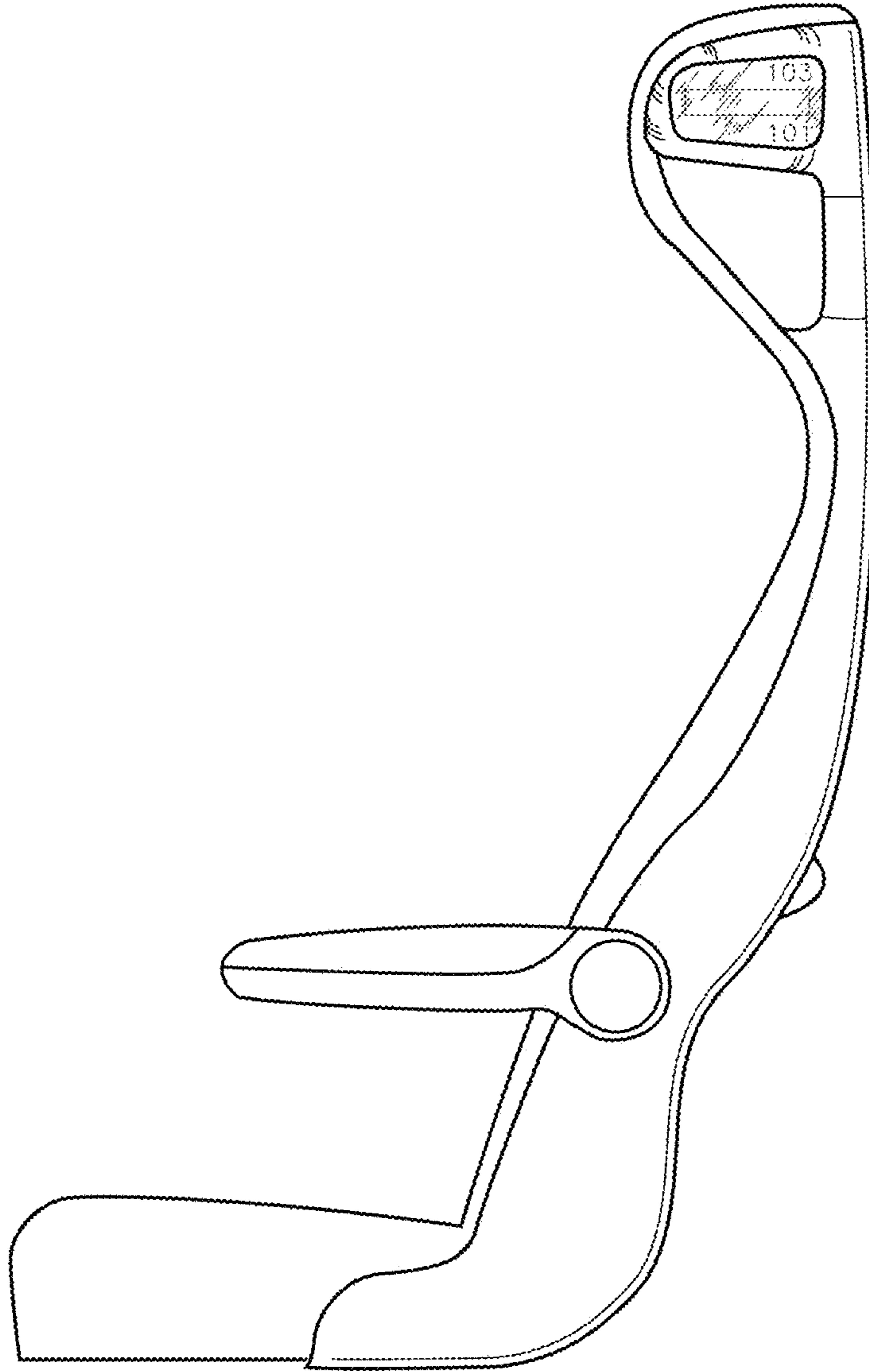


FIG. 3

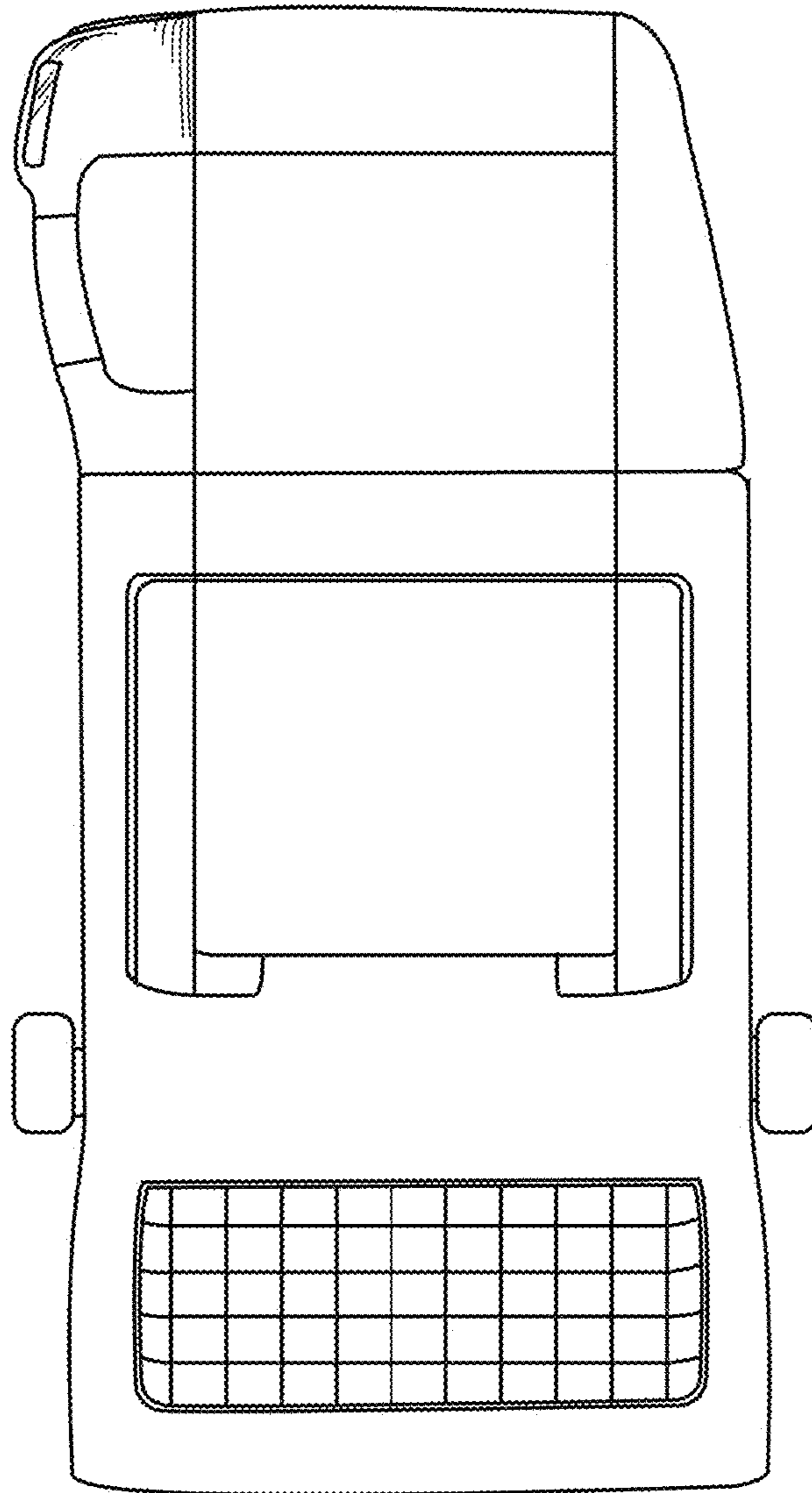


FIG. 4

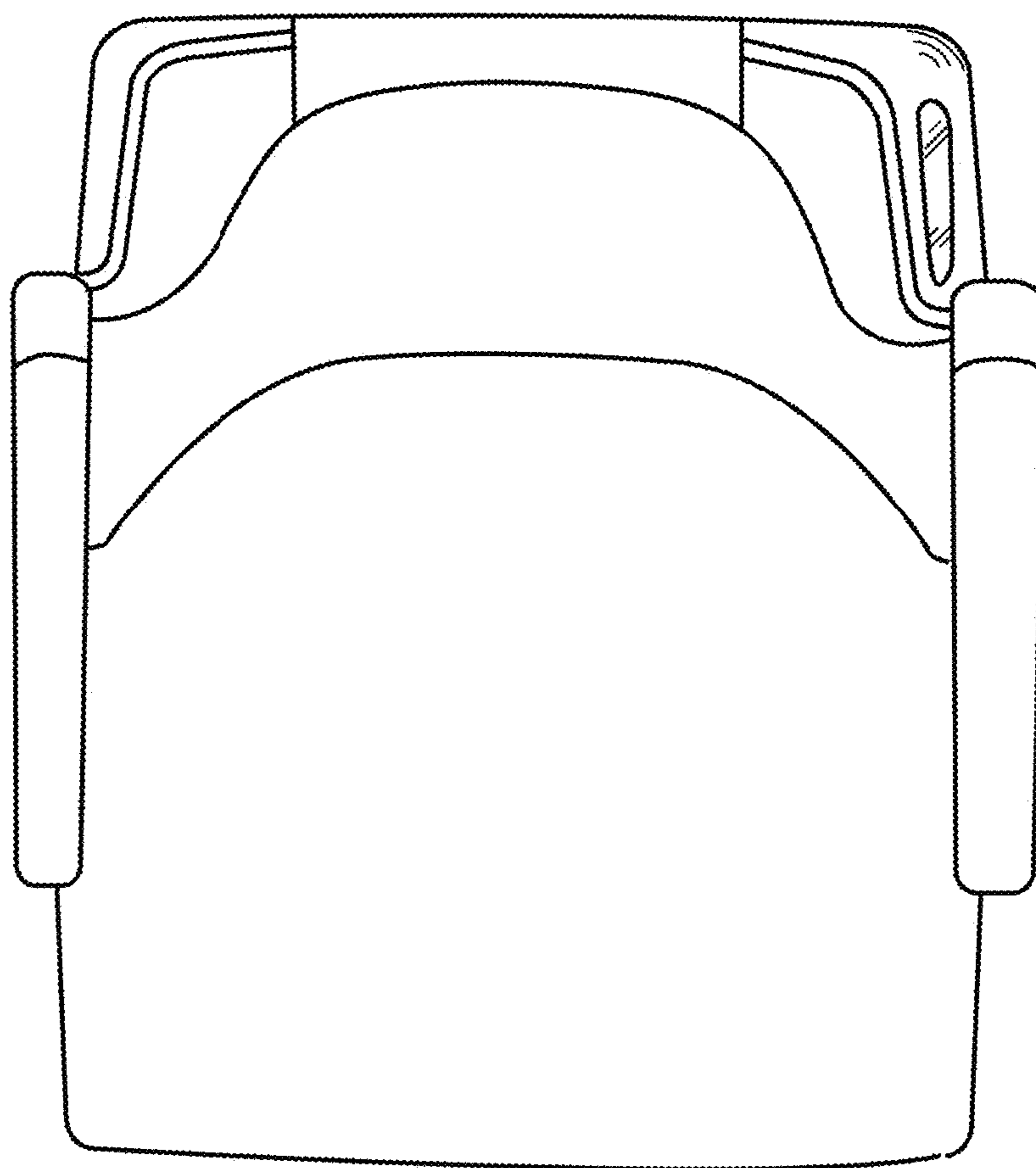


FIG. 5

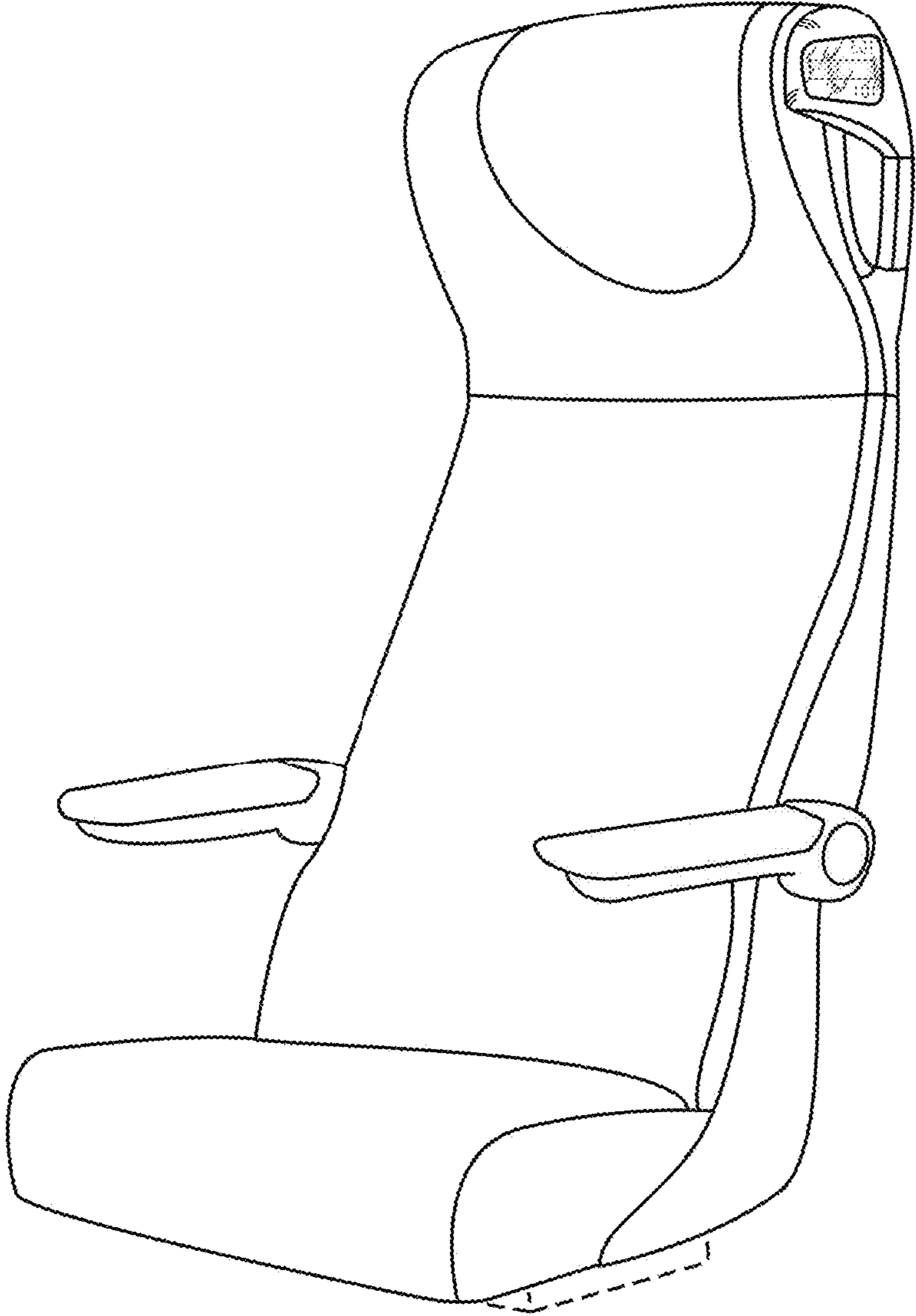


FIG. 6

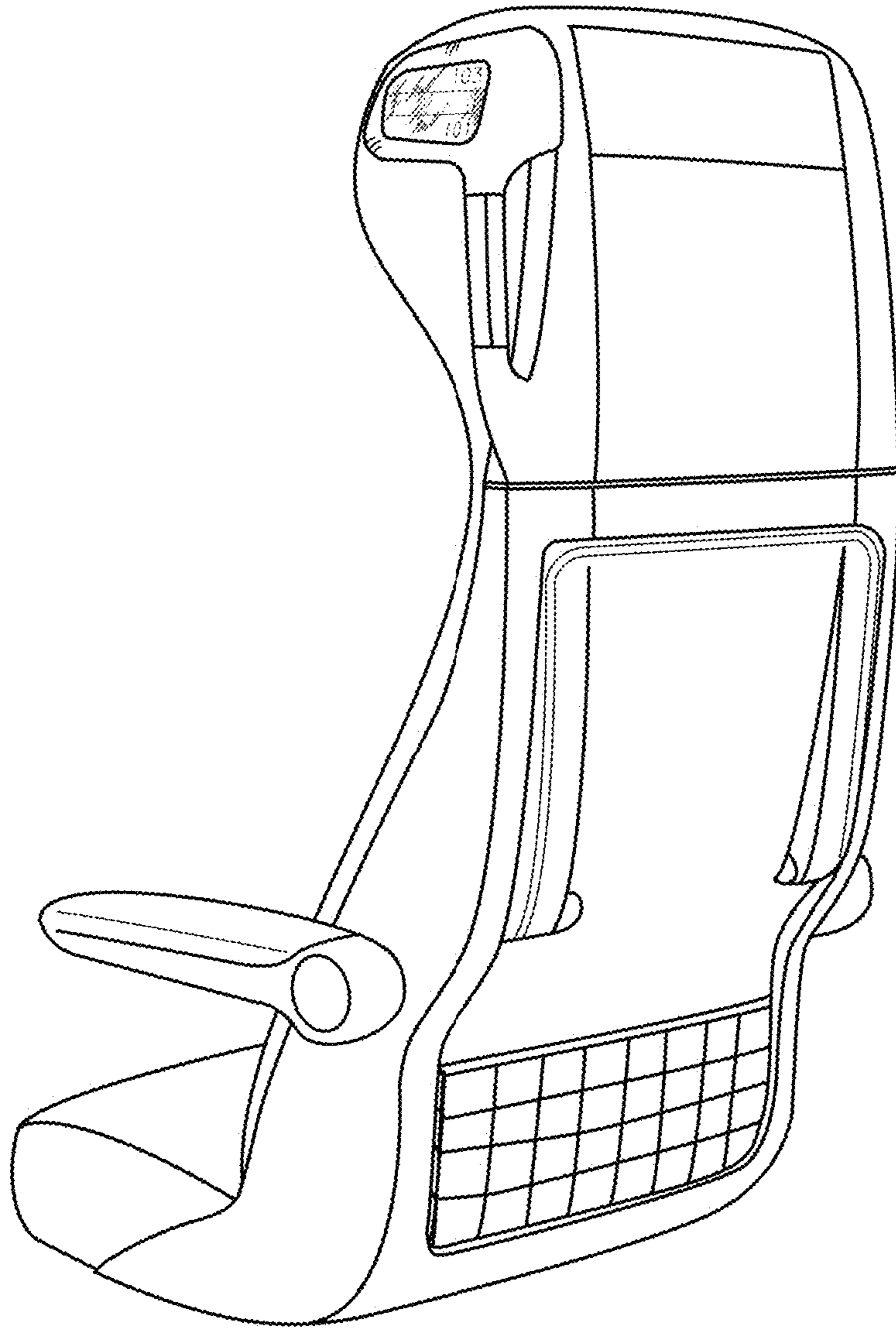


FIG. 7

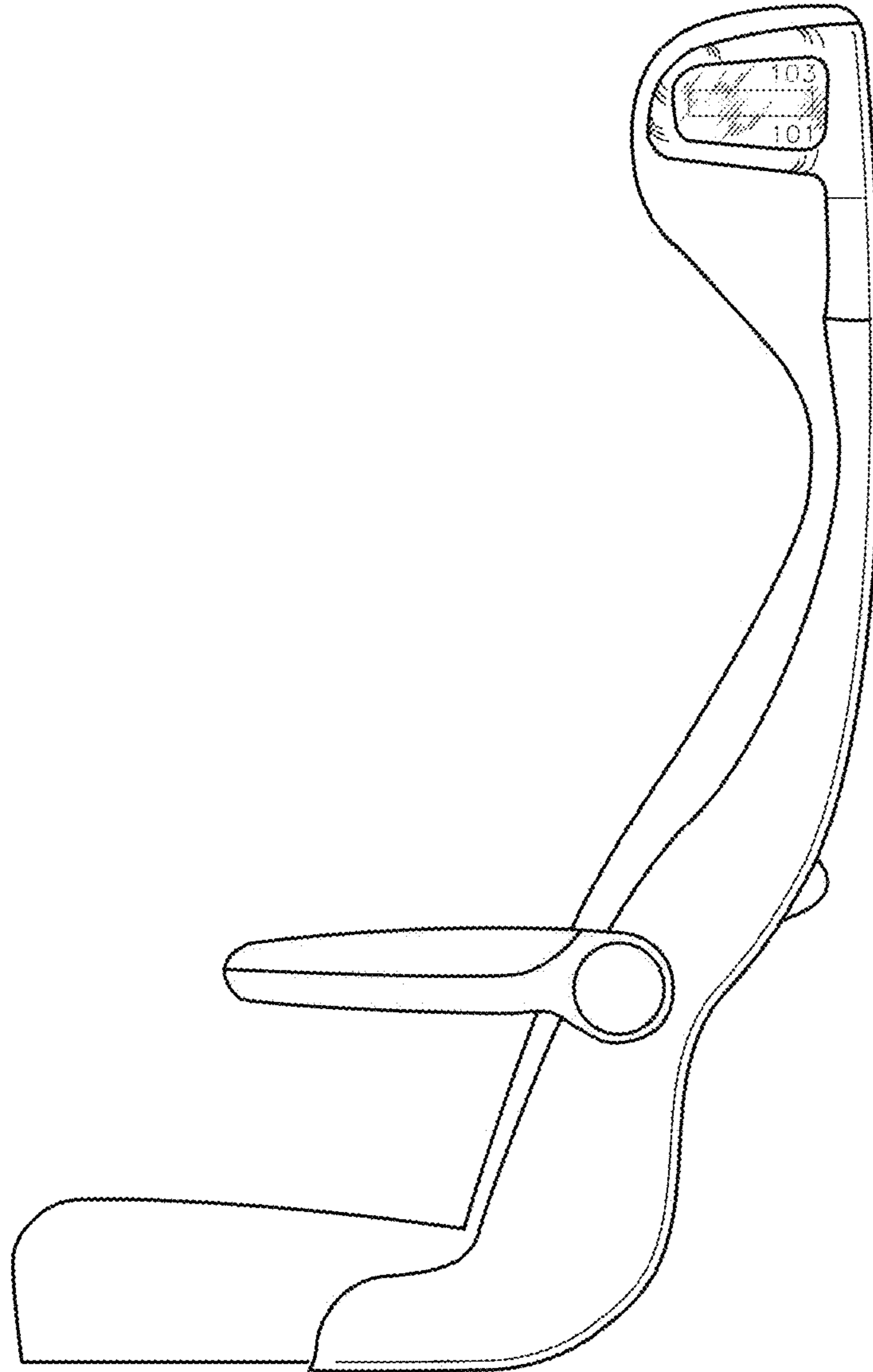


FIG. 8

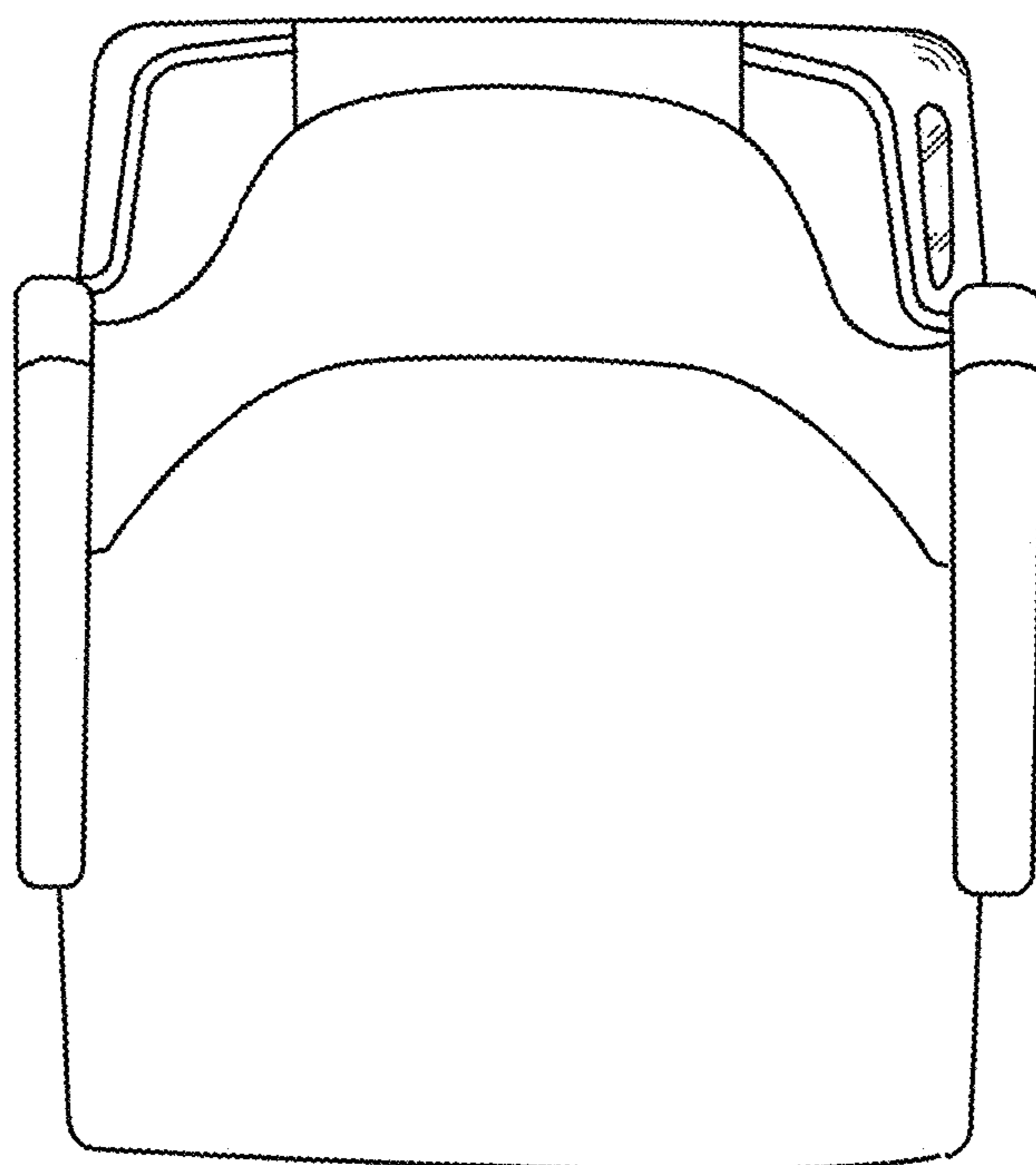


FIG. 9

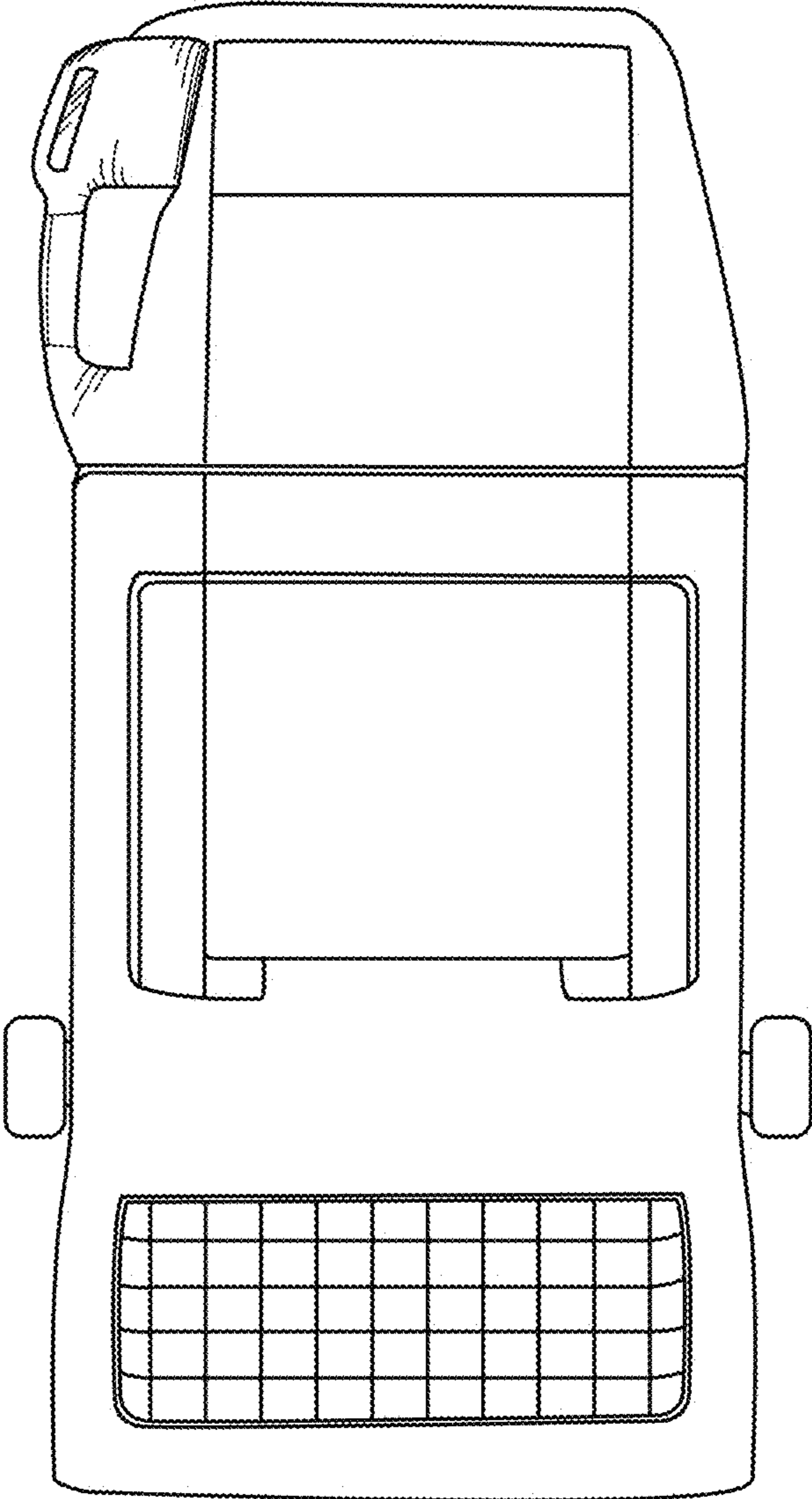


FIG. 10