



US00D725926S

(12) **United States Design Patent**
Baraldi et al.

(10) **Patent No.:** **US D725,926 S**

(45) **Date of Patent:** **** Apr. 7, 2015**

(54) **SEATING ELEMENT**

(71) Applicant: **QubicaAMF Worldwide, LLC**,
Mechanicsville, VA (US)

(72) Inventors: **Massimo Baraldi**, Bologna (IT);
Tommaso Parisi, Bologna (IT); **Michele**
Oca, San Matteo Della Decima (IT)

(73) Assignee: **QubicaAMF Worldwide, LLC**,
Mechanicsville, VA (US)

(**) Term: **14 Years**

(21) Appl. No.: **29/476,155**

(22) Filed: **Dec. 11, 2013**

(51) **LOC (10) Cl.** **06-01**

(52) **U.S. Cl.**
USPC **D6/349**

(58) **Field of Classification Search**

CPC A47C 1/14; A47C 3/16-3/20; A47C 4/00;
A47C 4/28; A47C 5/02; A47C 5/04; A47C
5/043; A47C 7/00-7/006; A47C 7/02; A47C
9/00; A47C 9/02; A47C 9/002; A47C 9/007;
A47C 9/025; A47C 9/10; A47C 11/00;
A47C 12/00; A47C 13/00; A47C 16/02
USPC D6/333, 335, 340, 344, 347, 349-355,
D6/358, 360, 363-365, 381, 596, 601, 685,
D6/687, 688.15, 688.27, 690, 691, 692.3,
D6/708.16, 709, 709.2, 709.22, 711,
D6/716-716.7, 717

See application file for complete search history.

(56) **References Cited**

U.S. PATENT DOCUMENTS

D264,898	S	*	6/1982	Baker et al.	D6/364
D265,529	S	*	7/1982	Mascheroni	D6/352
D389,659	S	*	1/1998	Hummel	D6/349
D421,535	S	*	3/2000	Swensson et al.	D6/486
D552,914	S	*	10/2007	Boutin	D6/601
D627,982	S	*	11/2010	Shen	D6/349
D648,945	S	*	11/2011	Joly	D6/349
D650,599	S	*	12/2011	Joly	D6/349
D706,045	S	*	6/2014	Cohen	D6/349

OTHER PUBLICATIONS

Harmony brochure. [online] Retrieved Dec. 18, 2014 from URL:
<<http://www.qubicaamf.com/QubicaAMF/files/67/6799613f-1c92-481f-a6e3-2cfa0ddb01f6.pdf>>.*

* cited by examiner

Primary Examiner — Susan Bennett Hattan

Assistant Examiner — Vy Koenig

(74) *Attorney, Agent, or Firm* — Andrew M. Calderon;
Roberts Mlotkowski Safran & Cole, P.C.

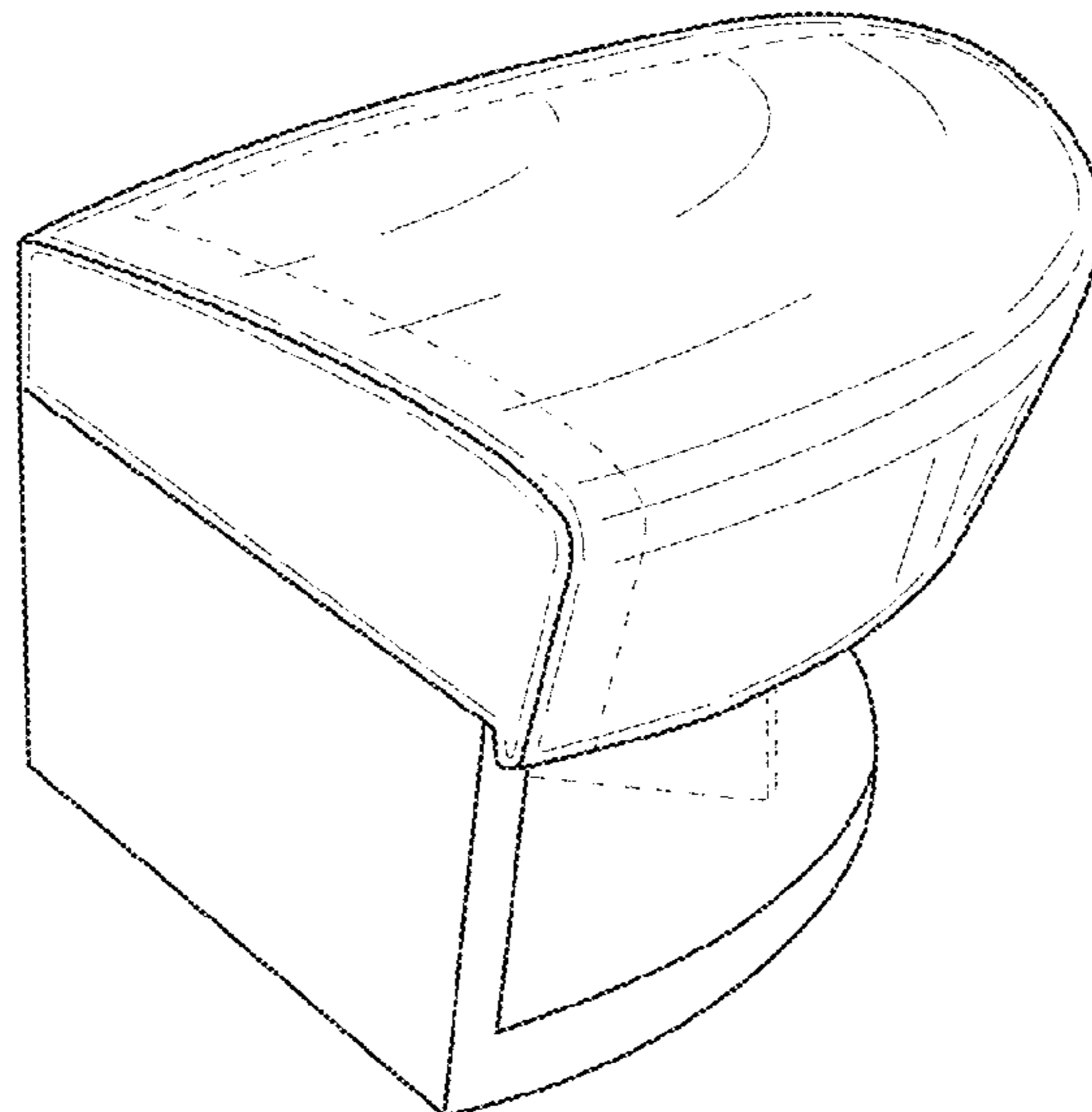
(57) **CLAIM**

We claim the ornamental design for a seating element, as shown and described.

DESCRIPTION

FIG. 1 is front view of a seating element;
FIG. 2 is rear view of the seating element;
FIG. 3 is a right side view of the seating element; the left side view is a mirror image of the right;
FIG. 4 is a top view of the seating element;
FIG. 5 is a bottom view of the seating element; and,
FIG. 6 is a perspective view of the seating element.
The broken lines in the drawings depict portions of the article that form no part of the claimed design.

1 Claim, 6 Drawing Sheets



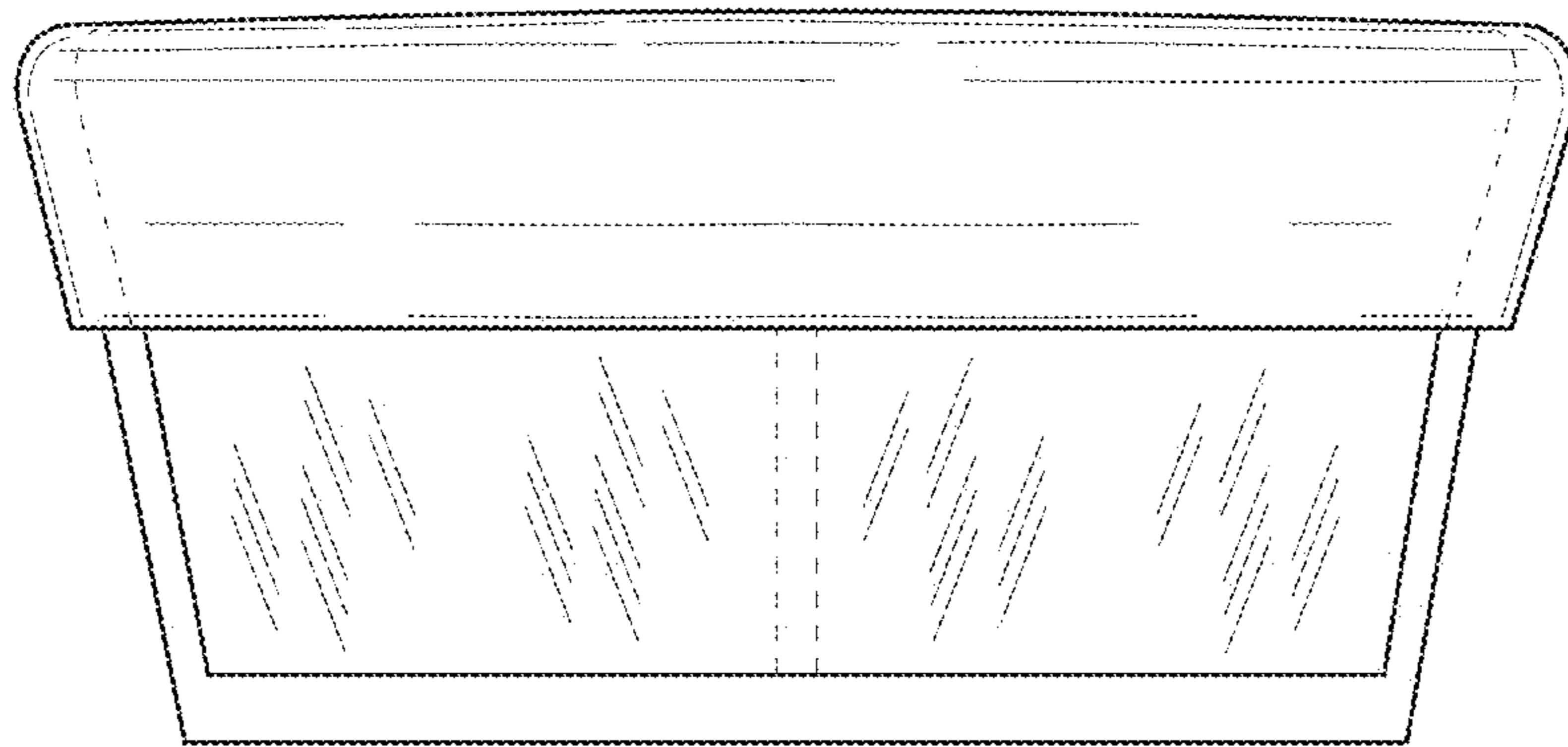


FIG. 1

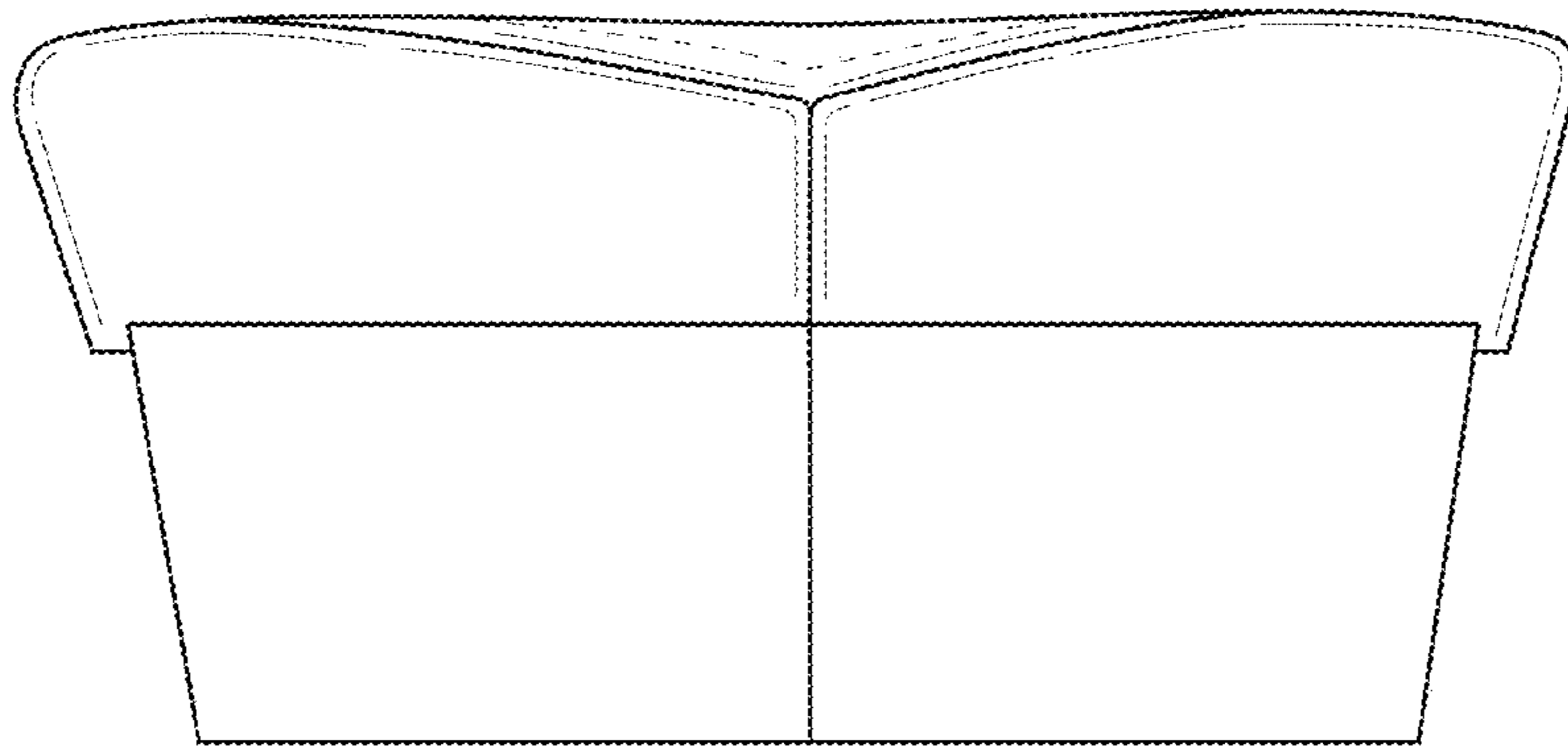


FIG. 2

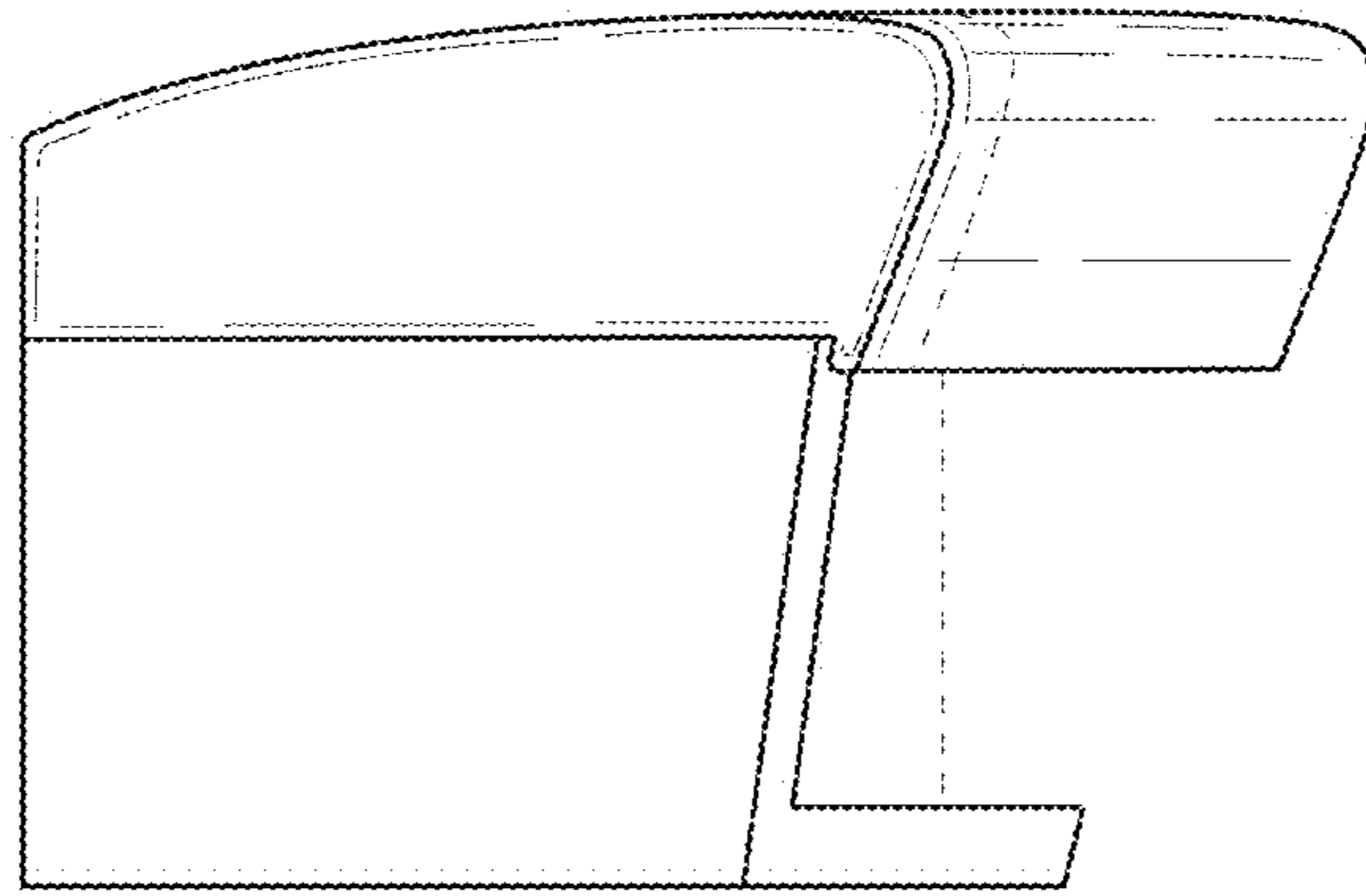


FIG. 3

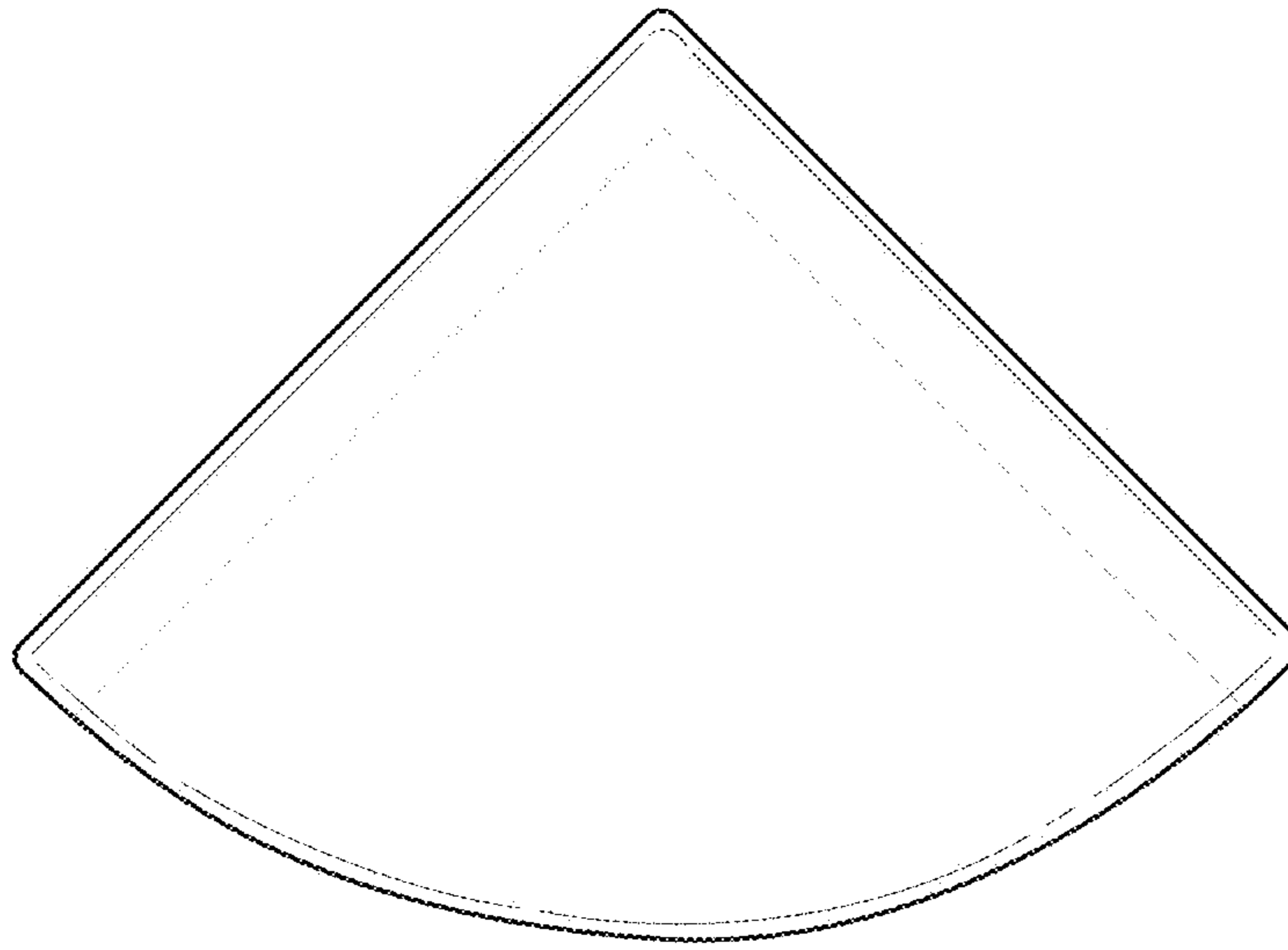


FIG. 4

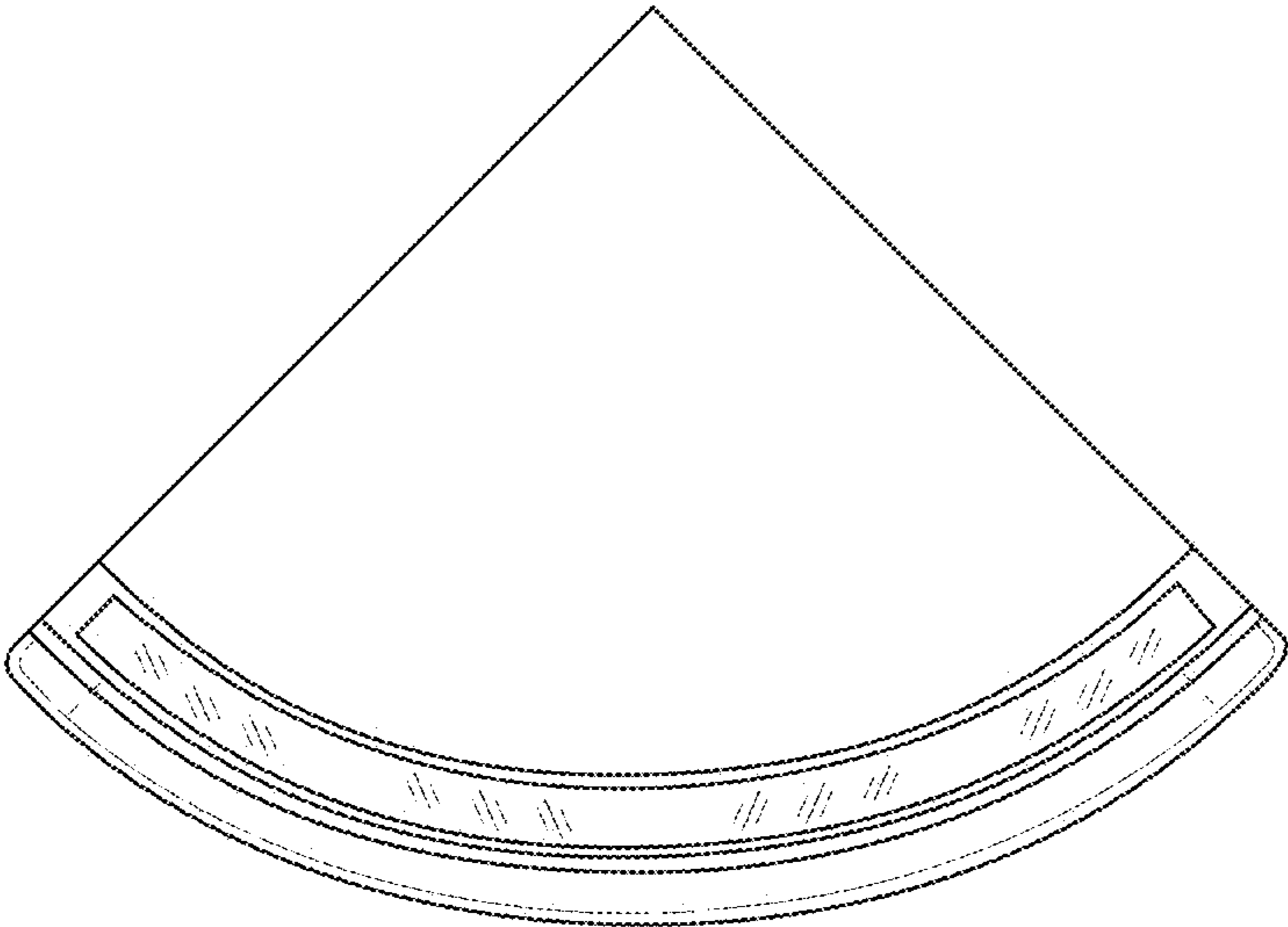


FIG. 5

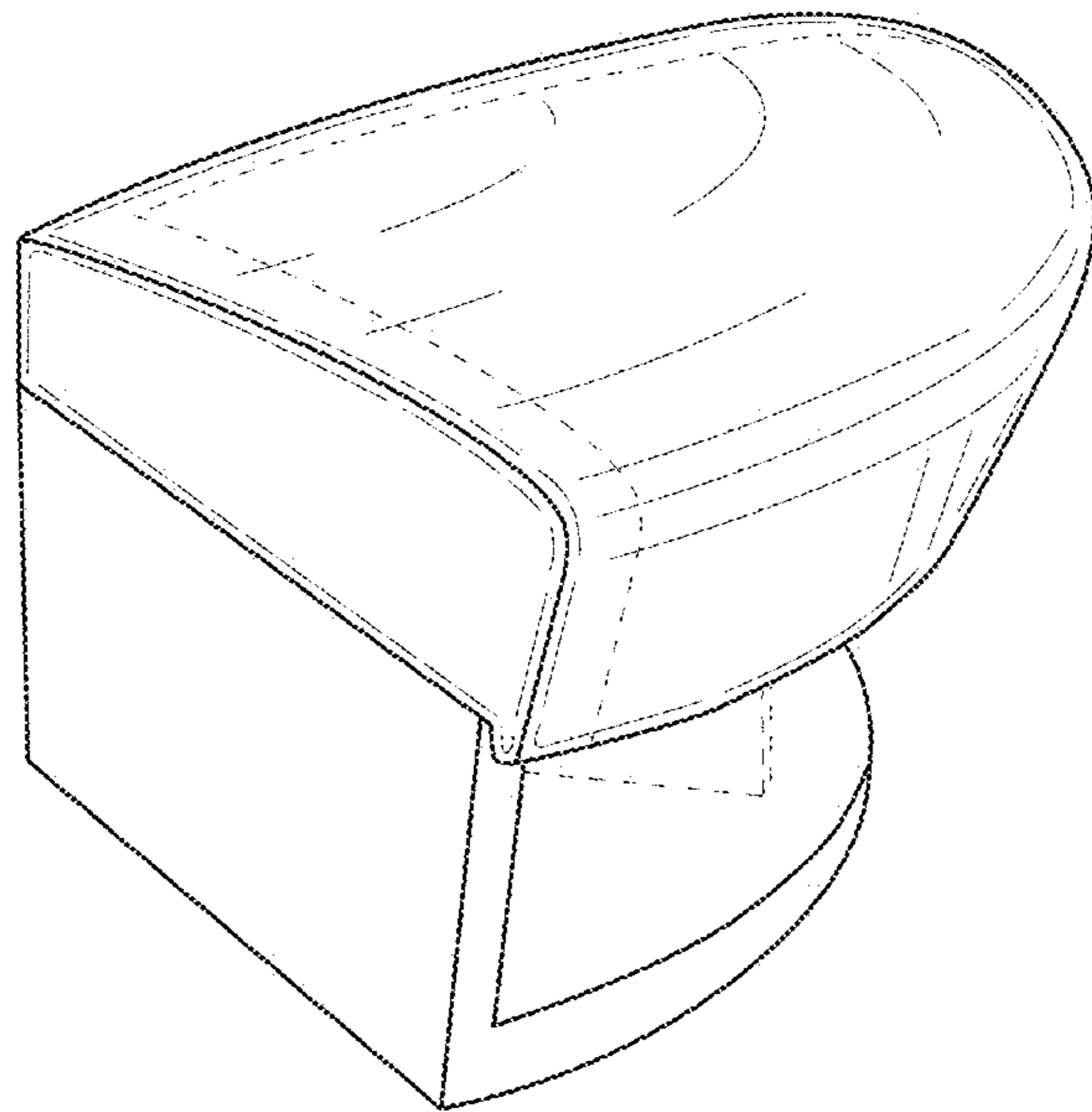


FIG. 6