

US00D725925S

(12) **United States Design Patent**  
**Kaye**

(10) **Patent No.:** **US D725,925 S**  
(45) **Date of Patent:** **\*\* Apr. 7, 2015**

- (54) **CORNER MOUNT FOOT REST**
- (71) Applicant: **Mel Kaye**, Thousand Oaks, CA (US)
- (72) Inventor: **Mel Kaye**, Thousand Oaks, CA (US)
- (\*\*) Term: **14 Years**
- (21) Appl. No.: **29/470,780**
- (22) Filed: **Oct. 24, 2013**
- (51) **LOC (10) Cl.** ..... **06-01**
- (52) **U.S. Cl.**  
USPC ..... **D6/349**
- (58) **Field of Classification Search**  
CPC ..... A47C 1/14; A47C 3/16-3/20; A47C 4/00;  
A47C 4/28; A47C 5/02; A47C 5/04; A47C  
5/043; A47C 7/00-7/006; A47C 7/02; A47C  
9/00; A47C 9/02; A47C 9/002; A47C 9/007;  
A47C 9/025; A47C 9/10; A47C 11/00;  
A47C 12/00; A47C 13/00; A47C 16/02  
USPC ..... D6/335, 340, 344, 347, 349-355, 358,  
D6/360, 363-365, 381, 596, 601, 685, 687,  
D6/688.15, 688.27, 690, 691, 692.3,  
D6/708.16, 709, 709.2, 709.22, 711,  
D6/716-716.7, 717; D8/402, 403  
See application file for complete search history.

D330,978 S *	11/1992	Vasquez .....	D6/349
D397,270 S *	8/1998	Maalouf .....	D6/601
D471,050 S *	3/2003	Haubner .....	D6/601
D516,346 S *	3/2006	Cobb .....	D6/502
D596,415 S *	7/2009	Wold .....	D6/349
D634,951 S *	3/2011	Dreiling .....	D6/502
D674,644 S *	1/2013	Stewart .....	D6/601
D697,739 S *	1/2014	Nabeta .....	D6/601
D713,664 S *	9/2014	Vetter et al. ....	D6/716
2007/0001503 A1 *	1/2007	Brady .....	297/423.4

\* cited by examiner

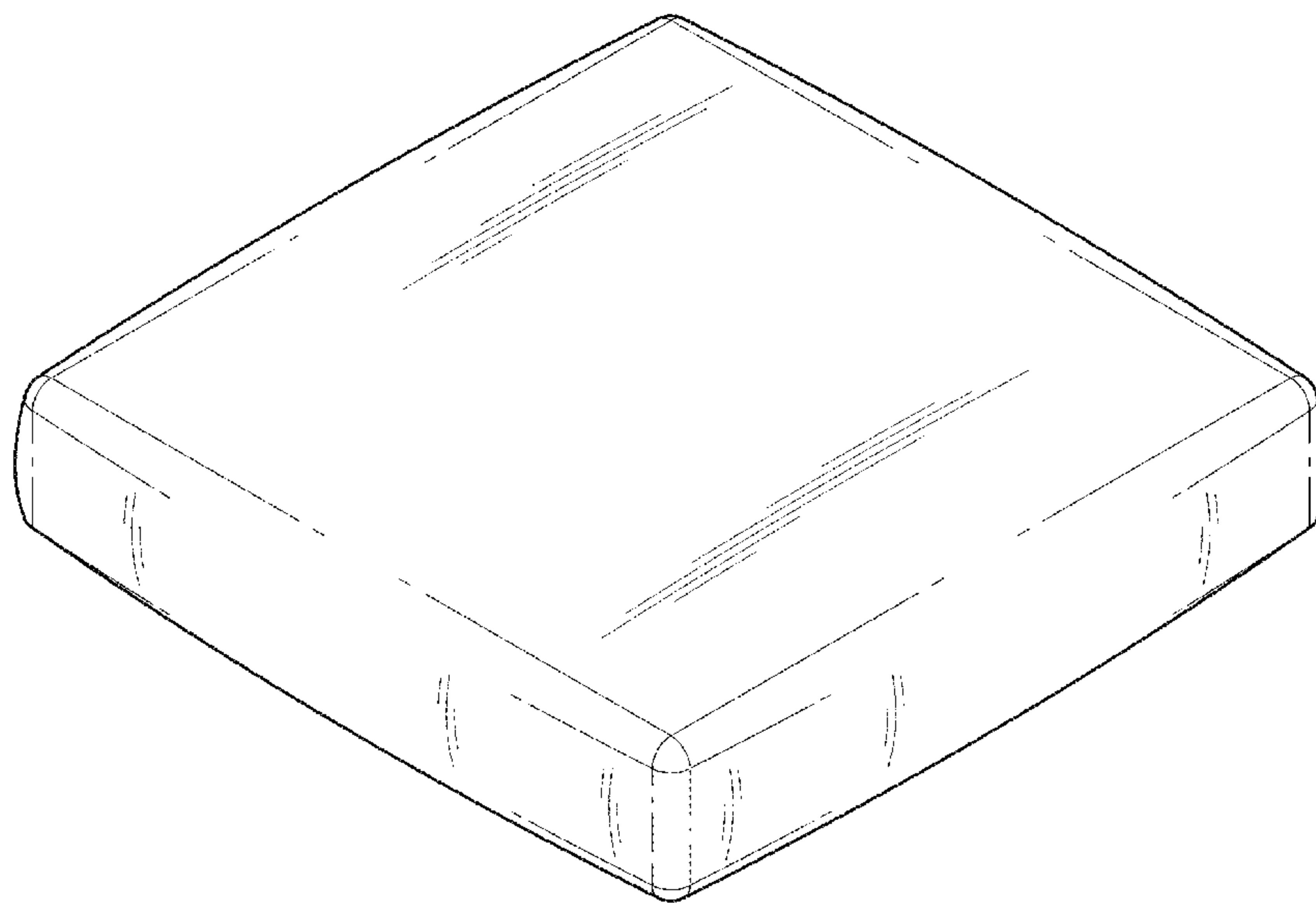
*Primary Examiner* — Sheryl Lane  
*Assistant Examiner* — Vy Koenig  
(74) *Attorney, Agent, or Firm* — Lawrence S. Cohen

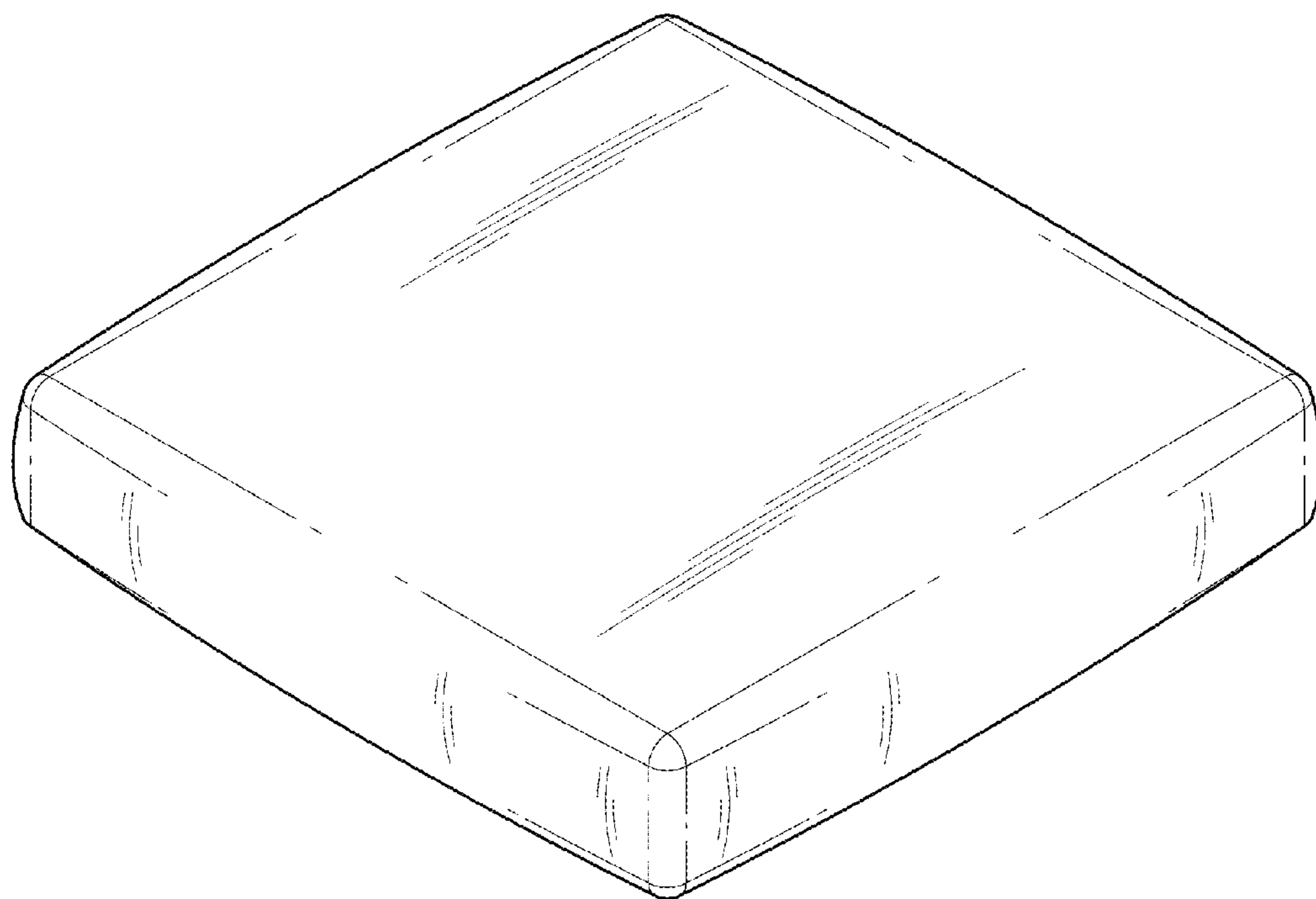
- (56) **References Cited**  
U.S. PATENT DOCUMENTS  
D214,302 S \* 6/1969 Barber ..... D6/601  
D215,712 S \* 10/1969 Duckett et al. .... D6/502

(57) **CLAIM**  
The ornamental design for a corner mount foot rest, as shown and described.

**DESCRIPTION**  
FIG. 1 is a top perspective view of the foot rest;  
FIG. 2 is a right side view thereof;  
FIG. 3 is a left side view thereof;  
FIG. 4 is front view thereof;  
FIG. 5 is a rear view thereof;  
FIG. 6 is a top view thereof; and,  
FIG. 7 is a bottom view thereof.  
The broken lines shown in the drawings depict an environmental feature, specifically a bottom pad, that forms no part of the claimed design.

**1 Claim, 6 Drawing Sheets**





*FIG. 1*

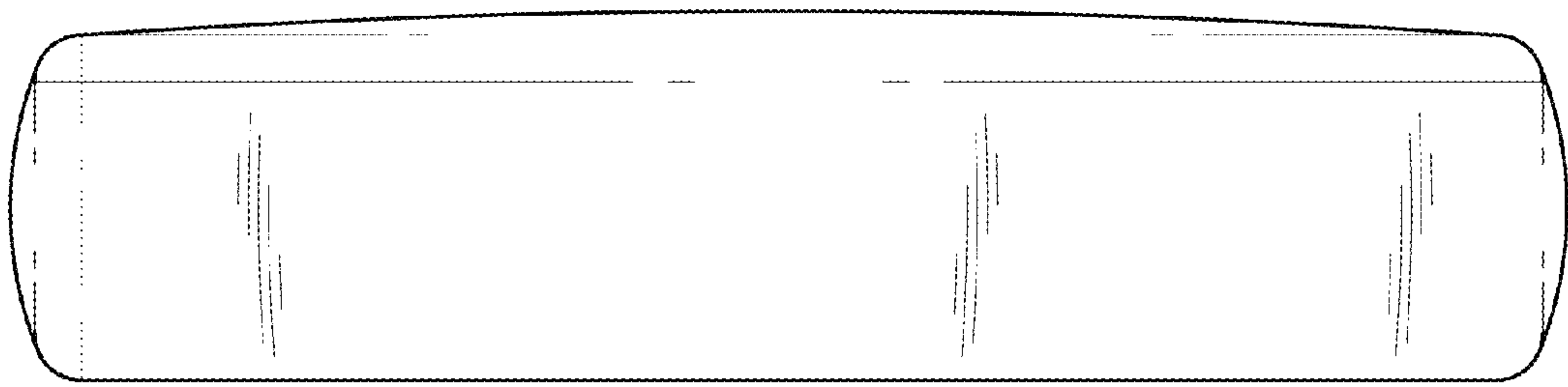


FIG. 2

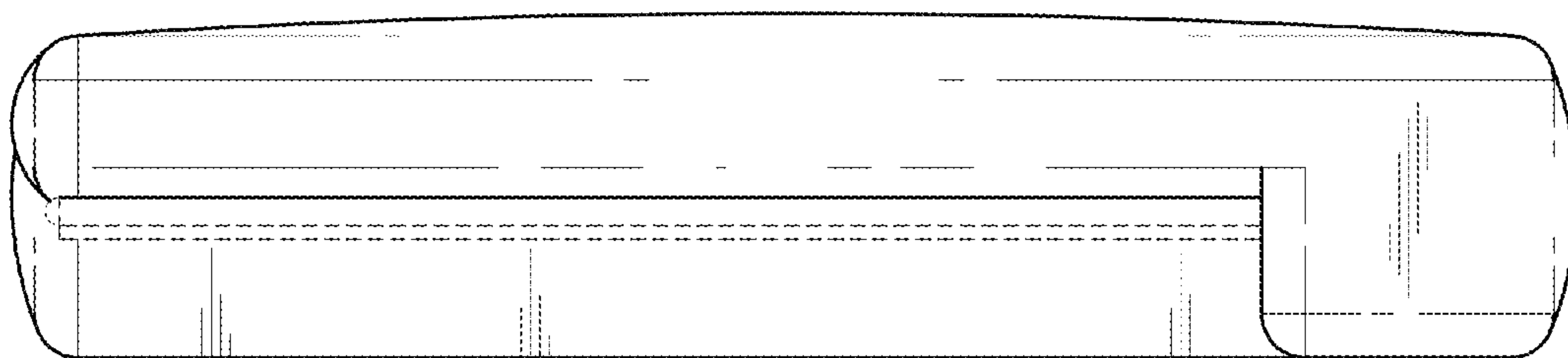


FIG. 3

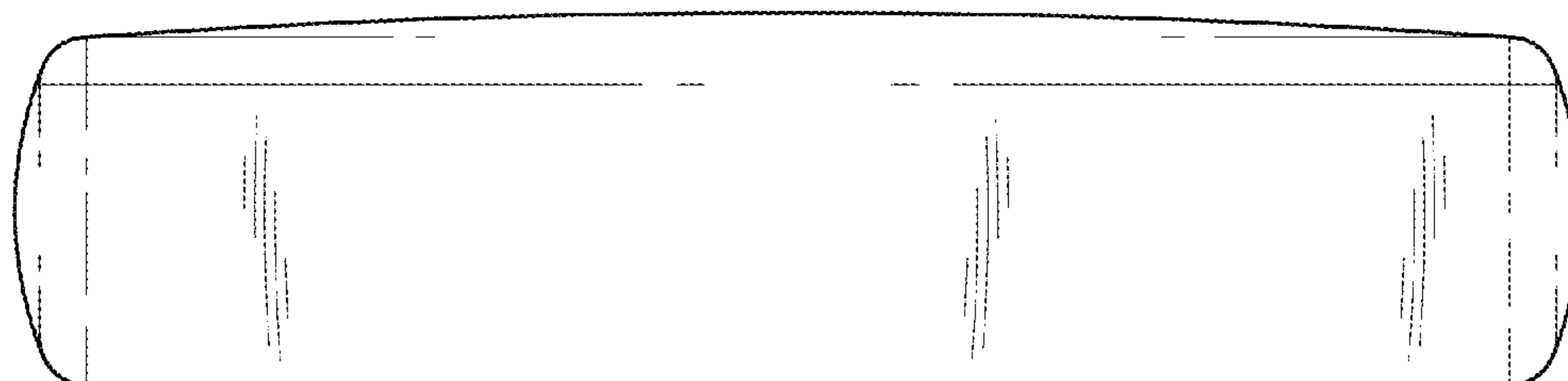
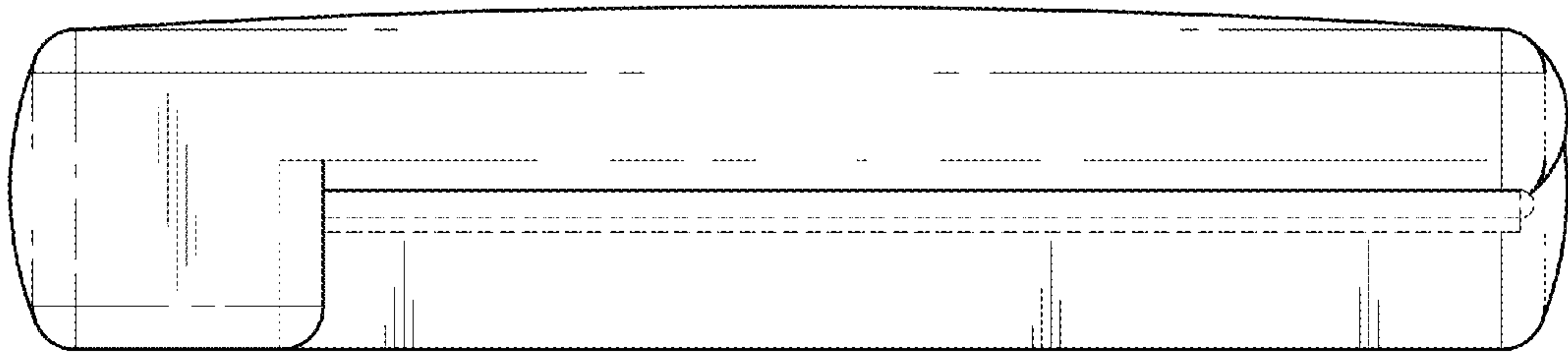


FIG. 4



*FIG. 5*

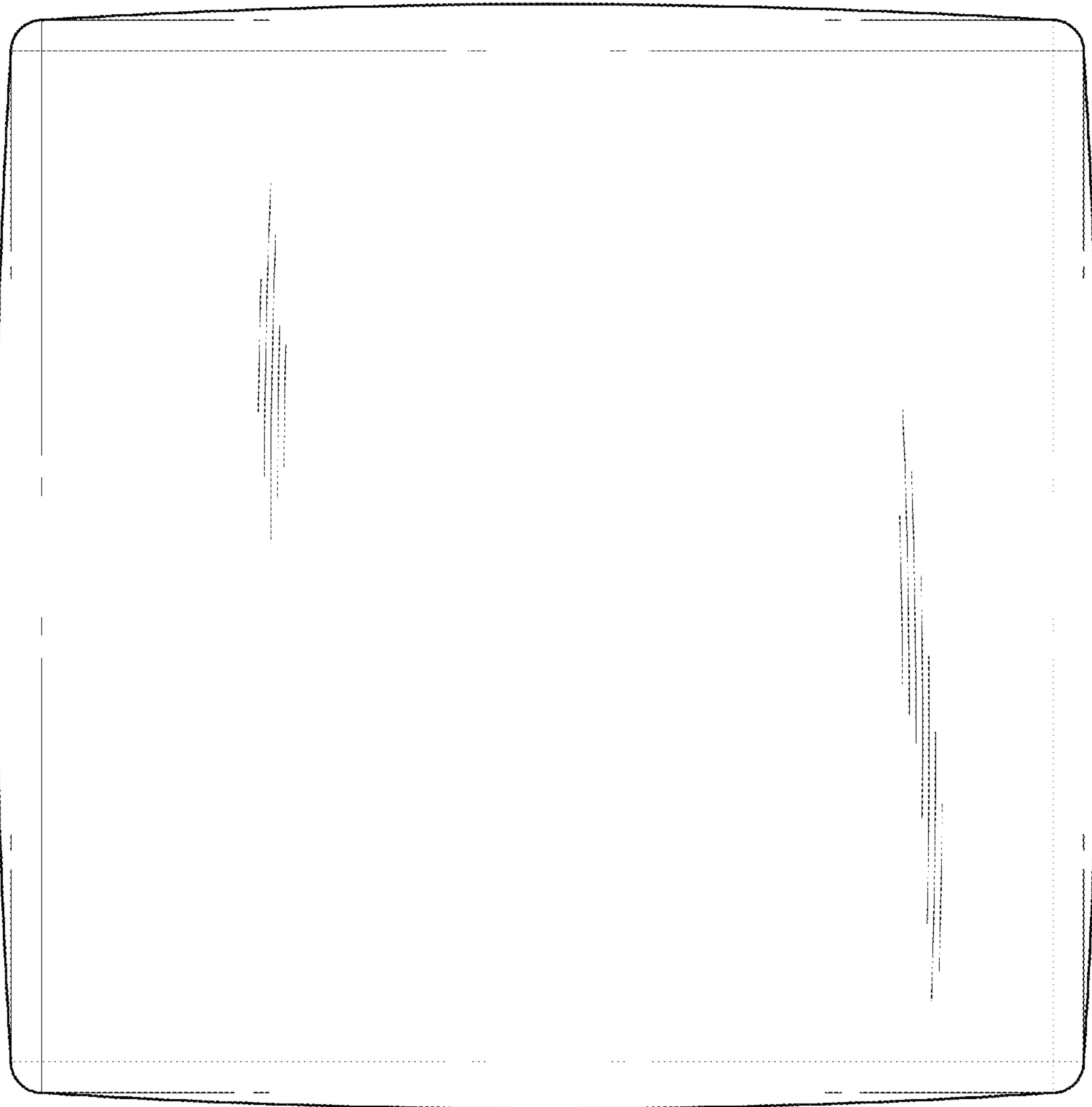


FIG. 6

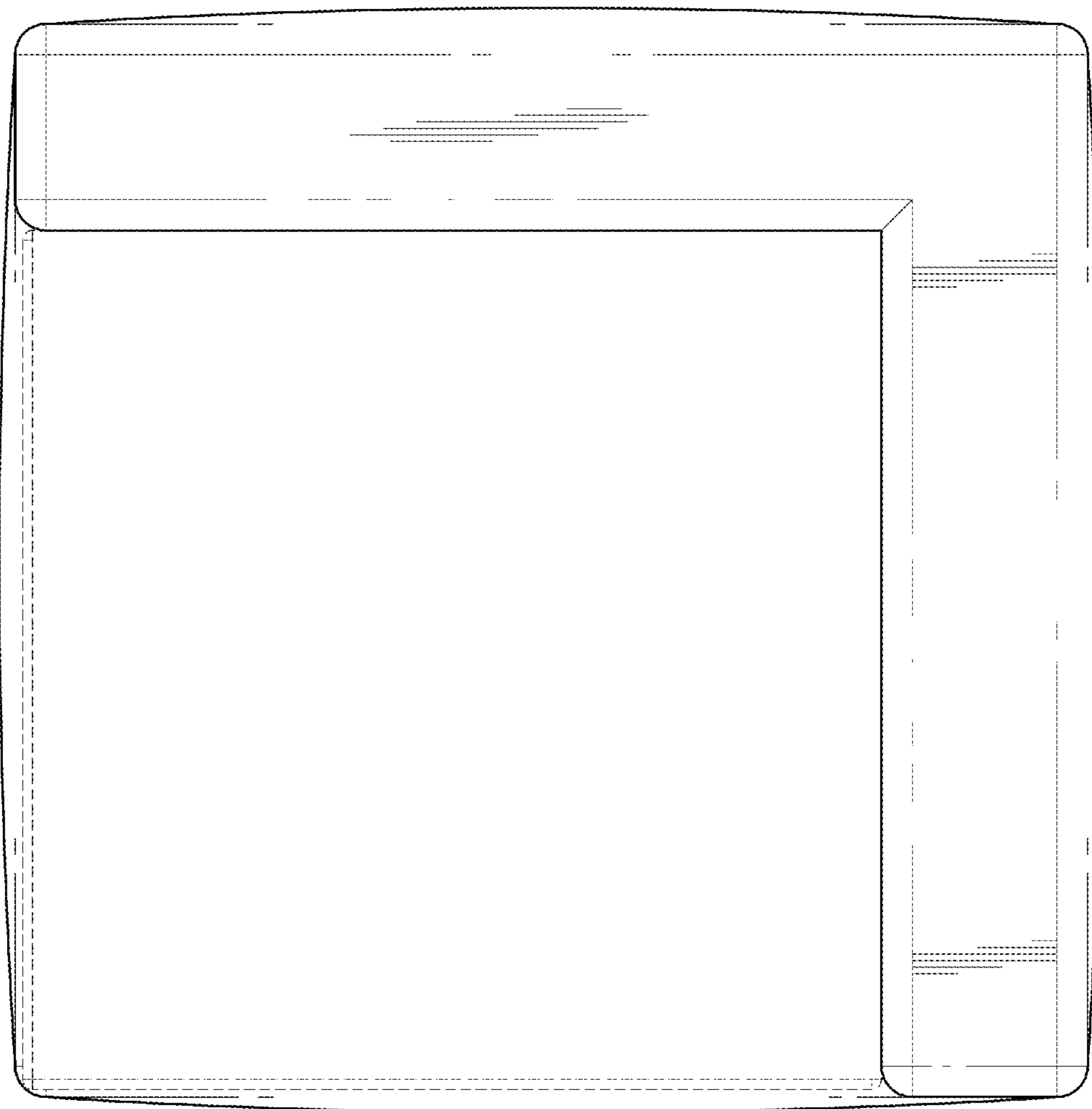


FIG. 7