



US00D725924S

(12) **United States Design Patent**
Kaye

(10) **Patent No.:** **US D725,924 S**
(45) **Date of Patent:** **** Apr. 7, 2015**

- (54) **EDGE MOUNT FOOT REST**
- (71) Applicant: **Mel Kaye**, Thousand Oaks, CA (US)
- (72) Inventor: **Mel Kaye**, Thousand Oaks, CA (US)
- (**) Term: **14 Years**
- (21) Appl. No.: **29/470,779**
- (22) Filed: **Oct. 24, 2013**
- (51) **LOC (10) Cl.** **06-01**
- (52) **U.S. Cl.**
USPC **D6/349**
- (58) **Field of Classification Search**
CPC A47C 1/14; A47C 3/16-3/20; A47C 4/00;
A47C 4/28; A47C 5/02; A47C 5/04; A47C
5/043; A47C 7/00-7/006; A47C 7/02; A47C
9/00; A47C 9/02; A47C 9/002; A47C 9/007;
A47C 9/025; A47C 9/10; A47C 11/00;
A47C 12/00; A47C 13/00; A47C 16/02
USPC D6/335, 340, 344, 347, 349-355, 358,
D6/360, 363-365, 381, 596, 601, 685, 687,
D6/688.15, 688.27, 690, 691, 692.3,
D6/708.16, 709, 709.2, 709.22, 711,
D6/716-716.7, 717; D8/402, 403
See application file for complete search history.

D397,270 S *	8/1998	Maalouf	D6/601
D471,050 S *	3/2003	Haubner	D6/601
D516,346 S *	3/2006	Cobb	D6/502
D601,844 S *	10/2009	Miller	D6/611
D674,644 S *	1/2013	Stewart	D6/601
D697,739 S *	1/2014	Nabeta	D6/601
D701,391 S *	3/2014	Hoell et al.	D6/349
D702,979 S *	4/2014	Jannetides et al.	D6/716.1
2007/0001503 A1 *	1/2007	Brady	297/423.4

* cited by examiner

Primary Examiner — Sheryl Lane

Assistant Examiner — Vy Koenig

(74) *Attorney, Agent, or Firm* — Lawrence S. Cohen

(56) **References Cited**
U.S. PATENT DOCUMENTS

D330,978 S *	11/1992	Vasquez	D6/349
D337,017 S *	7/1993	Levien	D6/601

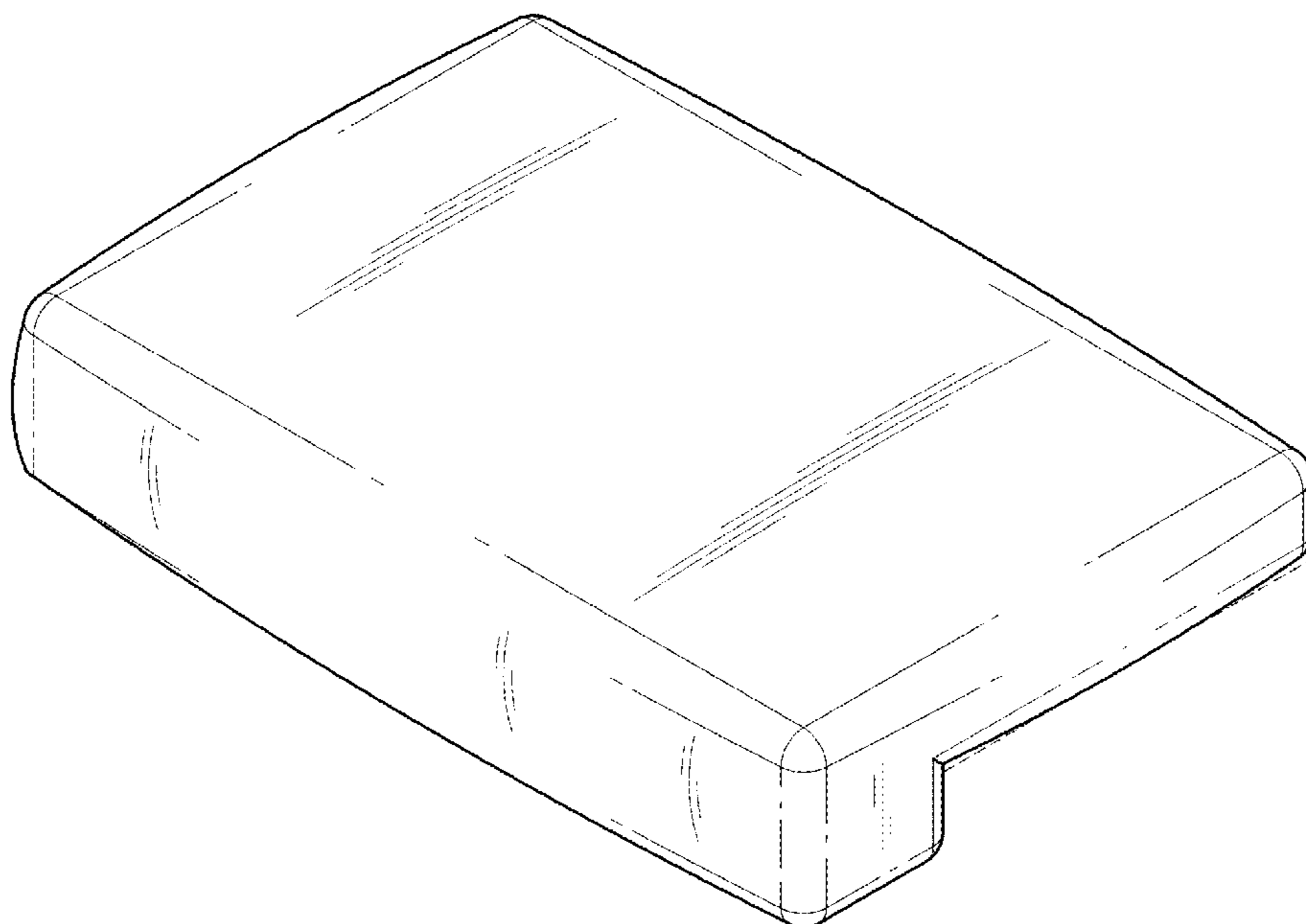
(57) **CLAIM**

The ornamental design for an edge mount foot rest, as shown and described.

DESCRIPTION

FIG. 1 is a top perspective view of the foot rest;
 FIG. 2 is a right side view thereof, the left side view being a mirror image of the right side view;
 FIG. 3 is a front view thereof;
 FIG. 4 is rear view thereof;
 FIG. 5 is a top view thereof; and,
 FIG. 6 is a bottom view thereof.
 The broken lines shown in the drawings depict an environmental feature, specifically a bottom pad, and forms no part of the claimed design.

1 Claim, 5 Drawing Sheets



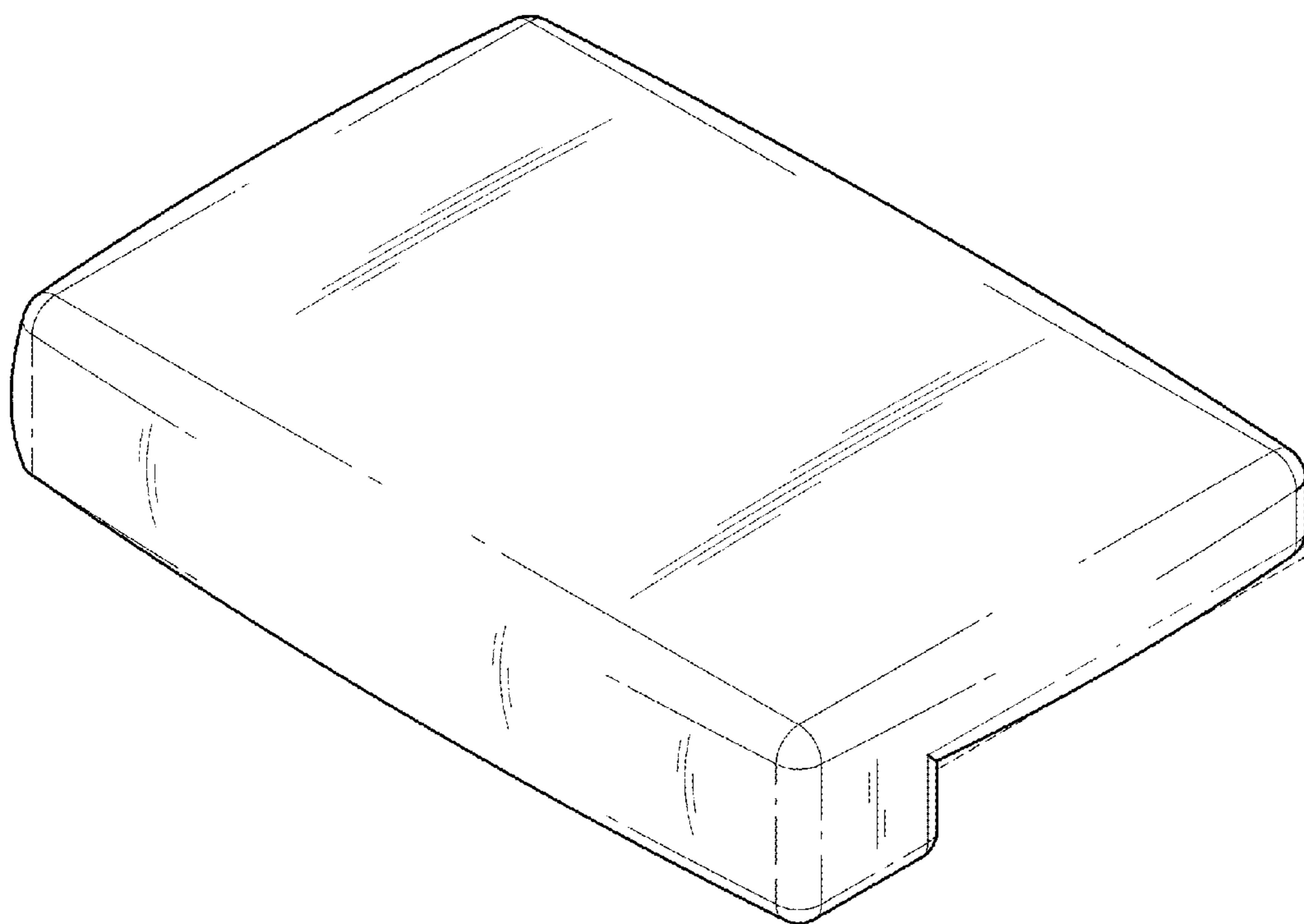


FIG. 1

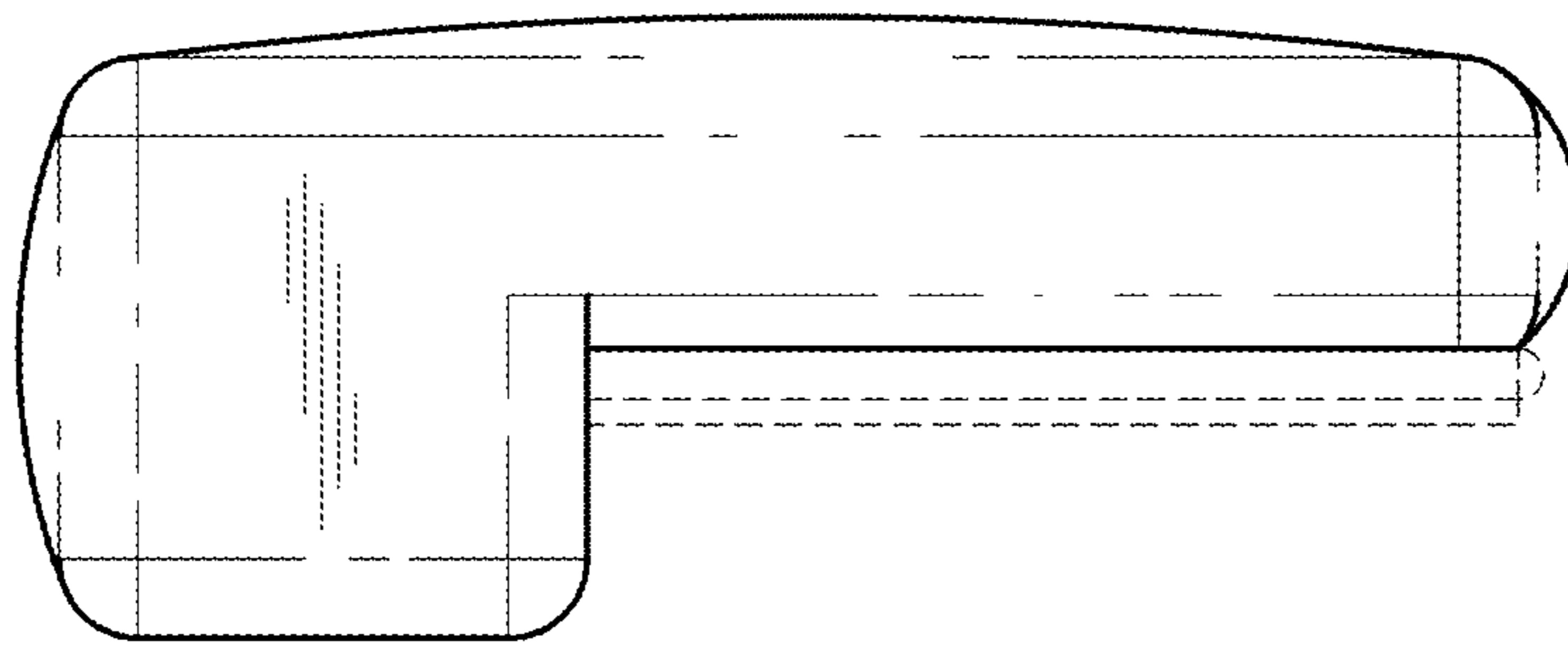


FIG. 2

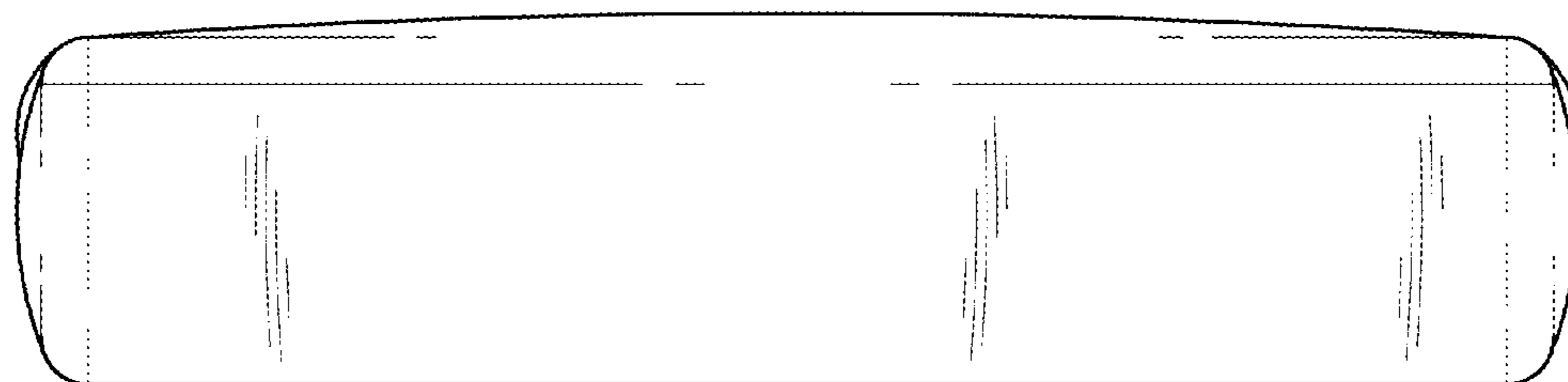


FIG. 3

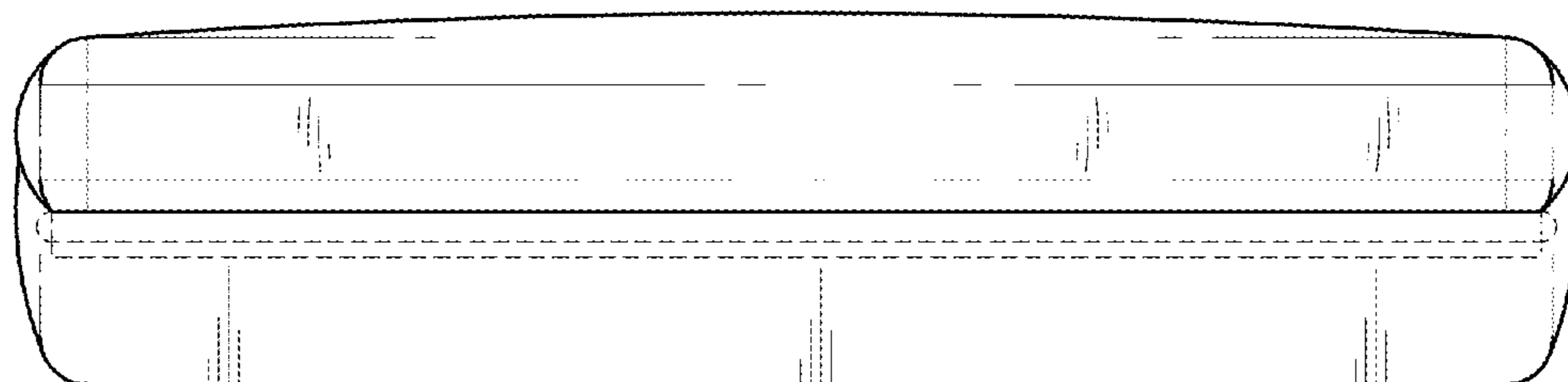


FIG. 4

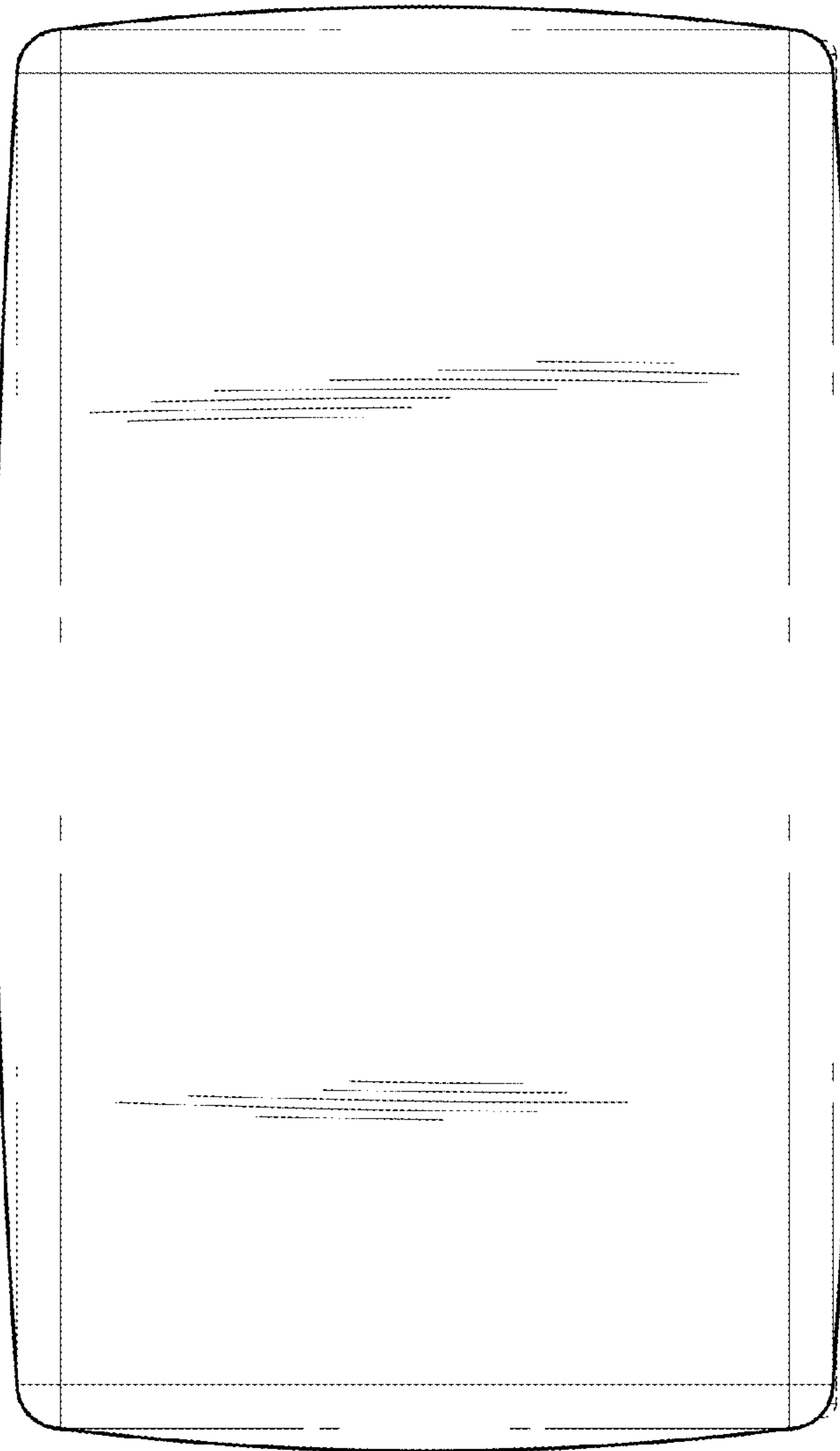


FIG. 5

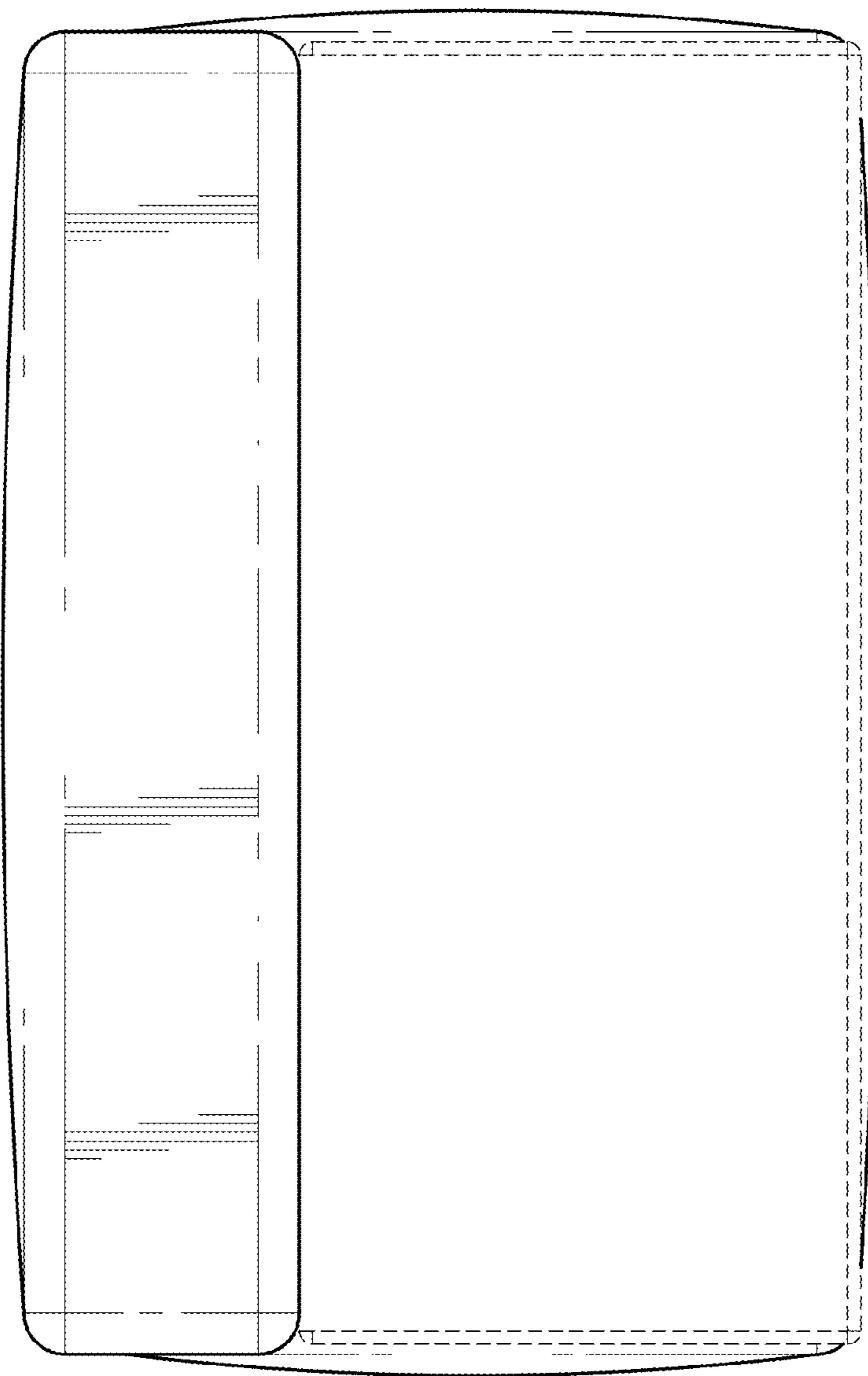


FIG. 6