

US00D725923S

(12) **United States Design Patent**
Kaye

(10) **Patent No.:** **US D725,923 S**

(45) **Date of Patent:** **** Apr. 7, 2015**

(54) **EDGE MOUNT FOOT REST**

(71) Applicant: **Mel Kaye**, Thousand Oaks, CA (US)

(72) Inventor: **Mel Kaye**, Thousand Oaks, CA (US)

(**) Term: **14 Years**

(21) Appl. No.: **29/470,778**

(22) Filed: **Oct. 24, 2013**

(51) **LOC (10) Cl.** **06-01**

(52) **U.S. Cl.**
USPC **D6/349**

(58) **Field of Classification Search**

CPC A47C 1/14; A47C 3/16-3/20; A47C 4/00;
A47C 4/28; A47C 5/02; A47C 5/04; A47C
5/043; A47C 7/00-7/006; A47C 7/02; A47C
9/00; A47C 9/02; A47C 9/002; A47C 9/007;
A47C 9/025; A47C 9/10; A47C 11/00;
A47C 12/00; A47C 13/00; A47C 16/02

USPC D6/335, 340, 344, 347, 349-355, 358,
D6/360, 363-365, 381, 596, 601, 685, 687,
D6/688.15, 688.27, 690, 691, 692.3,
D6/708.16, 709, 709.2, 709.22, 711,
D6/716-716.7, 717; D8/402, 403

See application file for complete search history.

(56) **References Cited**

U.S. PATENT DOCUMENTS

D330,978 S * 11/1992 Vasquez D6/349
D397,270 S * 8/1998 Maalouf D6/601

D471,050 S * 3/2003 Haubner D6/601
D516,346 S * 3/2006 Cobb D6/502
D596,415 S * 7/2009 Wold D6/349
D601,844 S * 10/2009 Miller D6/611
D634,951 S * 3/2011 Dreiling D6/502
D674,644 S * 1/2013 Stewart D6/601
D697,739 S * 1/2014 Nabeta D6/601
D701,391 S * 3/2014 Hoell et al. D6/349
D713,664 S * 9/2014 Vetter et al. D6/716
2007/0001503 A1 * 1/2007 Brady 297/423.4

* cited by examiner

Primary Examiner — Sheryl Lane

Assistant Examiner — Vy Koenig

(74) *Attorney, Agent, or Firm* — Lawrence S. Cohen

(57) **CLAIM**

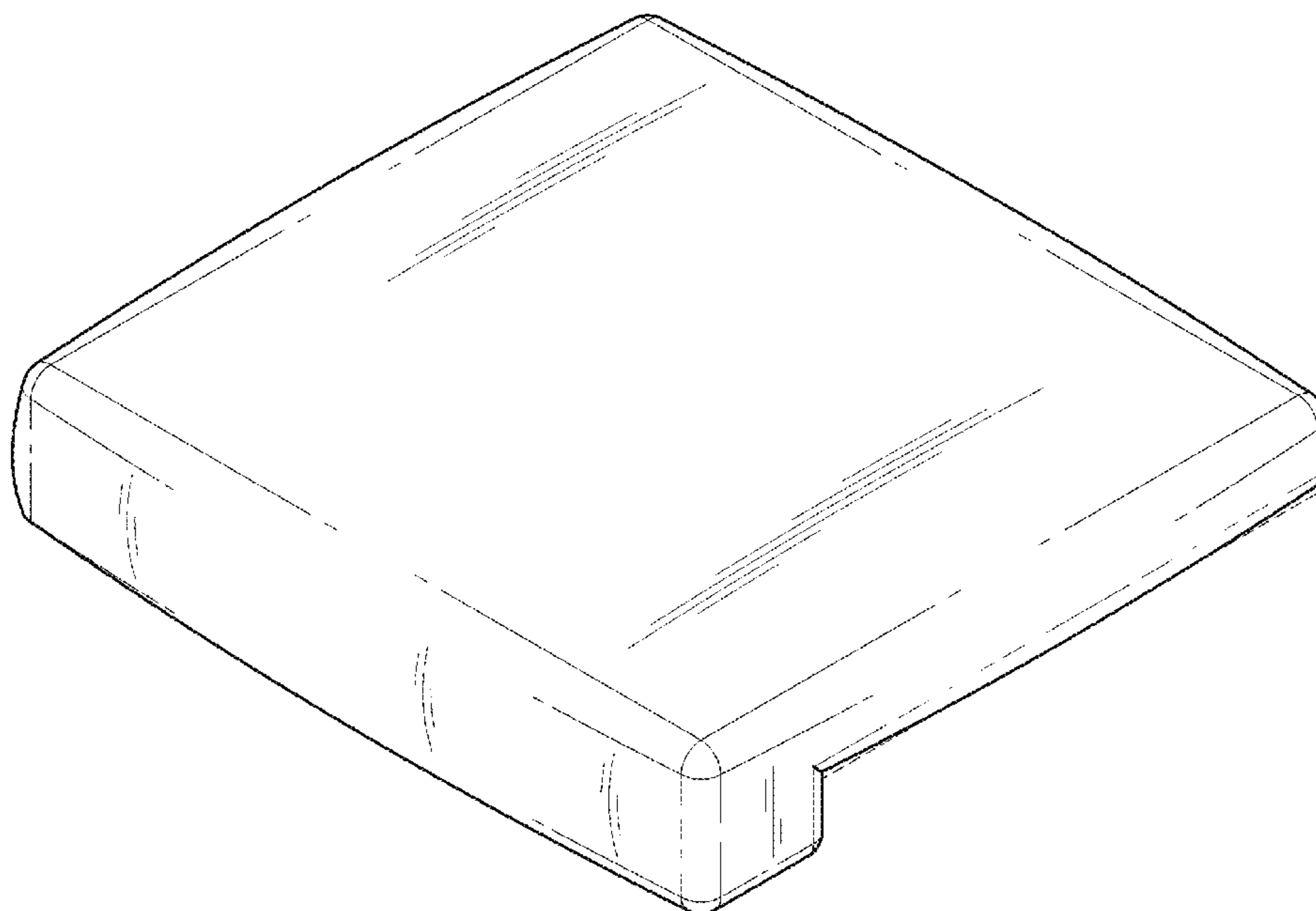
The ornamental design for an edge mount foot rest, as shown and described.

DESCRIPTION

FIG. 1 is a top perspective view of the foot rest;
FIG. 2 is a right side view thereof, the left side view being a mirror image of the right side view;
FIG. 3 is a front view thereof;
FIG. 4 is rear view thereof;
FIG. 5 is a top view thereof; and,
FIG. 6 is a bottom view thereof.

The broken lines shown in the drawings depict an environmental feature, specifically a bottom pad, and forms no part of the claimed design.

1 Claim, 5 Drawing Sheets



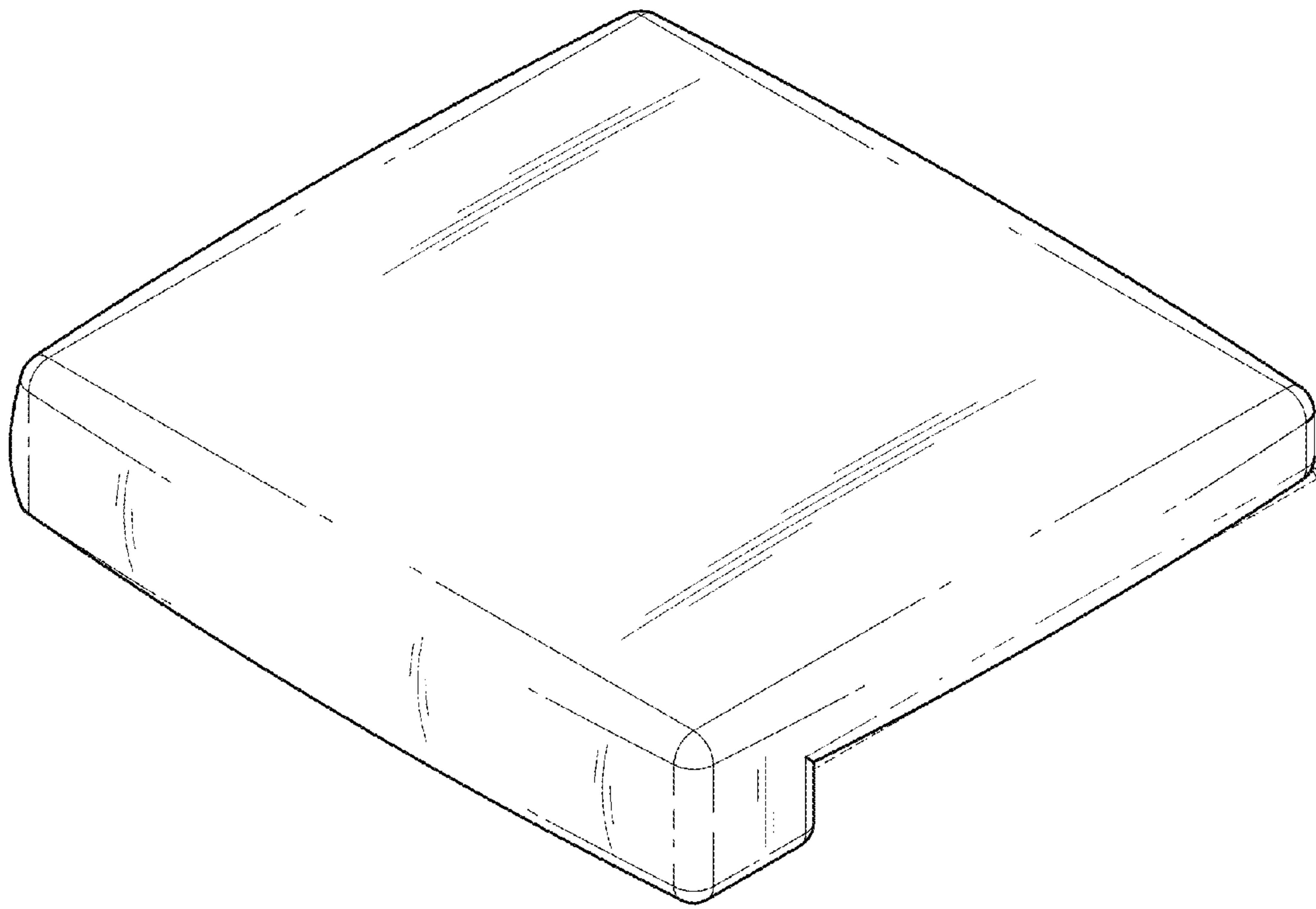


FIG. 1

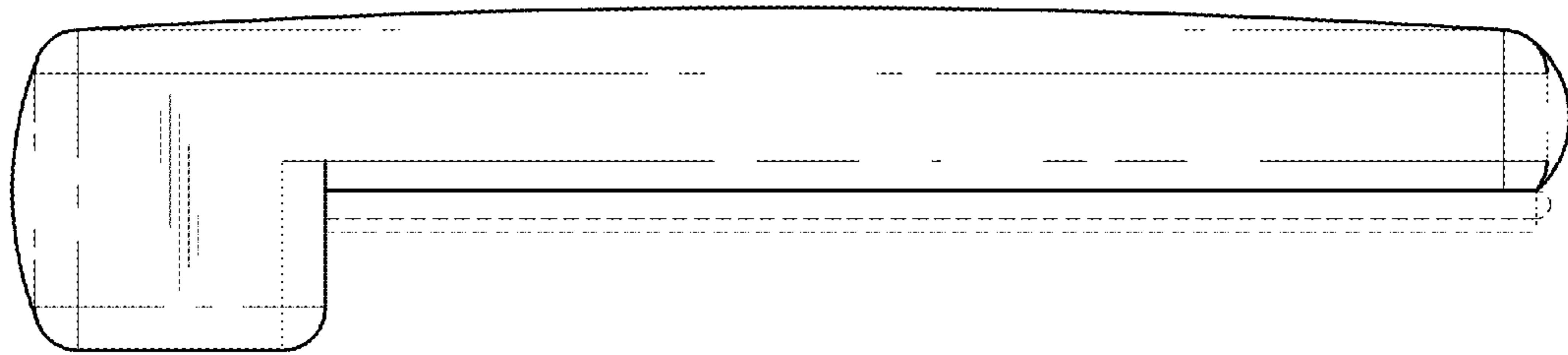


FIG. 2

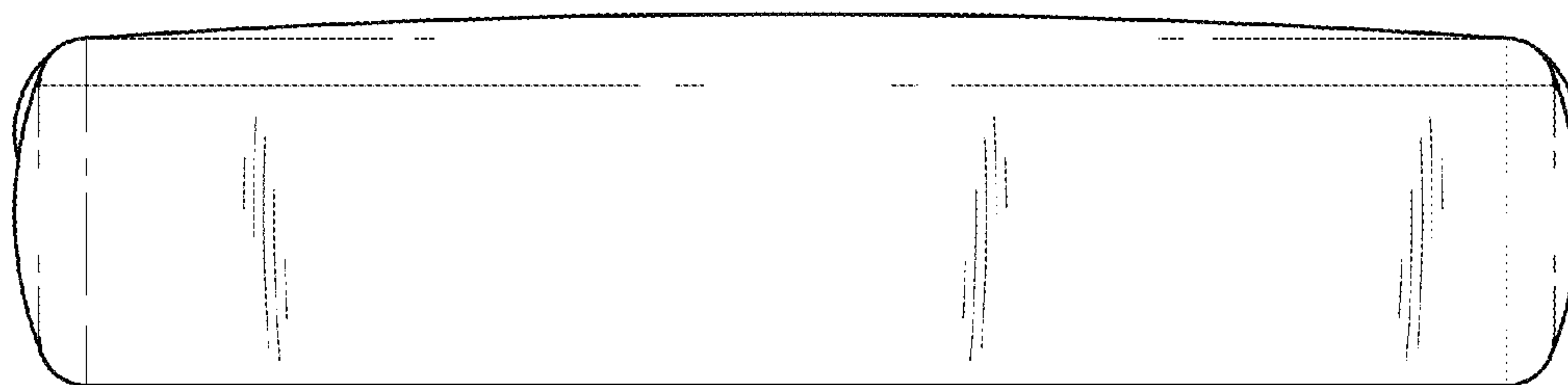


FIG. 3

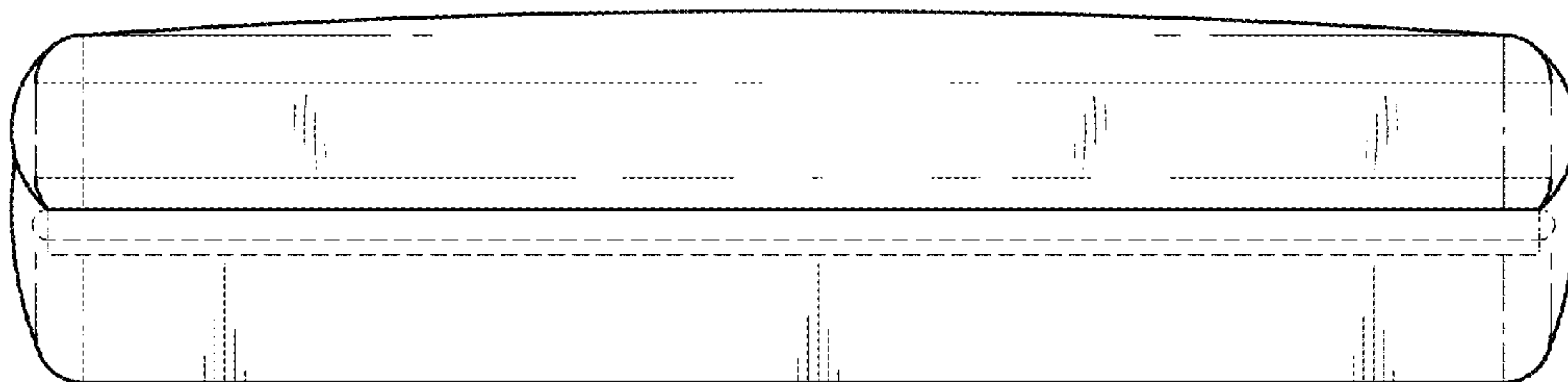


FIG. 4

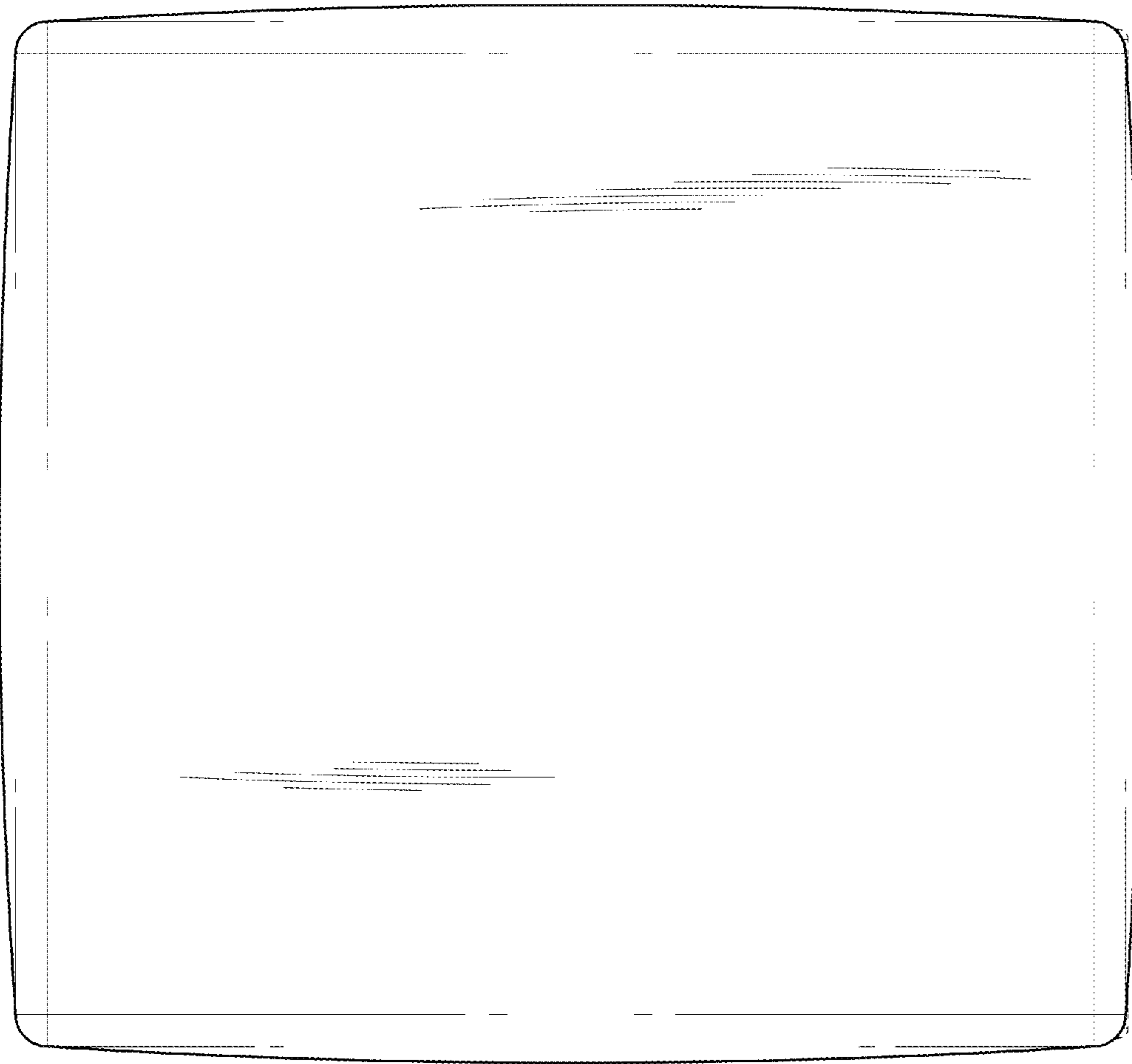


FIG. 5

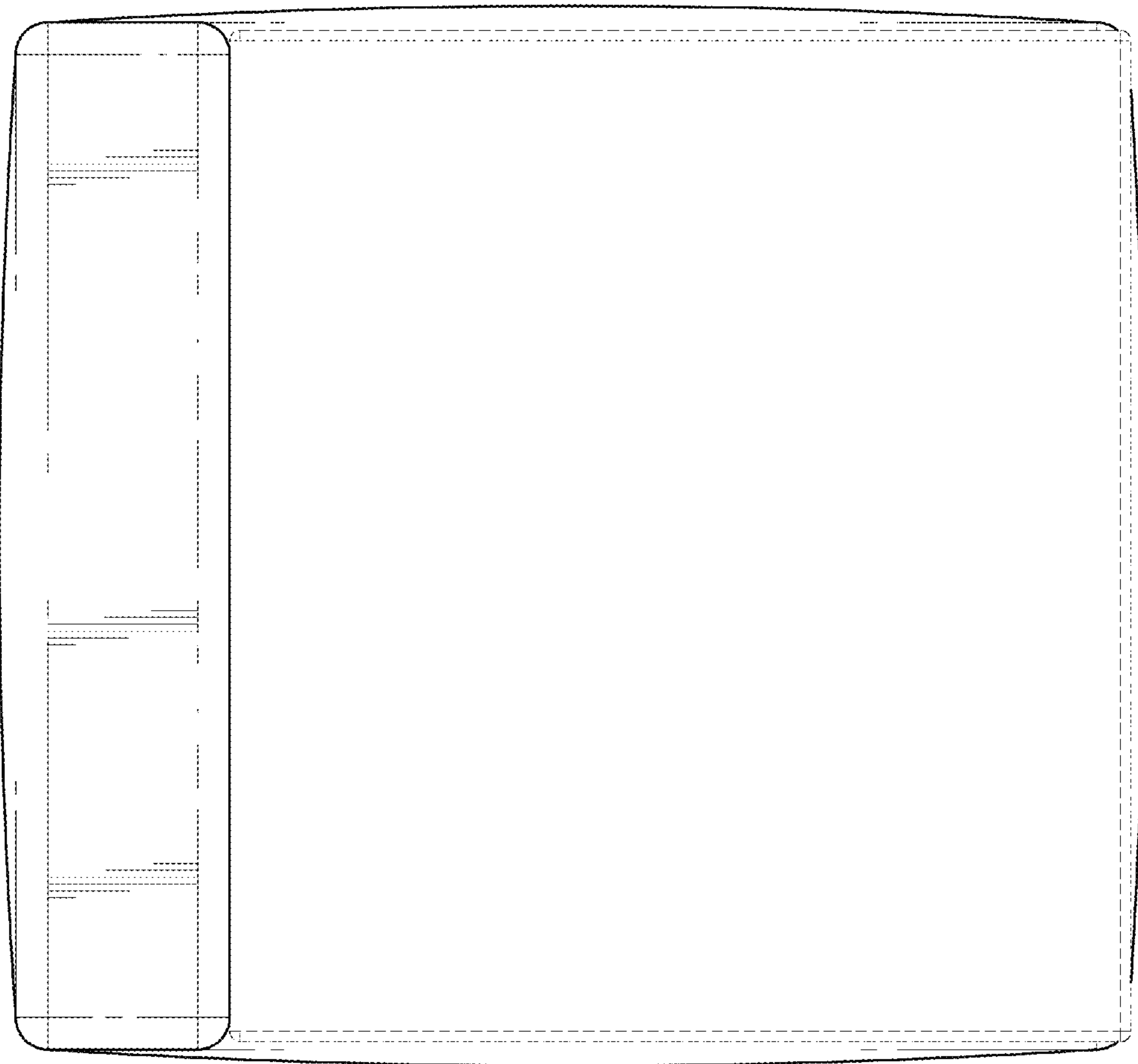


FIG. 6