



US00D725921S

(12) **United States Design Patent**
Banda

(10) **Patent No.:** **US D725,921 S**
(45) **Date of Patent:** **** Apr. 7, 2015**

- (54) **OTTOMAN**
- (71) Applicant: **Andrea Banda**, Baldwyn, MS (US)
- (72) Inventor: **Andrea Banda**, Baldwyn, MS (US)
- (73) Assignee: **H.M. Richards, Inc.**, Baldwyn, MS (US)
- (**) Term: **14 Years**
- (21) Appl. No.: **29/466,028**
- (22) Filed: **Sep. 4, 2013**

Related U.S. Application Data

- (62) Division of application No. 29/449,785, filed on Mar. 15, 2013, now Pat. No. Des. 691,826.
- (51) **LOC (10) Cl.** **06-01**
- (52) **U.S. Cl.**
USPC **D6/349**
- (58) **Field of Classification Search**
CPC A47C 1/14; A47C 3/16-3/20; A47C 4/00;
A47C 4/28; A47C 5/02; A47C 7/02; A47C
9/00; A47C 9/02; A47C 9/002; A47C 9/007;
A47C 9/025; A47C 11/00; A47C 12/00;
A47C 13/00; A47C 16/02
USPC D6/335, 336, 340, 344, 347, 349-355,
D6/358, 360, 363-373, 381-382, 685, 687,
D6/688, 690, 691-691.6, 692, 692.4, 694,
D6/703.15, 708.21, 708.22, 709.22,
D6/716-716.7, 717
See application file for complete search history.

(56) **References Cited**

U.S. PATENT DOCUMENTS

- 2,696,870 A * 12/1954 Mende 297/105
- 2,822,861 A * 2/1958 Parent 248/394

- 2,877,830 A * 3/1959 Smith 297/461
- 5,466,041 A * 11/1995 Hoffman et al. 297/188.1
- D382,124 S * 8/1997 Chandler D6/349
- D400,363 S * 11/1998 Lewis D6/349

OTHER PUBLICATIONS

Cindy Crawford Calista Microfiber Ottoman. [online] Retrieved Nov. 25, 2014 from URL: <<http://www.raymourflanigan.com/cindy-crawford-calista-microfiber-ottoman-214232908.aspx>>.*
Emerald Home Furnishings Baron Ottoman. [online] Retrieved Nov. 24, 2014 from URL: <<http://www.wayfair.com/Emerald-Home-Furnishings-Baron-Ottoman-U104403-17-28F-EQF1003.html>>.*
Signature Design by Ashley Fresia Ottoman. [online] Retrieved Nov. 24, 2014 from URL: <<http://www.wayfair.com/Fresia-Ottoman-7860114-GNT3312.html>>.*
Simon Li Prescott Leather Ottoman. [online] Retrieved Nov. 24, 2014 from URL: <<http://www.wayfair.com/Simon-Li-Prescott-Leather-Ottoman-6982-06-SIML1017.html>>.*

* cited by examiner

Primary Examiner — Susan Bennett Hattan

Assistant Examiner — Vy Koenig

(74) *Attorney, Agent, or Firm* — Jeremy A. Smith; John W. Smith T.; Bradley Arant Boult Cummings LLP

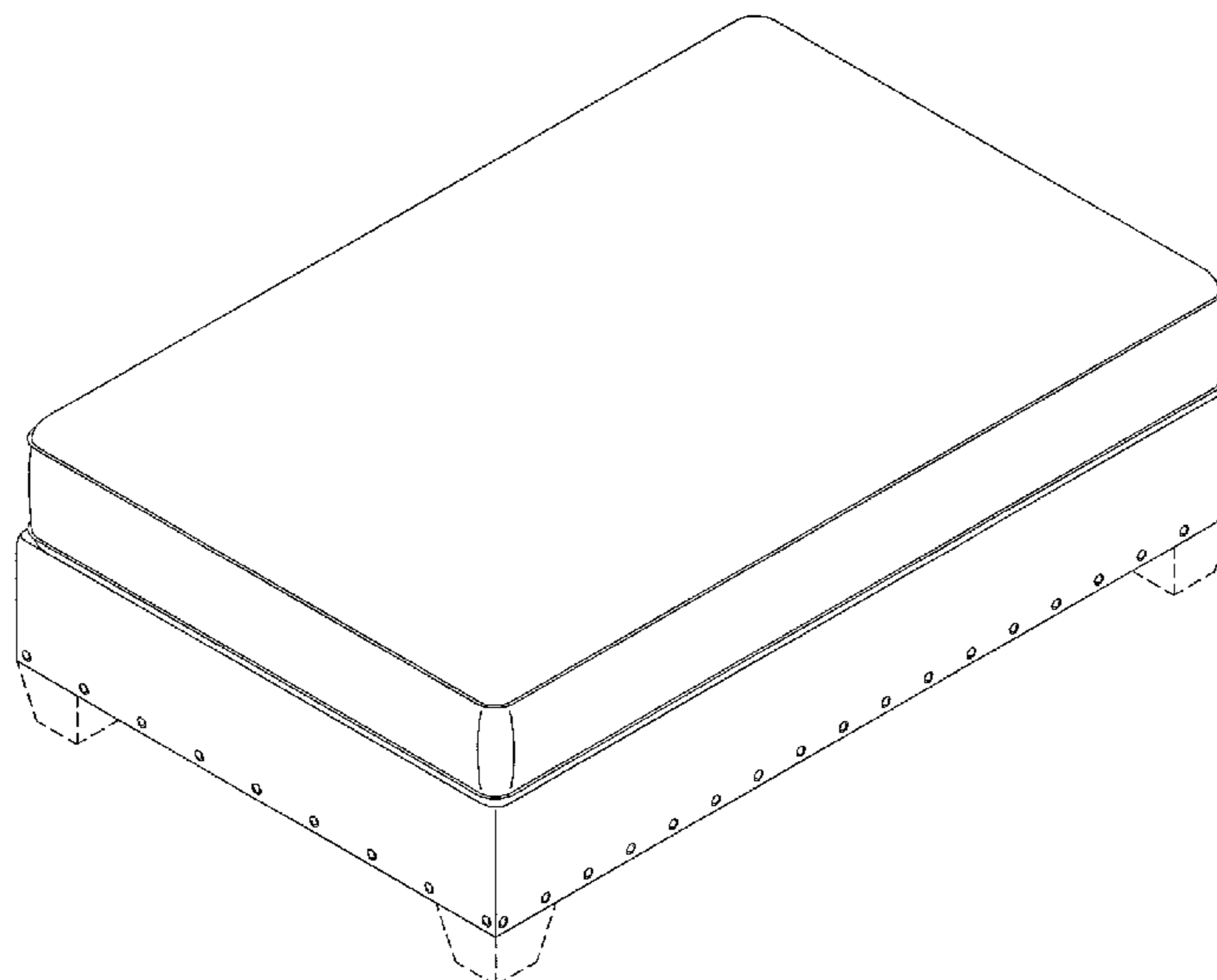
(57) **CLAIM**

The ornamental design for an ottoman, as shown and described.

DESCRIPTION

FIG. 1 shows a front view of the ottoman showing my new design;
FIG. 2 shows side view thereof;
FIG. 3 shows a top view thereof; and,
FIG. 4 shows an elevated perspective view thereof.
The dashed lines shown in the drawings illustrate environmental structure and form no part of the claimed design.

1 Claim, 3 Drawing Sheets



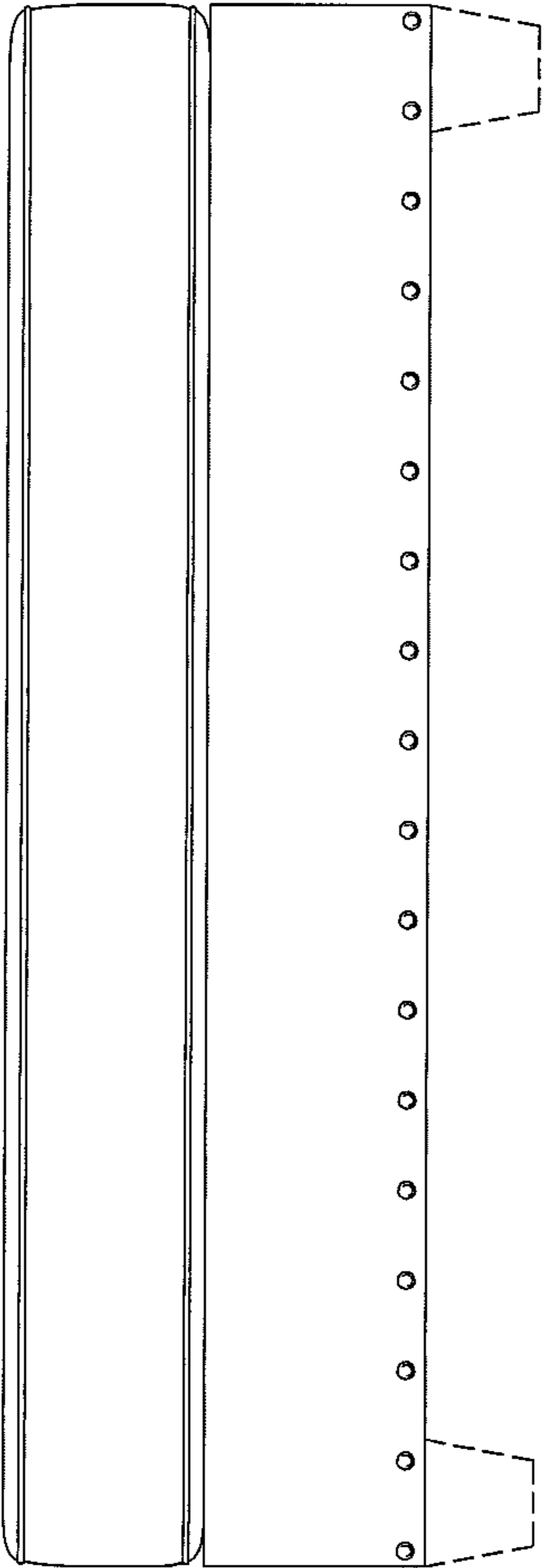


FIG. 1

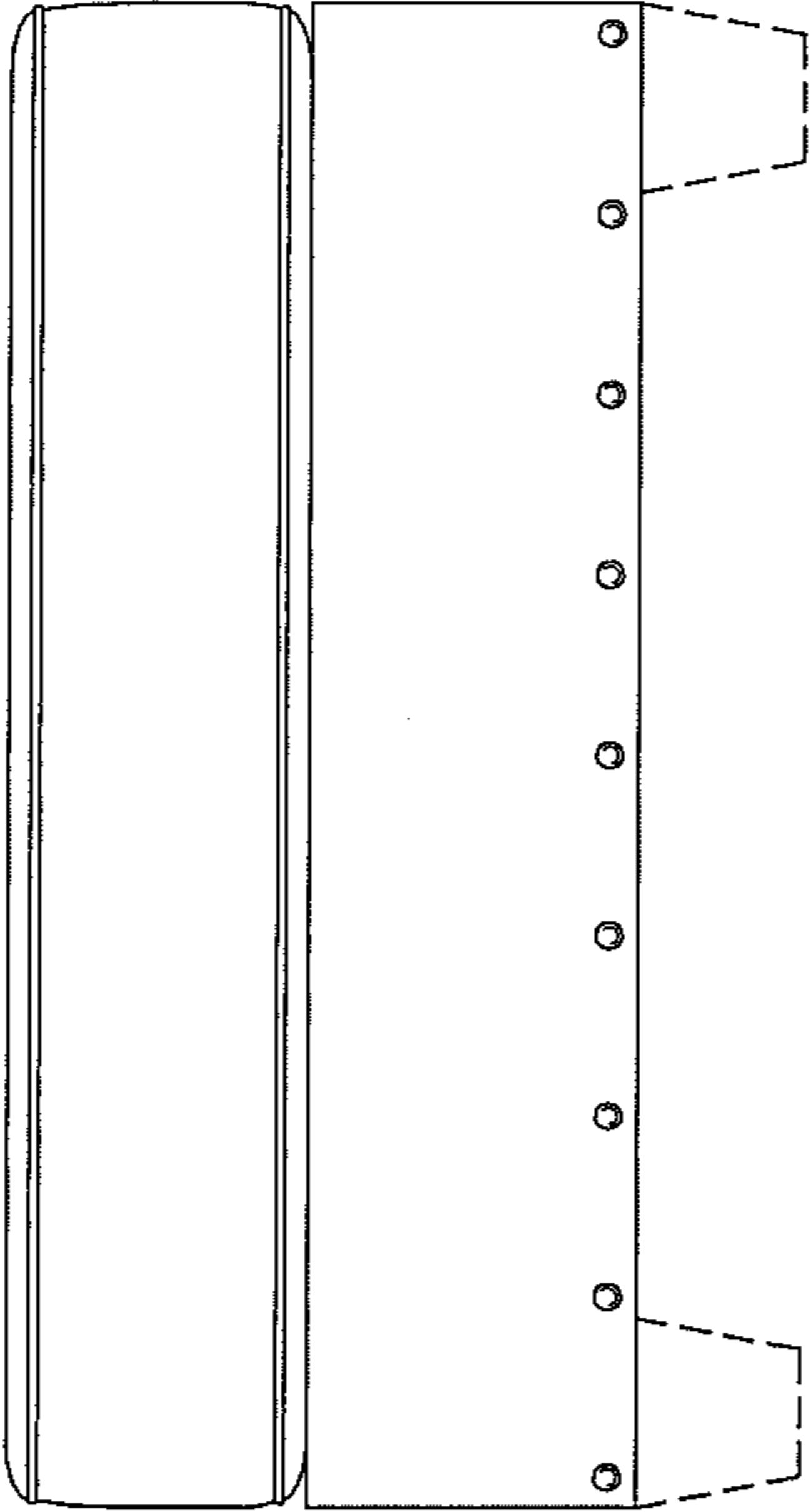


FIG. 2

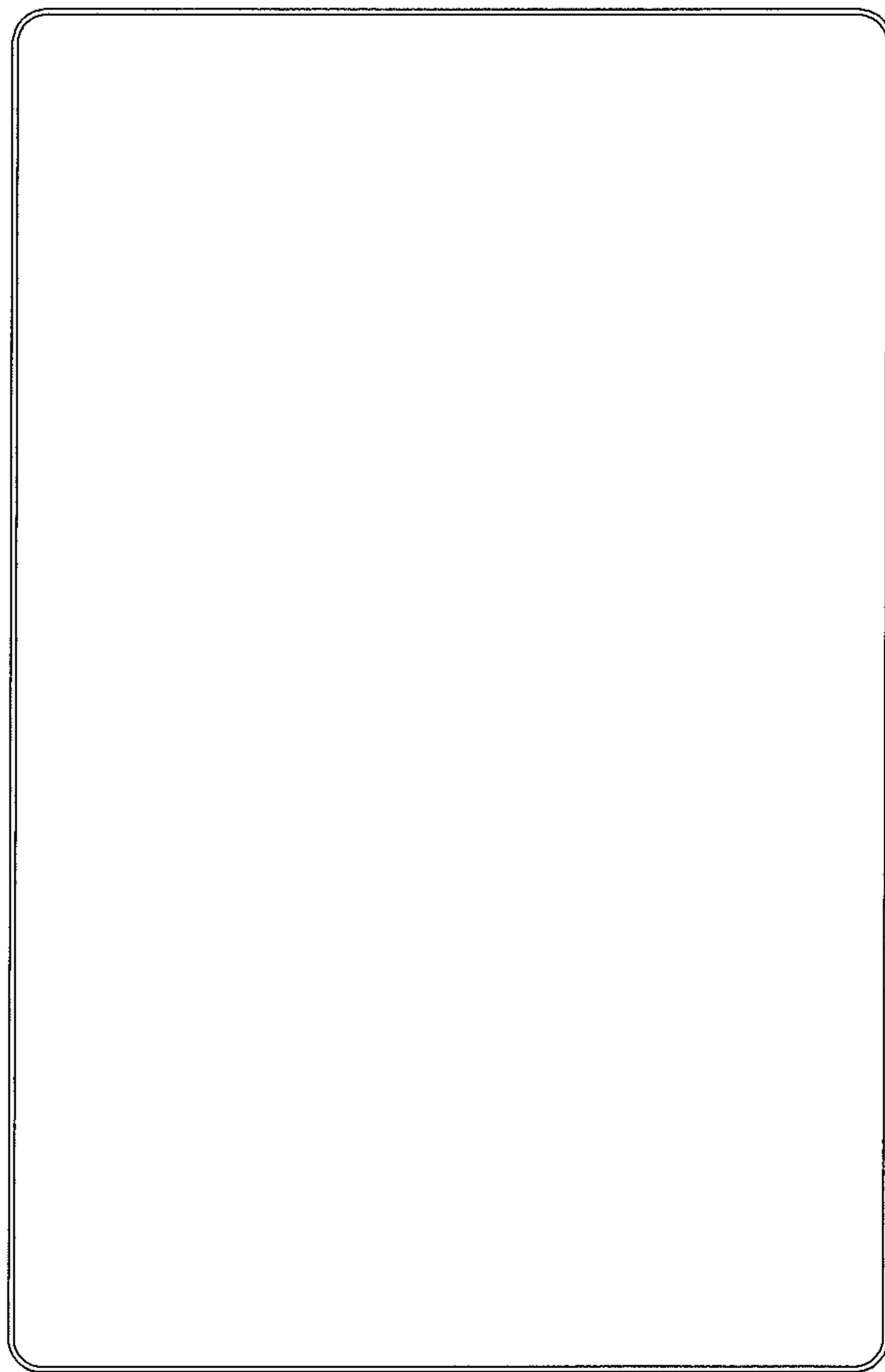


FIG. 3

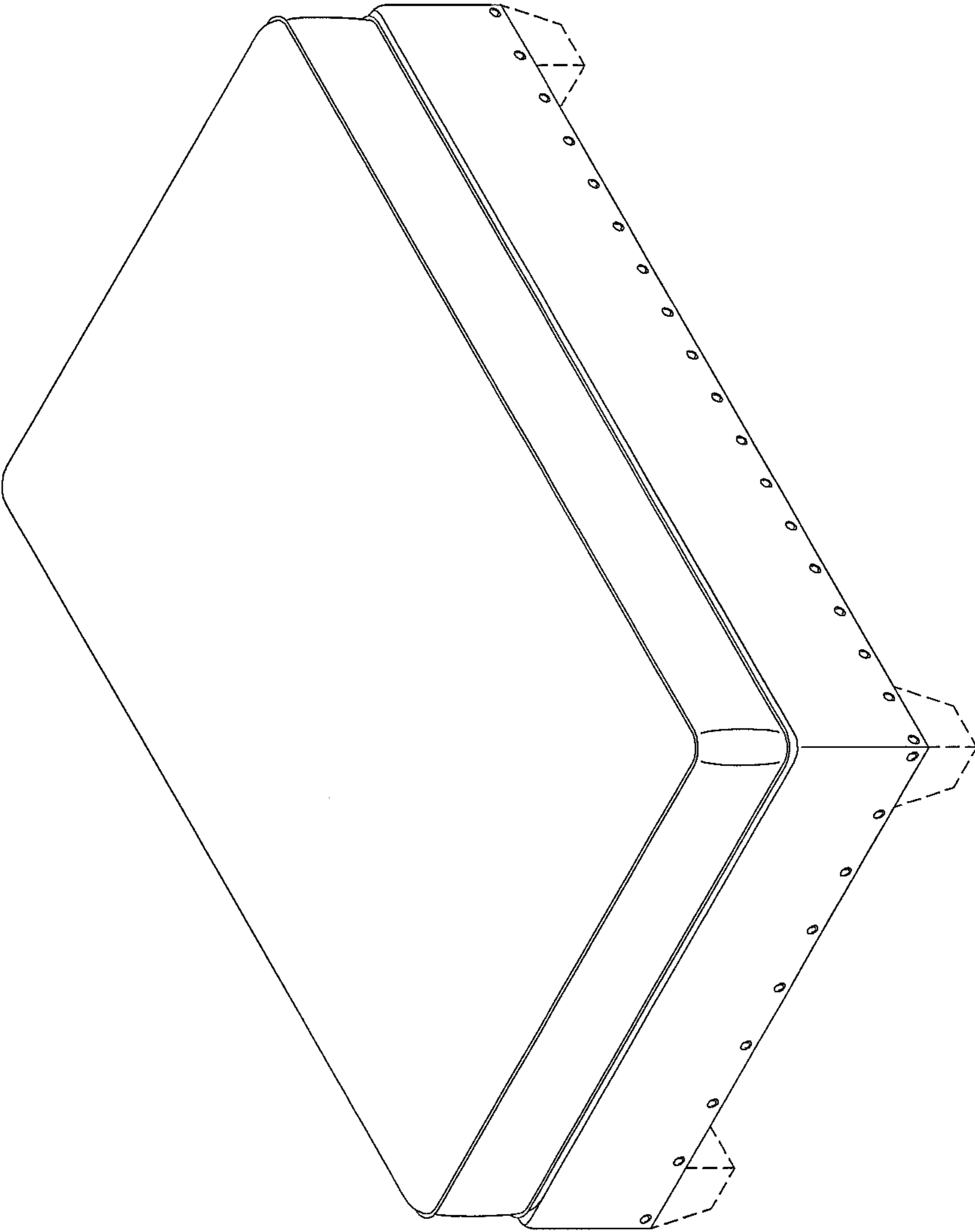


FIG. 4