



US00D725920S

(12) **United States Design Patent**
Reynolds

(10) **Patent No.:** **US D725,920 S**

(45) **Date of Patent:** **** *Apr. 7, 2015**

(54) **BOOKCASE**

(71) Applicant: **Orla Reynolds**, Dublin (IE)

(72) Inventor: **Orla Reynolds**, Dublin (IE)

(*) Notice: This patent is subject to a terminal disclaimer.

(**) Term: **14 Years**

(21) Appl. No.: **29/439,165**

(22) Filed: **Dec. 7, 2012**

(51) **LOC (10) Cl.** **06-01**

(52) **U.S. Cl.**
USPC **D6/336**

(58) **Field of Classification Search**
USPC D6/335, 336, 337, 338, 349, 350, 351,
D6/352, 353, 354, 368, 702, 704, 705, 708,
D6/716, 672, 673, 675; 297/129, 188.01,
297/188.04, 188.06, 17, 52; D34/23
See application file for complete search history.

(56) **References Cited**

U.S. PATENT DOCUMENTS

1,660,119 A * 2/1928 Decker 446/69
D148,449 S * 1/1948 Twente D6/337

(Continued)

Primary Examiner — Sandra Snapp

(57) **CLAIM**

The ornamental design for a bookcase, as shown and described.

DESCRIPTION

FIG. 1 is a perspective view of a bookcase of my design, the bookcase being comprised of chairs and tables that nest within a series of stackable compartments;

FIG. 2 is a front view of the bookcase of FIG. 1;

FIG. 3 is a side view of the bookcase of FIG. 1;

FIG. 4 is a back view of the bookcase of FIG. 1;

FIG. 5 is a top plan view of the bookcase of FIG. 1;

FIG. 6 is a bottom plan view of the bookcase of FIG. 1;

FIG. 7 is a perspective view of a chair that is nested within the bookcase of FIG. 1, the chair removed for ease of illustration;

FIG. 8 is a front view of the chair of FIG. 7;

FIG. 9 is a side view of the chair of FIG. 7;

FIG. 10 is a back view of the chair of FIG. 7;

FIG. 11 is a top plan view of the chair of FIG. 7;

FIG. 12 is a bottom plan view of the chair of FIG. 7;

FIG. 13 is a perspective view of a table that is nested within the bookcase of FIG. 1, the table removed for ease of illustration;

FIG. 14 is a front view of the table of FIG. 13;

FIG. 15 is a back view of the table of FIG. 13;

FIG. 16 is a left side view of the table of FIG. 13;

FIG. 17 is a right side view the table of FIG. 13;

FIG. 18 is a top plan view of the table of FIG. 13;

FIG. 19 is a bottom plan view of the table of FIG. 13;

FIG. 20 is a perspective view of a first stackable compartment that forms the bookcase of FIG. 1 in which a chair of FIG. 7 can be nested;

FIG. 21 is a front view of the first stackable compartment of FIG. 20;

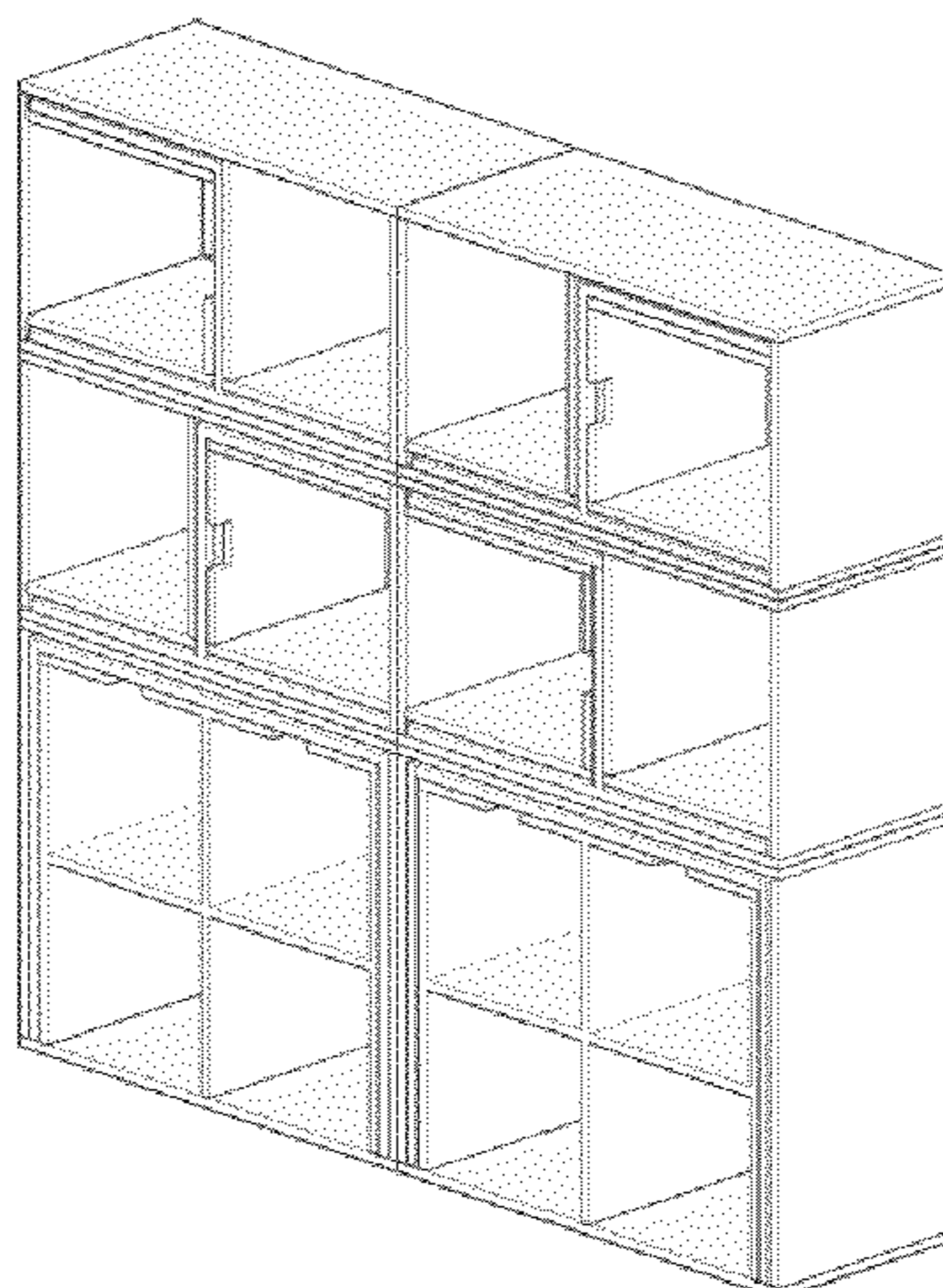
FIG. 22 is a perspective view of a second stackable compartment that forms the bookcase of FIG. 1 in which a chair of FIG. 7 can be nested;

FIG. 23 is a front view of the second stackable compartment of FIG. 22;

FIG. 24 is a perspective view of a third stackable compartment that forms the bookcase of FIG. 1 in which a table of FIG. 13 can be nested; and,

FIG. 25 is a front view of the third stackable compartment of FIG. 24.

1 Claim, 21 Drawing Sheets



(56)

References Cited

U.S. PATENT DOCUMENTS

2,620,018 A * 12/1952 Pagano 297/123
3,371,963 A * 3/1968 Weller 297/451.8
D235,039 S * 5/1975 Olsen D6/335
3,964,790 A * 6/1976 Bergeron 297/451.5
4,050,736 A * 9/1977 Karp 297/135
D273,732 S * 5/1984 Tiffany D6/335
D274,576 S * 7/1984 Tiffany D6/335
D366,966 S * 2/1996 Bonaddio et al. D6/335
D373,476 S * 9/1996 Hull D6/338

6,270,155 B1 * 8/2001 Rashid 297/1
D459,901 S * 7/2002 Liu D6/336
D503,548 S * 4/2005 Peters D6/335
D518,301 S * 4/2006 Ng et al. D6/335
7,310,838 B2 * 12/2007 Goldstein 5/18.1
D559,563 S * 1/2008 Lighthart D6/329
D560,922 S * 2/2008 Rope D6/388
D587,024 S * 2/2009 Turco-Rivas D6/336
D618,923 S * 7/2010 Vu D6/338
D621,628 S * 8/2010 Saul D6/335
D630,030 S * 1/2011 Vu D6/338
D632,503 S * 2/2011 Saul D6/335

* cited by examiner

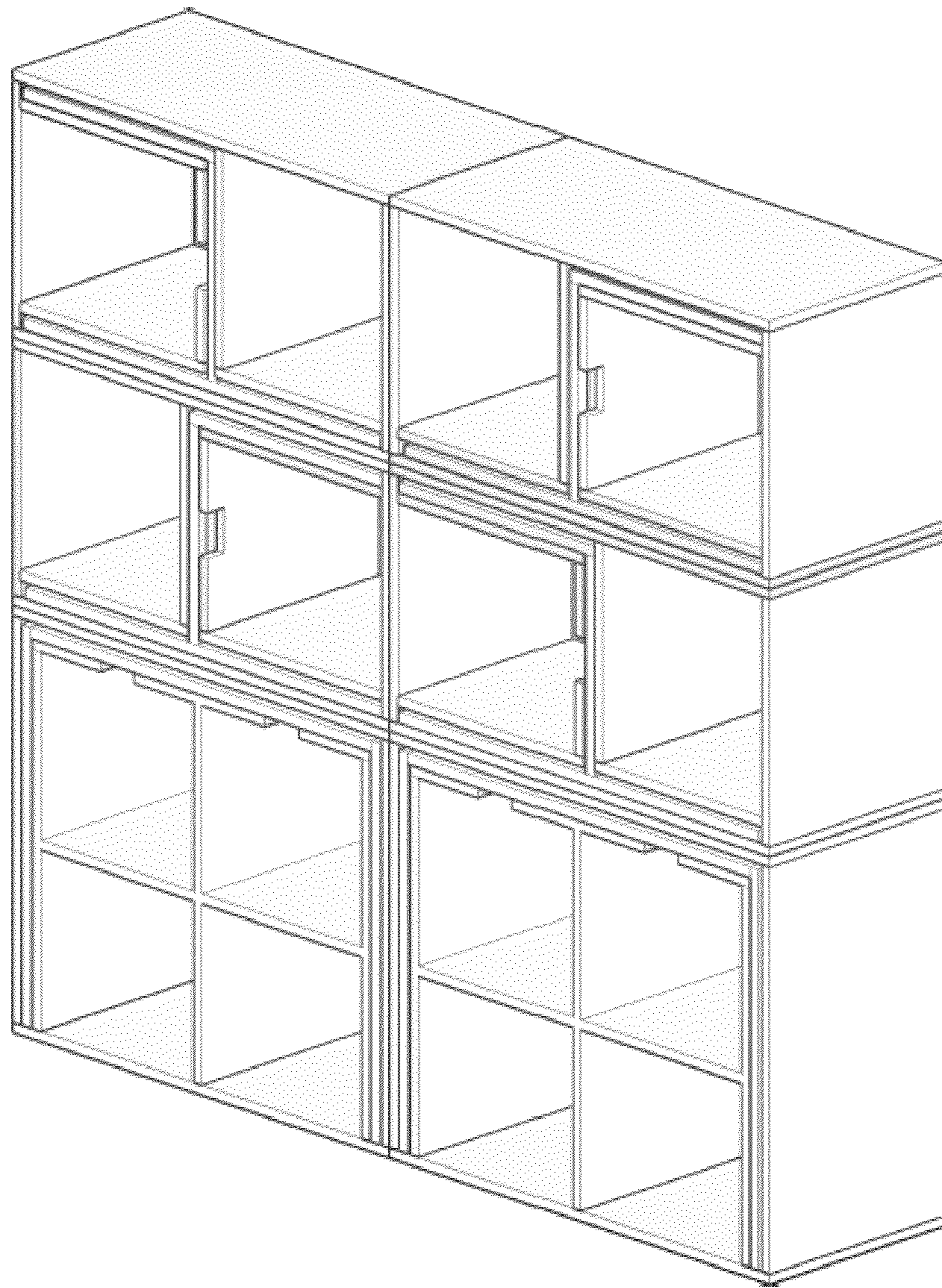


FIGURE 1

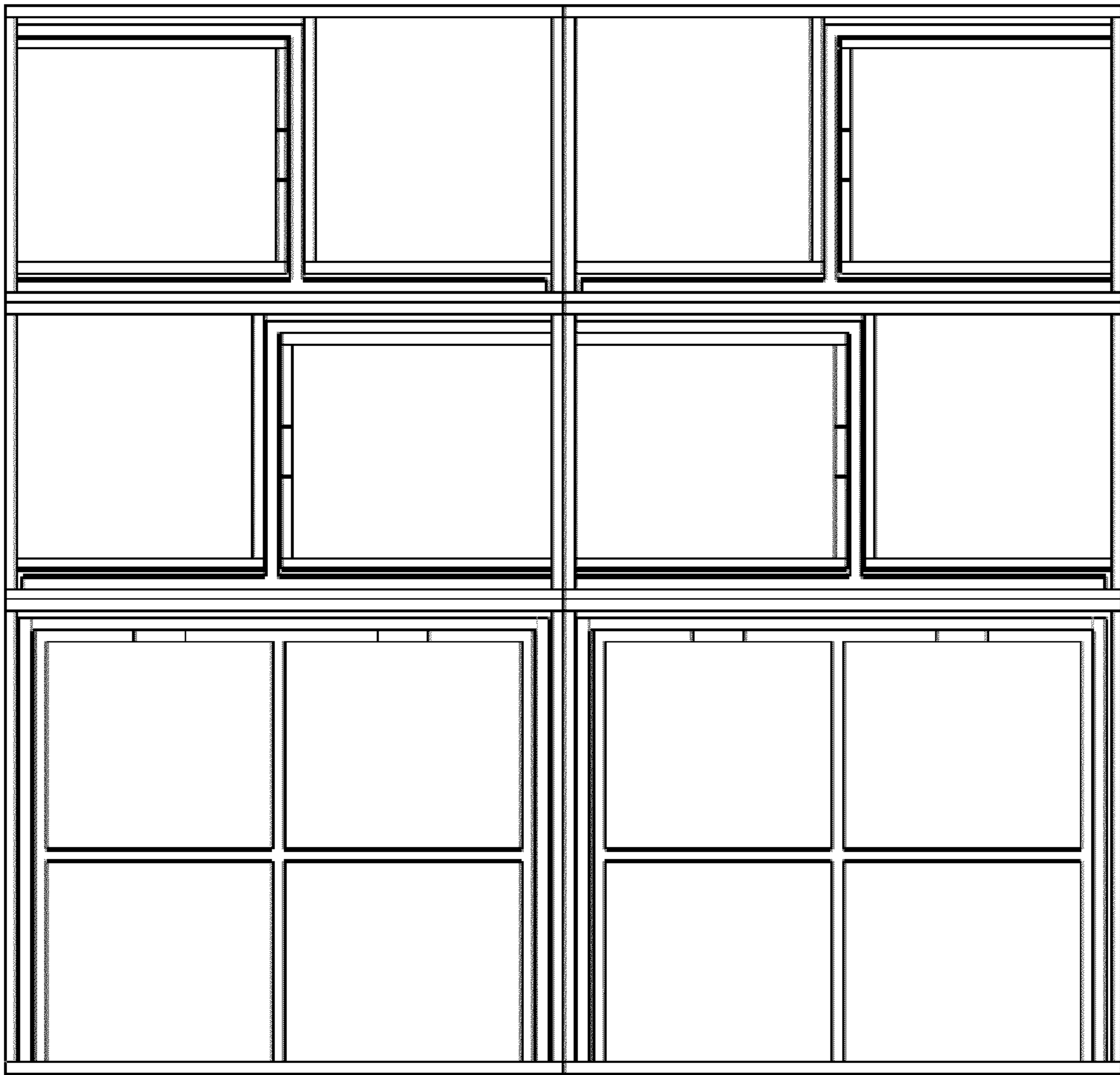


FIGURE 2

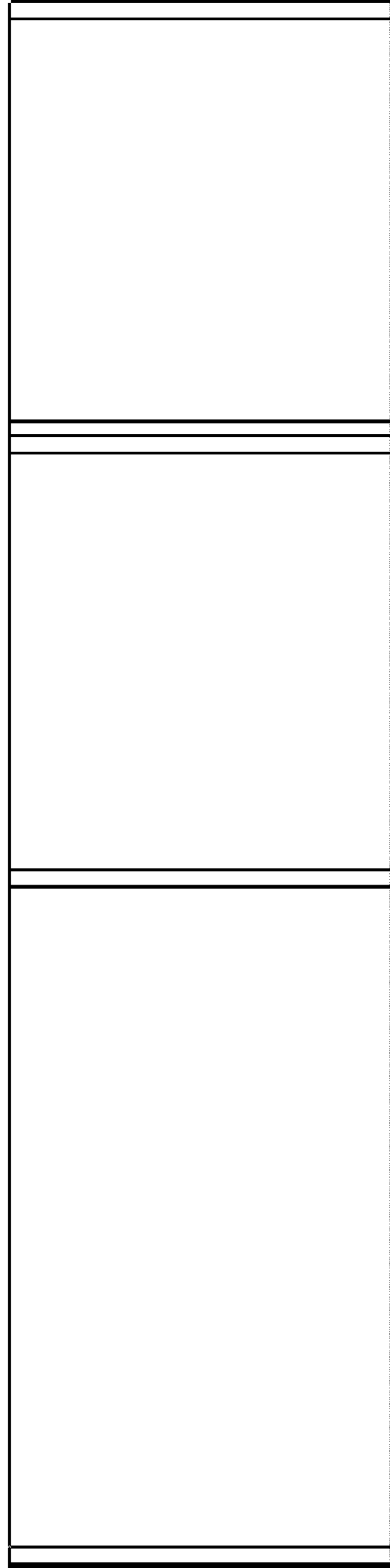


FIGURE 3

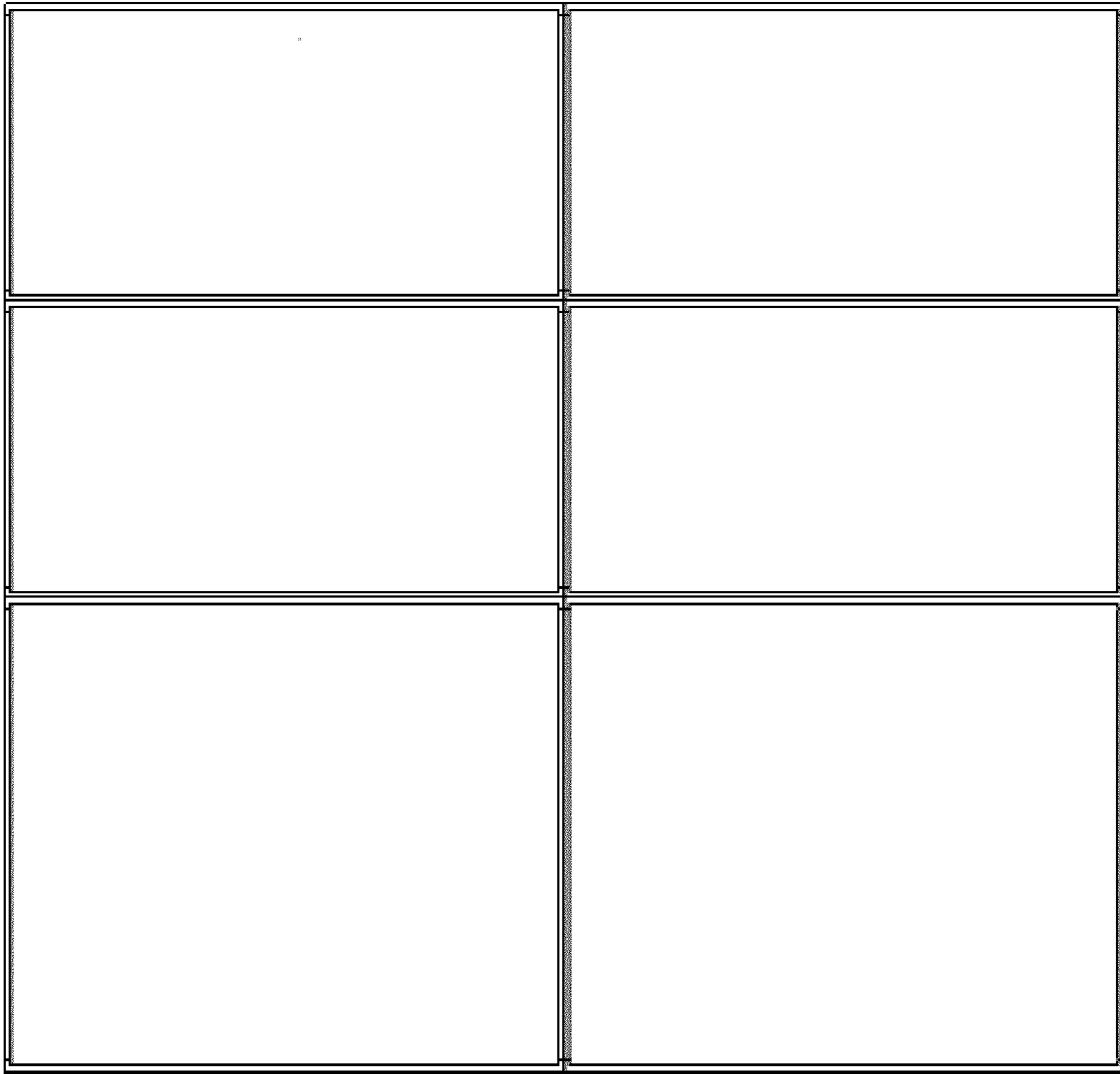


FIGURE 4

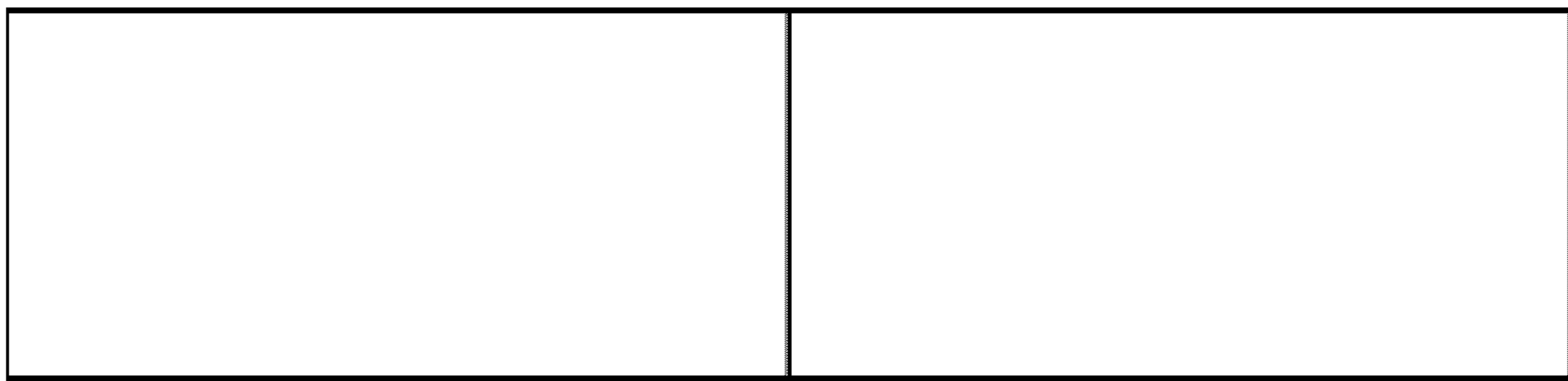


FIGURE 5

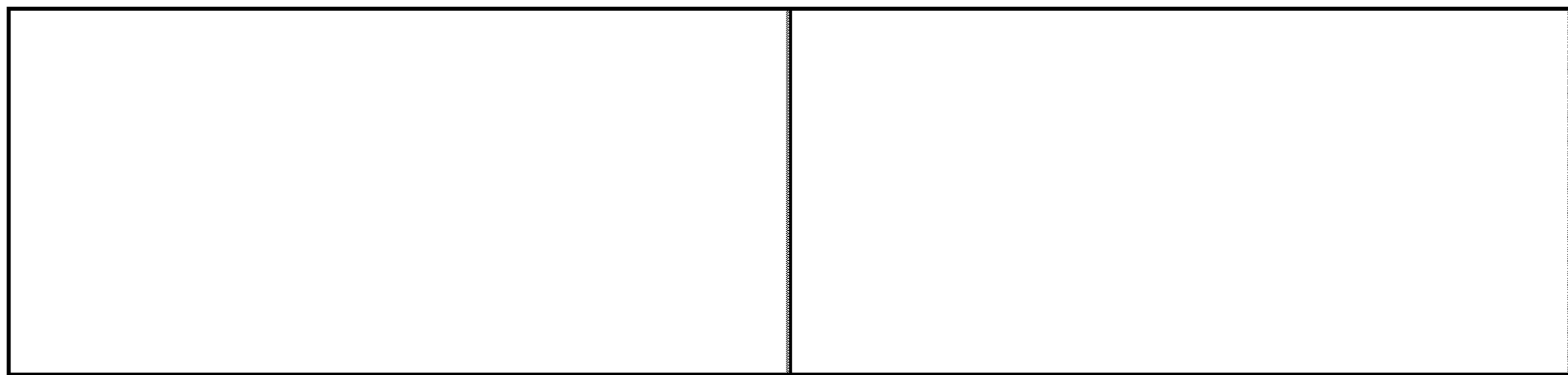


FIGURE 6

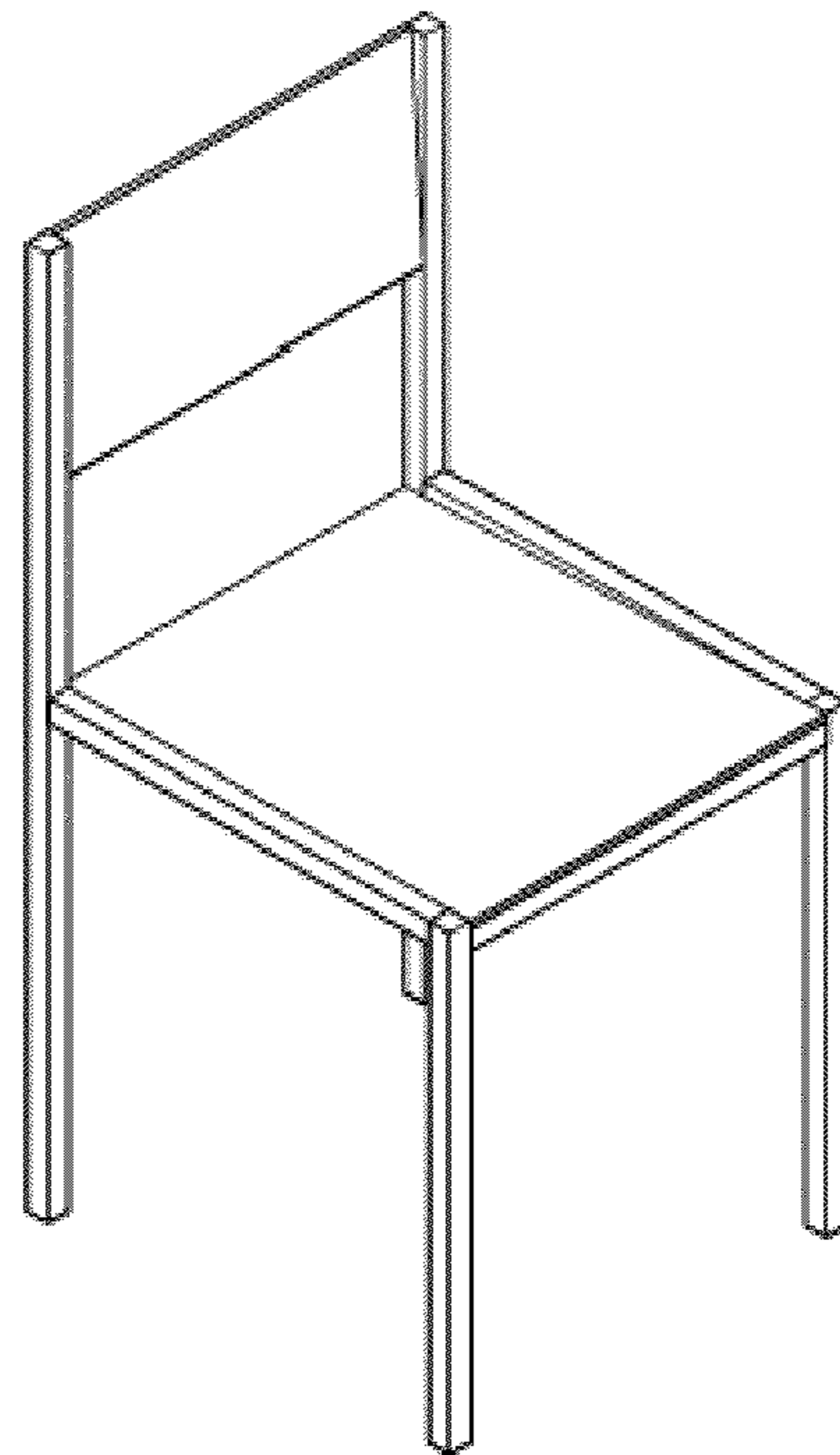


FIGURE 7

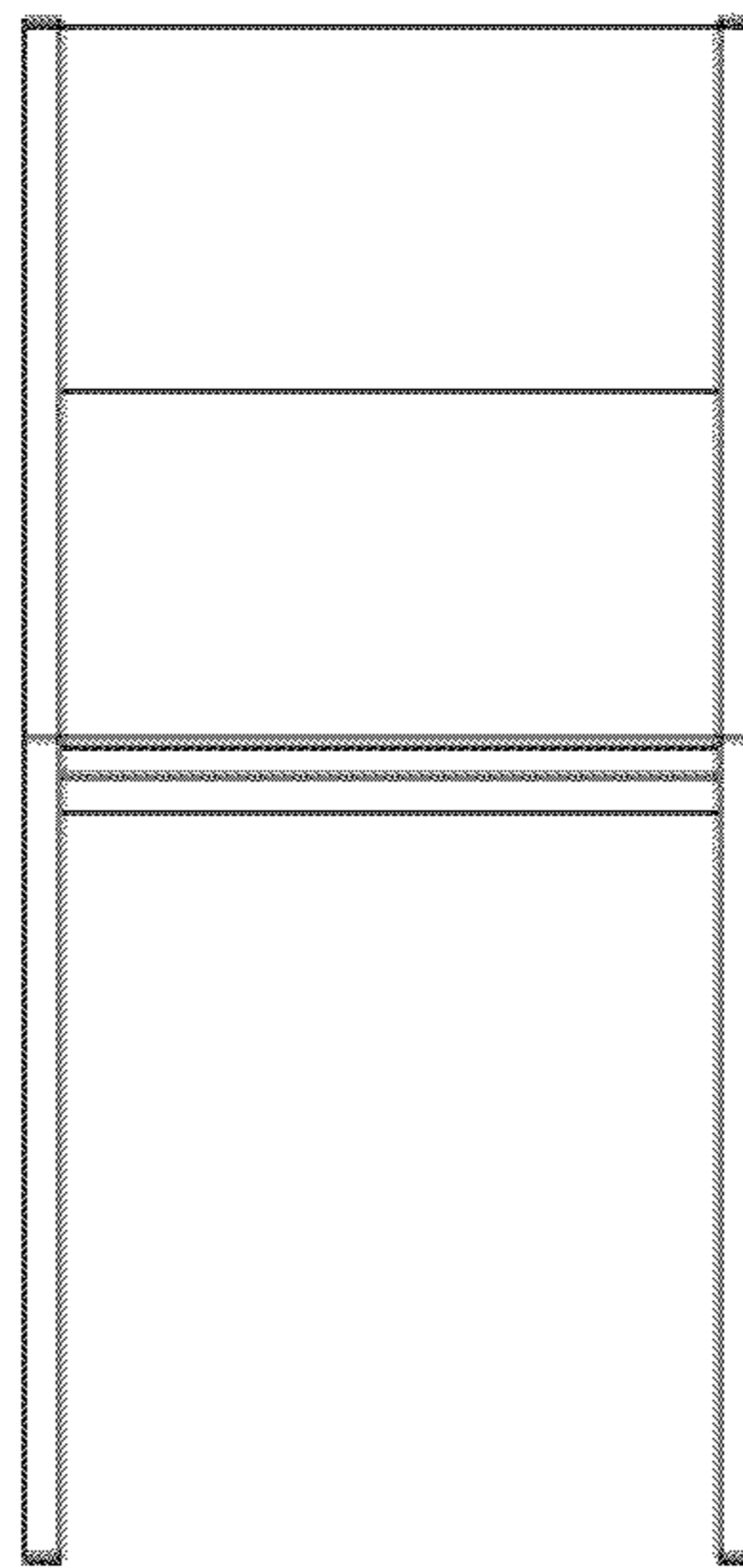


FIGURE 8

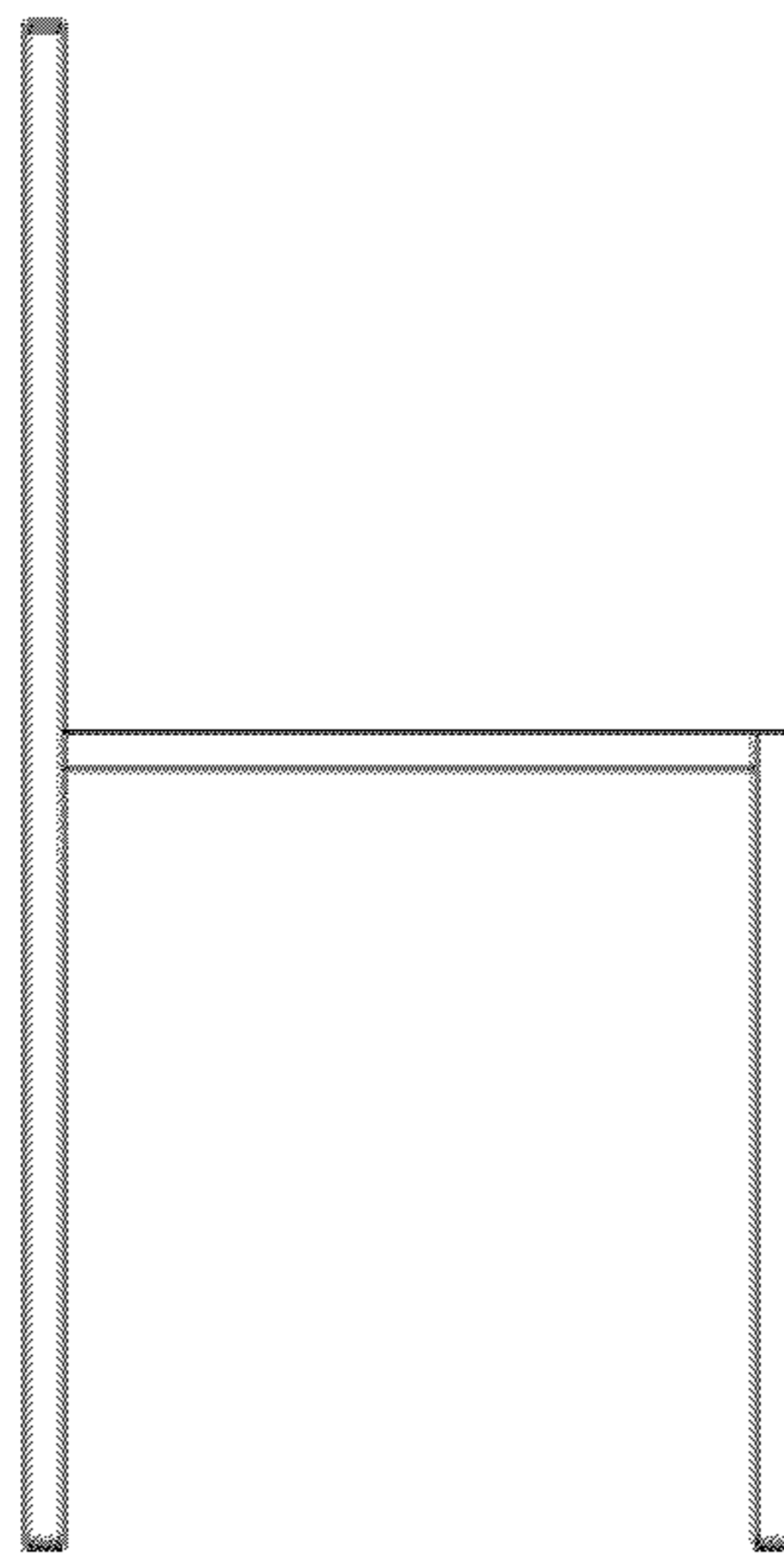


FIGURE 9

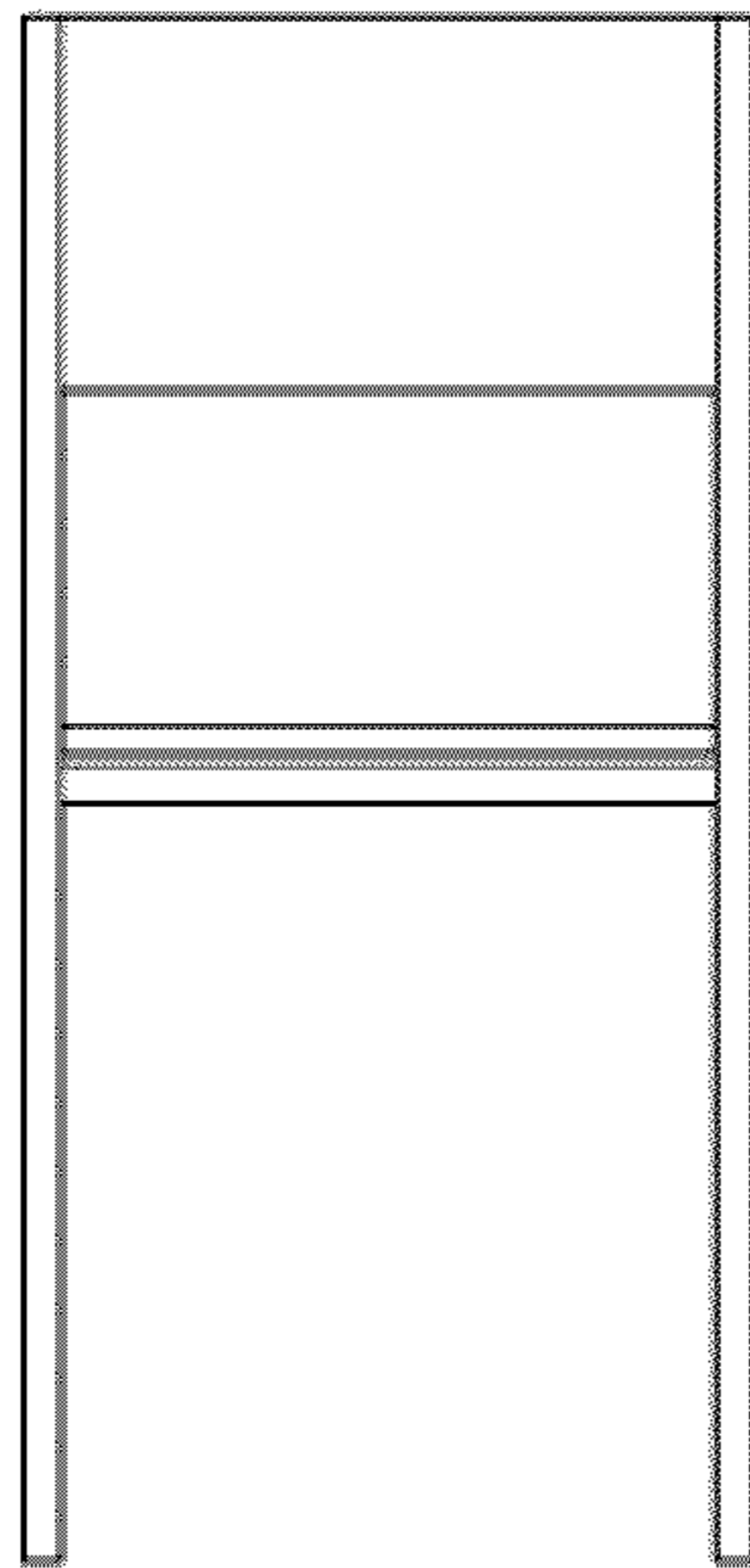


FIGURE 10

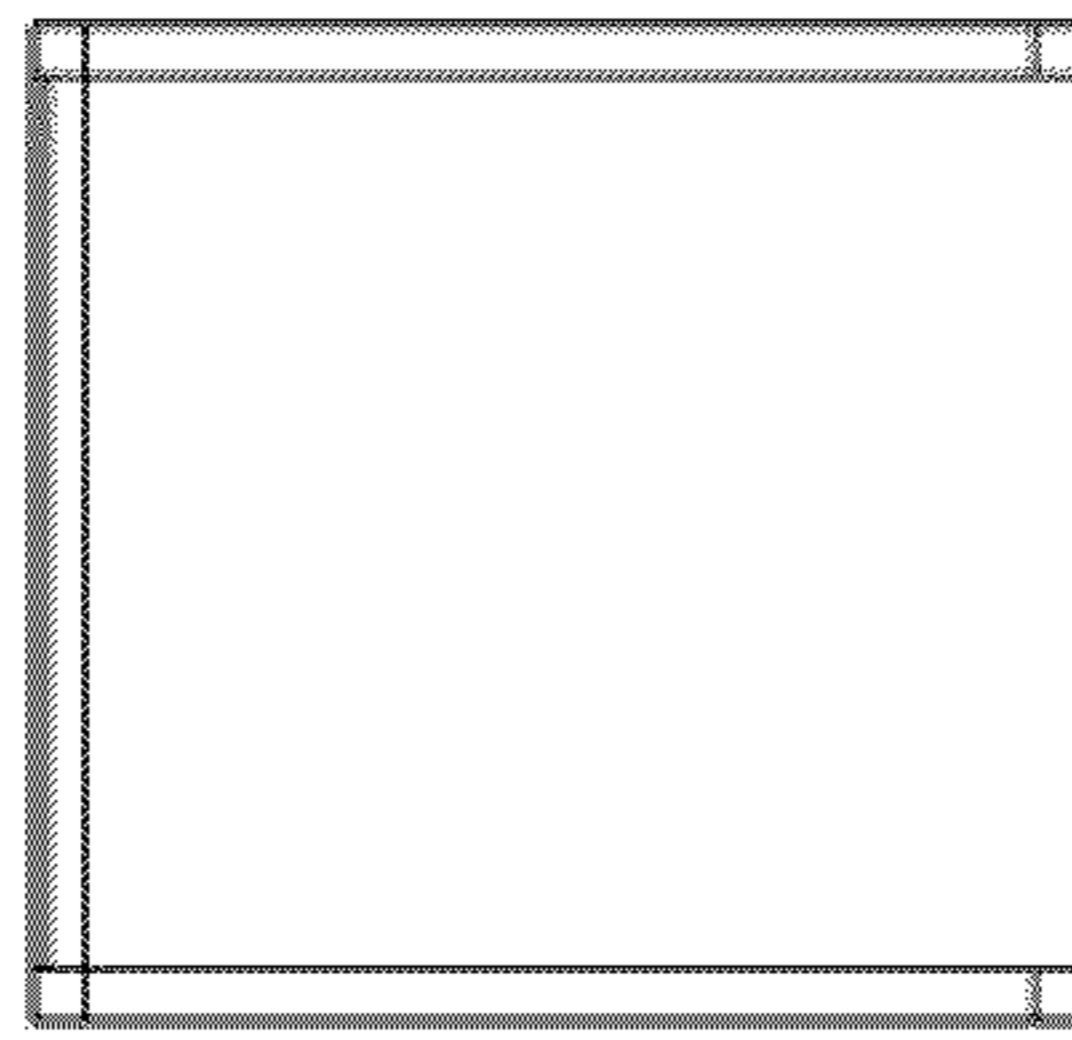


FIGURE 11

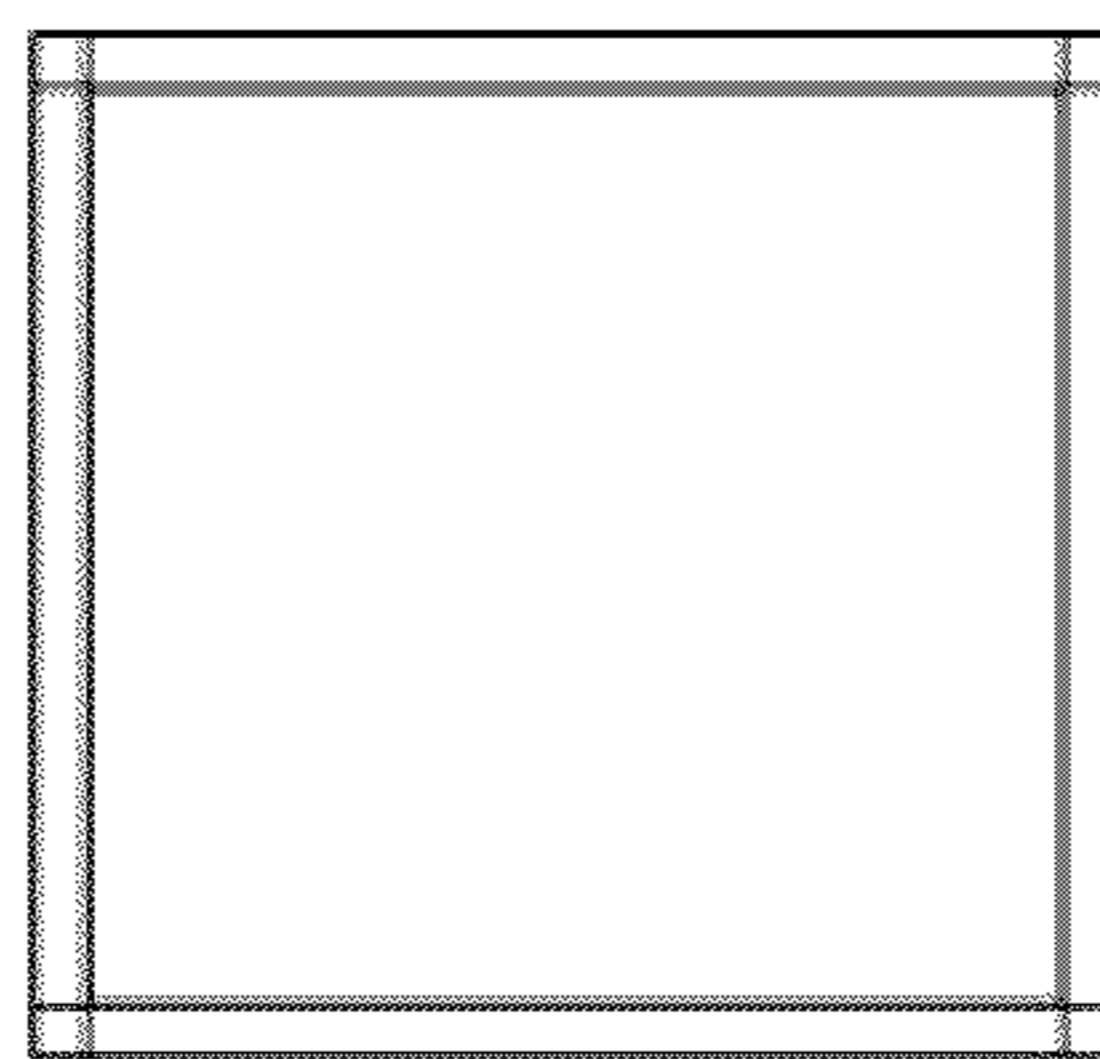


FIGURE 12

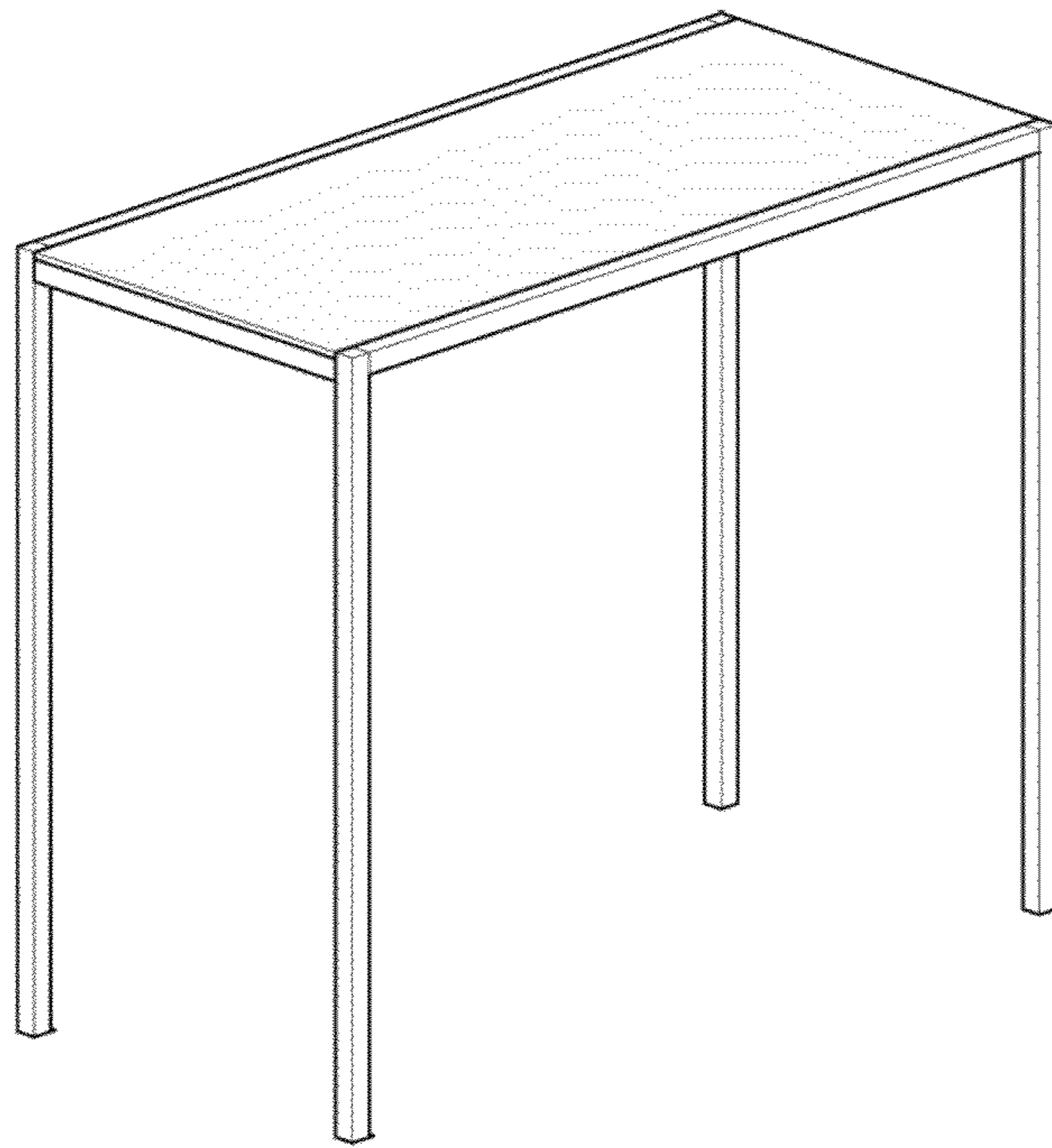


FIGURE 13



FIGURE 14



FIGURE 15

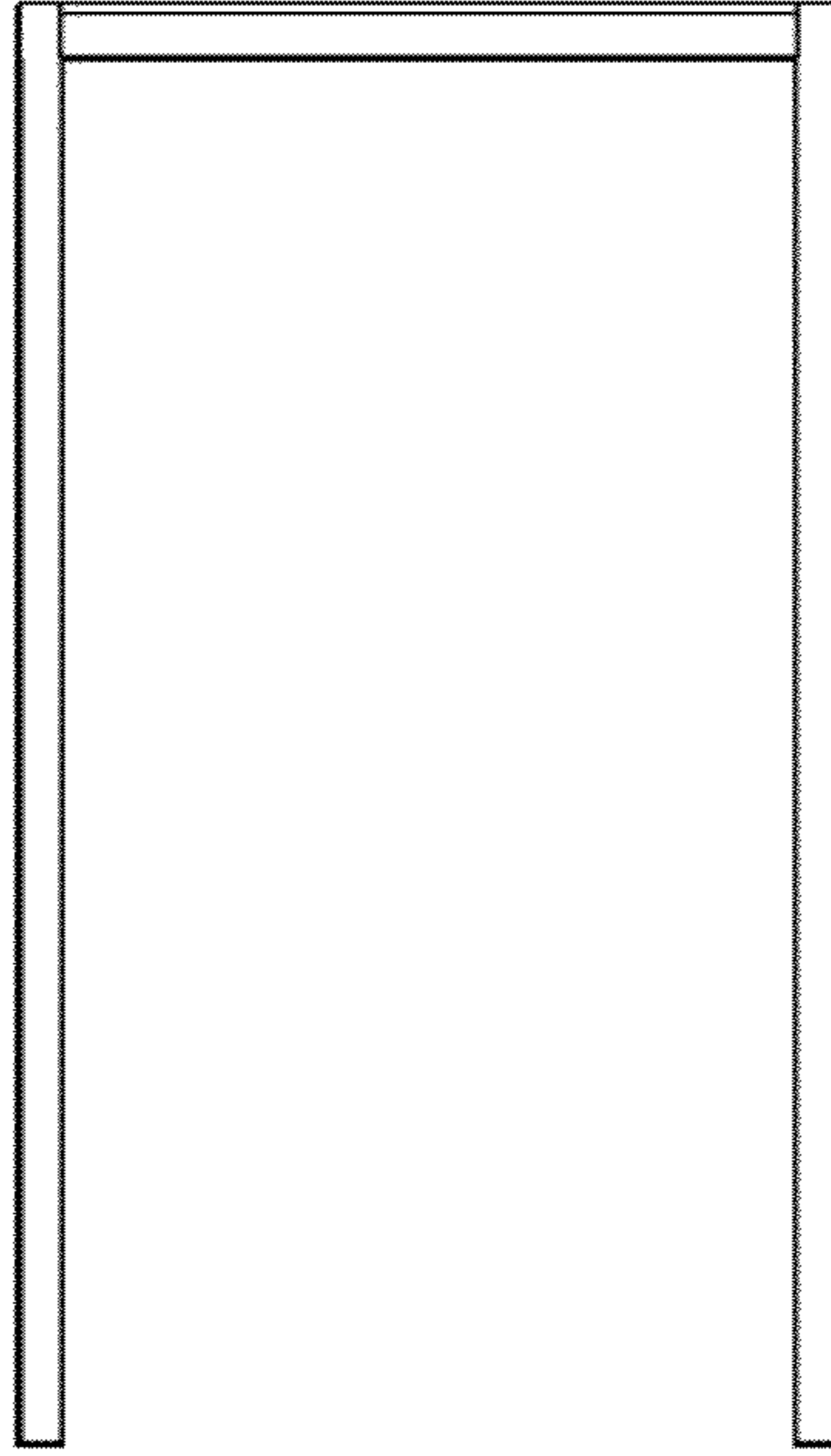


FIGURE 16

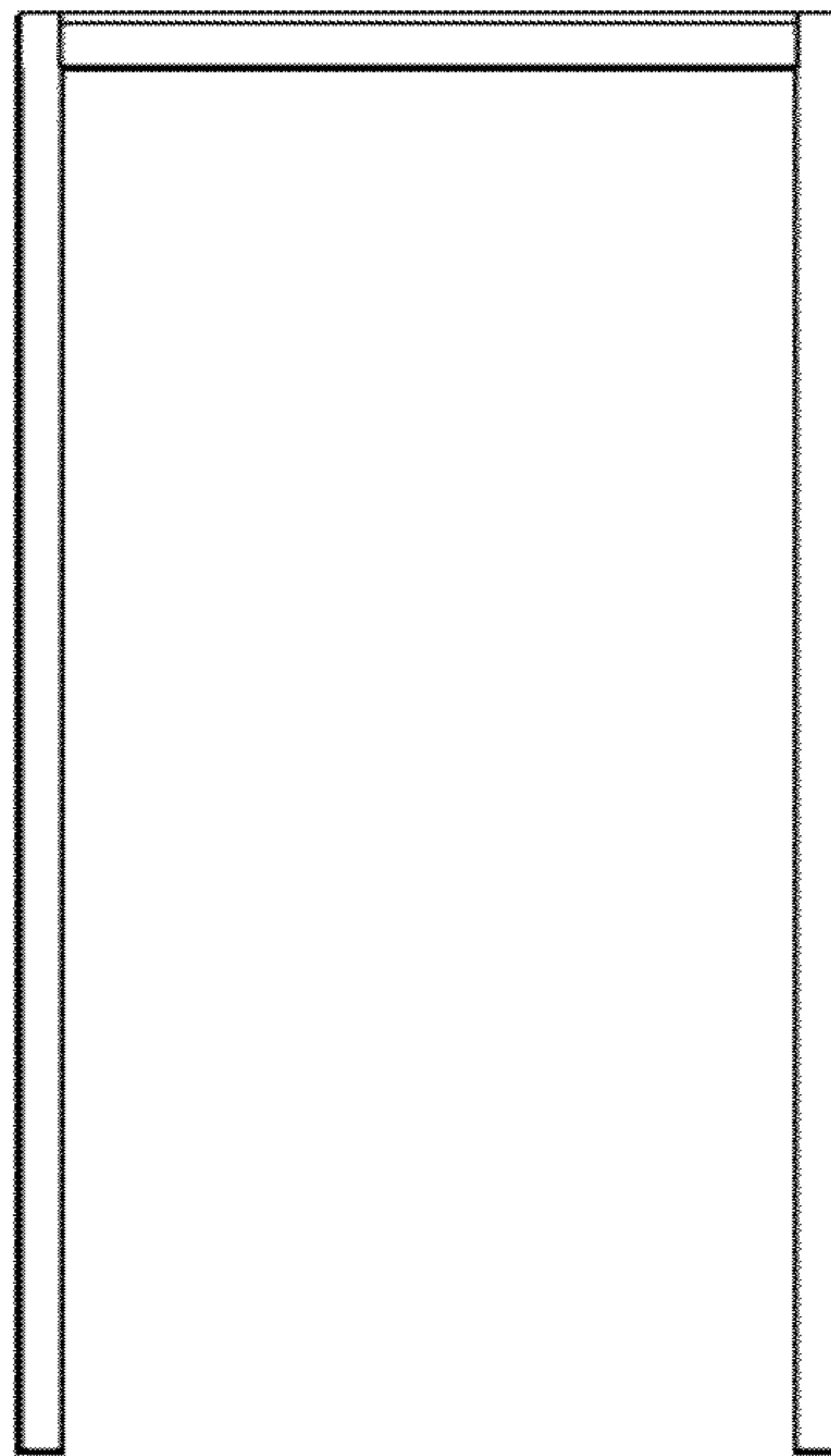


FIGURE 17

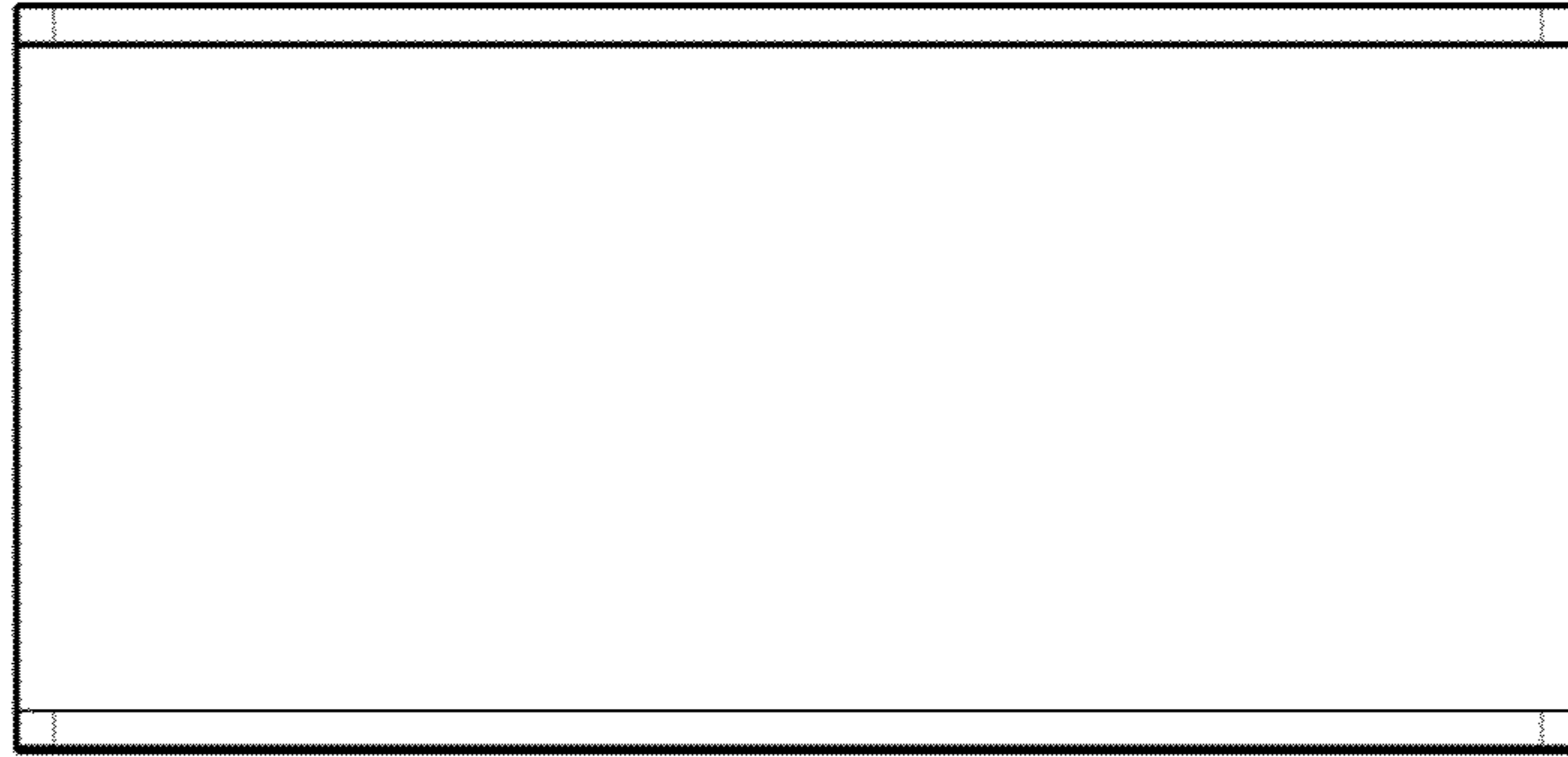


FIGURE 18

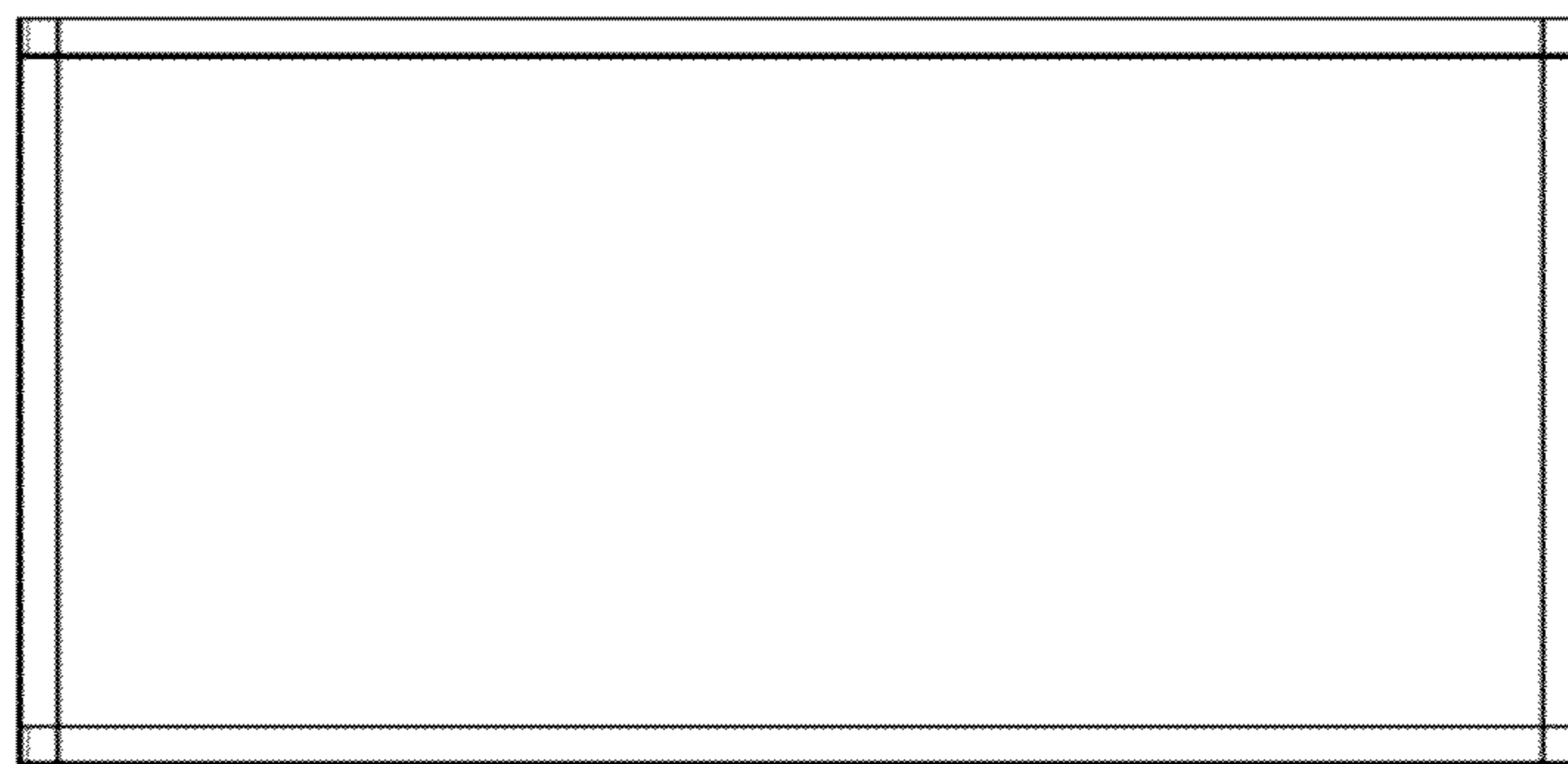


FIGURE 19

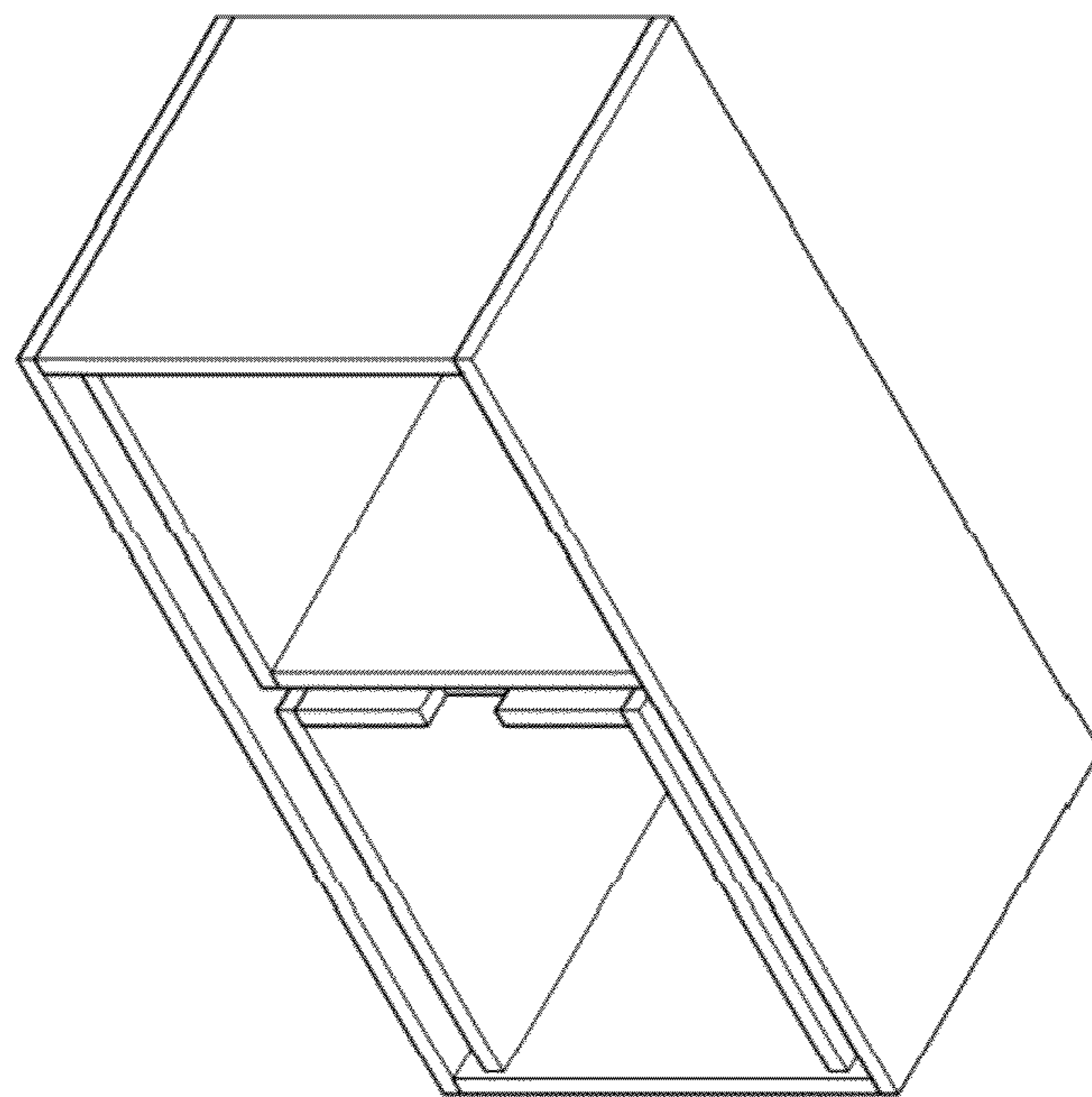


FIGURE 20

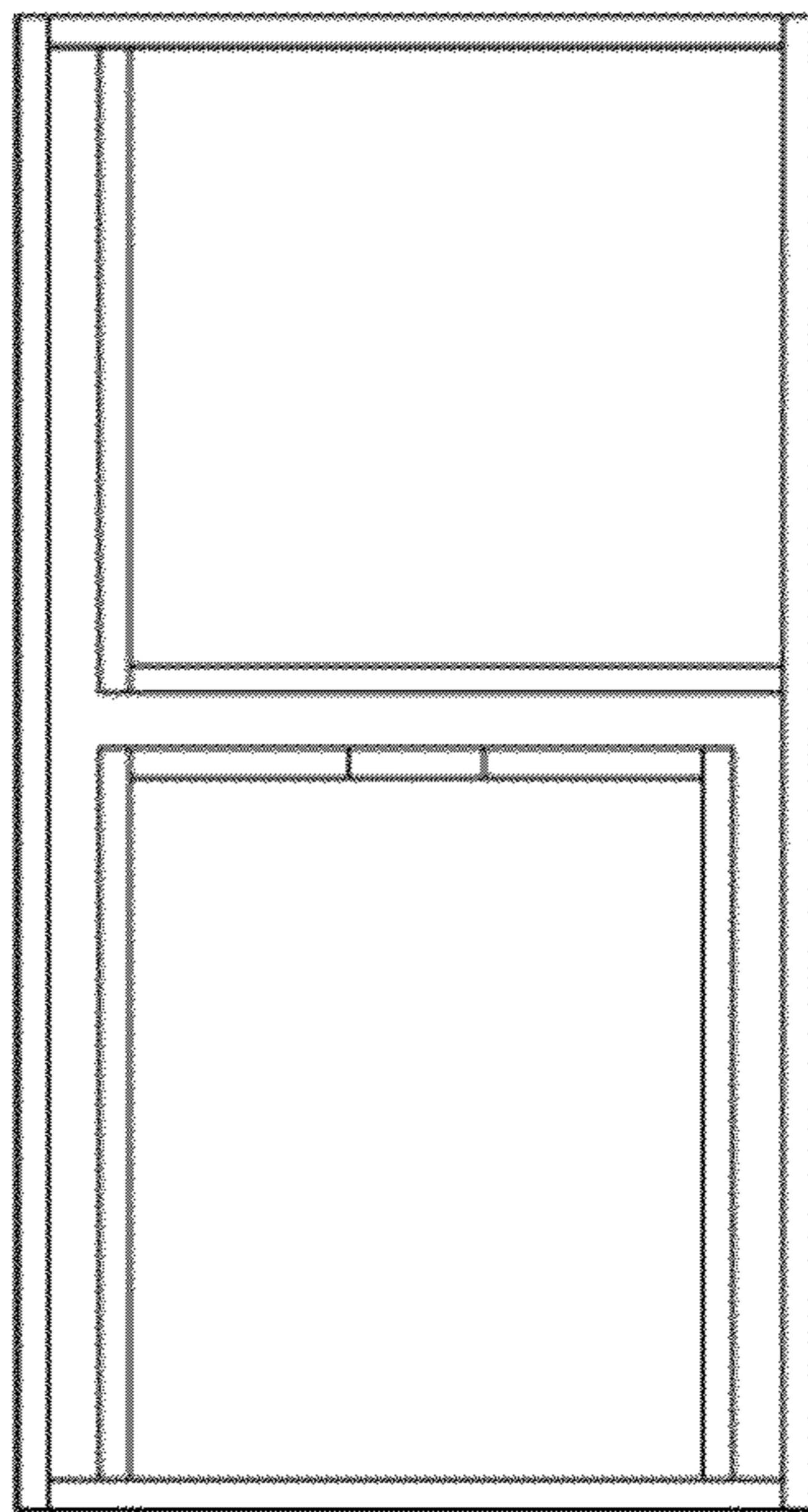


FIGURE 21

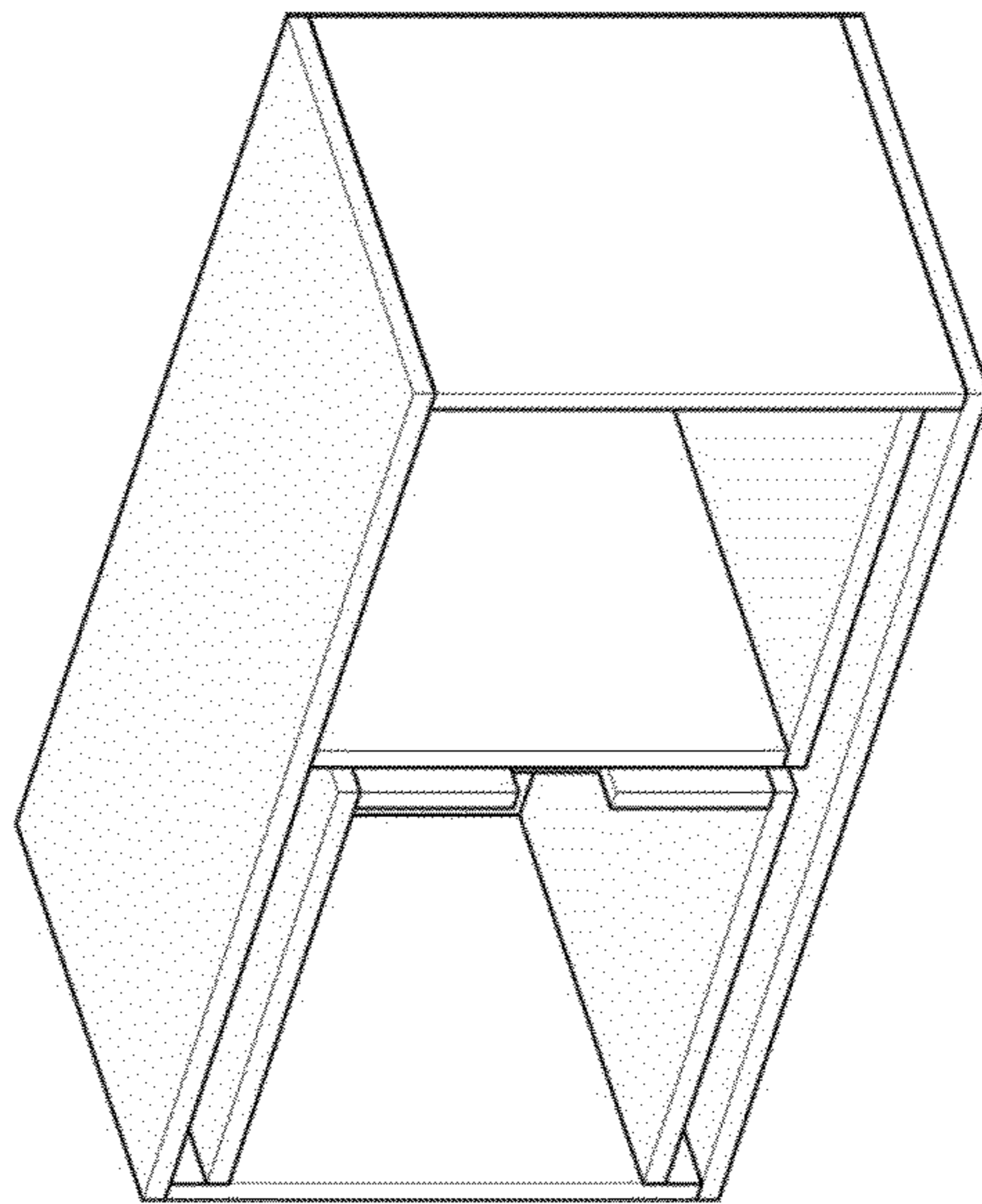


FIGURE 22

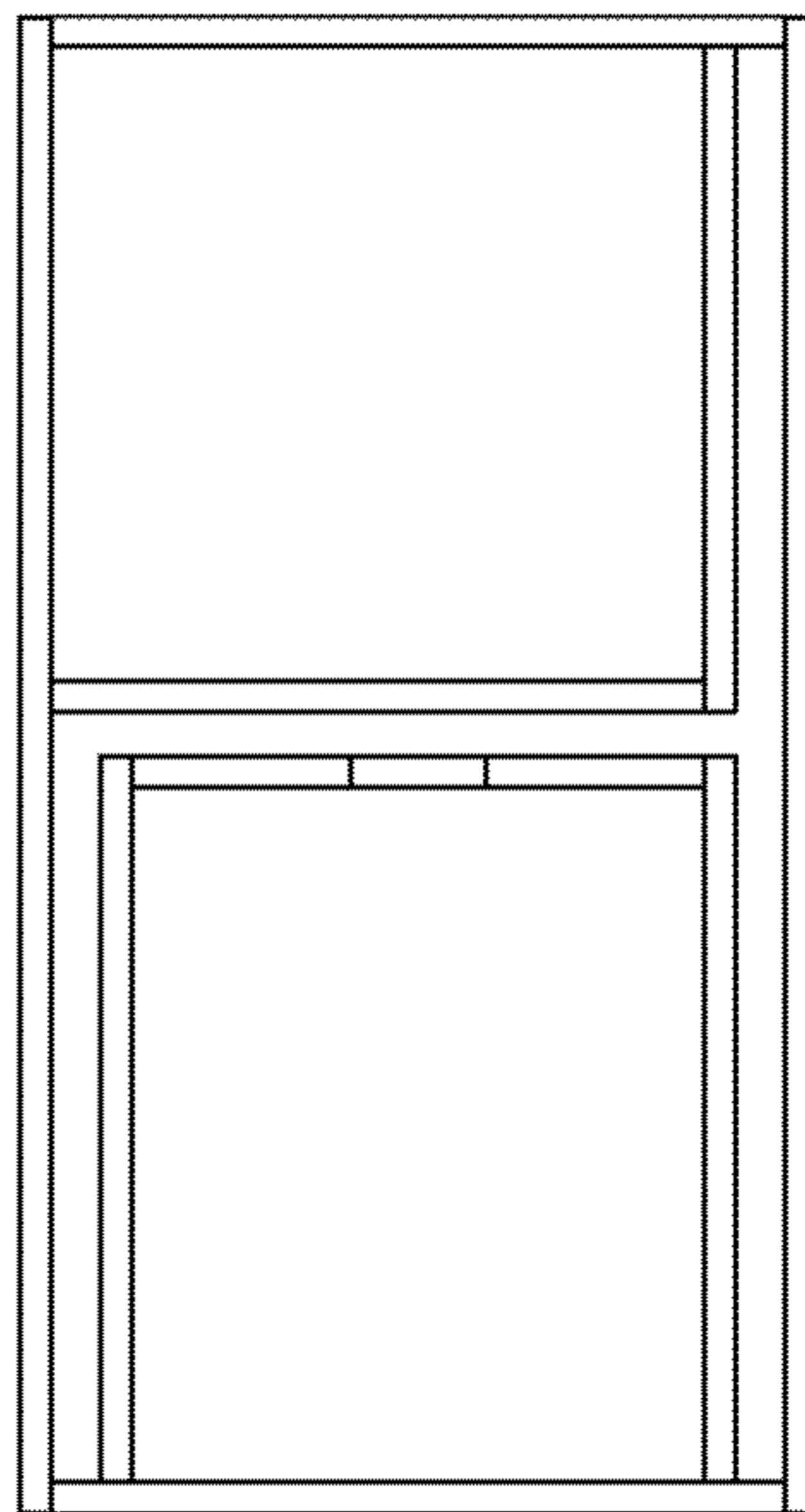


FIGURE 23

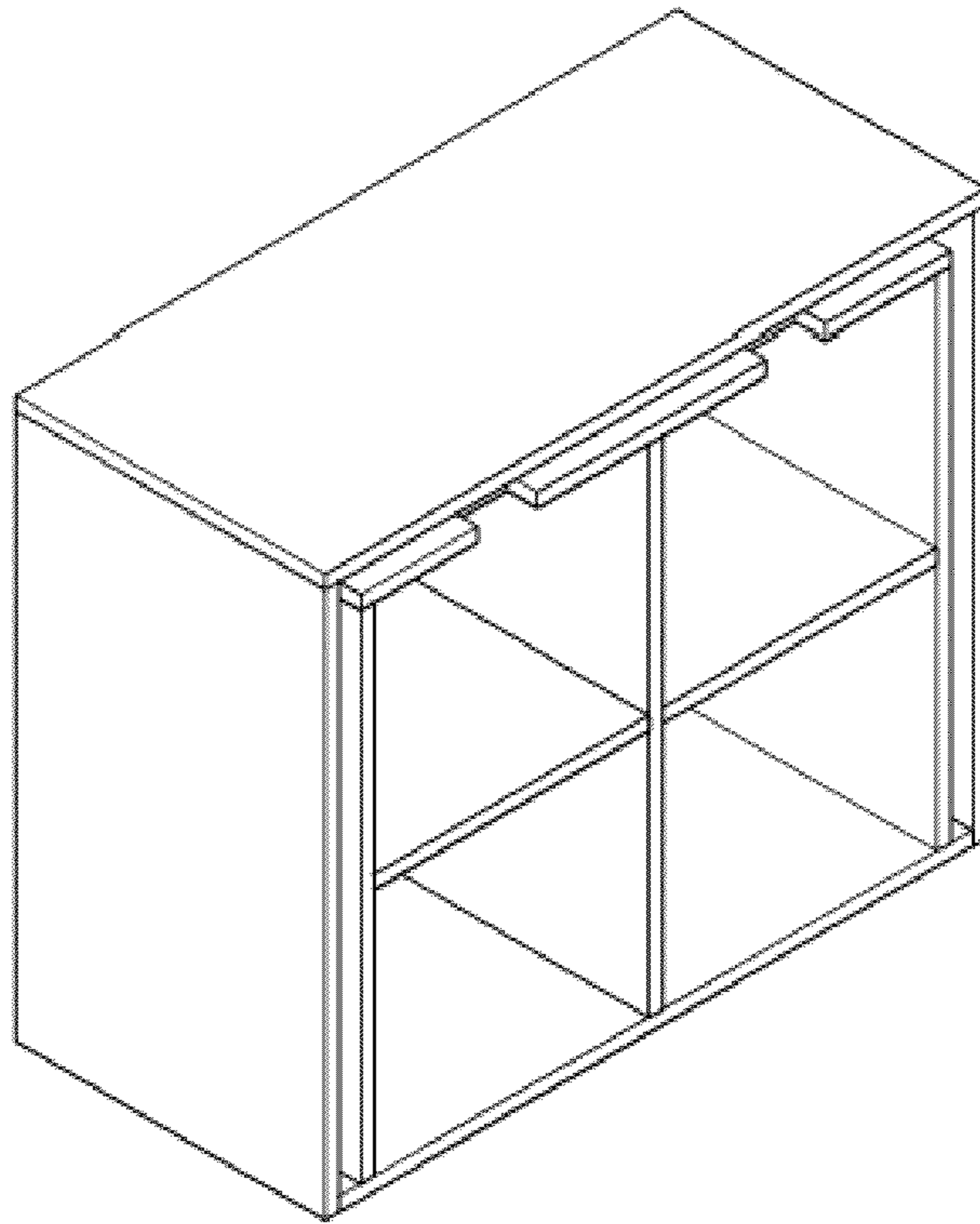


FIGURE 24

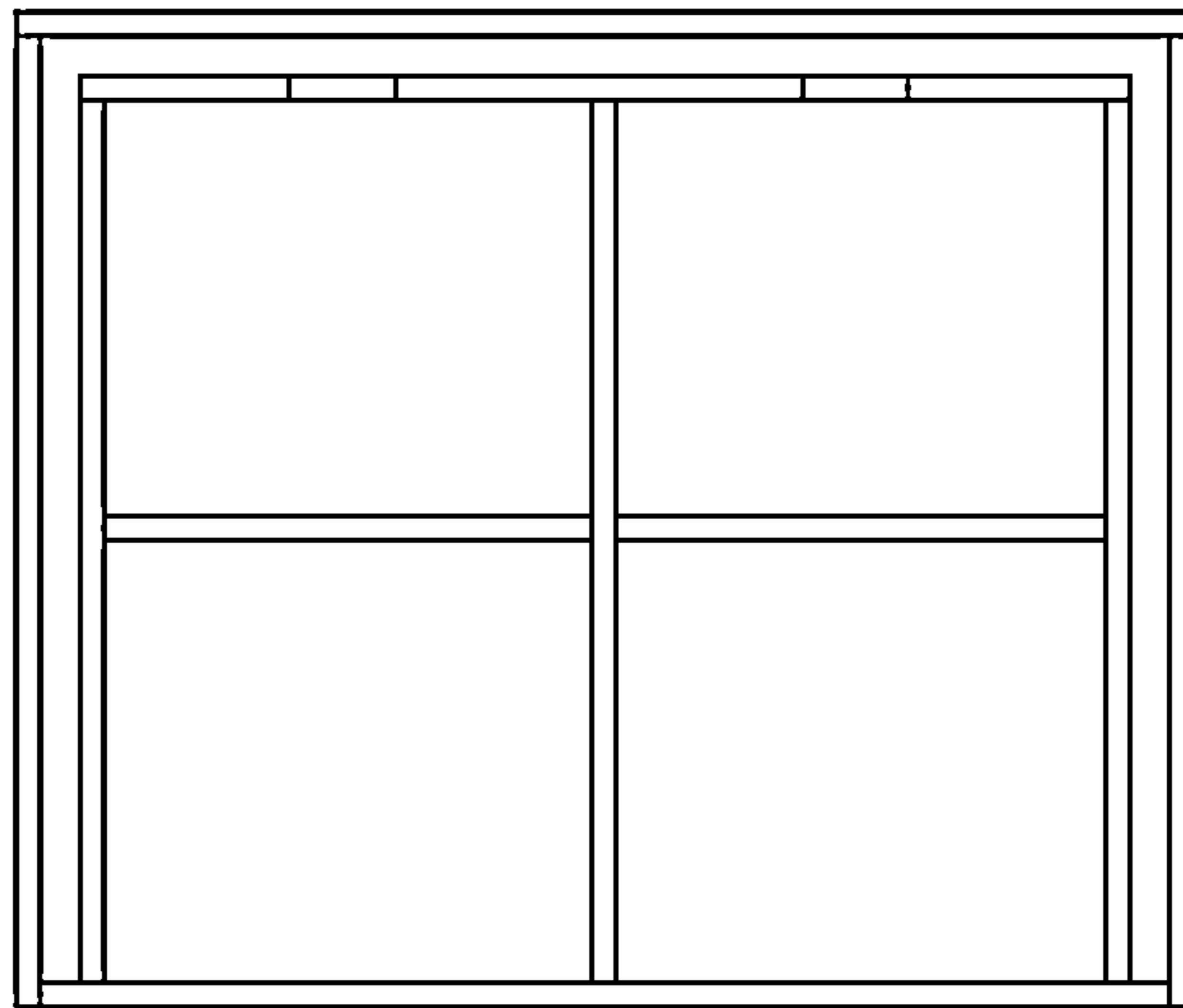


FIGURE 25