



US00D725912S

(12) **United States Design Patent**
Sims et al.

(10) **Patent No.:** **US D725,912 S**
(45) **Date of Patent:** **** Apr. 7, 2015**

- (54) **BRUSH**
- (71) Applicant: **The Gillette Company**, Boston, MA (US)
- (72) Inventors: **Daniel Jerome Sims**, Brookline, MA (US); **David Scott Whetstone**, San Francisco, CA (US)
- (73) Assignee: **The Gillette Company**, Boston, MA (US)
- (**) Term: **14 Years**
- (21) Appl. No.: **29/504,533**
- (22) Filed: **Oct. 7, 2014**
- (51) **LOC (10) Cl.** **04-02**
- (52) **U.S. Cl.**
USPC **D4/127; D4/138**
- (58) **Field of Classification Search**
CPC A46B 9/00; A46B 9/021; A46B 2200/00; A46B 2200/10; A46B 2200/1033; A46B 2200/1046; A46B 3/00; A46B 3/02; A46B 5/02; A46B 5/021; A46B 5/023; A46B 5/025; A45D 27/04; A45D 40/262; A45D 2200/109; B25G 1/101; B25G 1/102; B25G 1/107
USPC D4/127, 135, 138; D8/83, 107; 15/143.1, 191.1-193; 132/289, 290, 132/298, 313, 317, 320
See application file for complete search history.

(56) **References Cited**

U.S. PATENT DOCUMENTS

- 1,674,972 A * 6/1928 Kendric et al. 401/270
- D75,892 S * 7/1928 Albright, Jr. D4/127
- D83,190 S * 2/1931 Denton D4/127

- 1,810,544 A 6/1931 Trupiano
- 1,909,146 A 5/1933 Bohanan
- 2,681,462 A 6/1954 Turnes
- D564,232 S 3/2008 Schulz
- D677,060 S * 3/2013 Floyd et al. D4/127

FOREIGN PATENT DOCUMENTS

SU 884681 A1 * 11/1981

OTHER PUBLICATIONS

Hair-Brushes.Com Shaving Brushes—Item Nos. SB-002 & SB-006 [online], Jsiu Beauty Co., Ltd. (China), Nov. 29, 2006, [retrieved on Jan. 10, 2015]. Retrieved from the Internet using Internet Archive: <URL: http://web.archive.org/web/*/http://www.hair-brushes.com>.*

* cited by examiner

Primary Examiner — Melanie H Tung

Assistant Examiner — Lavone D Tabor

(74) *Attorney, Agent, or Firm* — Kevin C. Johnson; Steven W. Miller

(57) **CLAIM**

The ornamental design for a brush, as shown and described.

DESCRIPTION

FIG. 1 is a perspective view of a brush of the present invention;

FIG. 2 is a front view thereof;

FIG. 3 is a rear view thereof;

FIG. 4 is a right side view thereof;

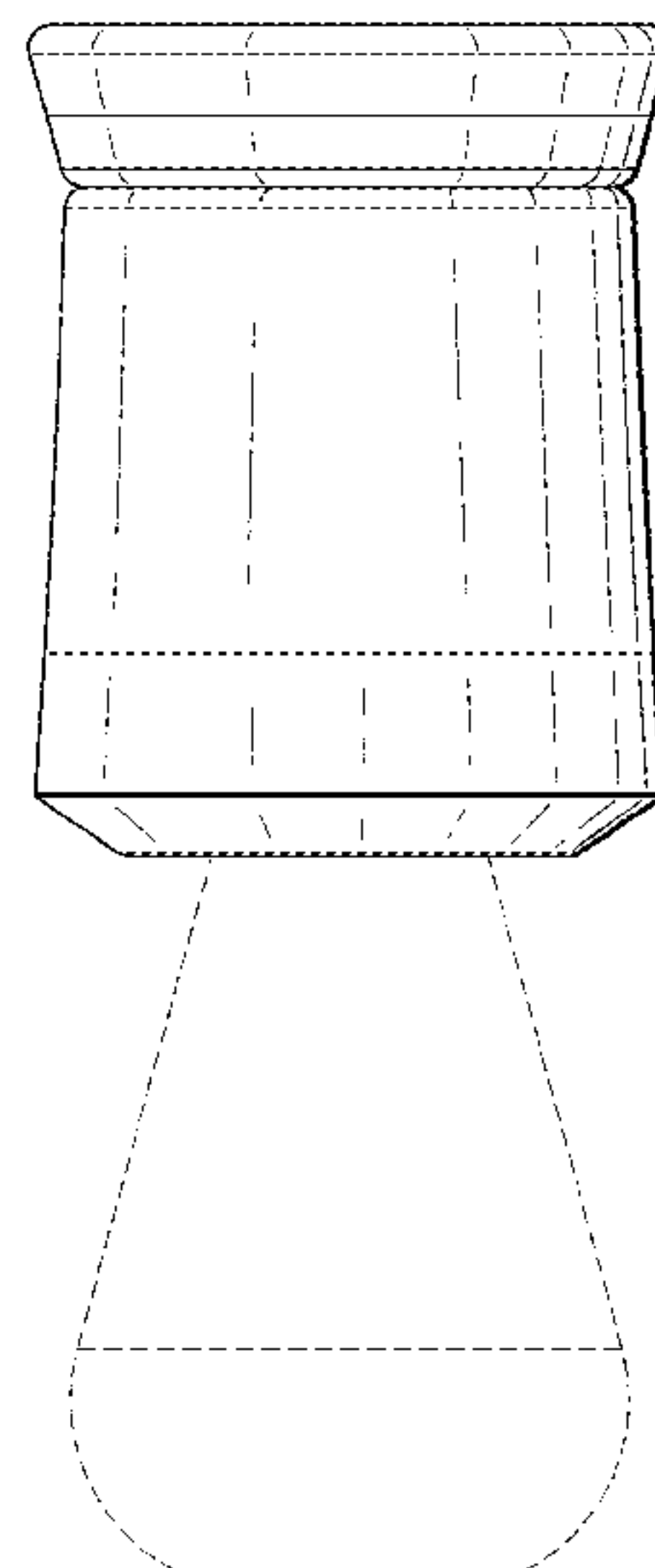
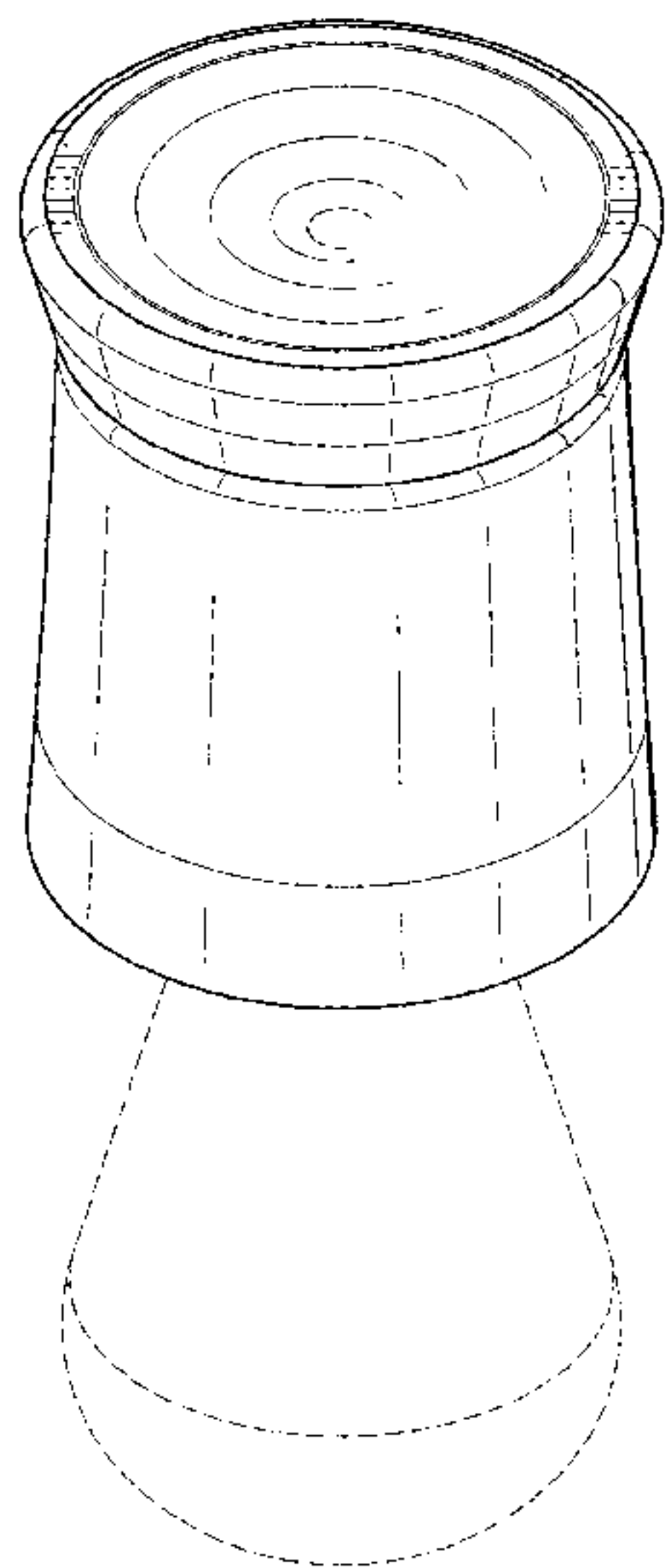
FIG. 5 is a left side view thereof;

FIG. 6 is a top view thereof; and,

FIG. 7 is a bottom view thereof.

The broken lines are shown for illustrative purposes only and form no part of the claimed design.

1 Claim, 4 Drawing Sheets



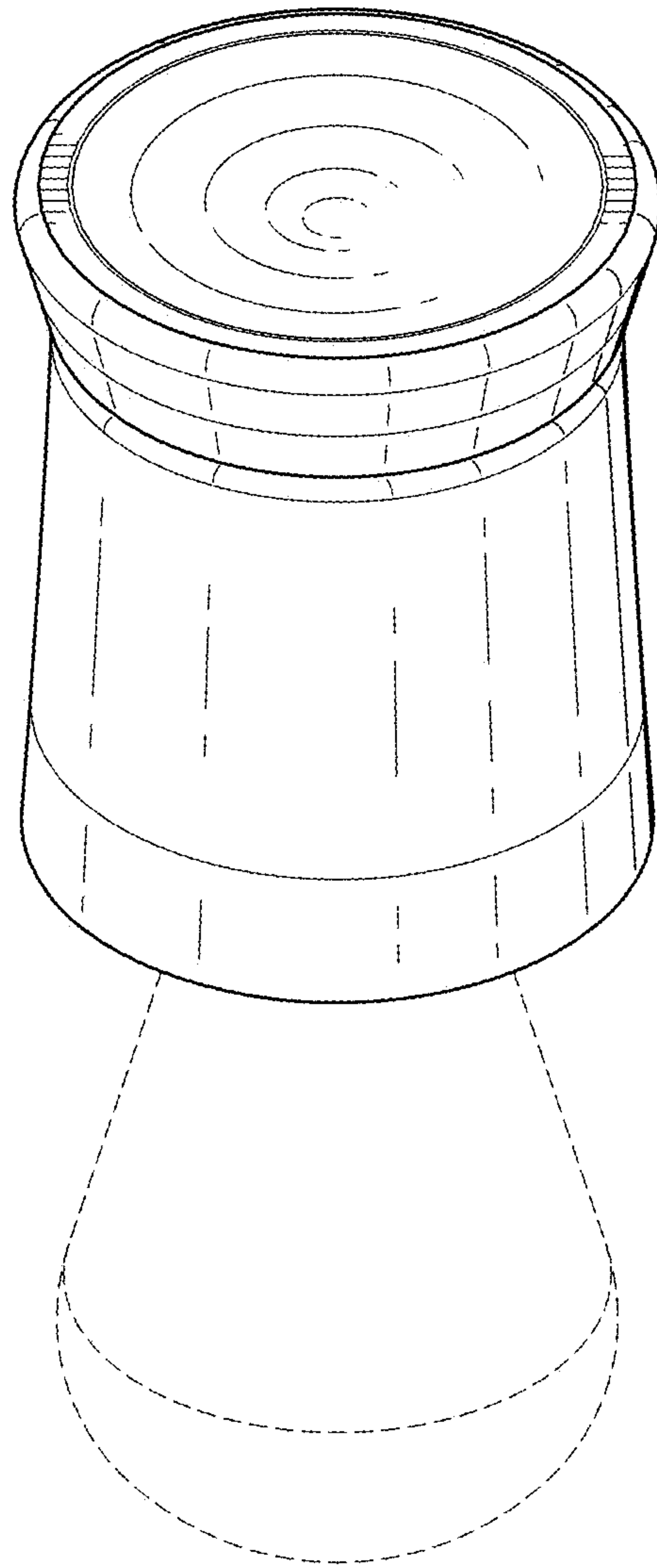


FIG. 1

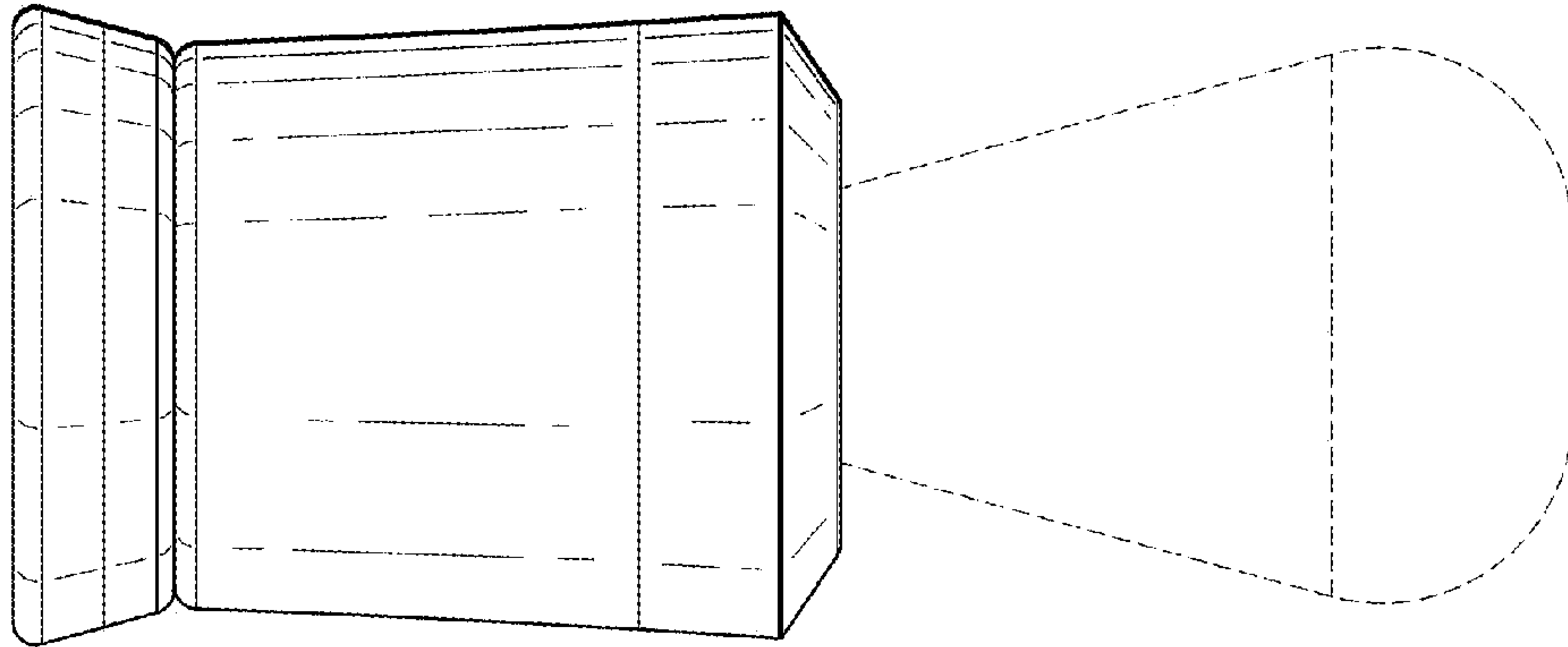


FIG. 3

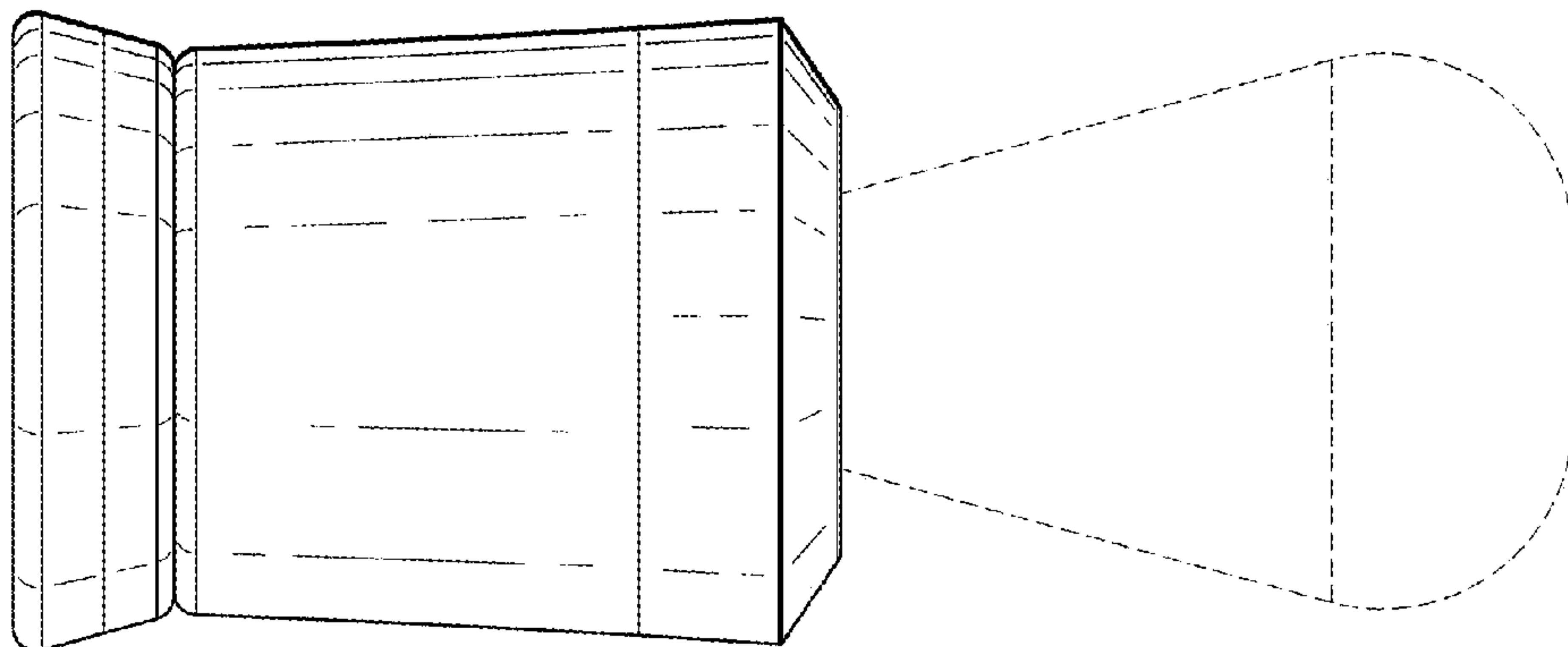


FIG. 2

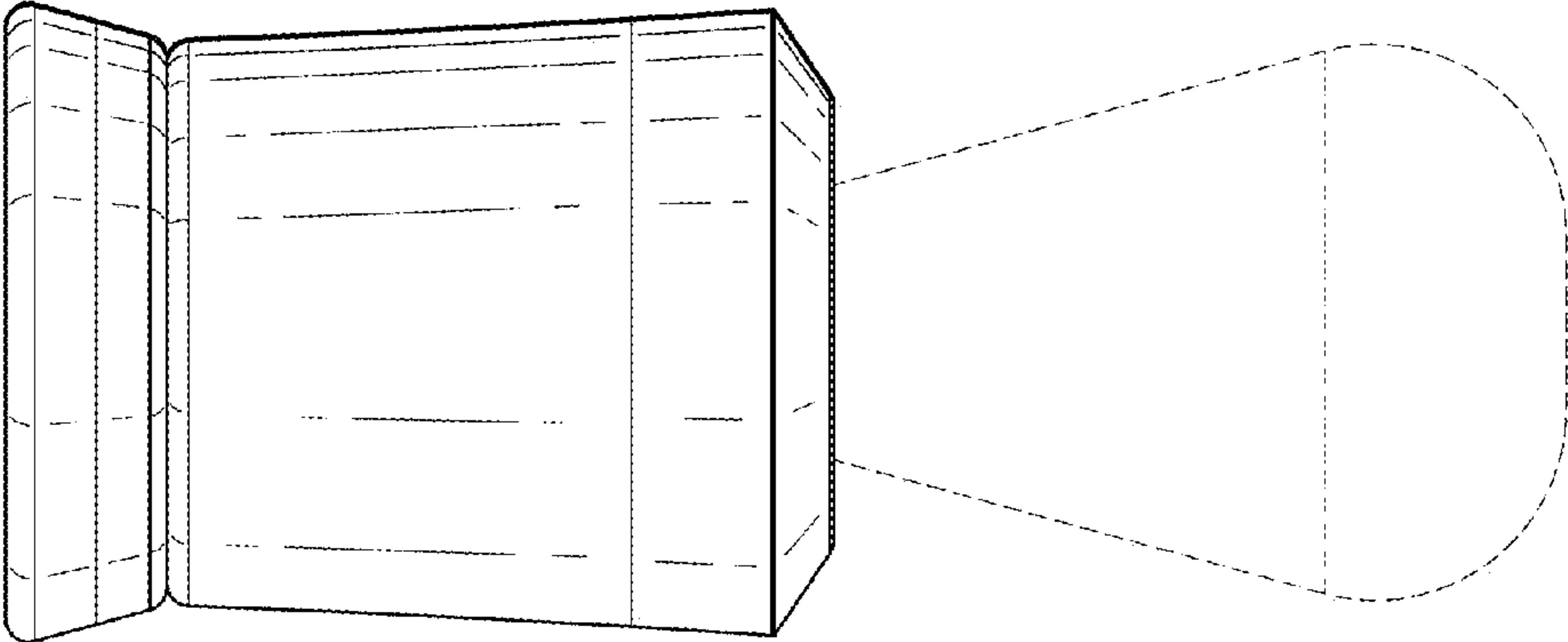


FIG. 5

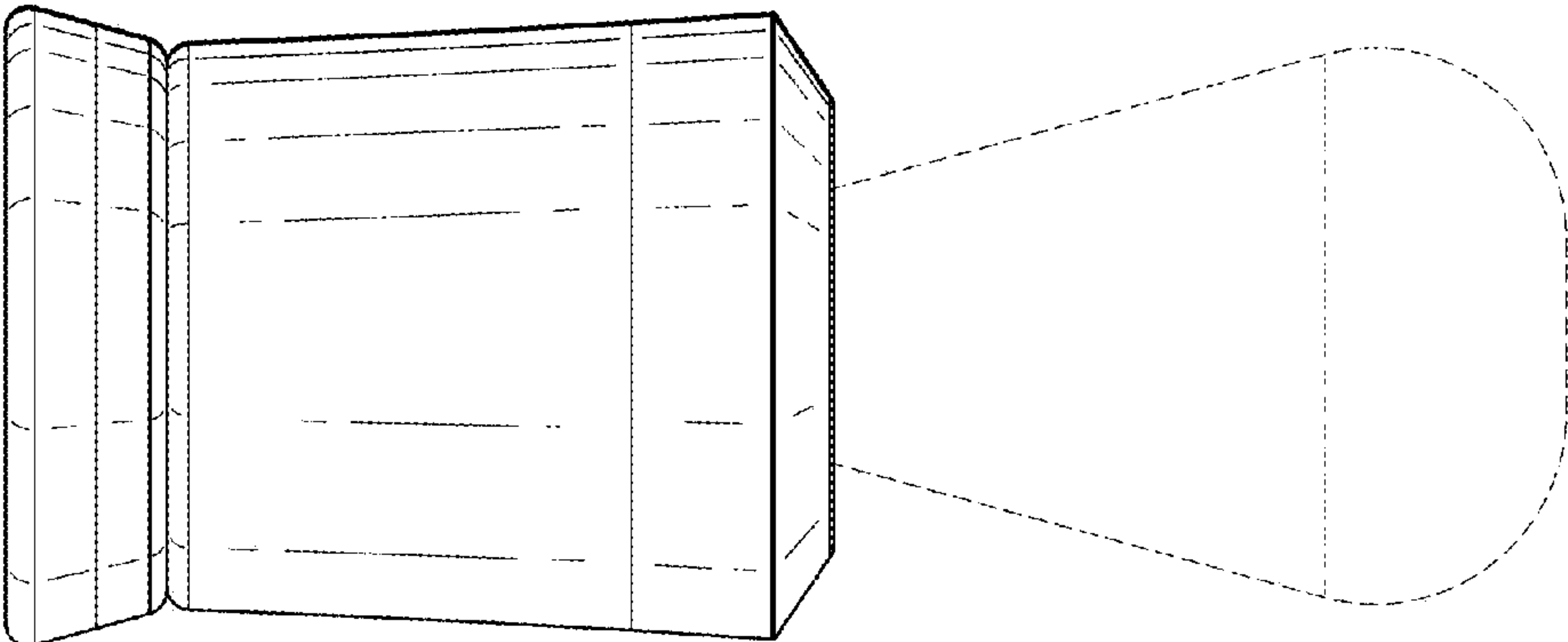


FIG. 4

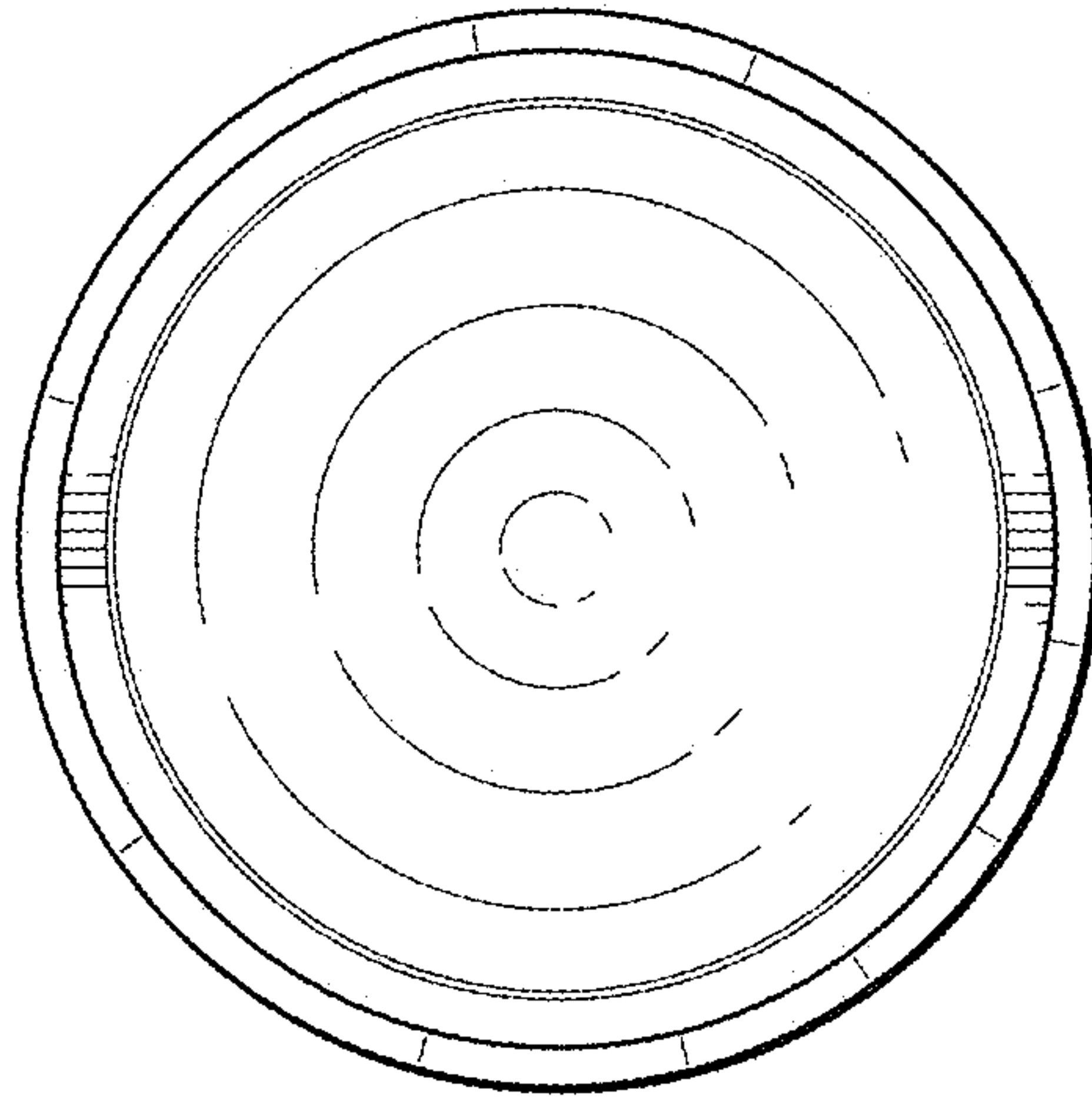


FIG. 6

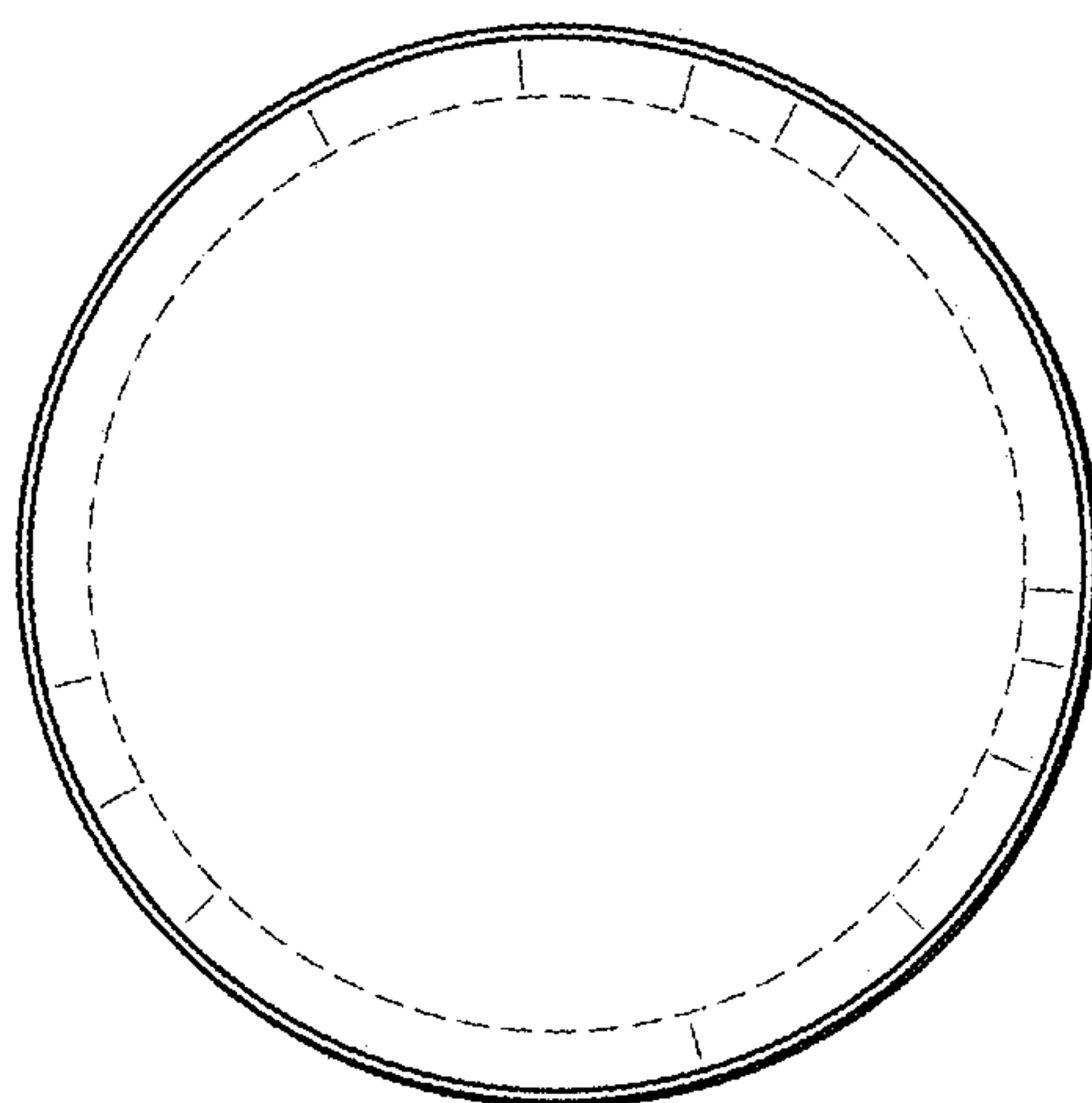


FIG. 7