



US00D725911S

(12) **United States Design Patent**
McManus et al.

(10) **Patent No.:** **US D725,911 S**
(45) **Date of Patent:** **** Apr. 7, 2015**

(54) **CADDIE APPARATUS WITH INTEGRATED DISPLAY**

(71) Applicants: **John Thomas McManus**, Alpharetta, GA (US); **Paul Byrd**, Milton, GA (US)

(72) Inventors: **John Thomas McManus**, Alpharetta, GA (US); **Paul Byrd**, Milton, GA (US)

(73) Assignee: **Media Caddy, LLC**, Alpharetta, GA (US)

(**) Term: **14 Years**

(21) Appl. No.: **29/466,961**

(22) Filed: **Sep. 13, 2013**

Related U.S. Application Data

(63) Continuation-in-part of application No. 13/029,192, filed on Feb. 17, 2011.

(51) **LOC (10) Cl.** **03-02**

(52) **U.S. Cl.**
USPC **D3/315**

(58) **Field of Classification Search**
USPC D3/315-317, 303, 304, 265, 307, 308, D3/310, 313; D7/600; D11/148; 220/500, 220/659, 533, 552; 206/216; D6/574, 705; D19/85; D14/125, 126, 129
See application file for complete search history.

(56) **References Cited**

U.S. PATENT DOCUMENTS

4,577,773 A * 3/1986 Bitel 220/533
D490,259 S * 5/2004 Schumann et al. D6/510

7,588,162 B2 * 9/2009 Dube et al. 220/552
D628,800 S * 12/2010 Rees et al. D3/304
D640,489 S * 6/2011 Tuholski D6/574
D651,801 S * 1/2012 Brown D3/304
D674,191 S * 1/2013 Sakaguchi D3/315
D681,119 S * 4/2013 Stravitz D19/85

OTHER PUBLICATIONS

Photographs of Applicant's prior version of the product, which was first introduced to the public on or about Feb. 23, 2011.

* cited by examiner

Primary Examiner — Ian Simmons

Assistant Examiner — Charles Hanson

(74) *Attorney, Agent, or Firm* — McClure, Qualey & Rodack, LLP

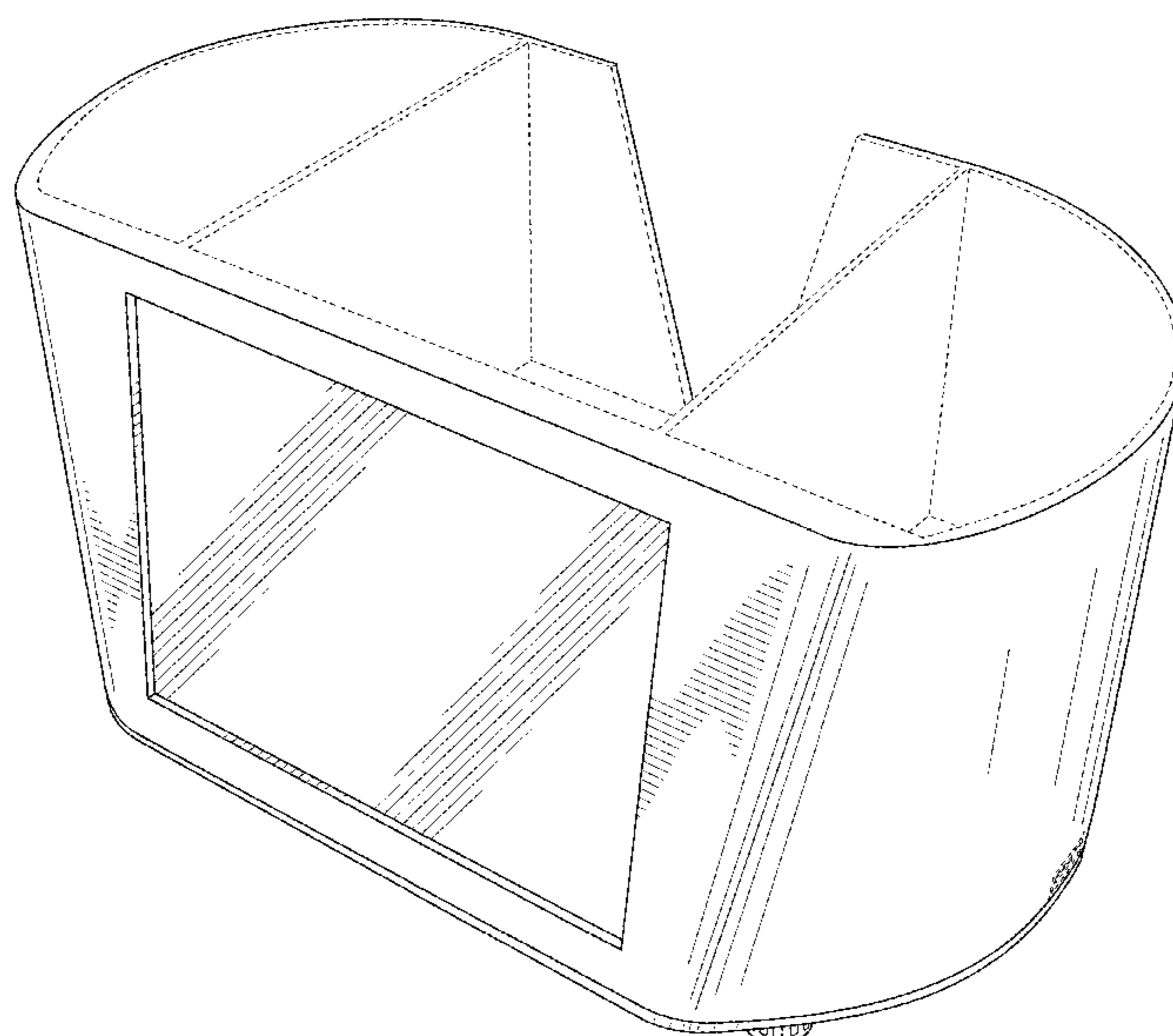
(57) **CLAIM**

The ornamental design for a caddie apparatus with integrated display, as shown and described.

DESCRIPTION

FIG. 1 is a perspective view of a caddie apparatus with integrated display showing the claimed design;
FIG. 2 is a front view thereof;
FIG. 3 is a rear view thereof;
FIG. 4 is a right side view thereof;
FIG. 5 is a left side view thereof;
FIG. 6 is a top view thereof; and,
FIG. 7 is a bottom view thereof.
The broken line showing is included for the purpose of illustrating environment and forms no part of the claimed design.

1 Claim, 6 Drawing Sheets



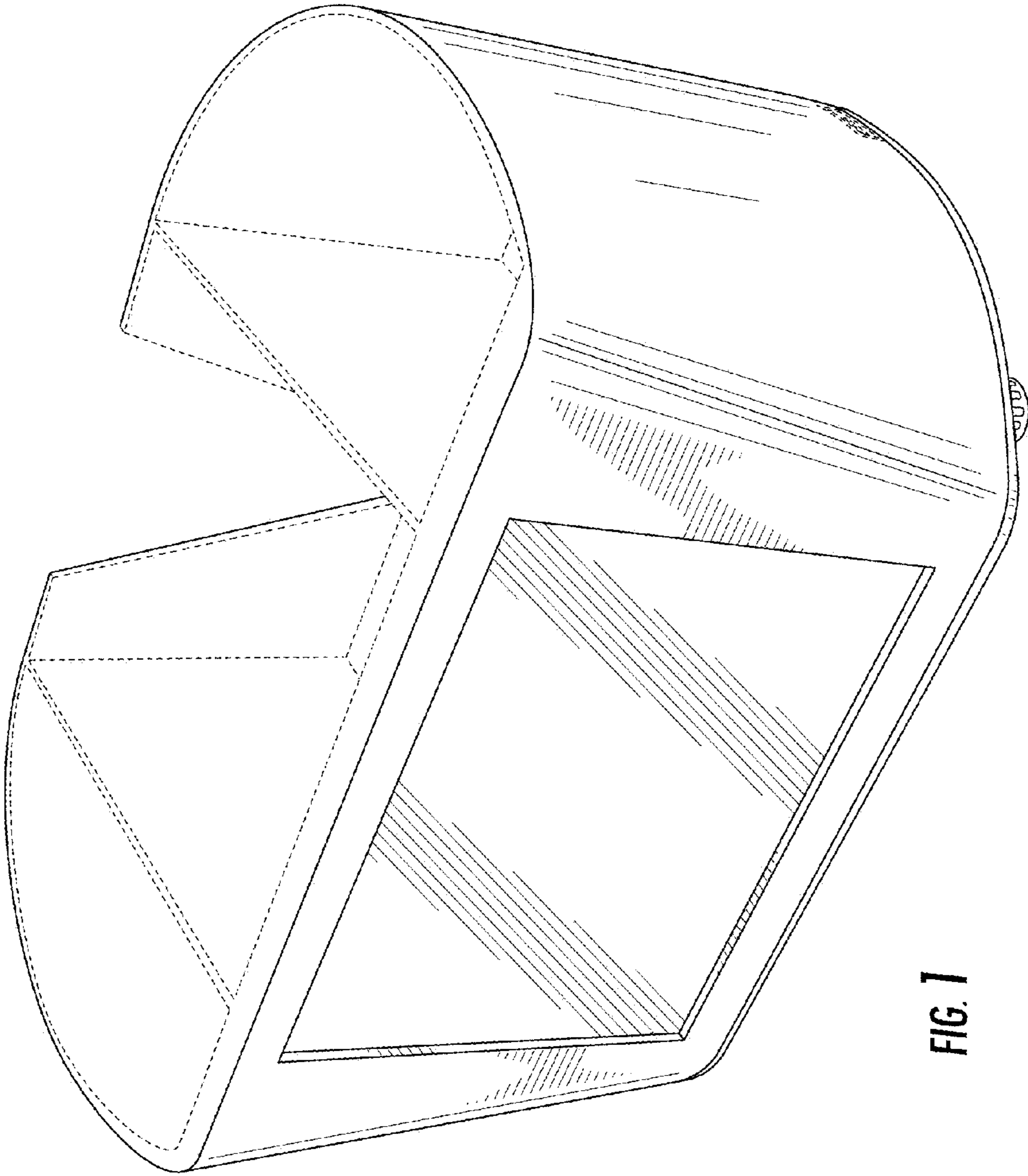


FIG. 1

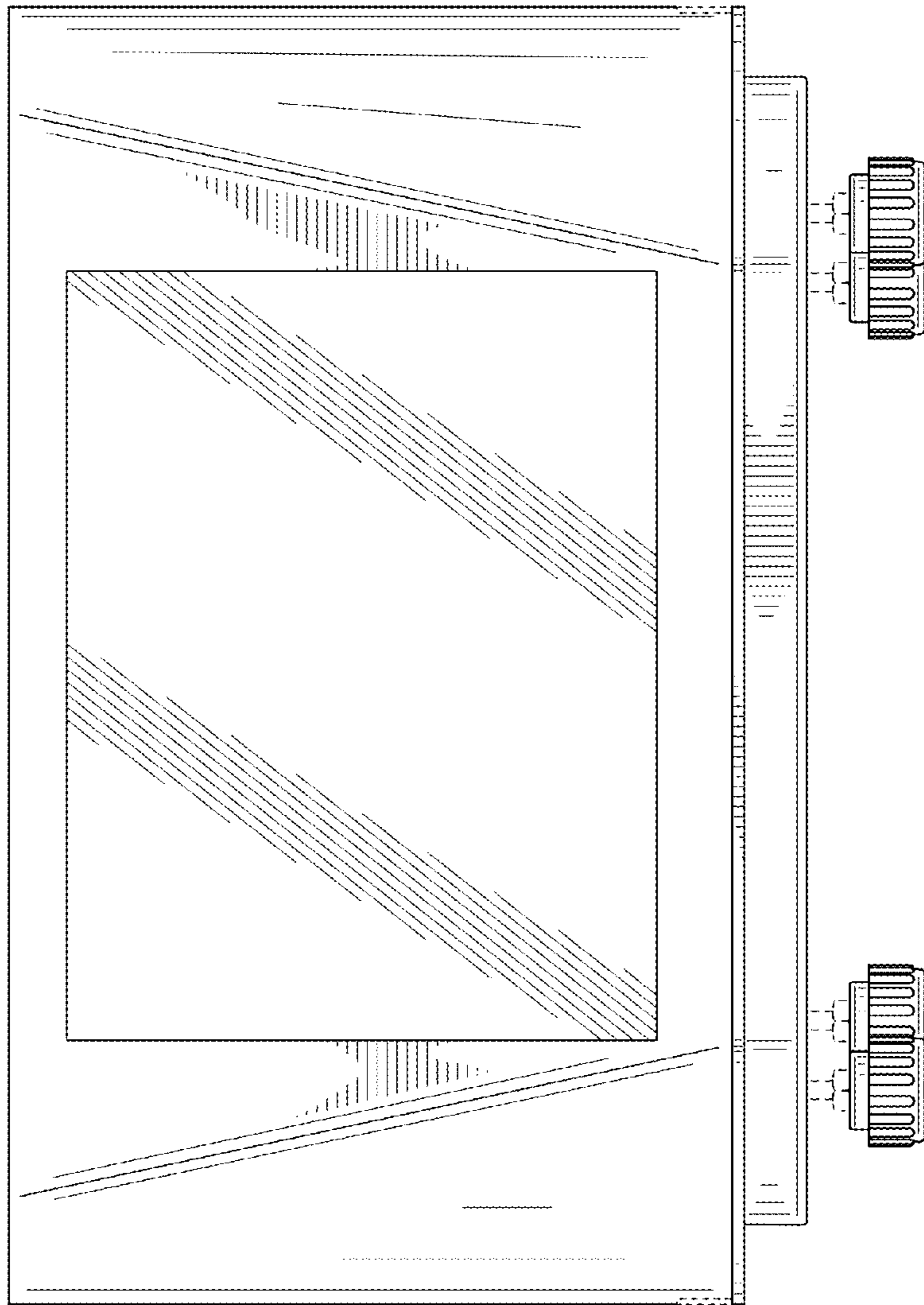


FIG. 2

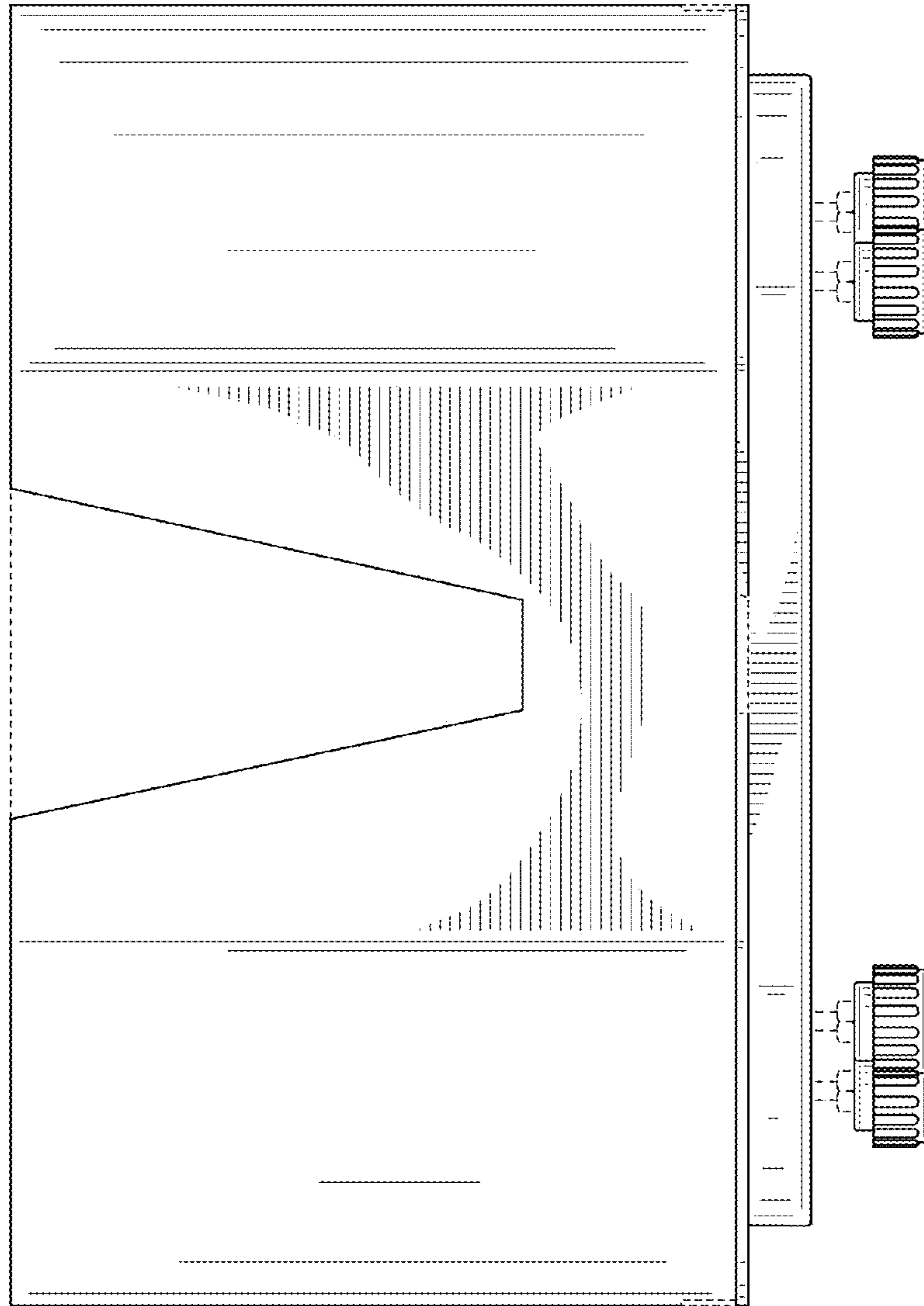


FIG. 3

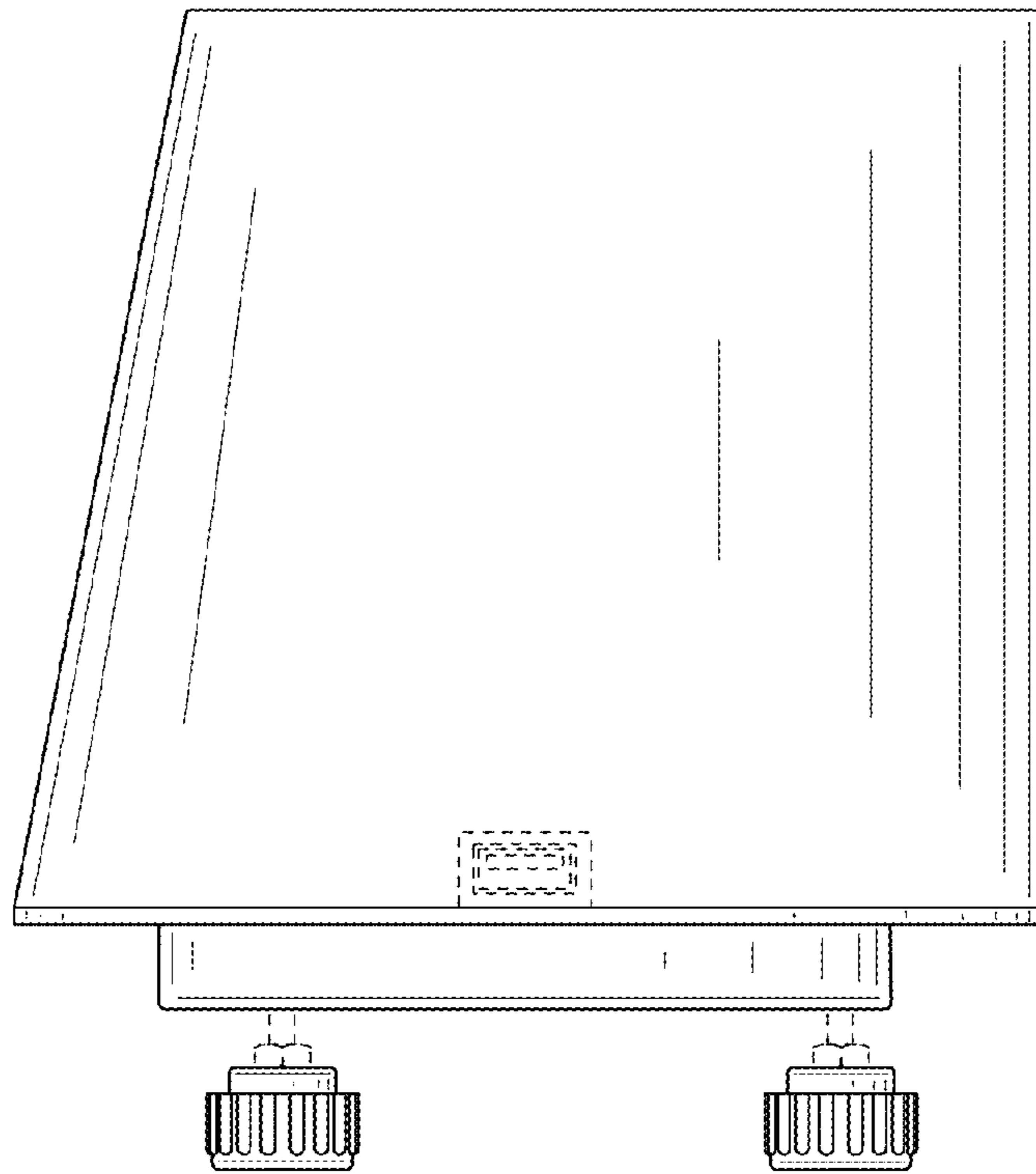


FIG. 4

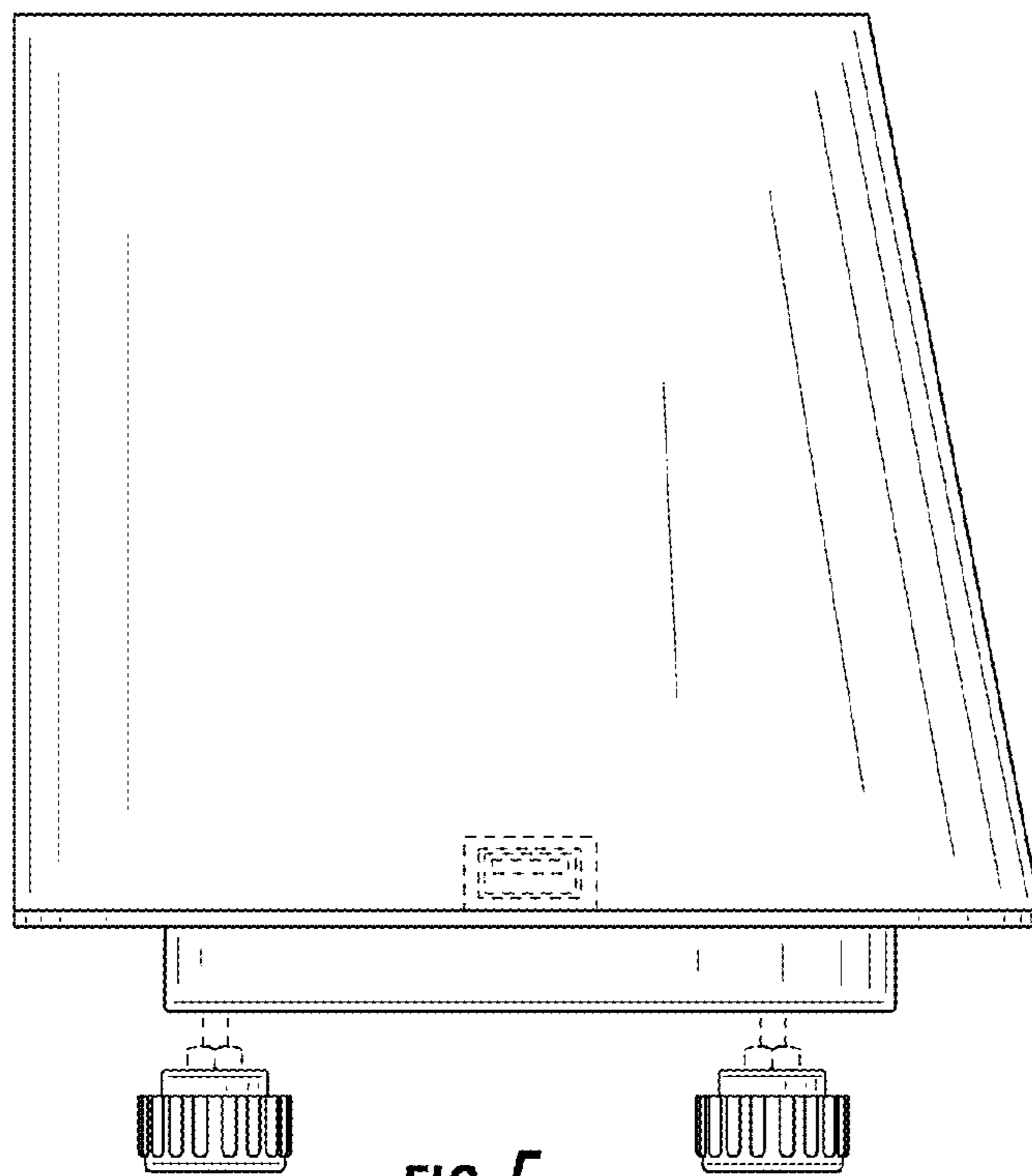


FIG. 5

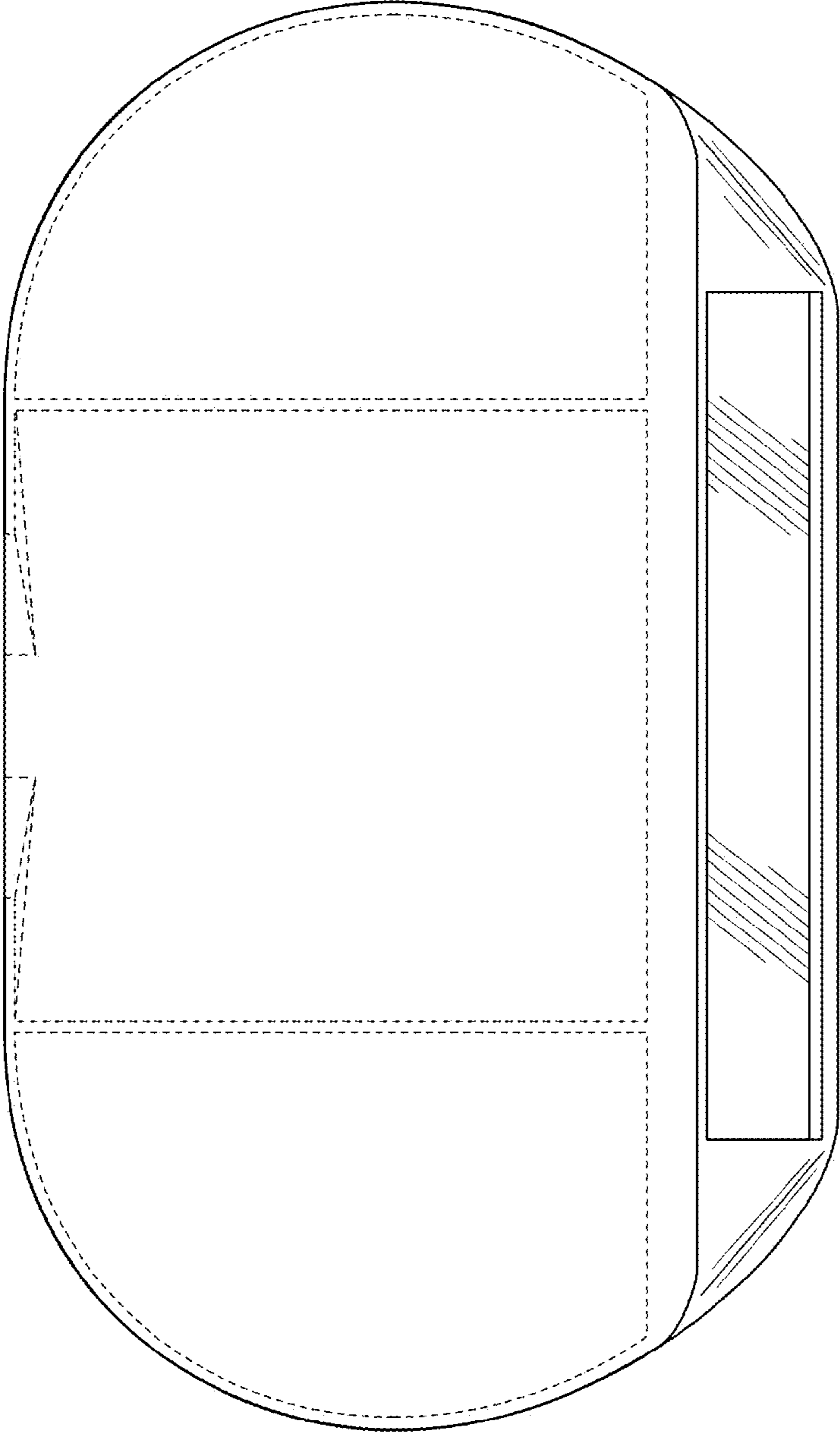


FIG. 6

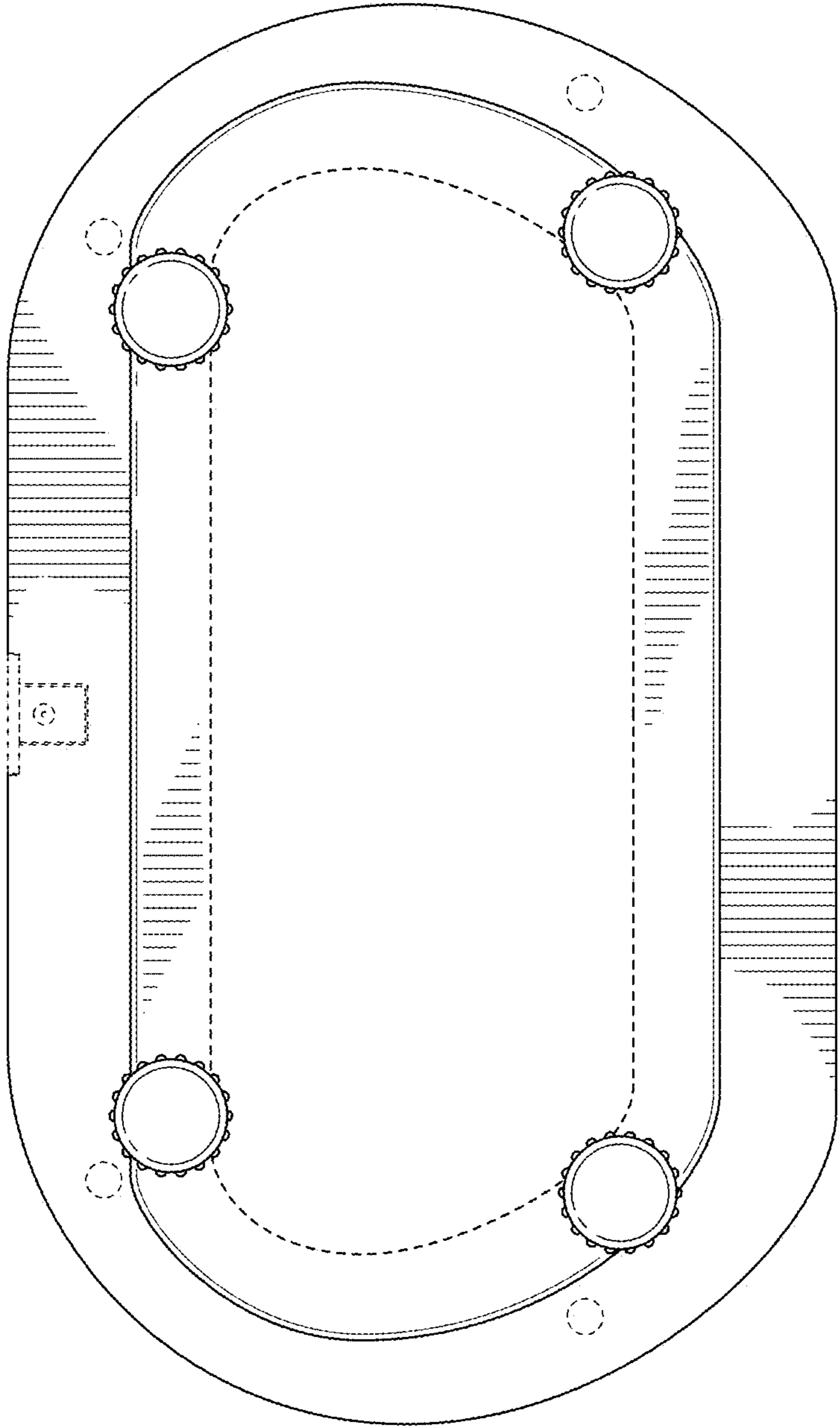


FIG. 7