



US00D725910S

(12) **United States Design Patent**  
**Sampaio**

(10) **Patent No.:** **US D725,910 S**  
(45) **Date of Patent:** **\*\* Apr. 7, 2015**

(54) **COMBINED CADDY WITH REMOVABLE MINI CADDY TOTE**

(75) Inventor: **Andre Sampaio**, Valley Cottage, NY (US)

(73) Assignee: **Casabella Holdings, LLC**, Congers, NY (US)

(\*\*) Term: **14 Years**

(21) Appl. No.: **29/413,698**

(22) Filed: **Feb. 17, 2012**

**Related U.S. Application Data**

(62) Division of application No. 13/372,295, filed on Feb. 13, 2012, now Pat. No. 8,636,169.

(51) **LOC (10) Cl.** ..... **03-02**

(52) **U.S. Cl.**  
USPC ..... **D3/315**

(58) **Field of Classification Search**  
USPC ..... D3/315-317, 303, 304, 265, 307, 308, D3/310, 313; D7/600; D11/148; 220/500, 220/659; 206/216  
See application file for complete search history.

(56) **References Cited**

**U.S. PATENT DOCUMENTS**

D364,039 S \* 11/1995 Kruger ..... D3/315  
D381,562 S \* 7/1997 Westcott ..... D7/600

D420,221 S \* 2/2000 Williams et al. .... D3/315  
6,039,205 A \* 3/2000 Flink ..... 220/659  
D522,751 S \* 6/2006 Irwin et al. .... D3/315  
D537,251 S \* 2/2007 Musgrove ..... D3/307  
D541,531 S \* 5/2007 Leao ..... D3/308  
D575,061 S \* 8/2008 Titas et al. .... D3/304  
D649,786 S \* 12/2011 Lipfert et al. .... D3/308  
D688,589 S \* 8/2013 Hung et al. .... D11/148  
8,636,169 B2 \* 1/2014 Sampaio ..... 220/500  
D704,935 S \* 5/2014 Lintz et al. .... D3/308  
2006/0027469 A1 \* 2/2006 Irwin et al. .... 206/216

\* cited by examiner

*Primary Examiner* — Ian Simmons

*Assistant Examiner* — Charles Hanson

(74) *Attorney, Agent, or Firm* — Curtis, Mallet-Prevost, Colt & Mosle LLP

(57) **CLAIM**

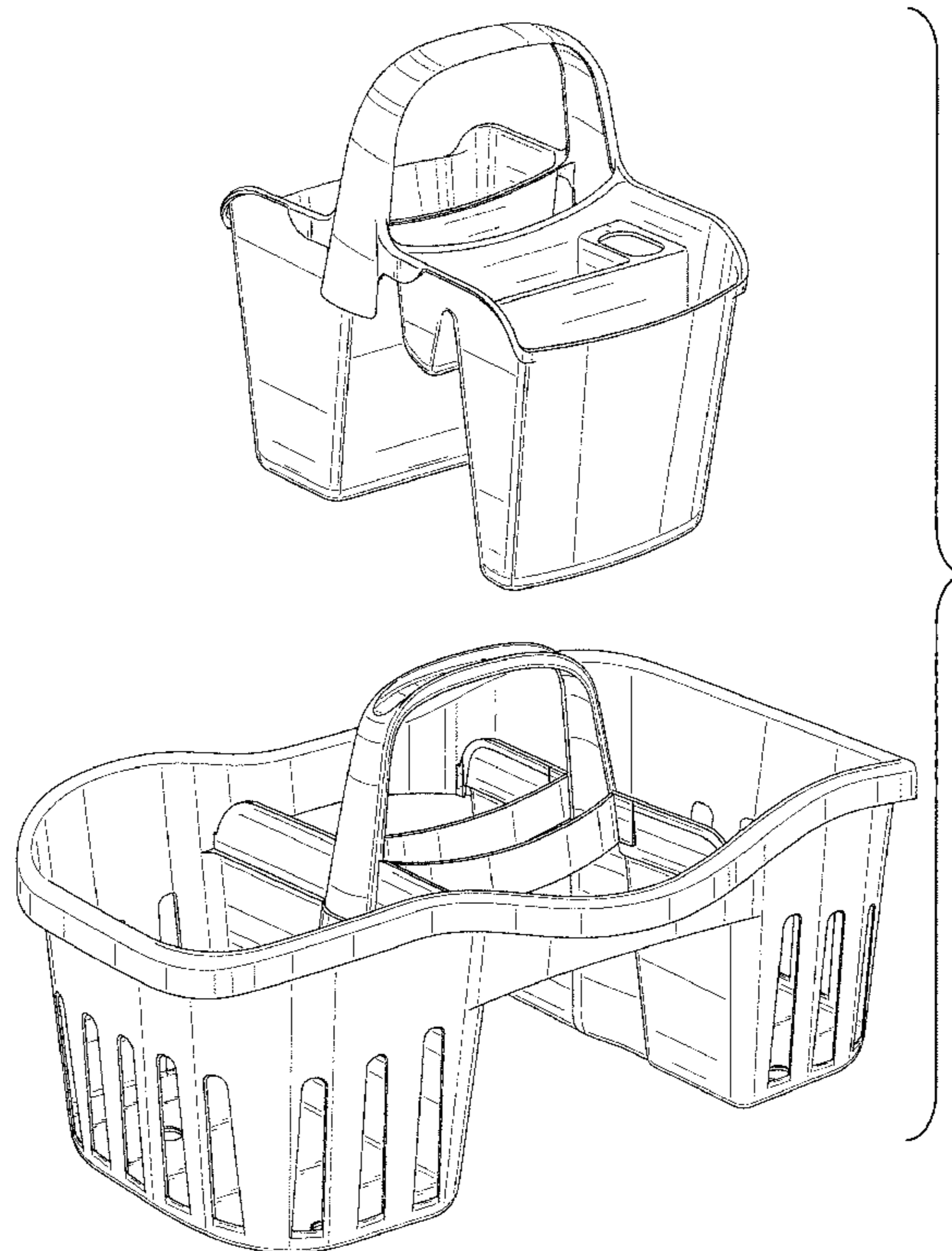
The ornamental design for combined caddy with removable mini caddy tote, as shown and described.

**DESCRIPTION**

FIG. 1 is an exploded perspective view of a combined caddy with removable mini caddy showing my new design  
FIG. 2 is an exploded front view thereof.  
FIG. 3 is an exploded rear view thereof.  
FIG. 4 is an exploded left view thereof.  
FIG. 5 is an exploded right view thereof.  
FIG. 6 is a top view thereof; and,  
FIG. 7 is a bottom view thereof.

The broken line showing is included for the purpose of illustrating environment and forms no part of the claimed design.

**1 Claim, 6 Drawing Sheets**



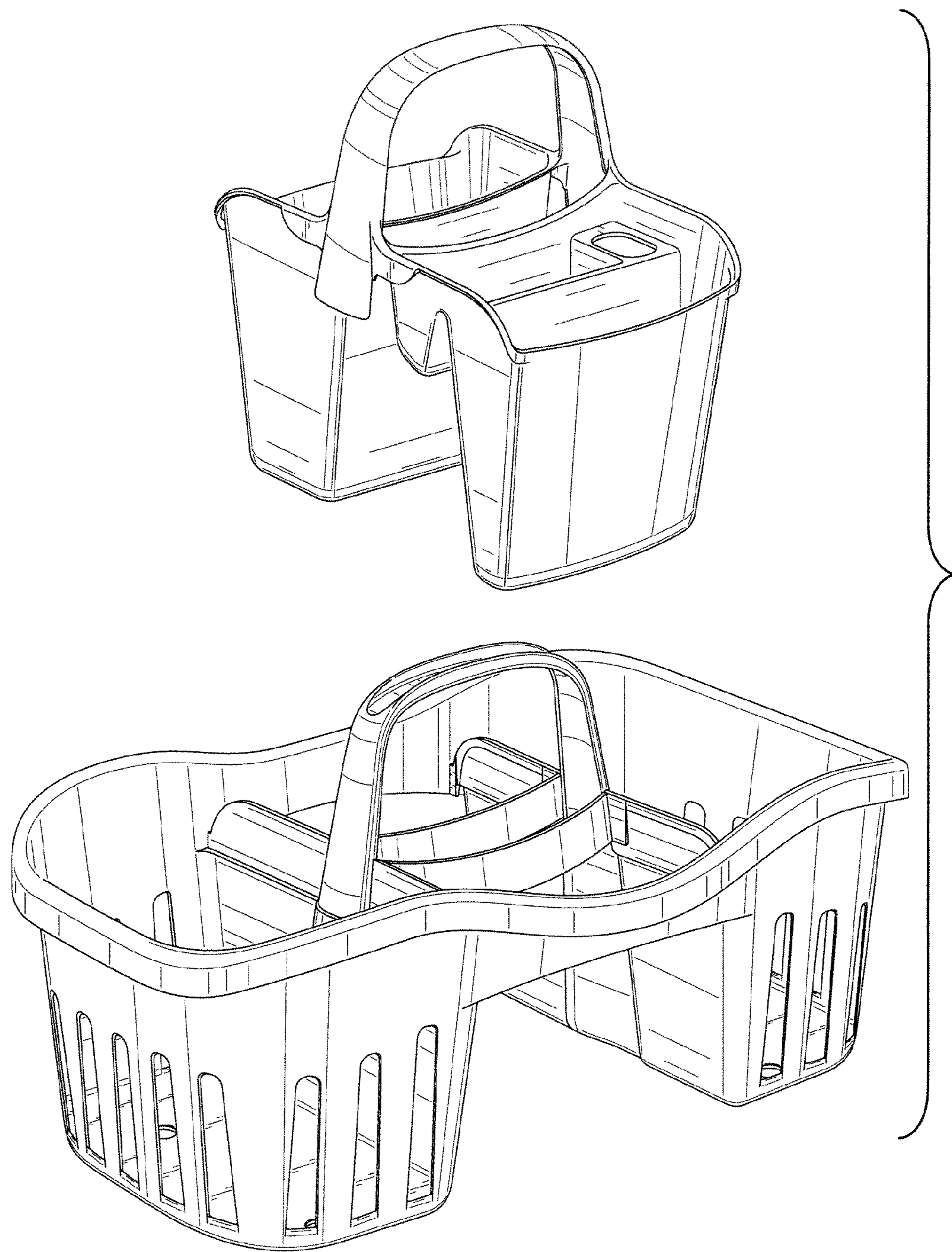


FIG. 1

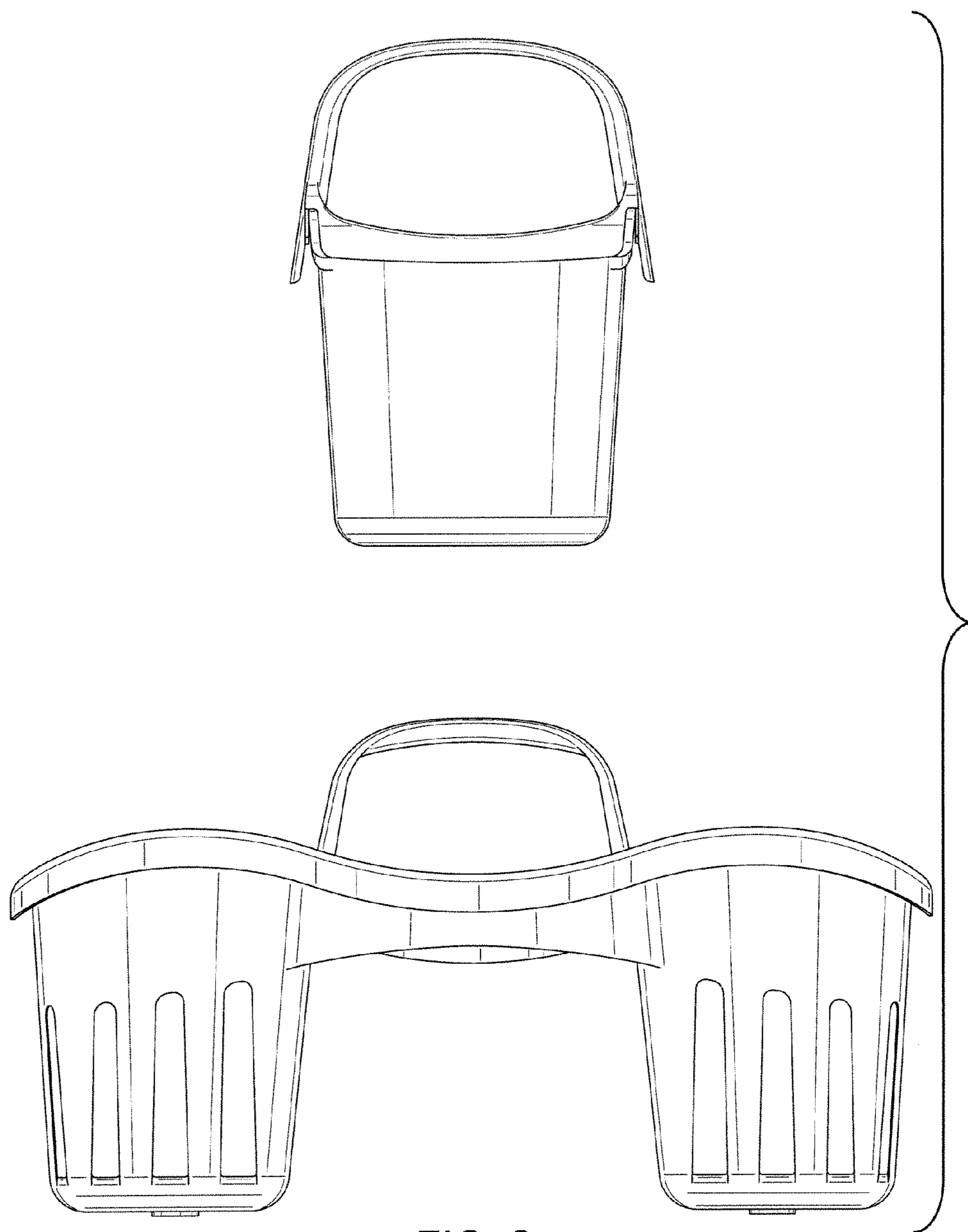


FIG. 2

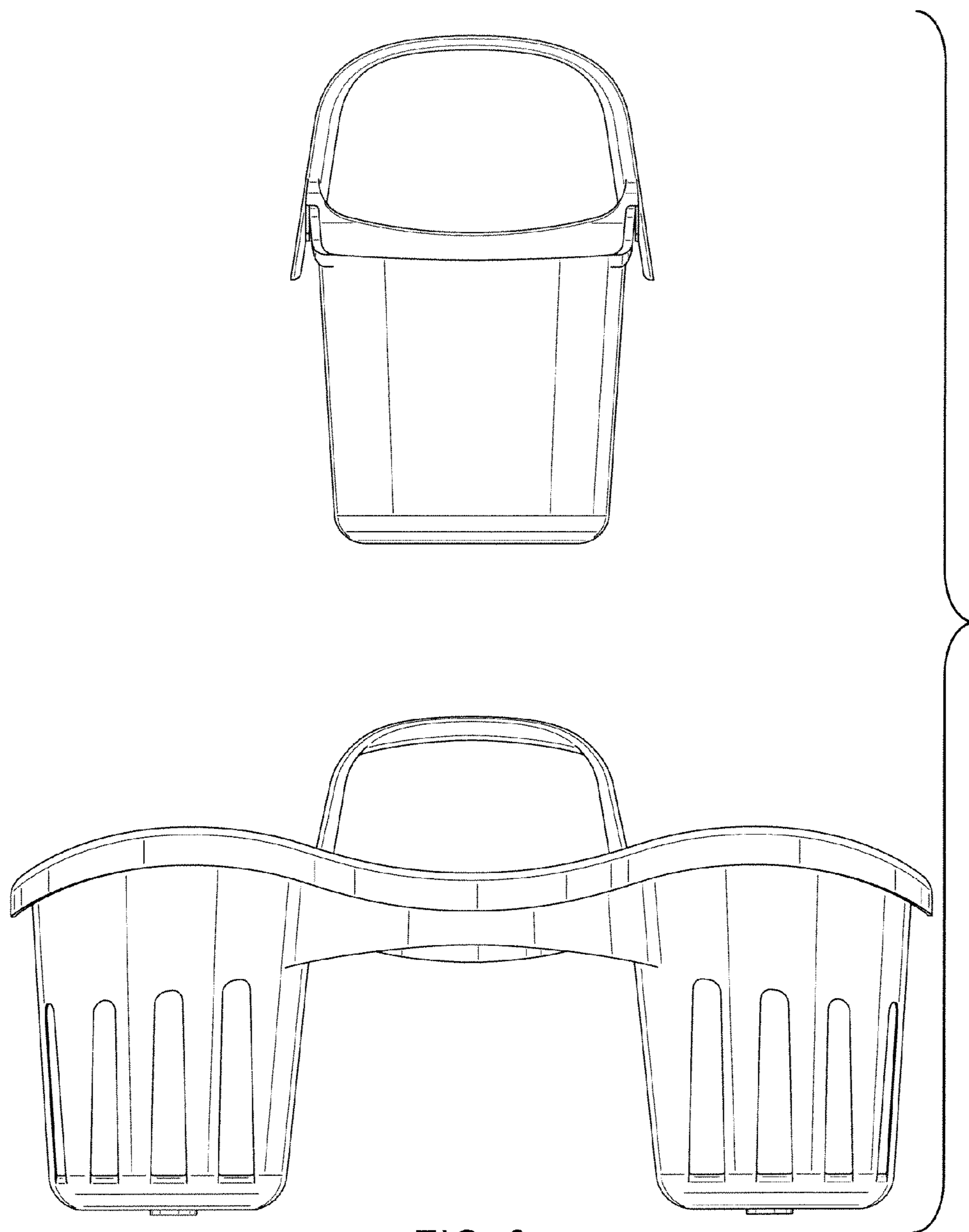


FIG. 3

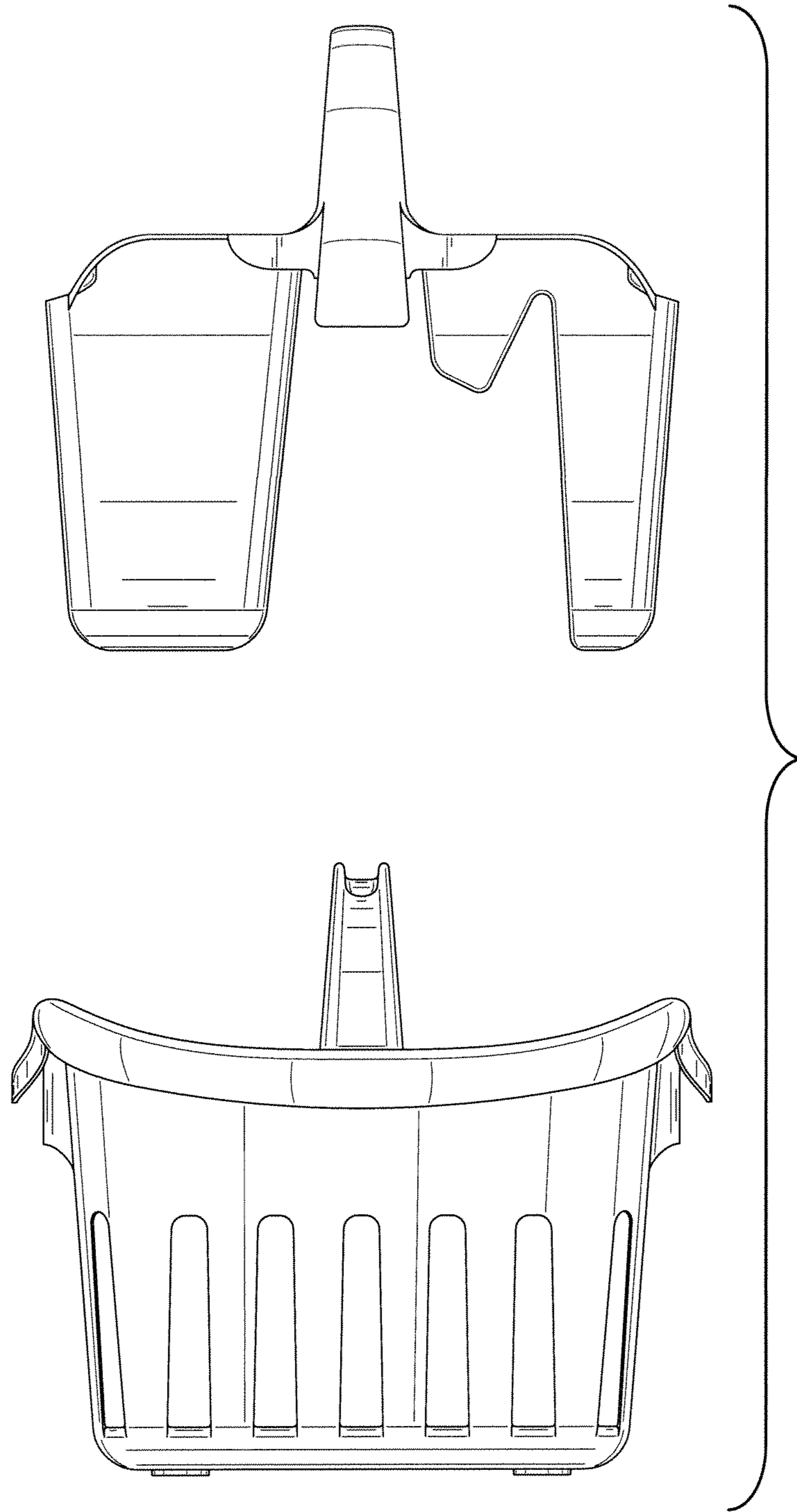


FIG. 4

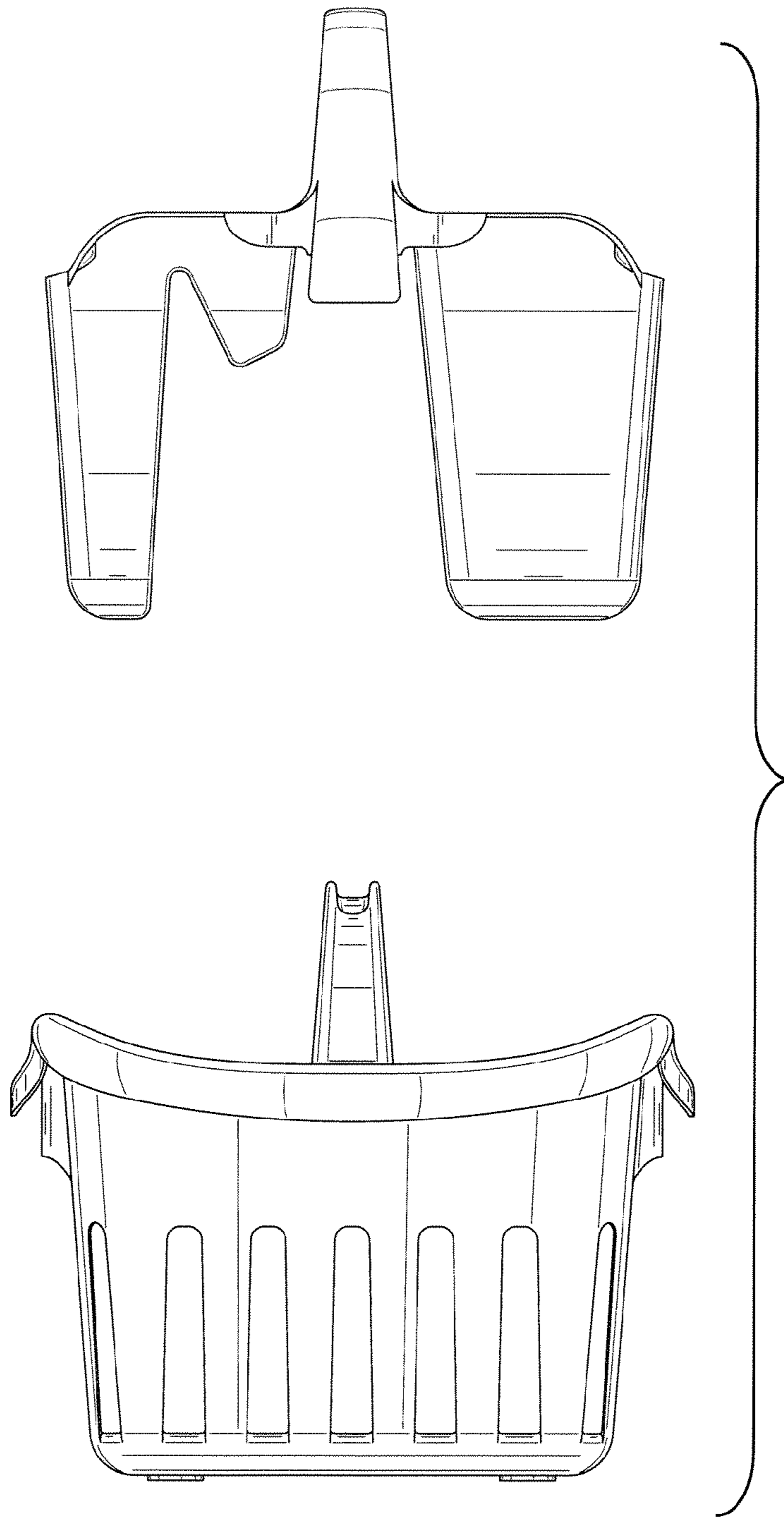


FIG. 5

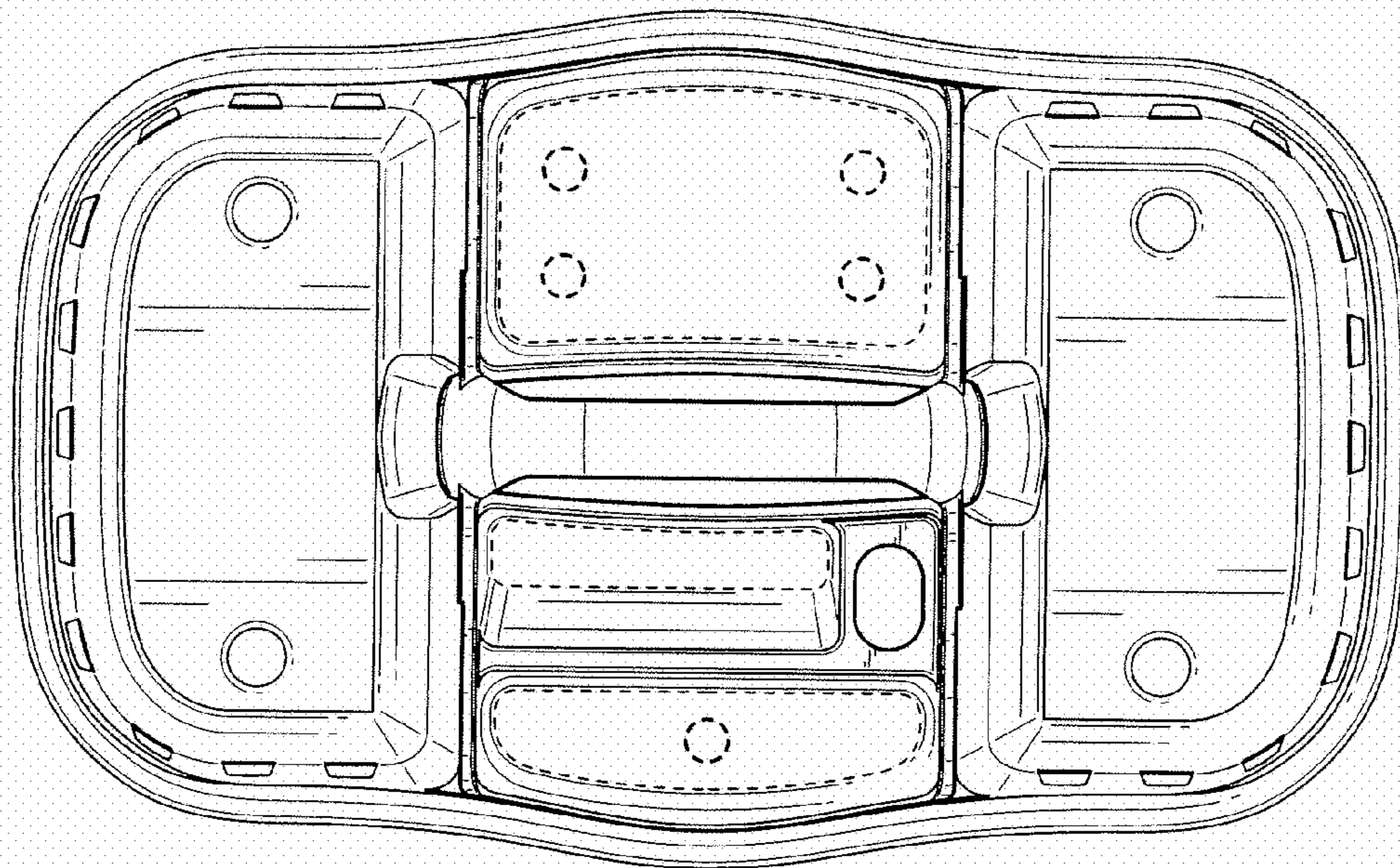


FIG. 6

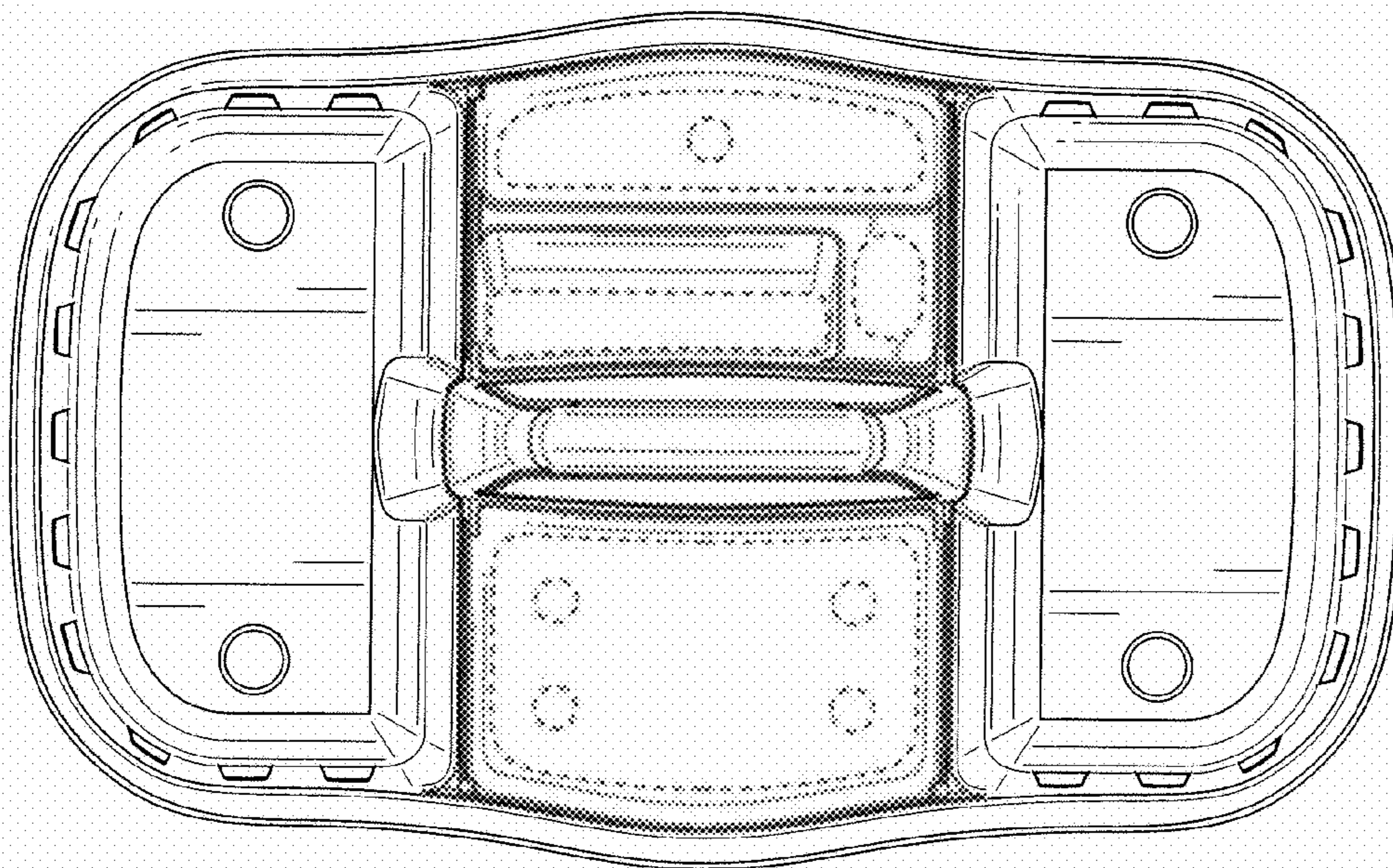


FIG. 7