

US00D725909S

(12) **United States Design Patent**  
**Oxer**

(10) **Patent No.:** **US D725,909 S**

(45) **Date of Patent:** **\*\* Apr. 7, 2015**

(54) **CONTAINER**

(76) Inventor: **Heather Oxer**, Jupiter, FL (US)

(\*\*) Term: **14 Years**

(21) Appl. No.: **29/423,792**

(22) Filed: **Jun. 5, 2012**

(51) **LOC (10) Cl.** ..... **03-01**

(52) **U.S. Cl.**  
USPC ..... **D3/304**

(58) **Field of Classification Search**

CPC .... A45C 13/083; A47F 1/04; B65D 71/0003;  
B65D 2543/00222; B65D 2543/00296

USPC ..... D3/304, 307-308, 312; D7/514-518,  
D7/619.2, 623, 628; D9/414, 424, 428,  
D9/519, 549, 600-601, 614, 616-617,  
D9/625; 215/400; 206/457, 527; 220/890

See application file for complete search history.

D412,369 S *	7/1999	Kumar	.....	D26/16
6,270,233 B1	8/2001	Holland		
D462,794 S *	9/2002	Kumar	.....	D26/11
D463,046 S *	9/2002	Kumar	.....	D26/11
D525,837 S *	8/2006	Orozco et al.	.....	D7/710
D547,526 S *	7/2007	Perkins	.....	D1/105
D559,420 S *	1/2008	Peng	.....	D26/47
D559,727 S *	1/2008	Garrison	.....	D11/121
D615,451 S *	5/2010	Kurtz	.....	D11/151
D623,555 S *	9/2010	Reithlingshoefer et al.	.....	D11/125
D628,863 S *	12/2010	Zeilinger	.....	D7/676
D643,880 S *	8/2011	Broen et al.	.....	D19/86
D656,697 S *	3/2012	McNeil	.....	D32/53
D663,407 S *	7/2012	Browder	.....	D23/367
D663,818 S *	7/2012	Browder	.....	D23/366
D682,681 S *	5/2013	Oxer	.....	D9/432
D685,901 S *	7/2013	Browder	.....	D23/367
D693,406 S *	11/2013	Hay	.....	D20/3
D695,347 S *	12/2013	Hay	.....	D20/3
D697,136 S *	1/2014	Hay	.....	D20/3

(Continued)

Primary Examiner — Kelley Donnelly

(74) Attorney, Agent, or Firm — Seyfarth Shaw LLP

(56) **References Cited**

**U.S. PATENT DOCUMENTS**

2,428,133 A *	9/1947	Yogan	.....	40/540
D204,464 S *	4/1966	Green	.....	D21/623
3,244,872 A *	4/1966	McCormick	.....	40/540
4,714,985 A *	12/1987	Hickey	.....	362/154
D296,421 S *	6/1988	Rayner	.....	D9/779
4,802,071 A *	1/1989	Schuster	.....	362/154
4,926,296 A *	5/1990	Blume et al.	.....	362/156
D310,023 S *	8/1990	Dembiczak et al.	.....	D9/625
D317,254 S *	6/1991	Dembiczak et al.	.....	D9/625
5,222,802 A *	6/1993	Beck	.....	362/156
D337,614 S *	7/1993	Turner	.....	D19/82
D345,621 S *	3/1994	McLaughlin, II	.....	D26/127
D351,779 S *	10/1994	Allison	.....	D3/271.3
D386,341 S *	11/1997	Walker	.....	D6/525
D391,154 S *	2/1998	Kramer	.....	D3/271.3
D396,826 S *	8/1998	Weder et al.	.....	D11/164
5,911,501 A *	6/1999	Katz	.....	362/267

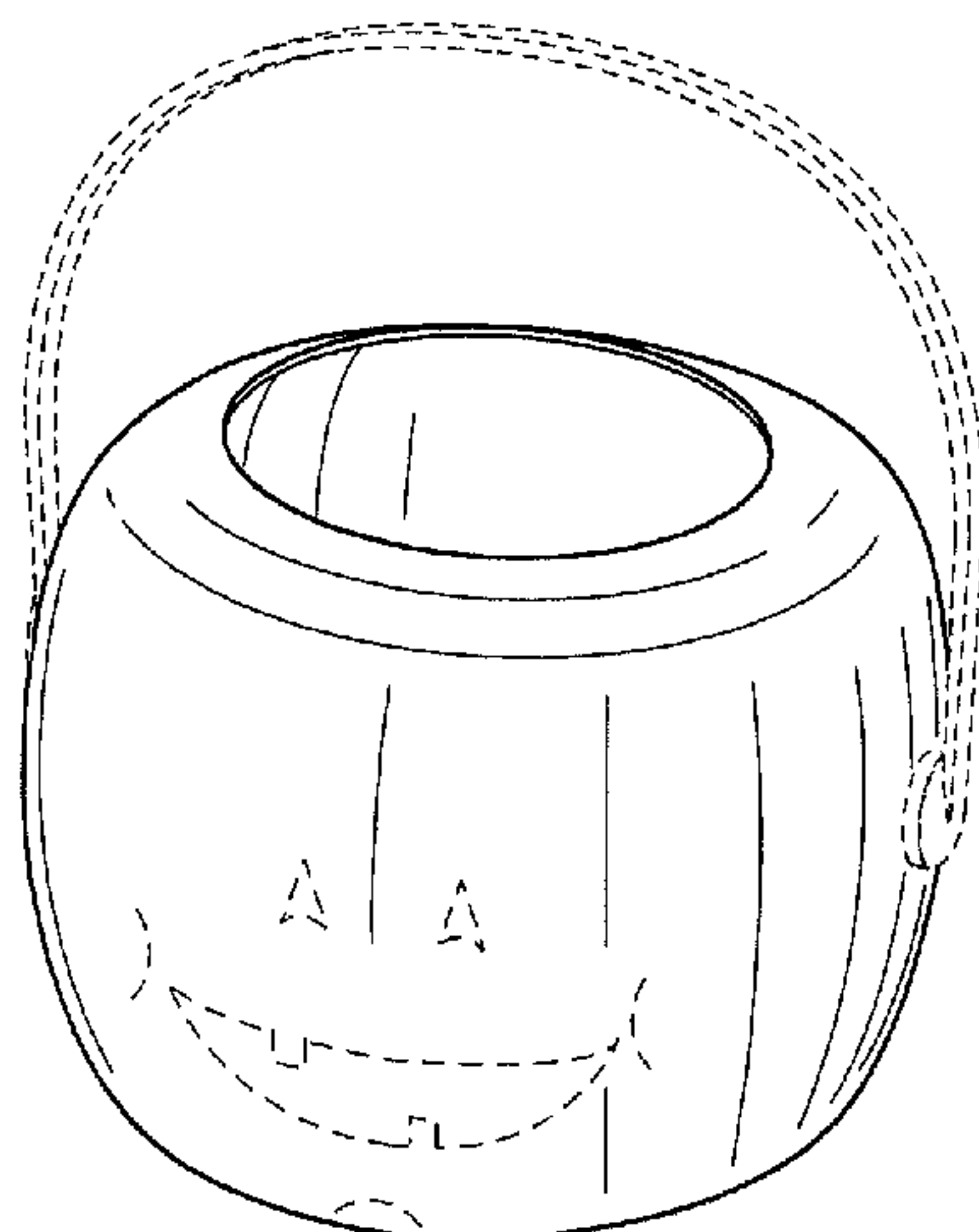
(57) **CLAIM**

The ornamental design for a container, as shown and described.

**DESCRIPTION**

FIG. 1 is a top perspective view of a container;  
FIG. 2 is a top view of the container shown in FIG. 1;  
FIG. 3 is a bottom view of the container shown in FIG. 1;  
FIG. 4 is a front view of the container shown in FIG. 1;  
FIG. 5 is a rear view of the container shown in FIG. 1;  
FIG. 6 is a left view of the container shown in FIG. 1; and,  
FIG. 7 is a right view of the container shown in FIG. 1.  
The broken lines illustrate environmental subject matter only and form no part of the claimed design.

**1 Claim, 2 Drawing Sheets**



# US D725,909 S

Page 2

---

(56)

## References Cited

### U.S. PATENT DOCUMENTS

D702,558 S \* 4/2014 Sanders ..... D9/625  
D709,730 S \* 7/2014 Eckart et al. .... D7/396.4  
D718,571 S \* 12/2014 Eckart et al. .... D7/396.1

2003/0156415 A1\* 8/2003 Blatherwick ..... 362/293  
2005/0045513 A1\* 3/2005 Won et al. .... 206/457  
2014/0190858 A1\* 7/2014 Schramm ..... 206/457

\* cited by examiner

Fig. 1

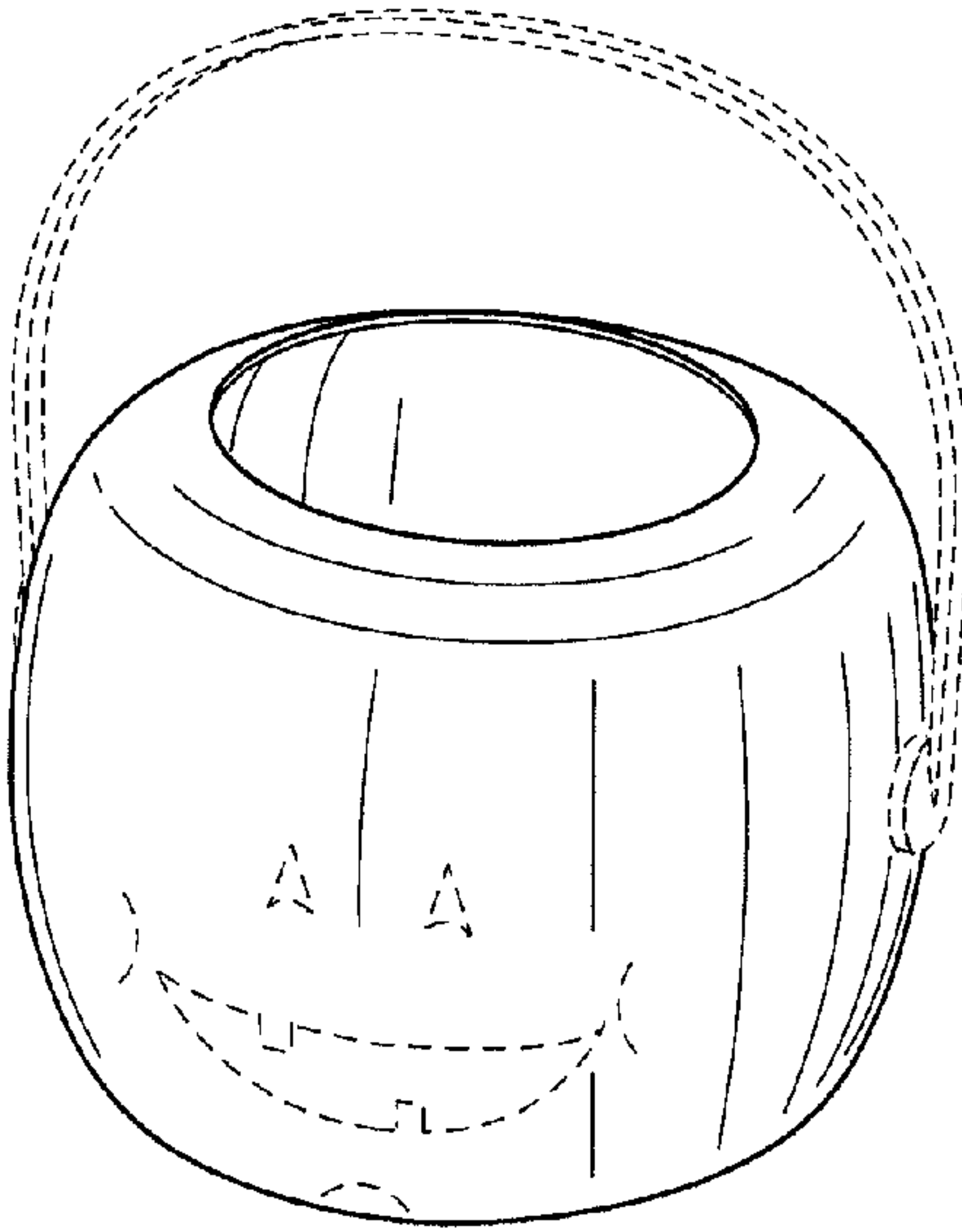


Fig. 2

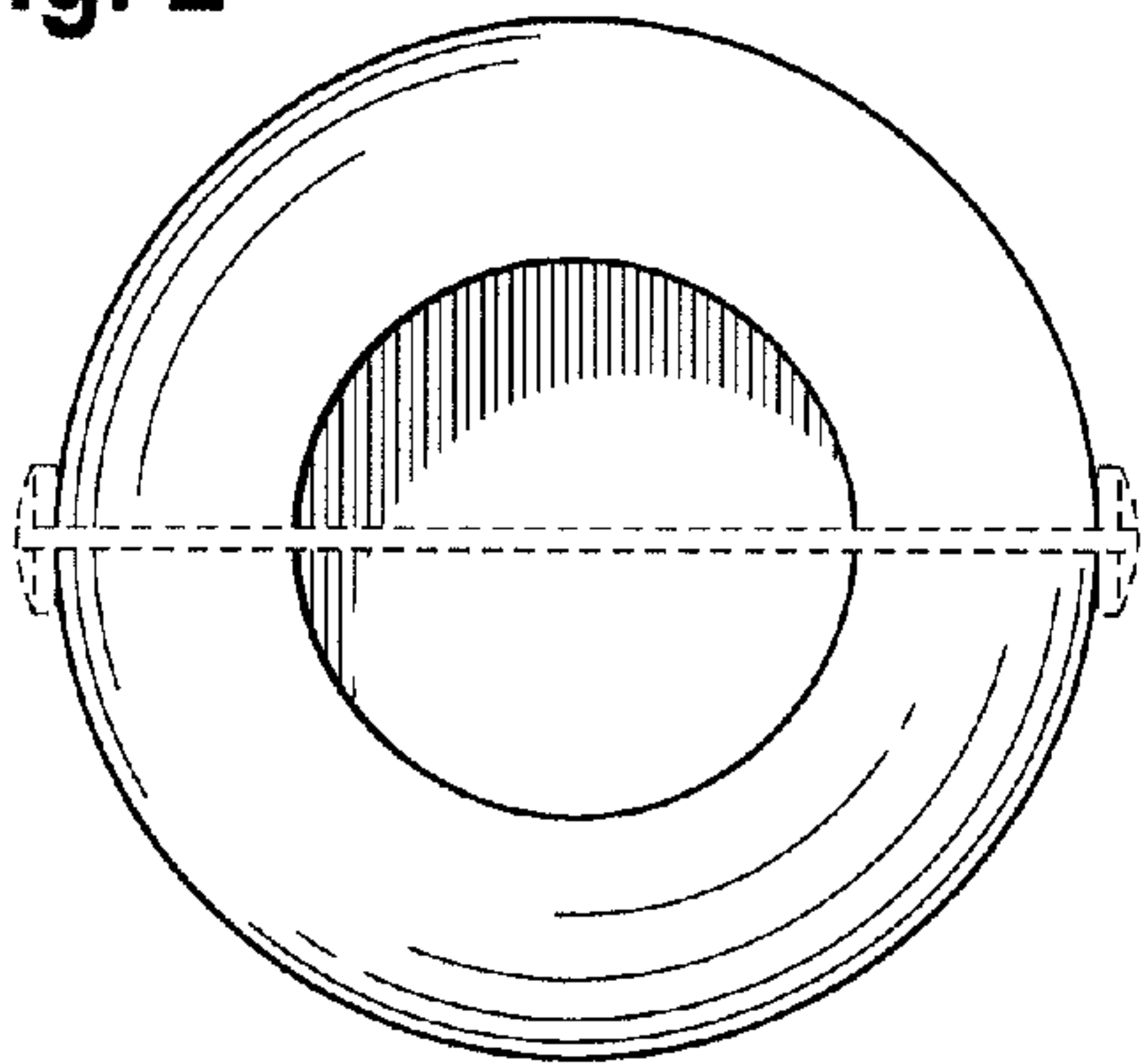


Fig. 3

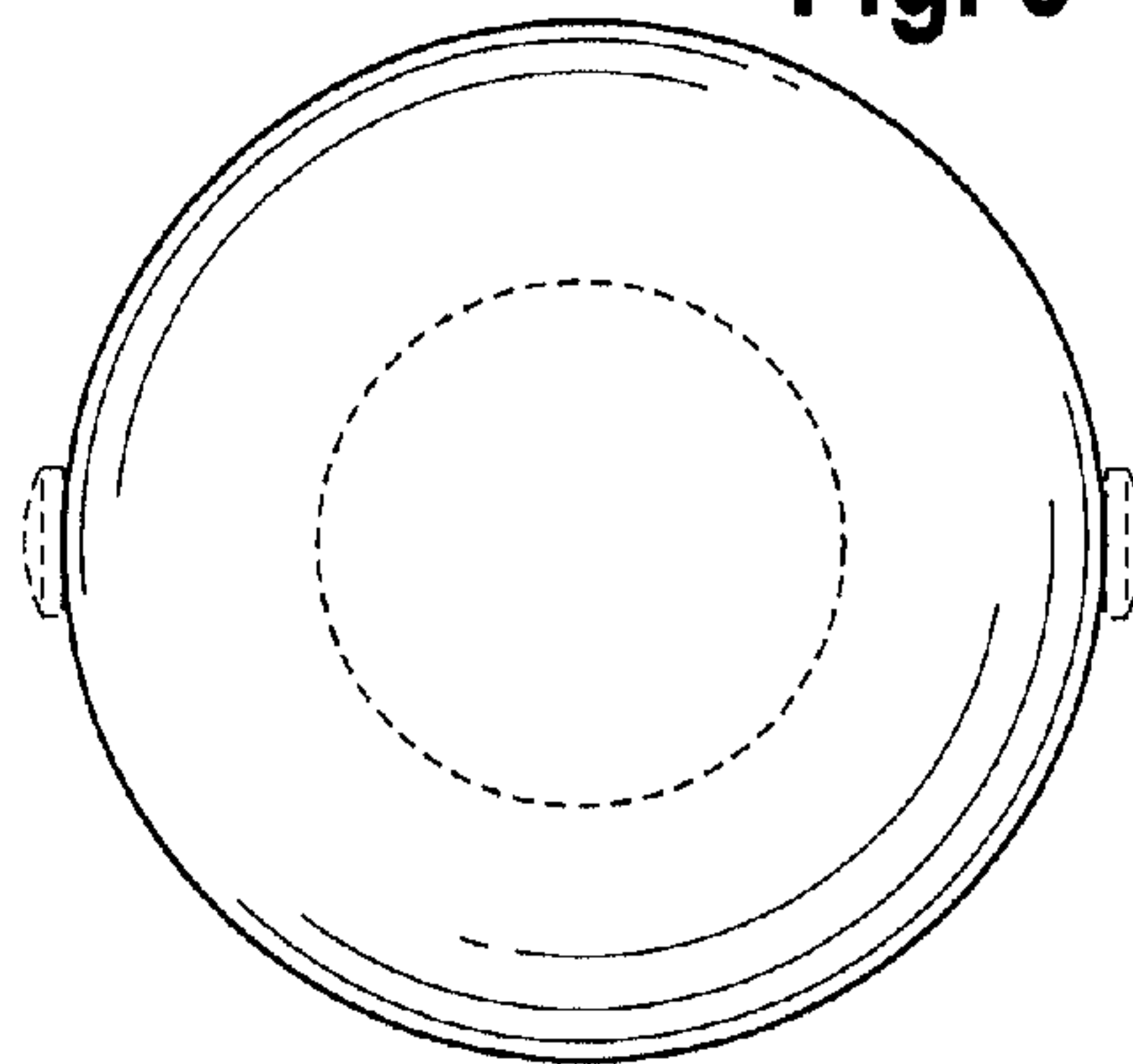


Fig. 4

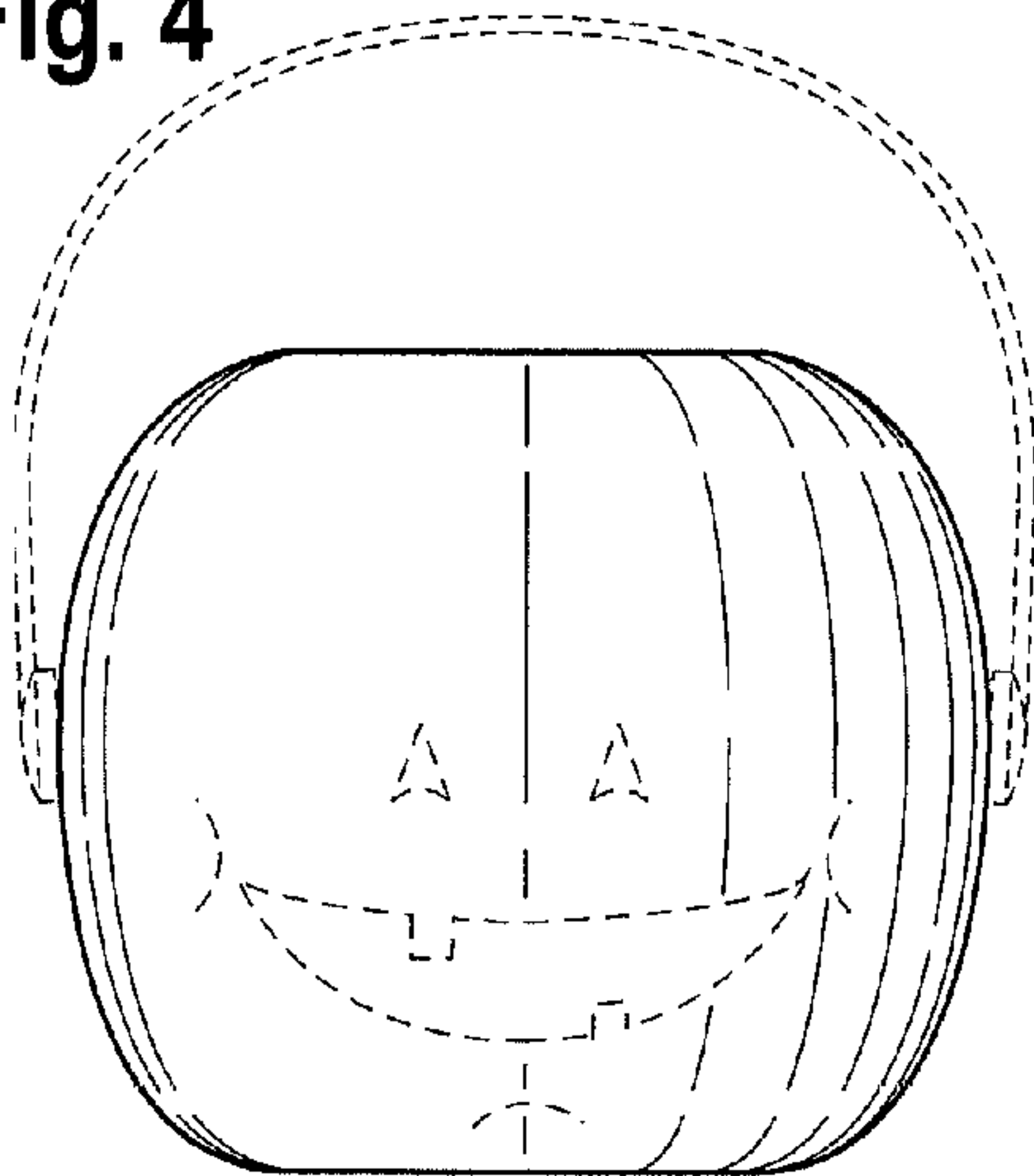
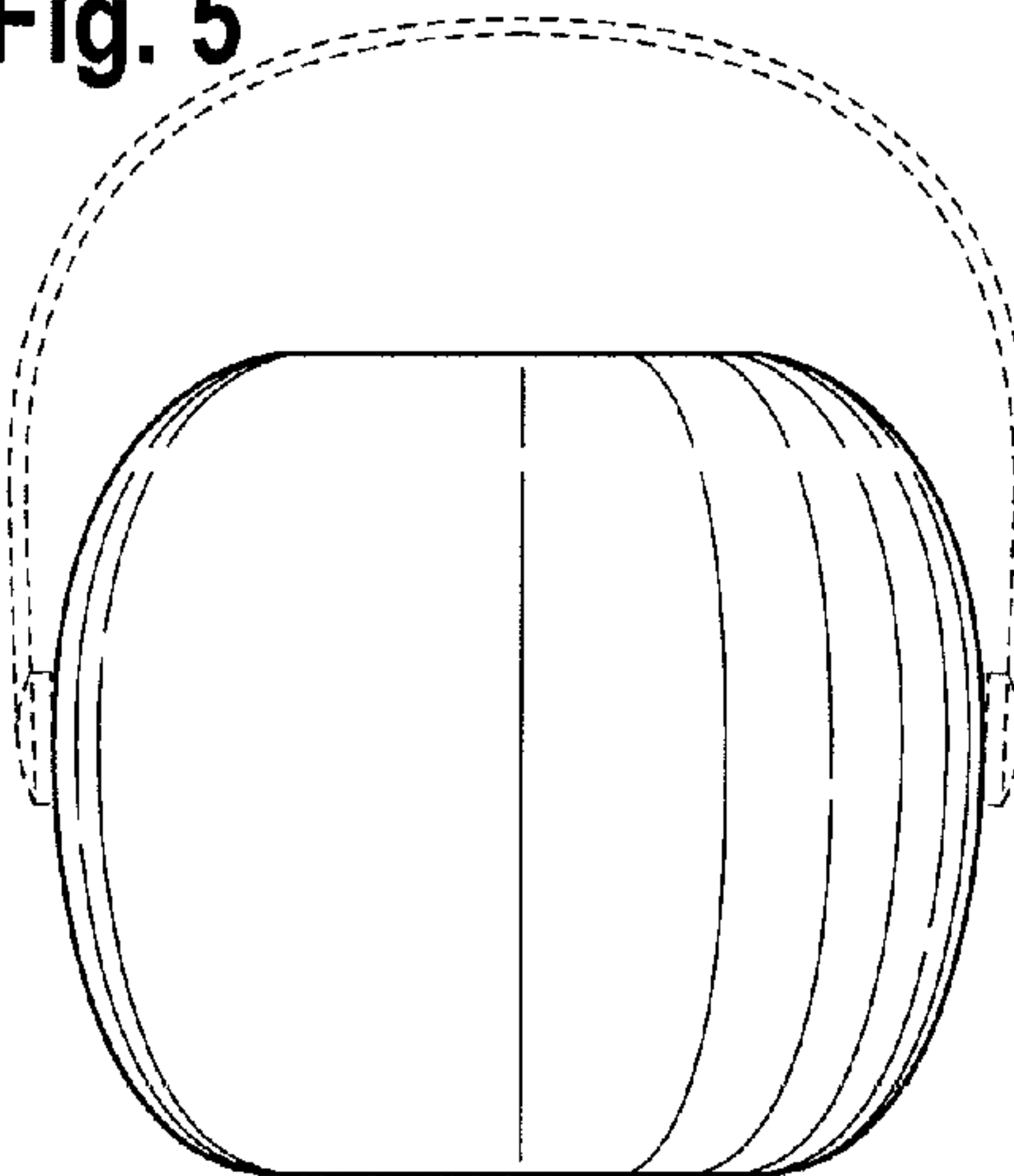
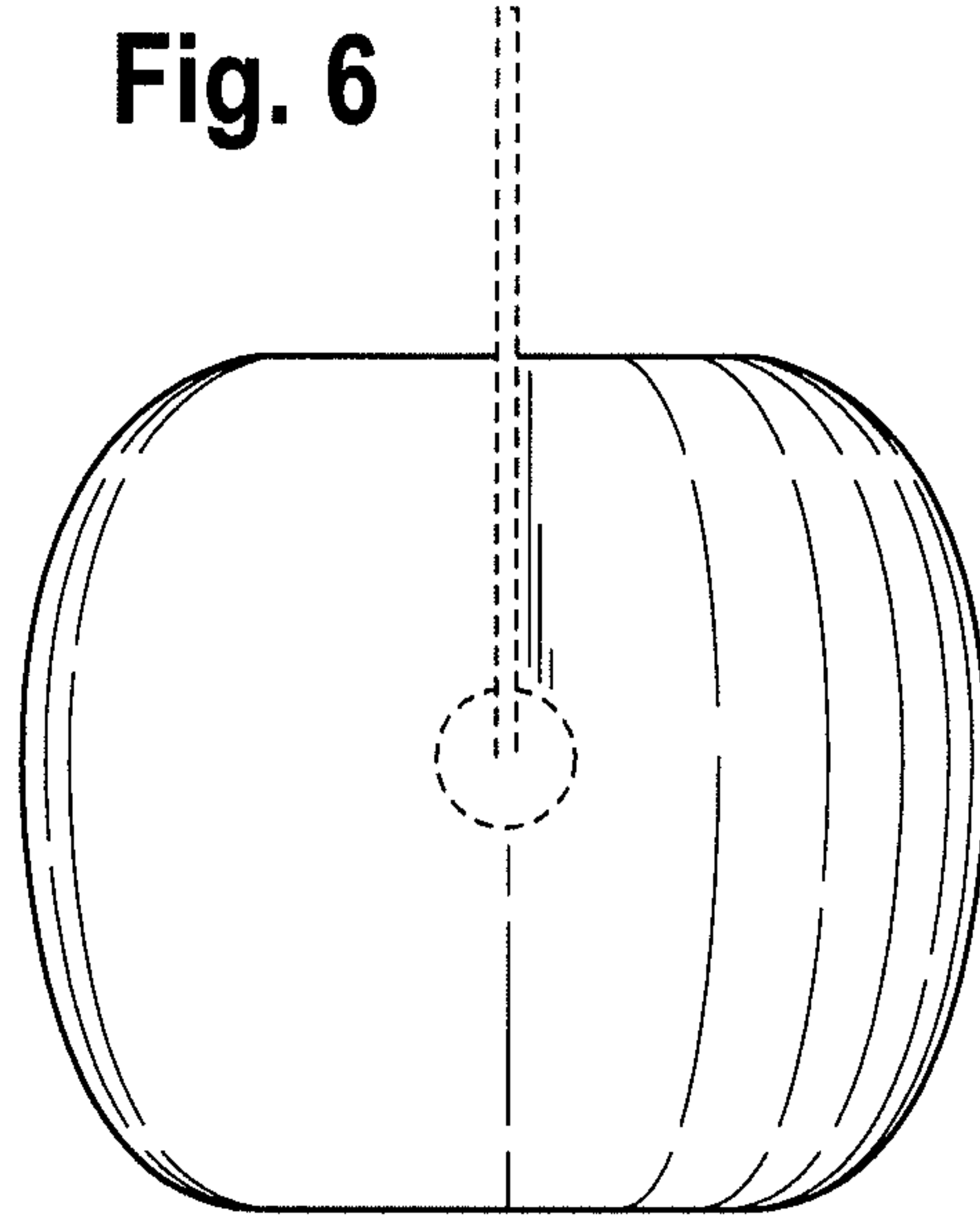


Fig. 5



**Fig. 6**



**Fig. 7**

