



US00D725908S

(12) **United States Design Patent**
Zwetzig

(10) **Patent No.:** **US D725,908 S**

(45) **Date of Patent:** **** Apr. 7, 2015**

- (54) **CARRYING BAG**
- (71) Applicant: **Thule Organization Solutions, Inc.**,
Niwot, CO (US)
- (72) Inventor: **Nathan Roger Zwetzig**, Westminster,
CO (US)
- (73) Assignee: **Thule Organization Solutions, Inc.**,
Niwot, CO (US)

D530,089	S	*	10/2006	Silverman	D3/287
D591,504	S	*	5/2009	Hermann	D3/243
D624,312	S	*	9/2010	Chu et al.	D3/243
D651,794	S	*	1/2012	Hargens et al.	D3/232
D654,267	S	*	2/2012	Littleton	D3/243
8,157,068	B2	*	4/2012	Sapyta	190/109
D681,338	S	*	5/2013	Holloway et al.	D3/318
D683,956	S	*	6/2013	Leung	D3/243
D690,095	S	*	9/2013	Garcia et al.	D3/217
D696,014	S	*	12/2013	Ng	D3/243
D703,431	S	*	4/2014	Taylor	D3/243
2003/0234269	A1	*	12/2003	Shamas	224/576

(**) Term: **14 Years**

(21) Appl. No.: **29/485,080**

(22) Filed: **Mar. 14, 2014**

(51) **LOC (10) Cl.** **03-01**

(52) **U.S. Cl.**
USPC **D3/283**; D3/287; D3/290

(58) **Field of Classification Search**
USPC D3/216, 217, 232, 231, 276, 289, 226,
D3/225, 230, 290, 291, 299, 301, 218, 304,
D3/307, 308, 309, 283, 274, 316, 215, 243,
D3/279, 280; D7/605, 607, 705, 706, 113,
D7/114; D34/7, 11; 383/30, 31, 28, 16, 6;
224/600-659, 275; 150/100, 103, 104,
150/105, 106, 107, 108, 109, 110, 118,
150/119; 190/100-127, 903, 902, 18 A;
206/316.1, 316.2, 316.3

See application file for complete search history.

(56) **References Cited**

U.S. PATENT DOCUMENTS

D292,747	S	*	11/1987	Allen	D3/287
D486,031	S	*	2/2004	Hillman	D6/633
D505,258	S	*	5/2005	Bird et al.	D3/217

OTHER PUBLICATIONS

U.S. Appl. No. 29/468,182, filed Mar. 26, 2014, Zwetzig.
U.S. Appl. No. 29/488,008, filed Apr. 15, 2014, Zwetzig.

* cited by examiner

Primary Examiner — Jennifer Rivard

Assistant Examiner — April Rivas

(74) *Attorney, Agent, or Firm* — Sheridan Ross P.C.

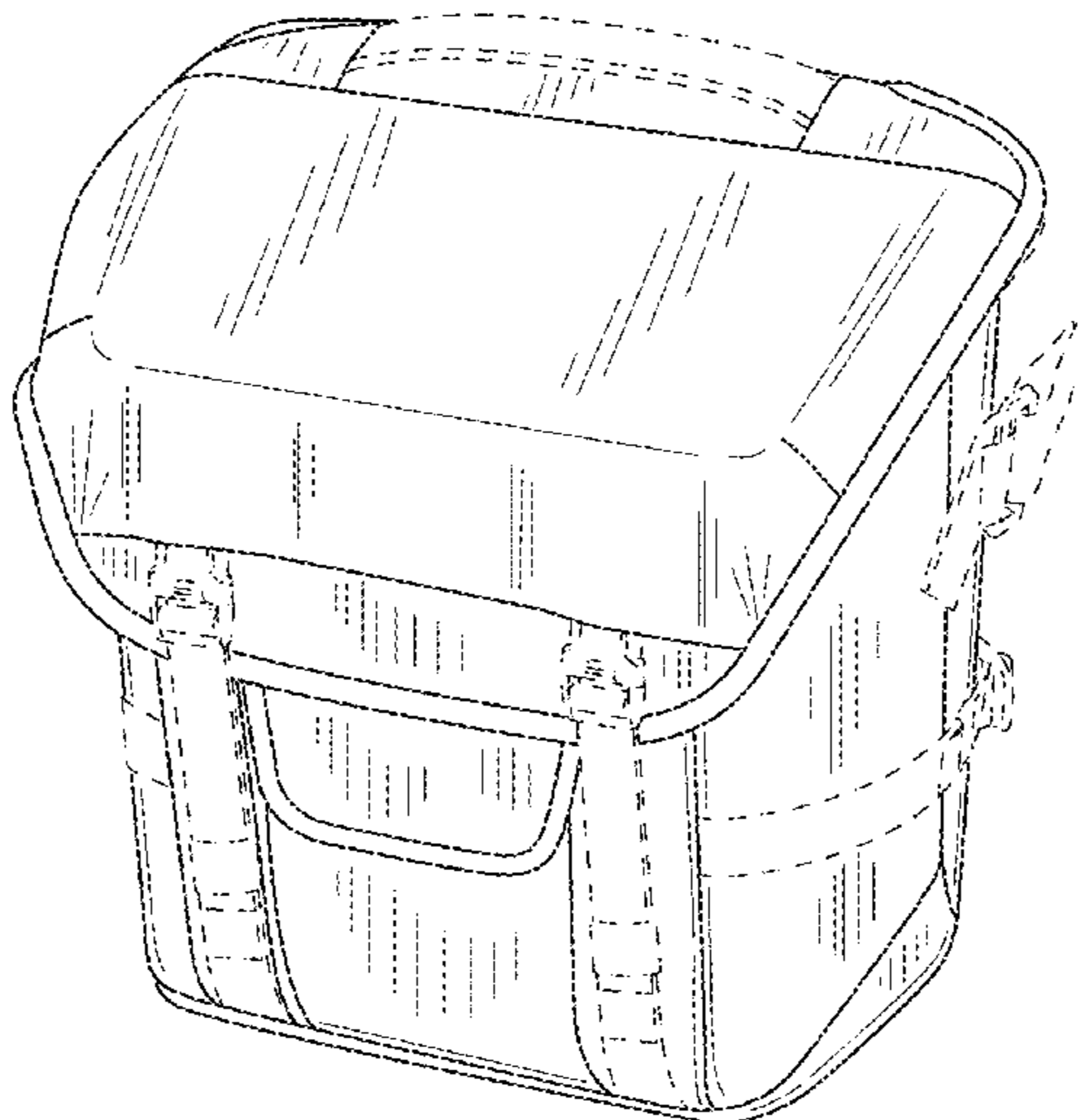
(57) **CLAIM**

The ornamental design for a carrying bag, as shown and described.

DESCRIPTION

FIG. 1 is a front perspective view of the carrying bag;
FIG. 2 is a front elevation view thereof;
FIG. 3 is a rear elevation view thereof;
FIG. 4 is a right elevation view thereof;
FIG. 5 is a left elevation view thereof;
FIG. 6 is a top plan view thereof; and,
FIG. 7 is a bottom plan view thereof.
The broken lines illustrate portions of the carrying bag and form no part of the claimed design.

1 Claim, 6 Drawing Sheets



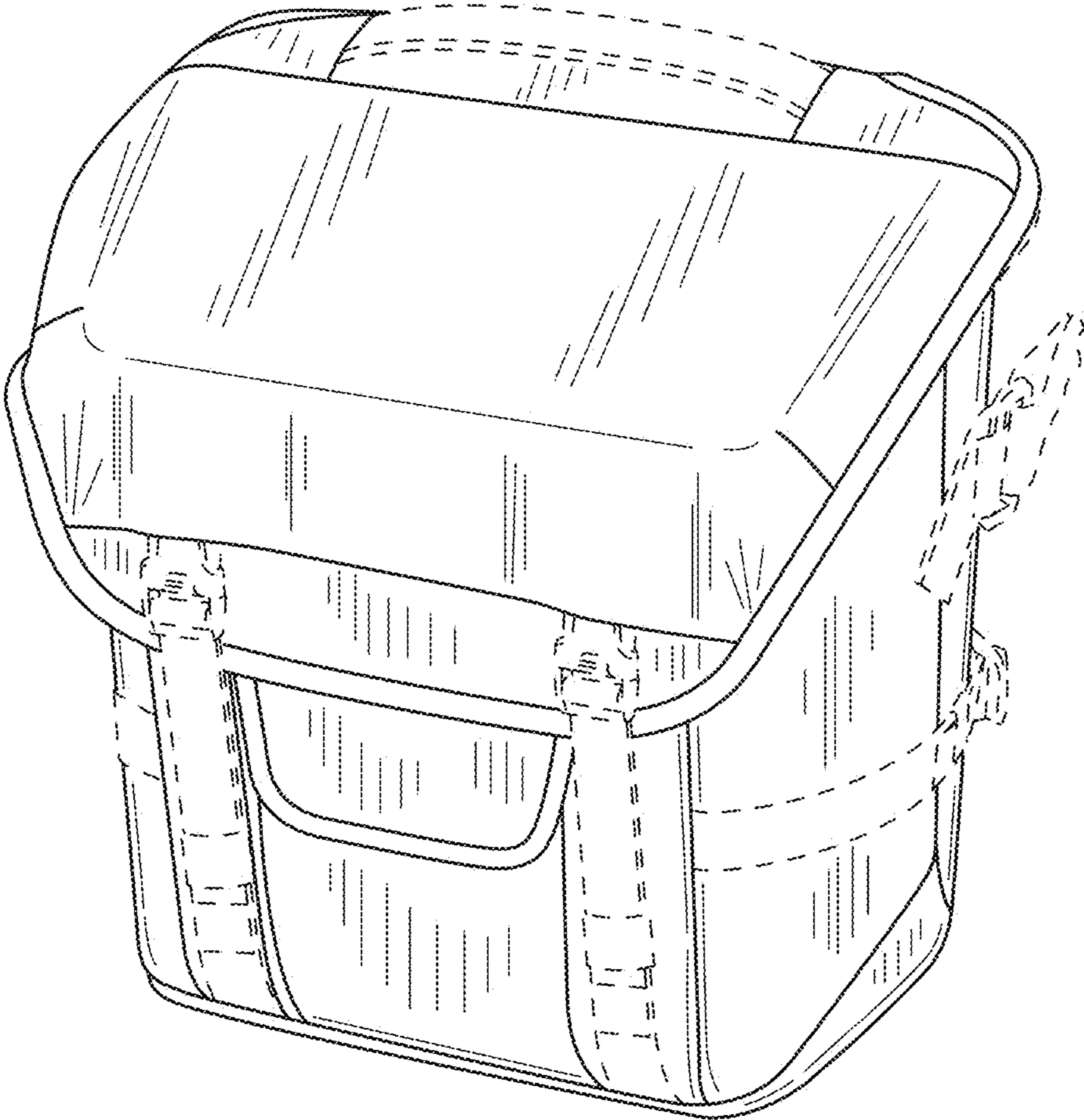


FIG.1

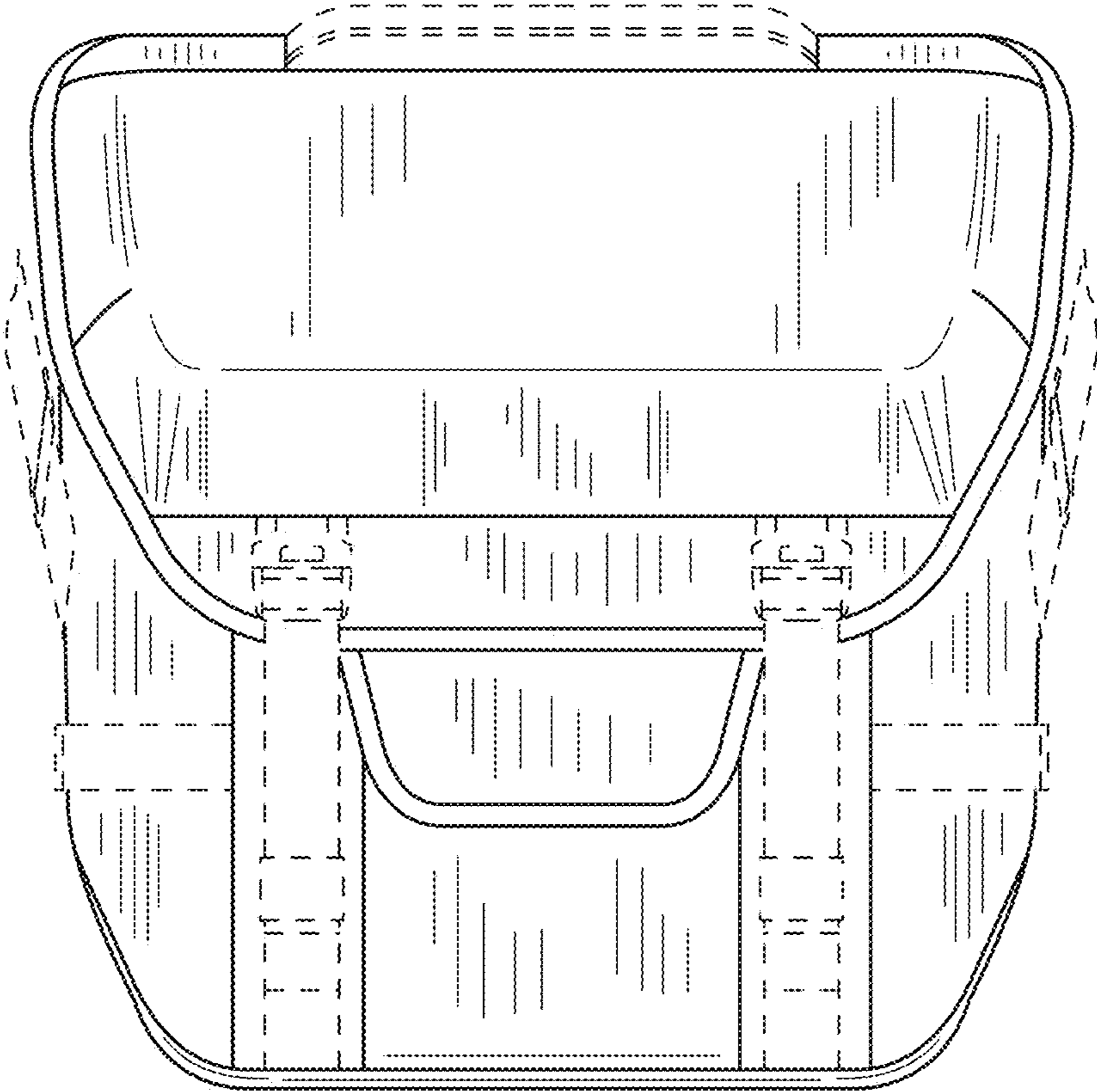


FIG.2

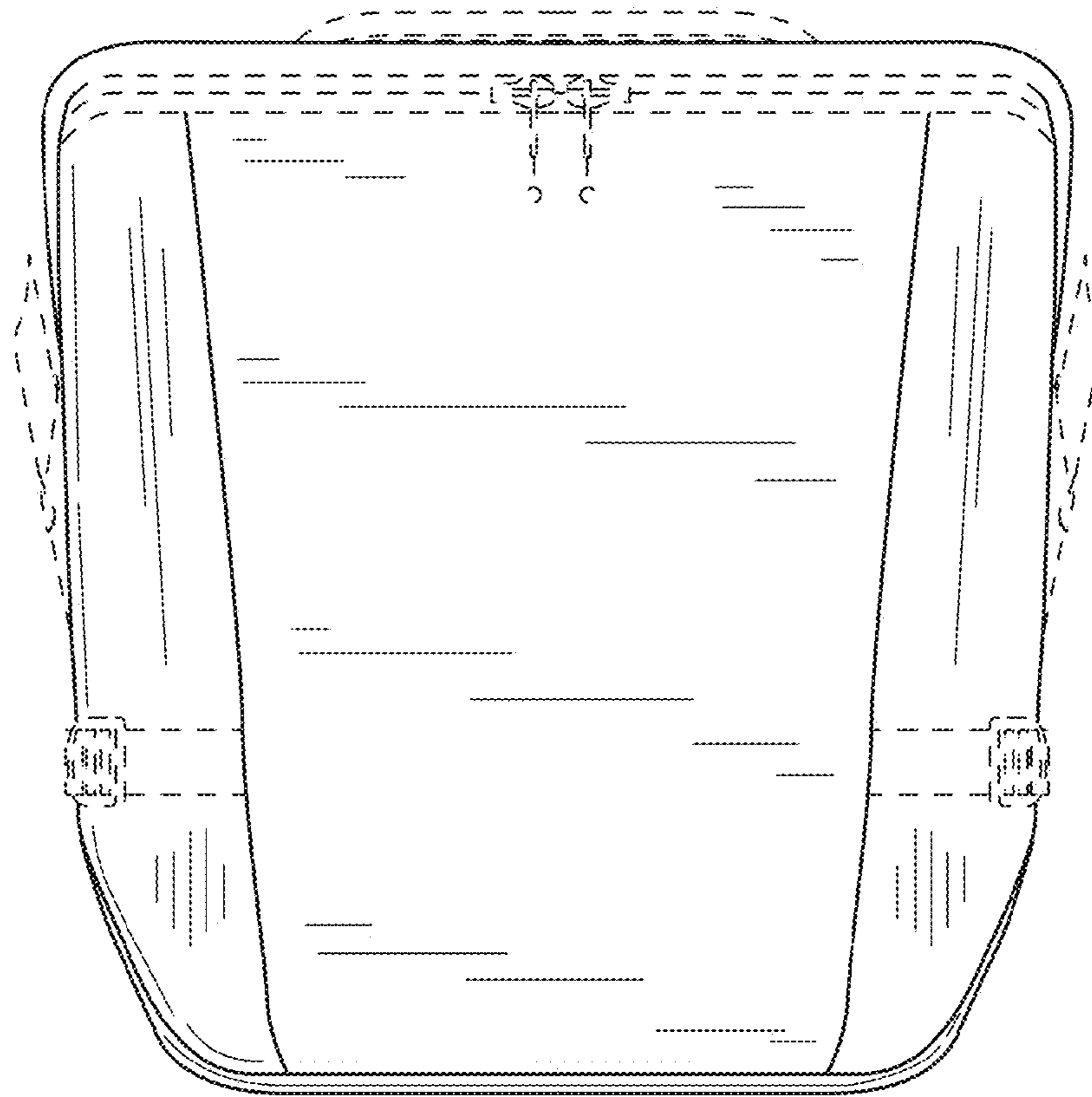


FIG.3

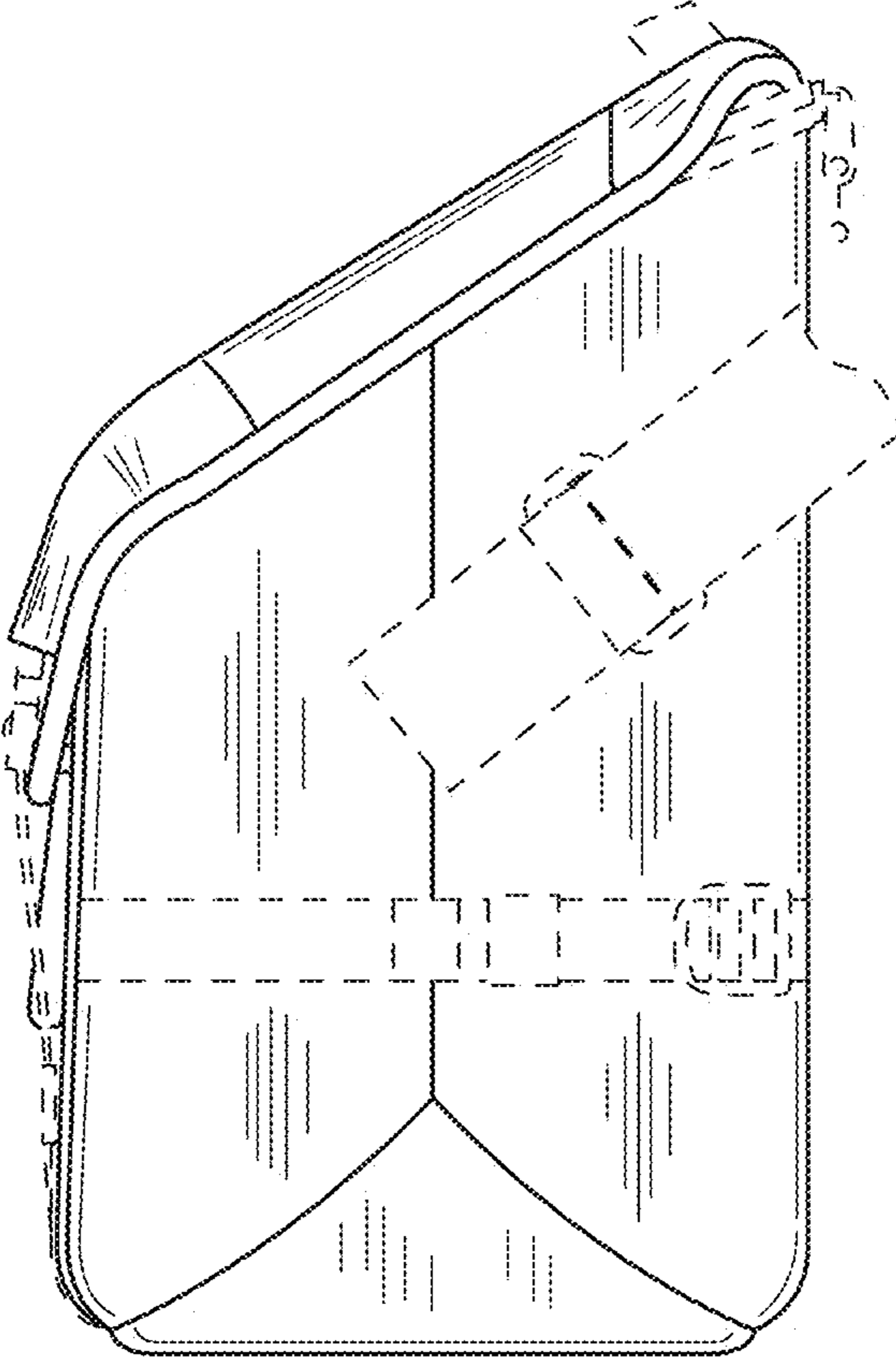


FIG.4

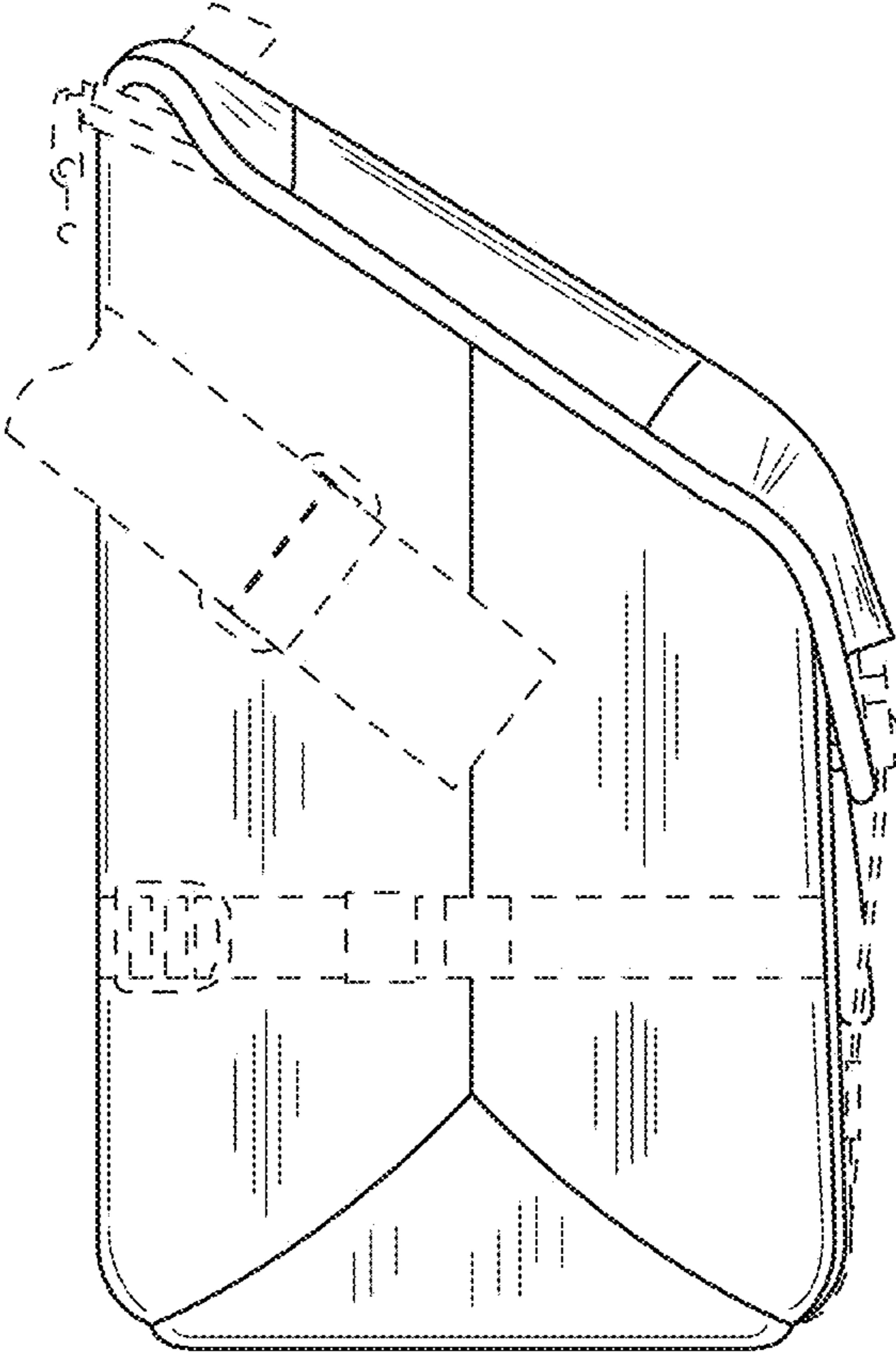


FIG.5

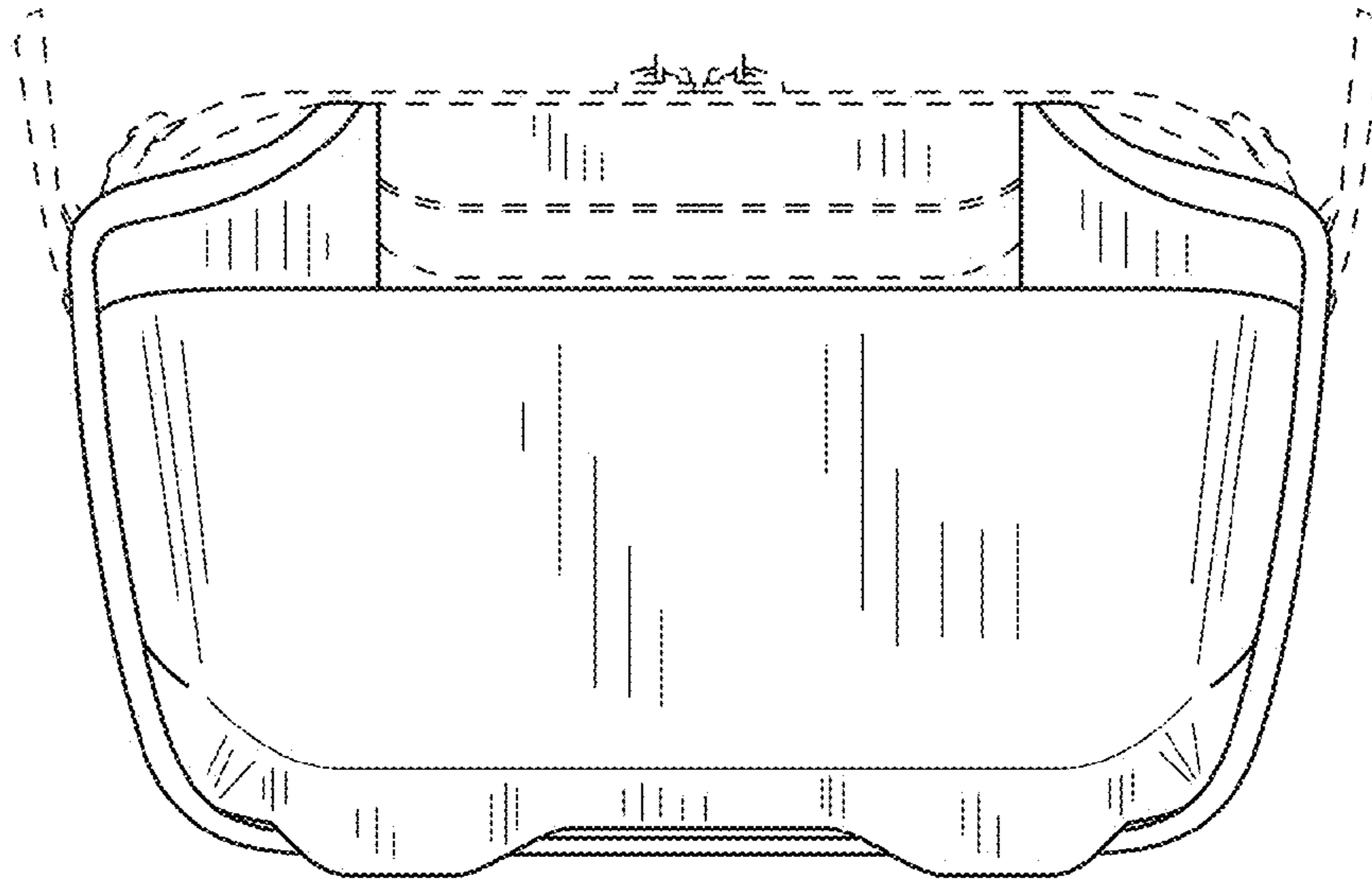


FIG. 6

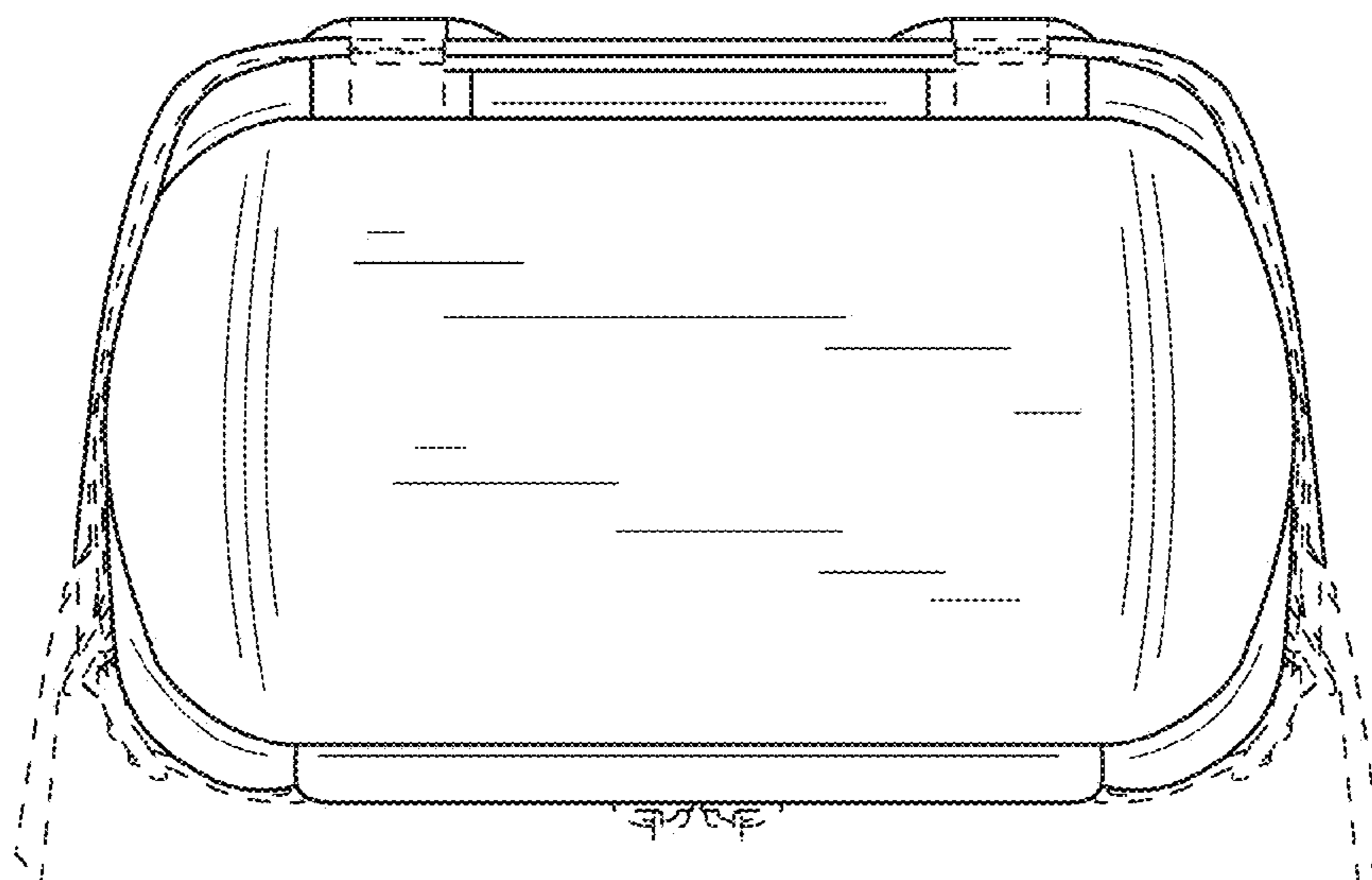


FIG. 7